



US00D689111S

(12) **United States Design Patent**  
**Kobayashi**

(10) **Patent No.:** **US D689,111 S**  
(45) **Date of Patent:** **\*\* Sep. 3, 2013**

(54) **DIGITAL CAMERA**

(75) Inventor: **Tatsuya Kobayashi**, Tokyo (JP)

(73) Assignee: **Nikon Corporation**, Tokyo (JP)

(\*\*) Term: **14 Years**

(21) Appl. No.: **29/413,494**

(22) Filed: **Feb. 16, 2012**

(30) **Foreign Application Priority Data**

Aug. 22, 2011 (JP) ..... 2011-018950

(51) **LOC (9) Cl.** ..... **16-01**

(52) **U.S. Cl.**  
USPC ..... **D16/202**

(58) **Field of Classification Search**  
USPC ..... D16/200, 202, 204, 208, 218, 219;  
348/373-376; 358/909.1; 396/25, 535, 540,  
396/541

See application file for complete search history.

(56) **References Cited**

**U.S. PATENT DOCUMENTS**

D555,689	S *	11/2007	Yoo et al.	.....	D16/218
D597,116	S *	7/2009	Watanabe	.....	D16/202
7,778,014	B2 *	8/2010	Saiki et al.	.....	361/679.01
D628,220	S *	11/2010	Lee	.....	D16/202
D635,604	S *	4/2011	Sul et al.	.....	D16/202
7,929,859	B2 *	4/2011	Saiki	.....	396/535
8,014,667	B2 *	9/2011	Saiki	.....	396/535

D649,572	S *	11/2011	Lee	.....	D16/202
D662,958	S *	7/2012	Fujita	.....	D16/202
D677,706	S *	3/2013	Nojima et al.	.....	D16/202

**OTHER PUBLICATIONS**

Material No. HJ22045717, press release on website [http://www.nikon.co.jp/news/2010/0915\\_s8100\\_03.htm](http://www.nikon.co.jp/news/2010/0915_s8100_03.htm), accepted by the Design Division of the Japanese Patent Office on Oct. 25, 2010.

\* cited by examiner

*Primary Examiner* — Adir Aronovich

(74) *Attorney, Agent, or Firm* — Wolf, Greenfield & Sacks, P.C.; Randy J. Pritzker

(57) **CLAIM**

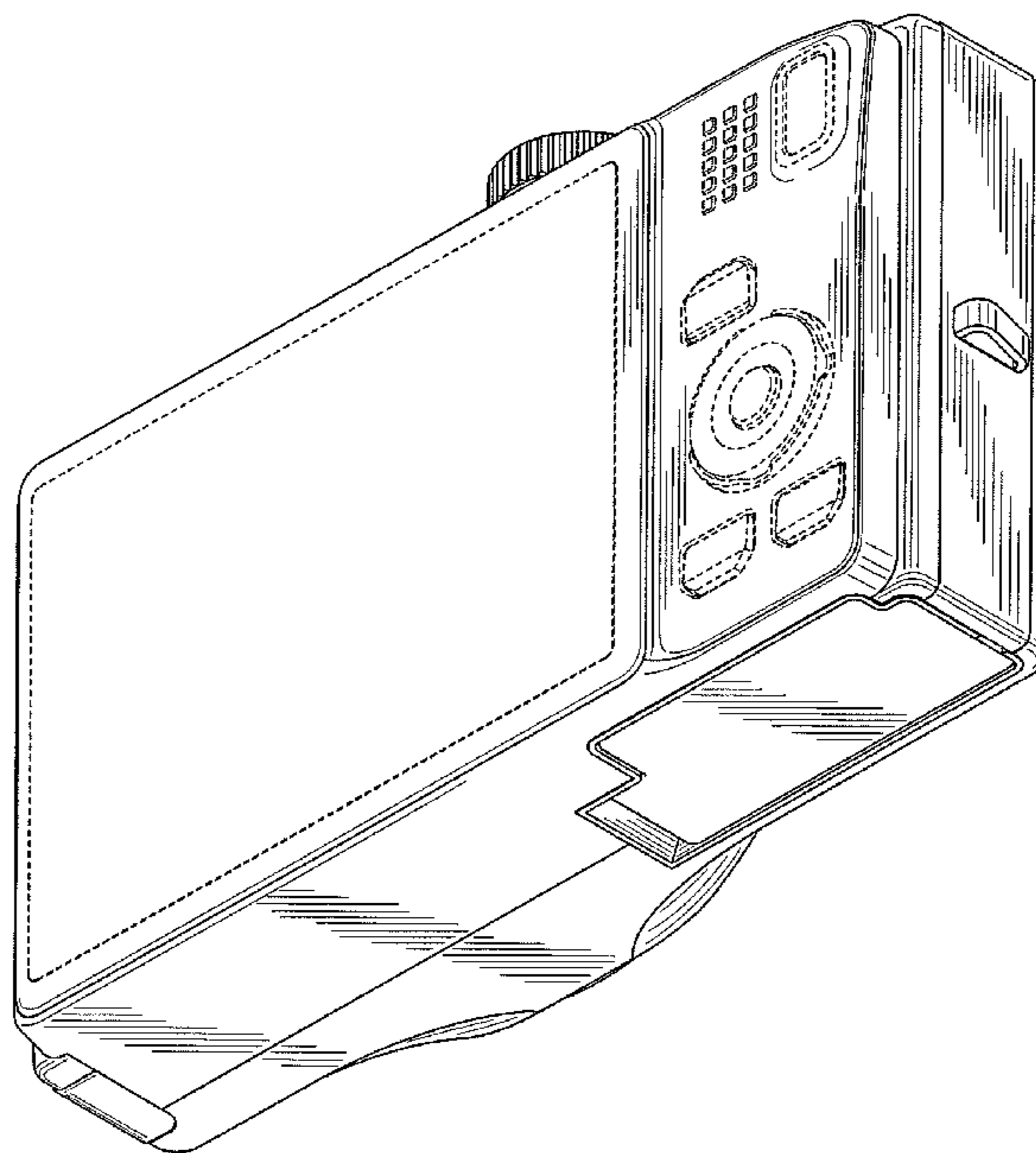
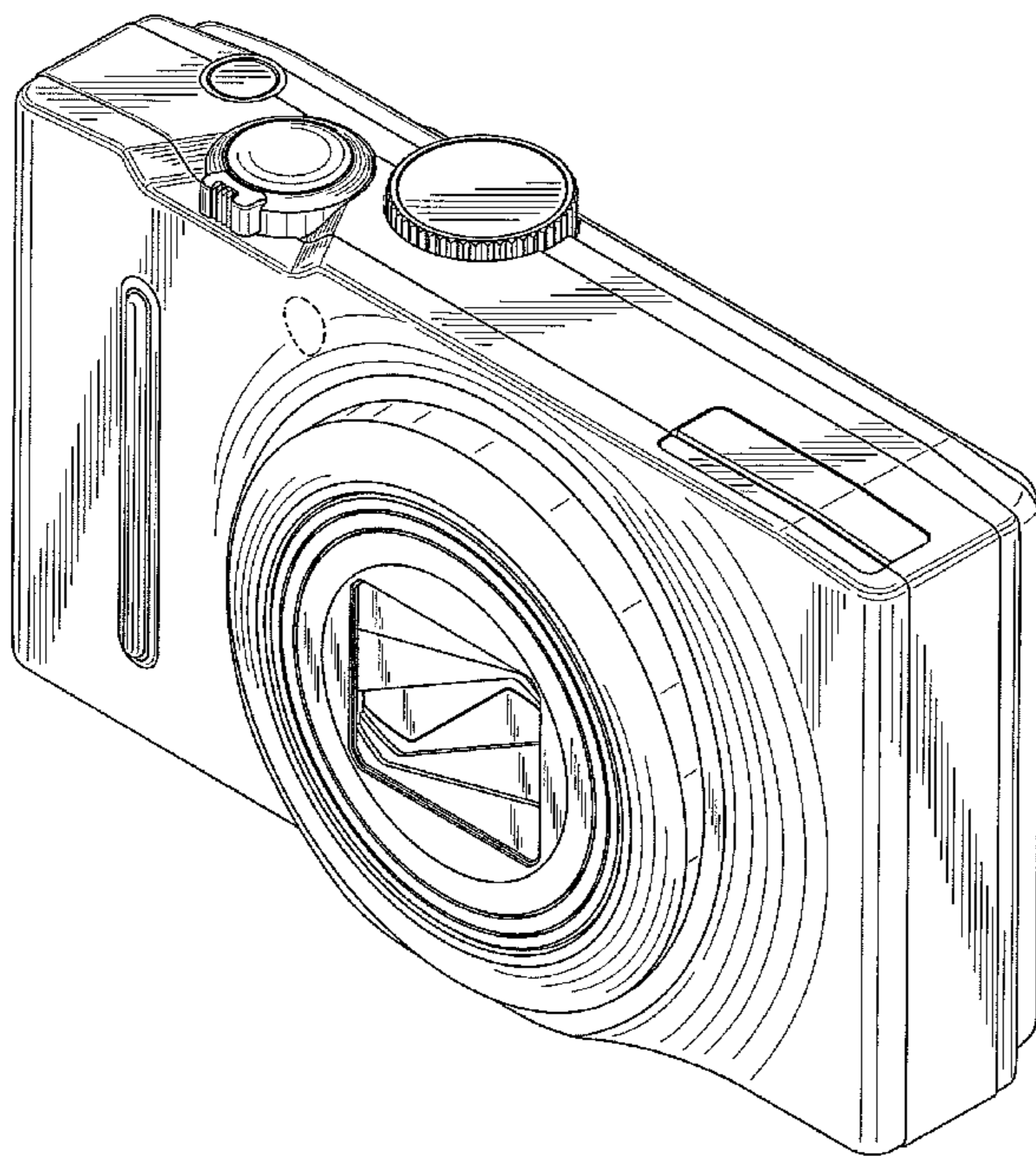
The ornamental design for a digital camera, as shown and described.

**DESCRIPTION**

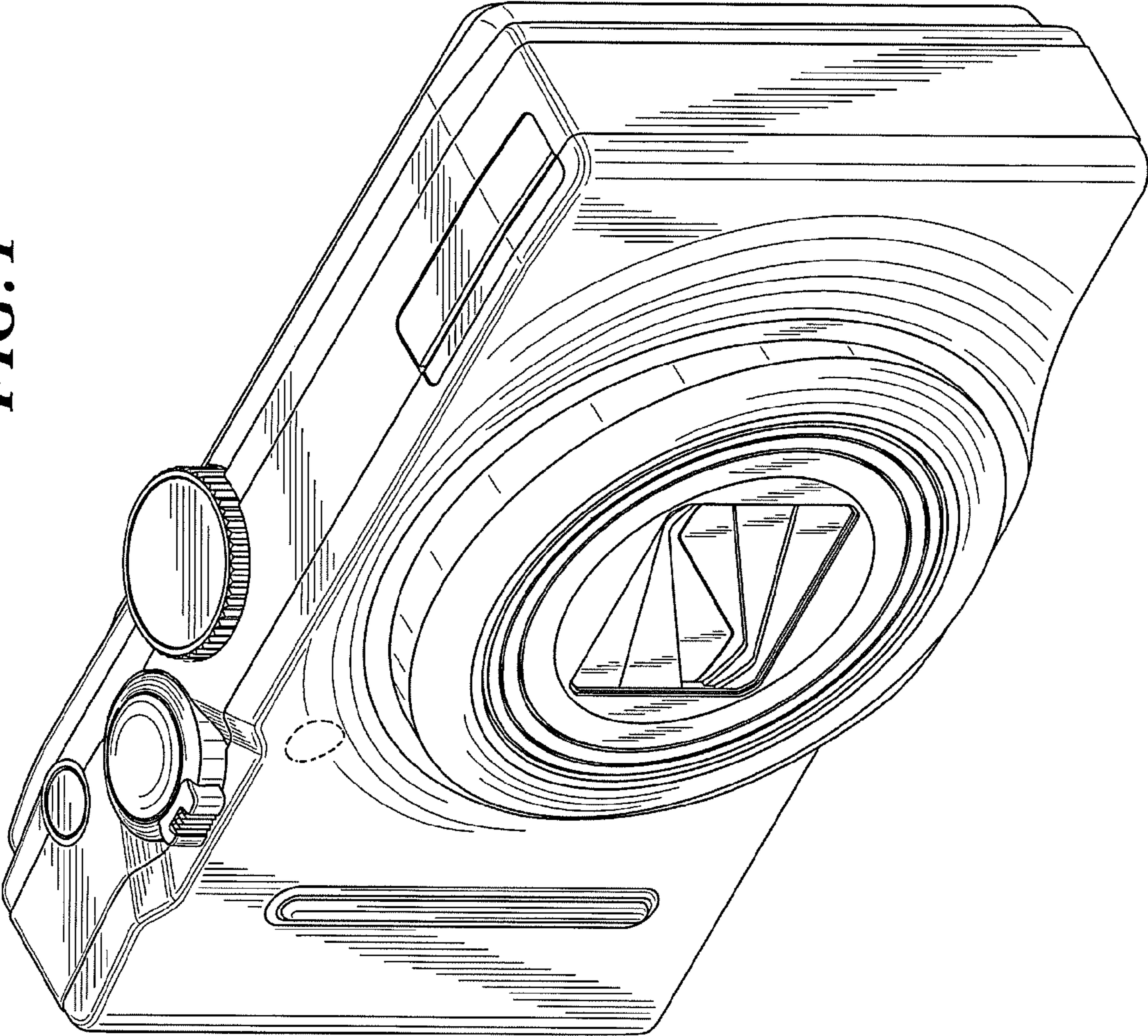
FIG. 1 is a front perspective view of a digital camera showing my new design;  
FIG. 2 is a rear perspective view thereof;  
FIG. 3 is a front elevational view thereof;  
FIG. 4 is a rear elevational view thereof;  
FIG. 5 is a top plan view thereof;  
FIG. 6 is a bottom plan view thereof;  
FIG. 7 is a right side elevational view thereof; and,  
FIG. 8 is a left side elevational view thereof.

The features shown in broken lines in the drawings depict environmental subject matter only and form no part of the claimed design.

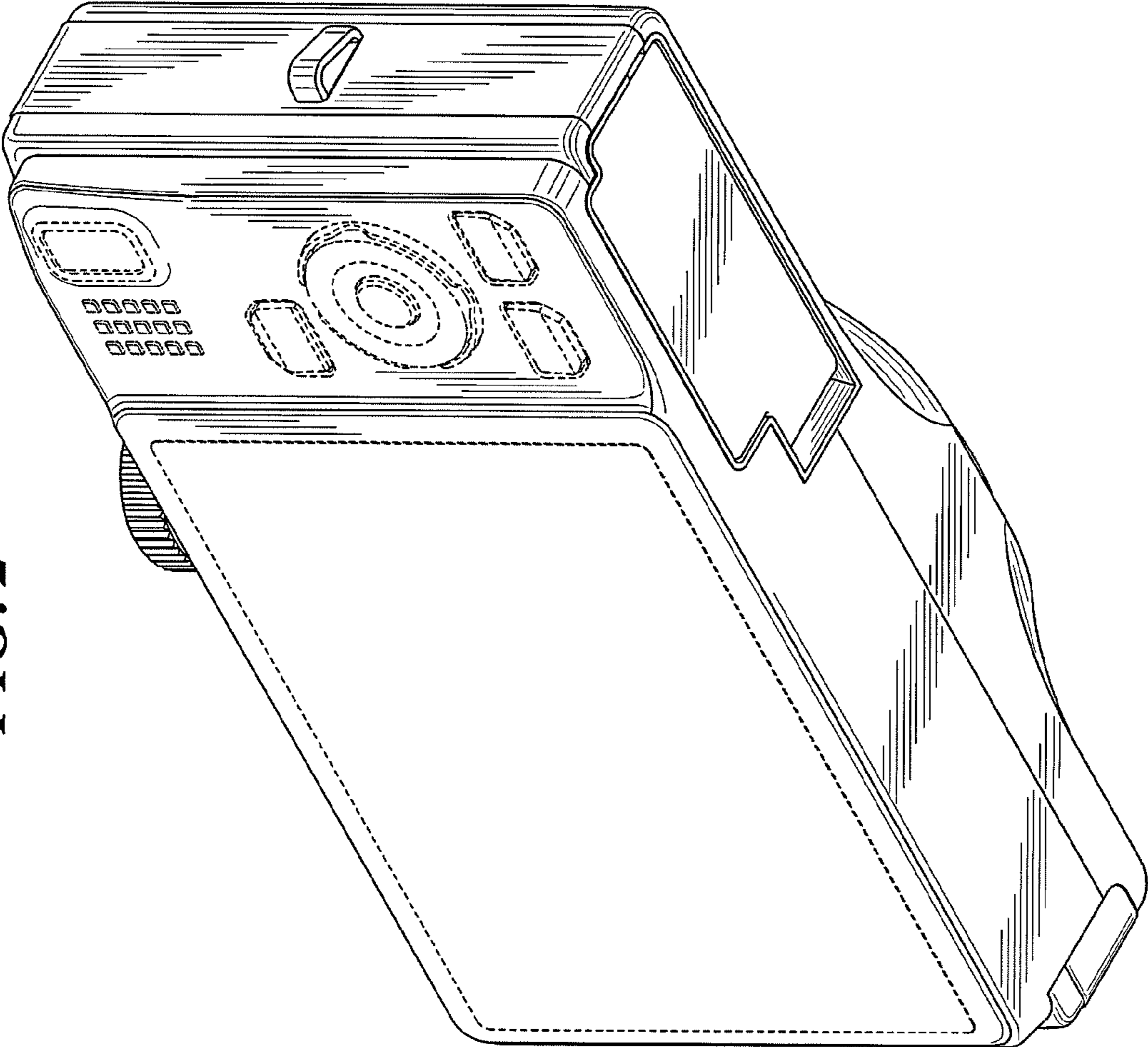
**1 Claim, 7 Drawing Sheets**



*FIG. 1*

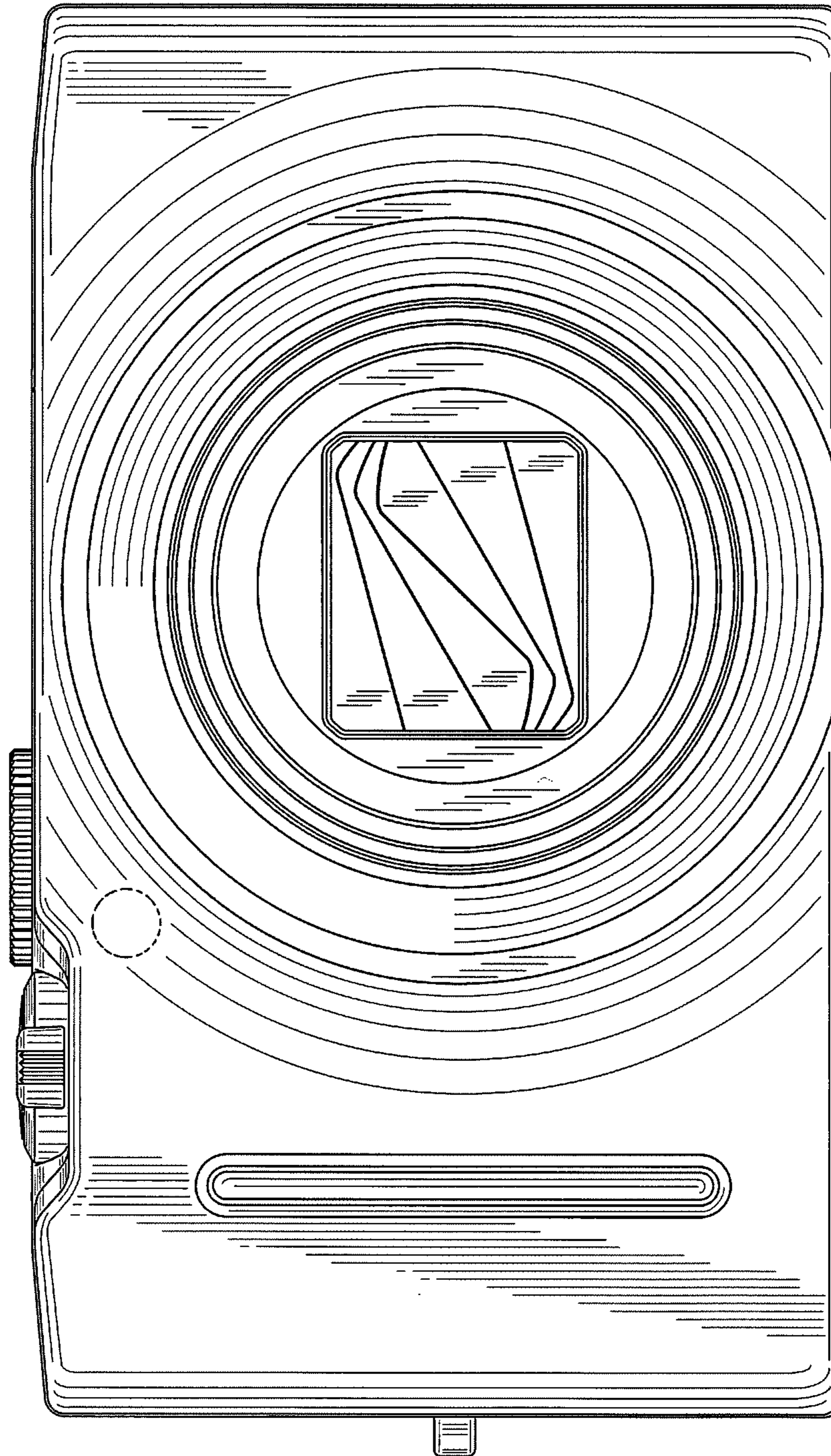


**FIG. 2**

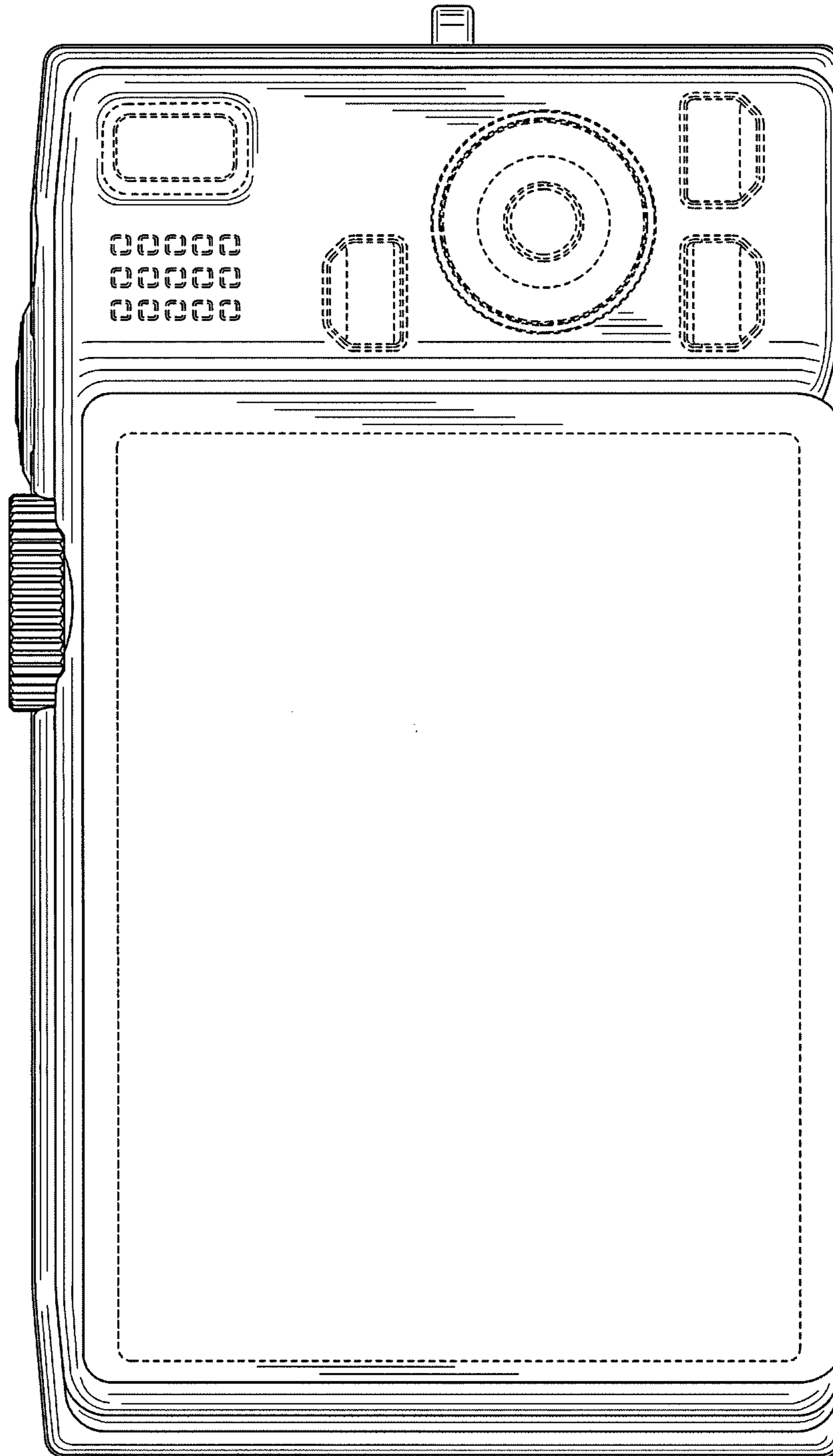




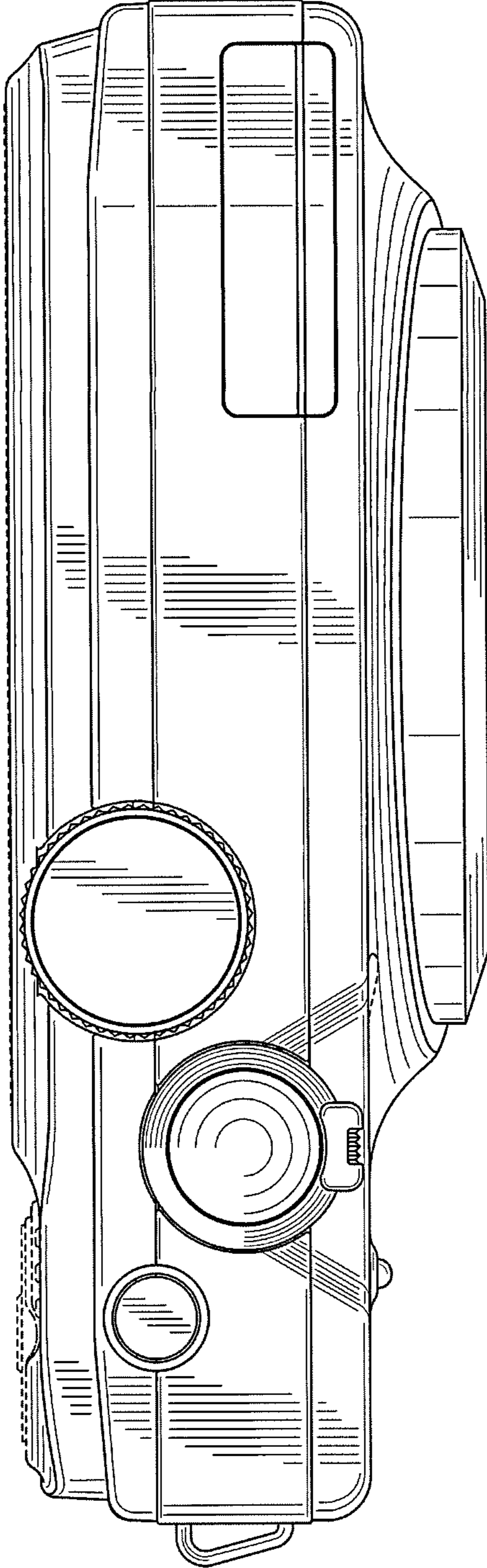
**FIG. 3**



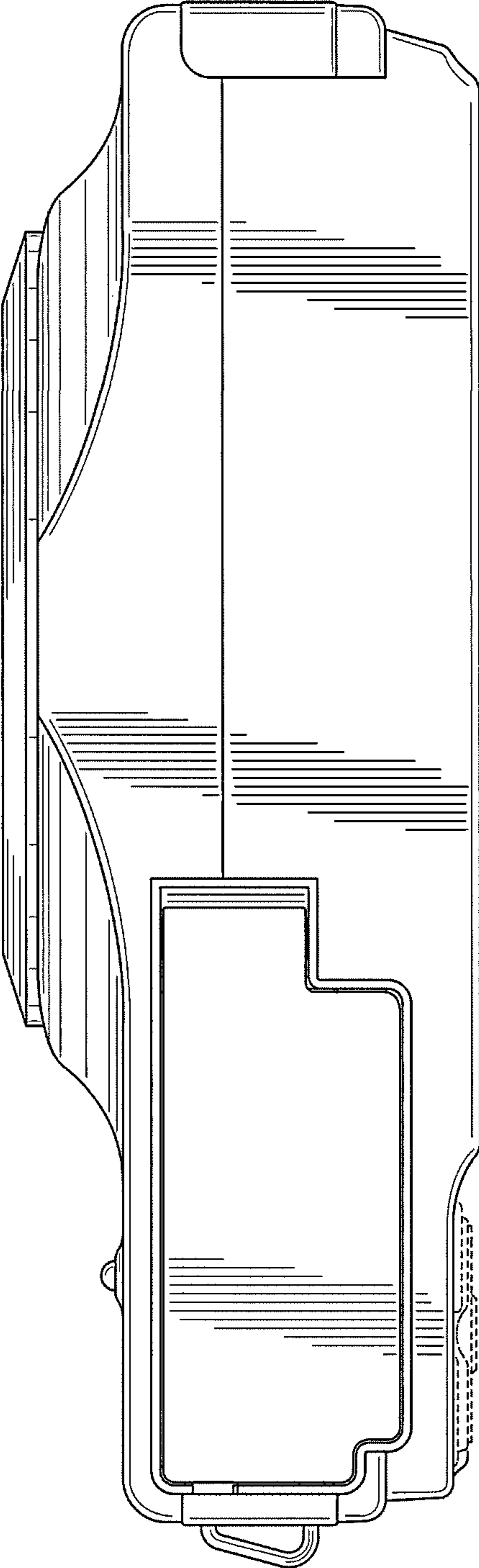
**FIG. 4**



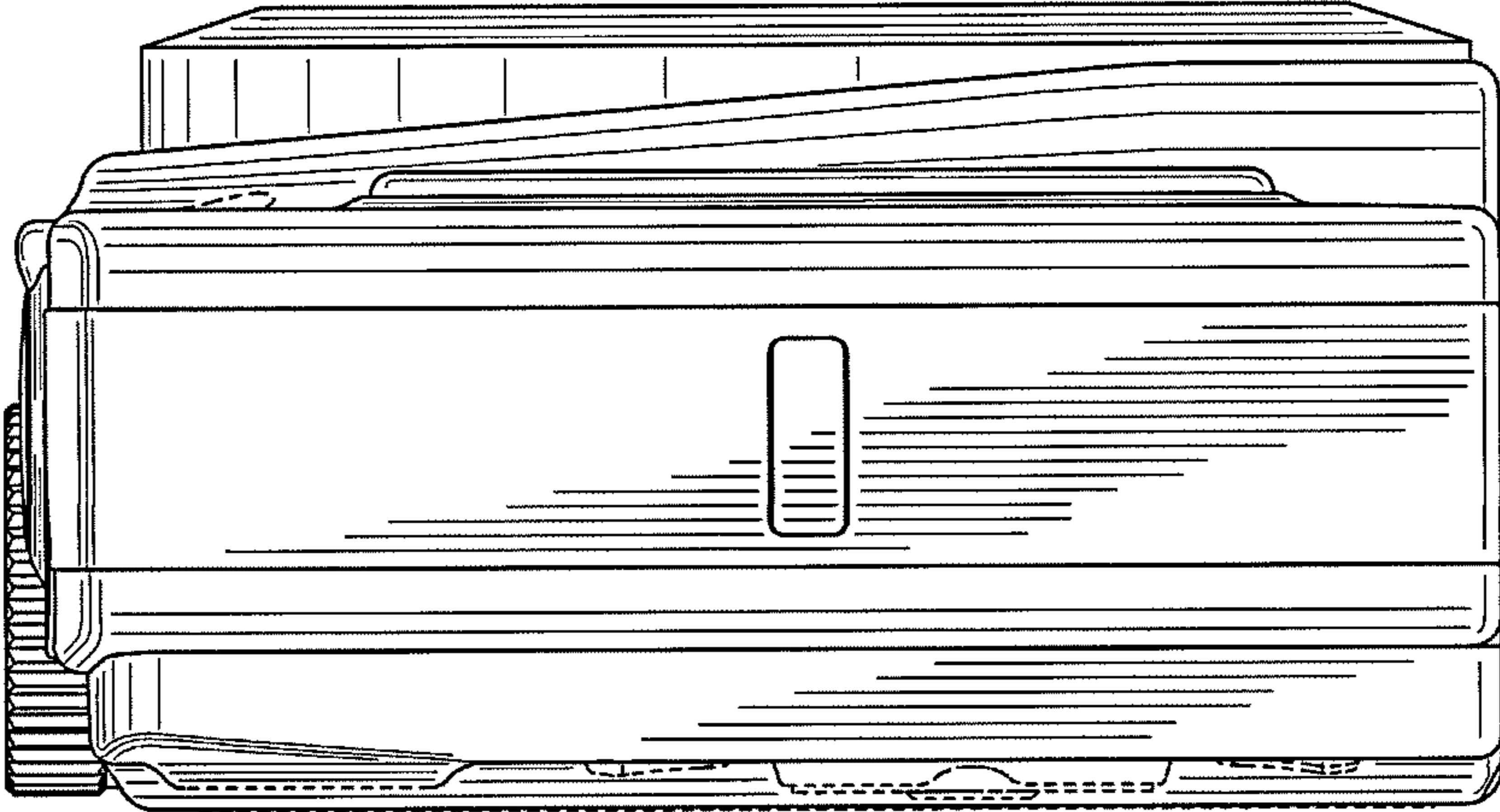
**FIG. 5**



**FIG. 6**



**FIG. 8**



**FIG. 7**

