



US00D689110S

(12) **United States Design Patent**  
**Euihoon et al.**

(10) **Patent No.:** **US D689,110 S**

(45) **Date of Patent:** **\*\* Sep. 3, 2013**

(54) **CAMCORDER**

(75) Inventors: **Kim Euihoon**, Uiwang-si (KR); **Jang Youngsang**, Anyang-si (KR)

(73) Assignee: **Samsung Electronics Co., Ltd.**, Gyeonggi-do (KR)

(\*\*) Term: **14 Years**

(21) Appl. No.: **29/412,801**

(22) Filed: **Feb. 8, 2012**

(51) **LOC (9) Cl.** ..... **16-01**

(52) **U.S. Cl.**  
USPC ..... **D16/202**

(58) **Field of Classification Search**  
USPC ..... D16/200–205, 208, 218; 348/373–376;  
358/906; 396/535–541  
See application file for complete search history.

(56) **References Cited**

U.S. PATENT DOCUMENTS

D584,753 S \* 1/2009 Chung et al. .... D16/202  
D588,176 S \* 3/2009 Tanifuji et al. .... D16/202

D612,881 S \* 3/2010 Narita et al. .... D16/202  
D613,323 S \* 4/2010 Jang et al. .... D16/202  
7,859,592 B2 \* 12/2010 Takahashi et al. .... 348/373  
D635,173 S \* 3/2011 Yamakawa ..... D16/203  
D664,176 S \* 7/2012 Naoya ..... D16/202

\* cited by examiner

*Primary Examiner* — Adir Aronovich

(74) *Attorney, Agent, or Firm* — Harness, Dickey & Pierce

(57) **CLAIM**

The ornamental design for a camcorder, as shown and described.

**DESCRIPTION**

FIG. 1 is a front, top and right side prospective view of a digital camcorder showing our new design;  
FIG. 2 is a front elevational view thereof;  
FIG. 3 is a rear elevational view thereof;  
FIG. 4 is a left side elevational view thereof;  
FIG. 5 is a right side elevational view thereof;  
FIG. 6 is a top plan view thereof; and,  
FIG. 7 is a bottom plan view thereof.

**1 Claim, 7 Drawing Sheets**

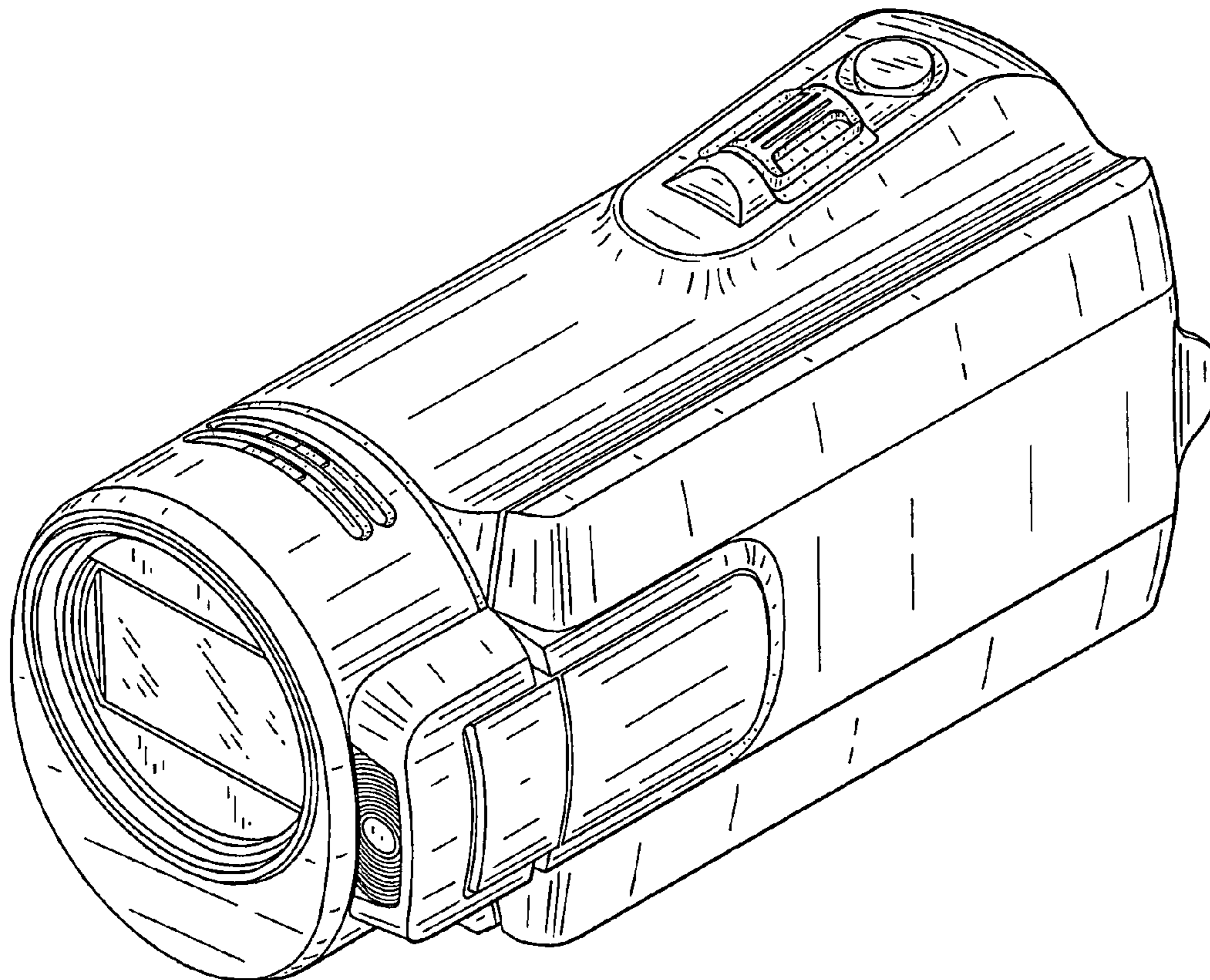


FIG. 1

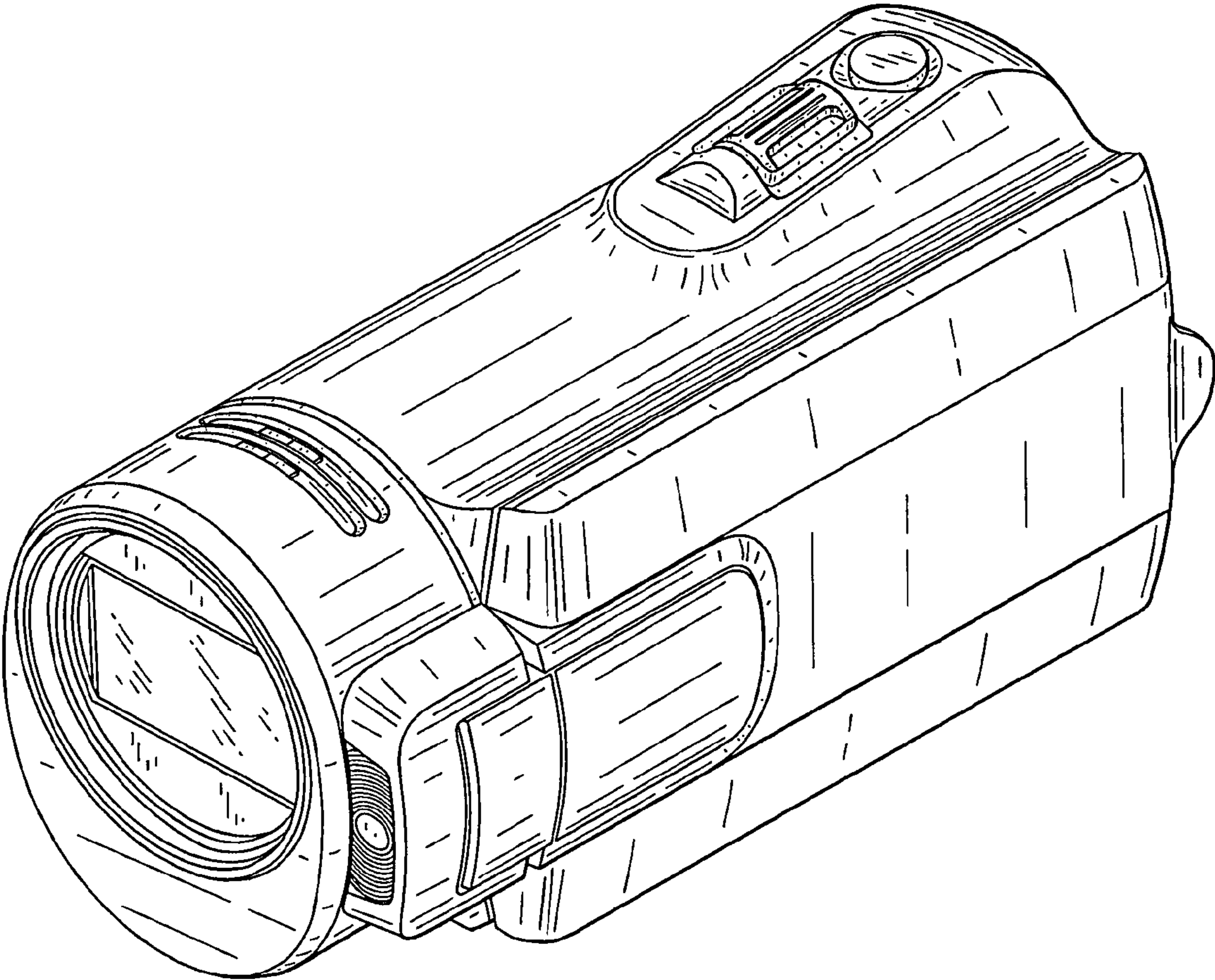


FIG. 2

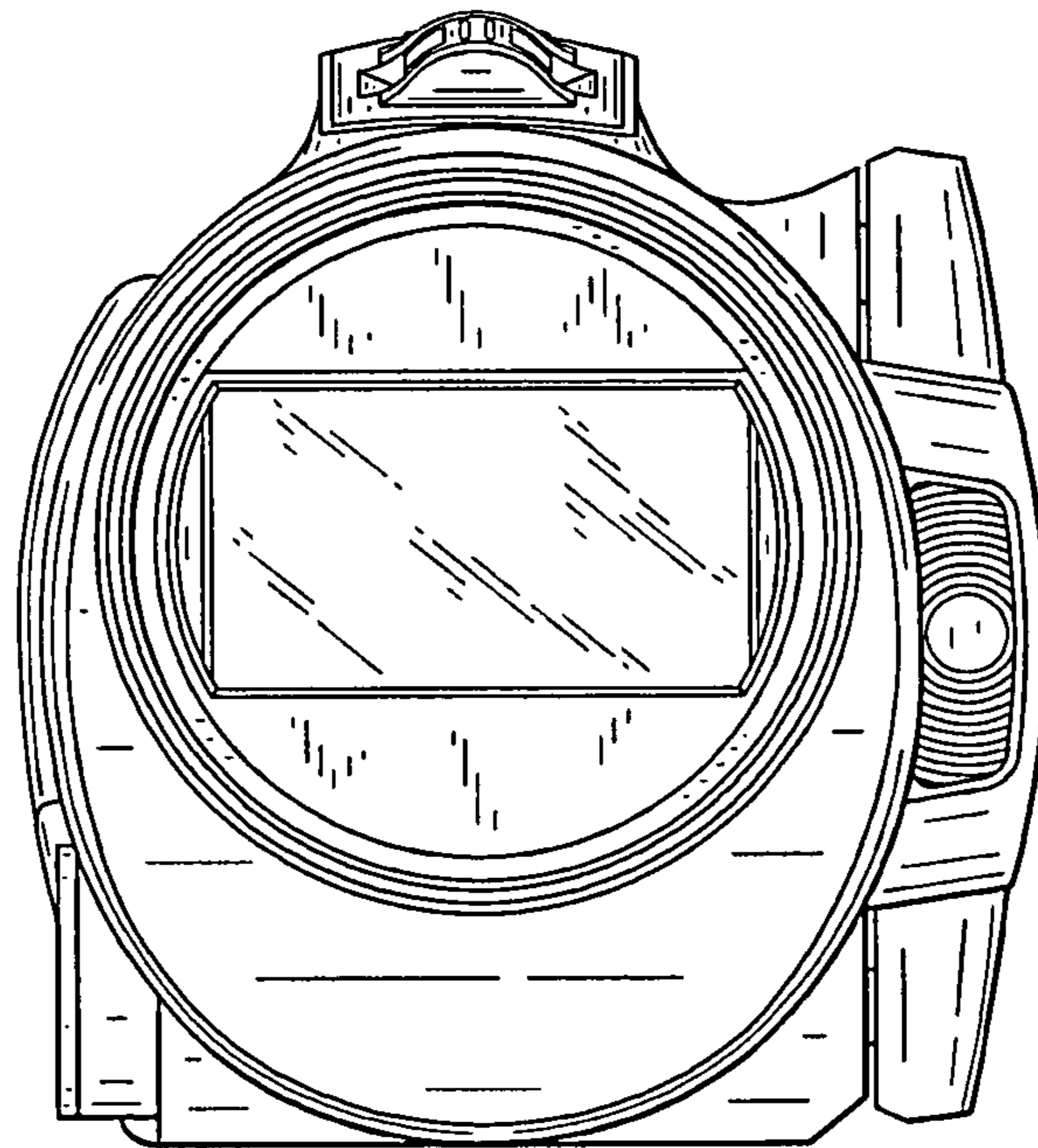


FIG. 3

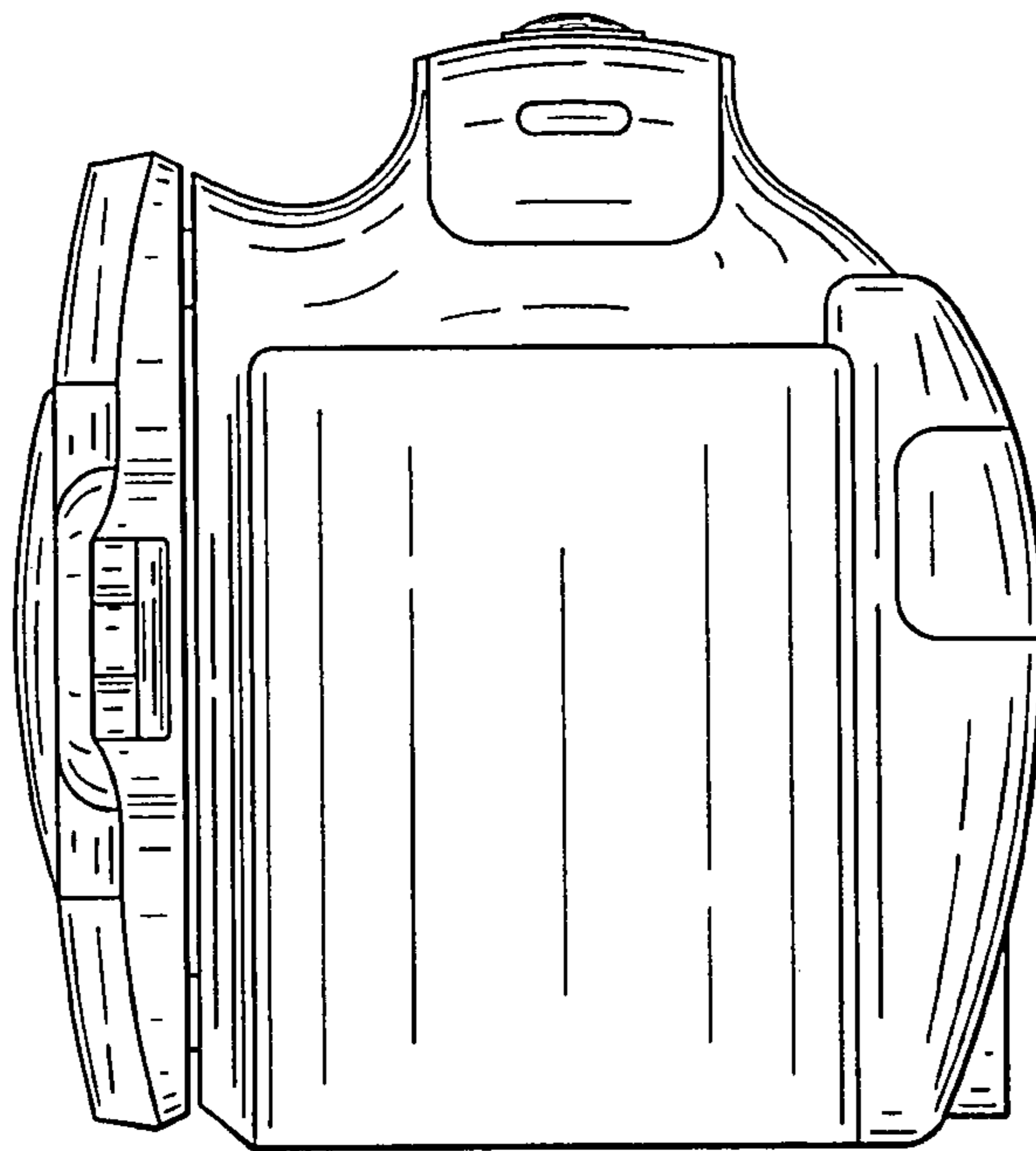


FIG. 4

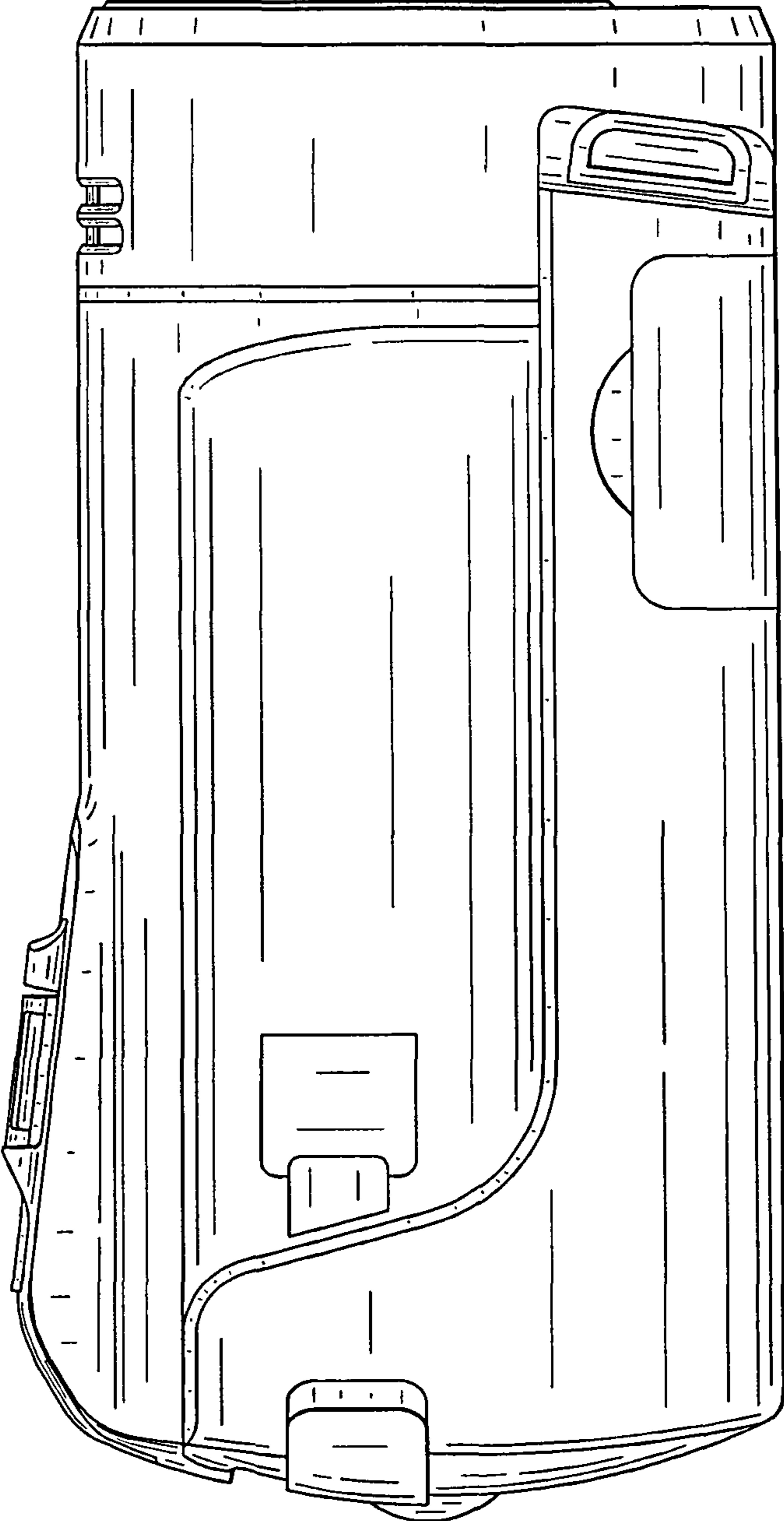


FIG. 5

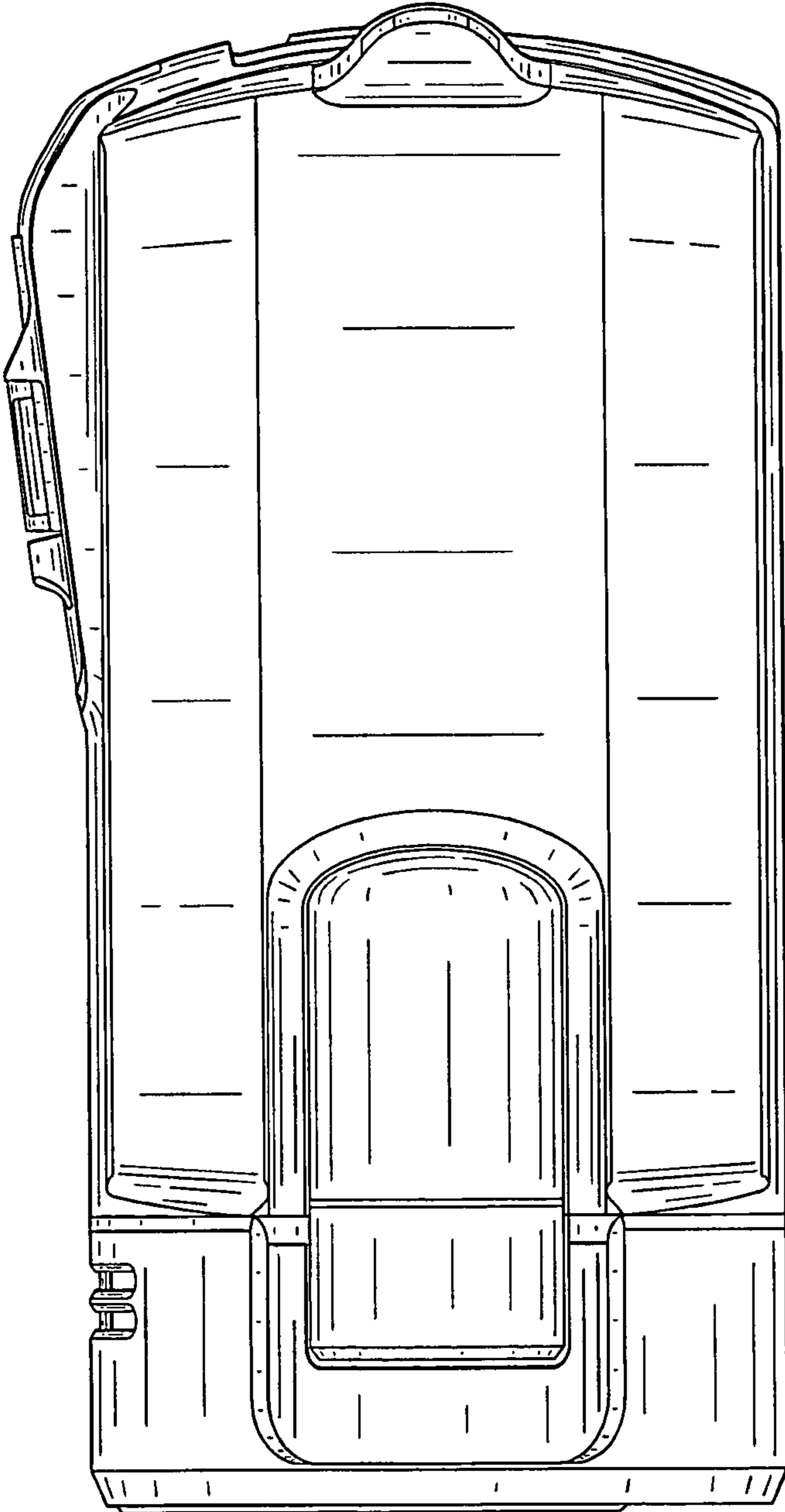


FIG. 6

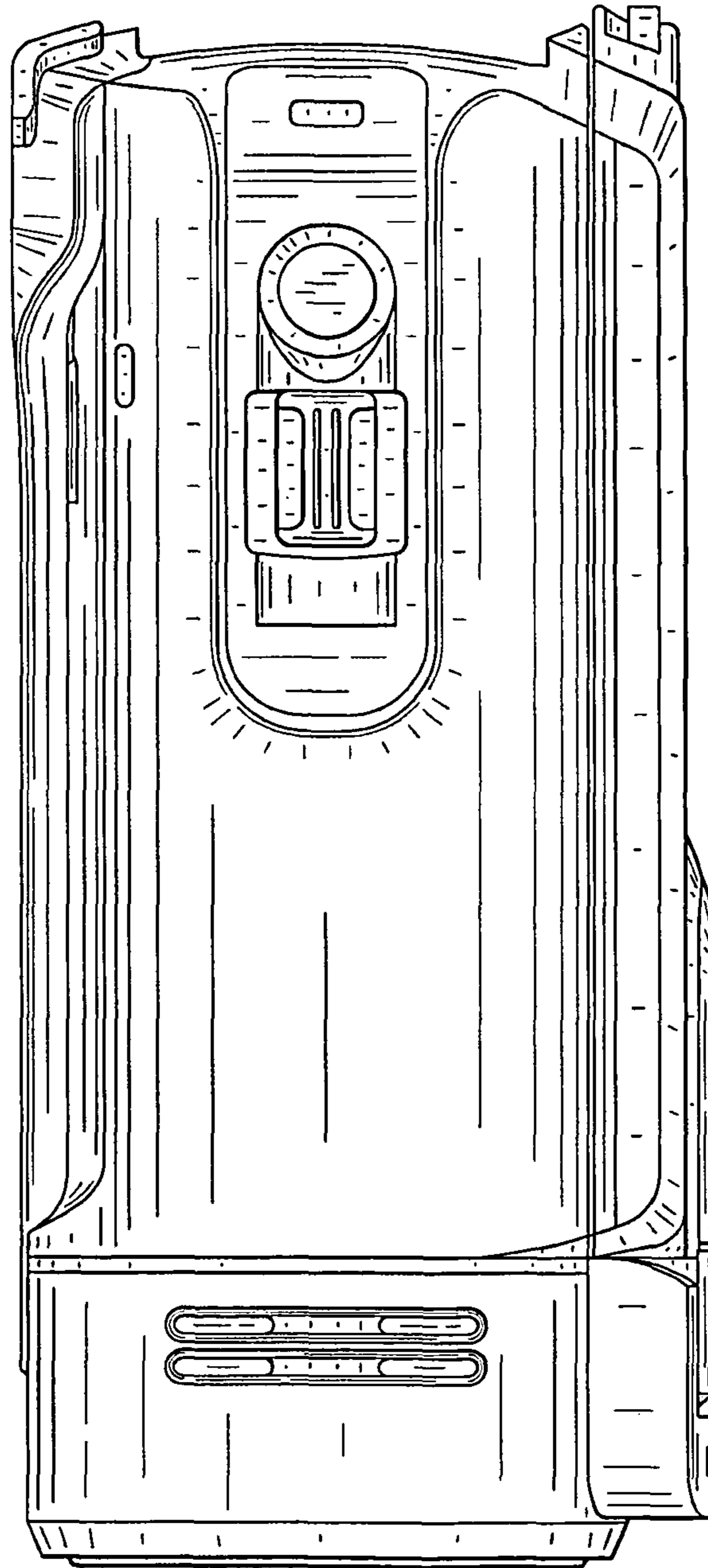


FIG. 7

