



US00D689109S

(12) **United States Design Patent**
Kim et al.

(10) **Patent No.:** **US D689,109 S**

(45) **Date of Patent:** **** Sep. 3, 2013**

(54) **DIGITAL CAMERA**

(75) Inventors: **Joo-Hyung Kim**, Seoul (KR); **Ham Min Ki**, Seoul (KR)

(73) Assignee: **Samsung Electronics Co., Ltd.**, Gyeonggi-do (KR)

(**) Term: **14 Years**

(21) Appl. No.: **29/412,159**

(22) Filed: **Jan. 31, 2012**

(51) **LOC (9) Cl.** **16-01**

(52) **U.S. Cl.**
USPC **D16/202**

(58) **Field of Classification Search**
USPC D16/200, 202, 204, 208, 218; 348/373-376;
358/909.1; 396/535-541
See application file for complete search history.

(56) **References Cited**

U.S. PATENT DOCUMENTS

D561,219 S * 2/2008 Nagayama et al. D16/202
D605,678 S * 12/2009 Shimobayashi D16/202

7,646,426 B2 * 1/2010 Saiki et al. 348/373
D627,381 S * 11/2010 Kwon D16/202
7,929,859 B2 * 4/2011 Saiki 396/535
D649,572 S * 11/2011 Lee D16/202
2006/0139457 A1 * 6/2006 Liao 348/373

* cited by examiner

Primary Examiner — Adir Aronovich

(74) *Attorney, Agent, or Firm* — Harness, Dickey & Pierce, P.L.C.

(57) **CLAIM**

The ornamental design for a digital camera, as shown.

DESCRIPTION

FIG. 1 is a front, top and left side perspective view of a digital camera showing our new design;
FIG. 2 is a front elevational view thereof;
FIG. 3 is a rear elevational view thereof;
FIG. 4 is a left side elevational view thereof;
FIG. 5 is a right side elevational view thereof;
FIG. 6 is a top plan view thereof; and,
FIG. 7 is a bottom plan view thereof.

1 Claim, 6 Drawing Sheets

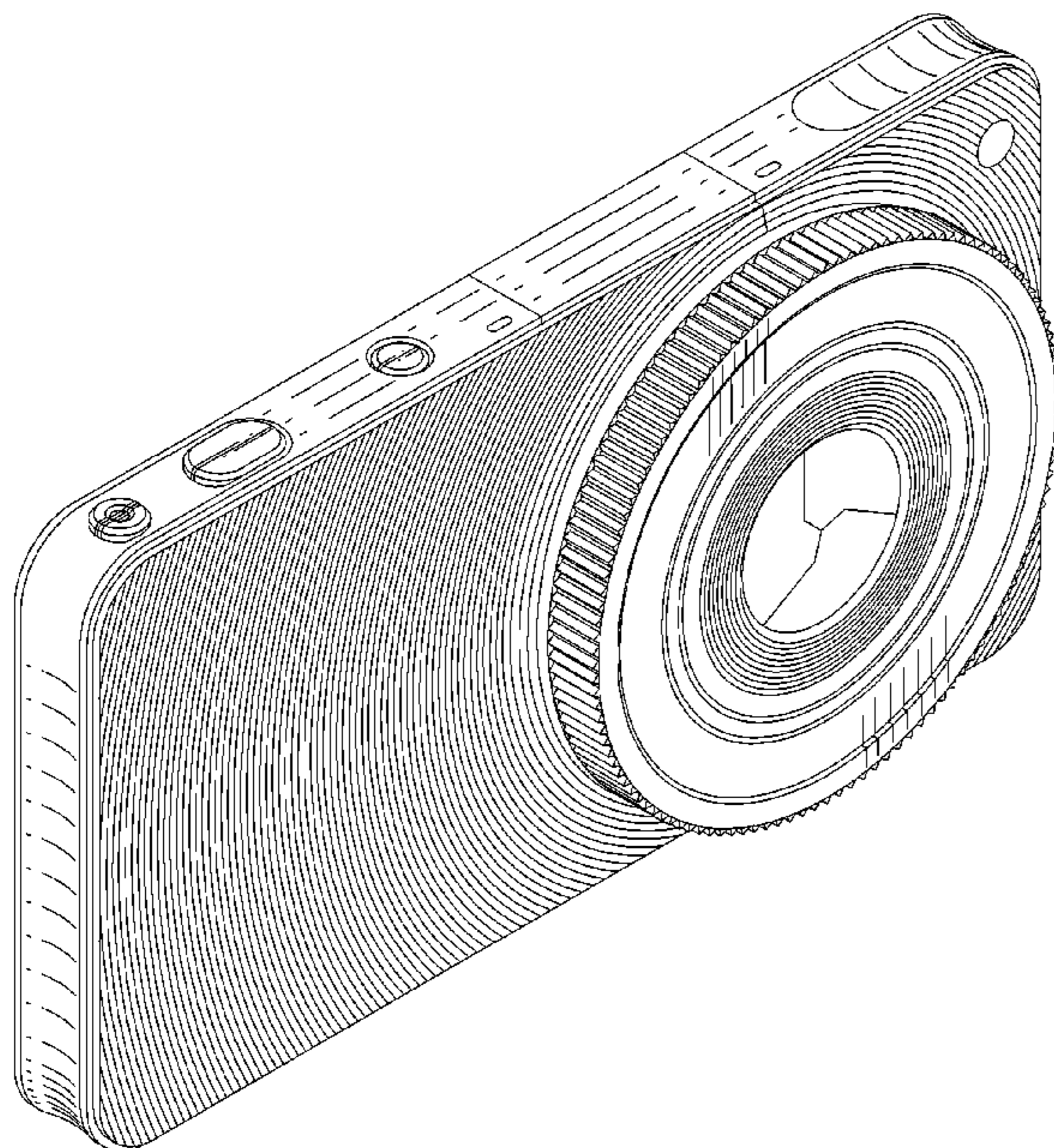


FIG. 1

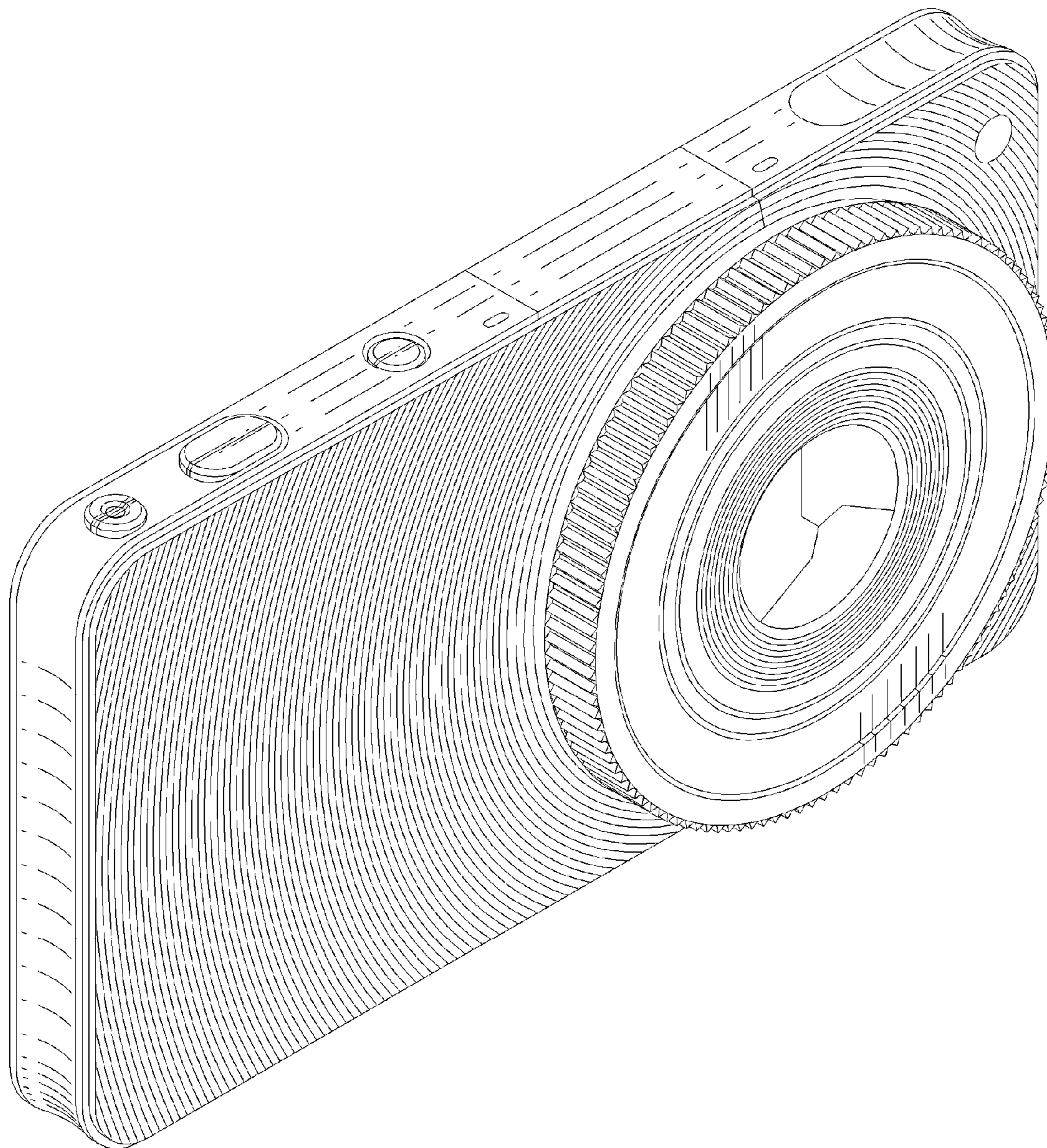


FIG. 2

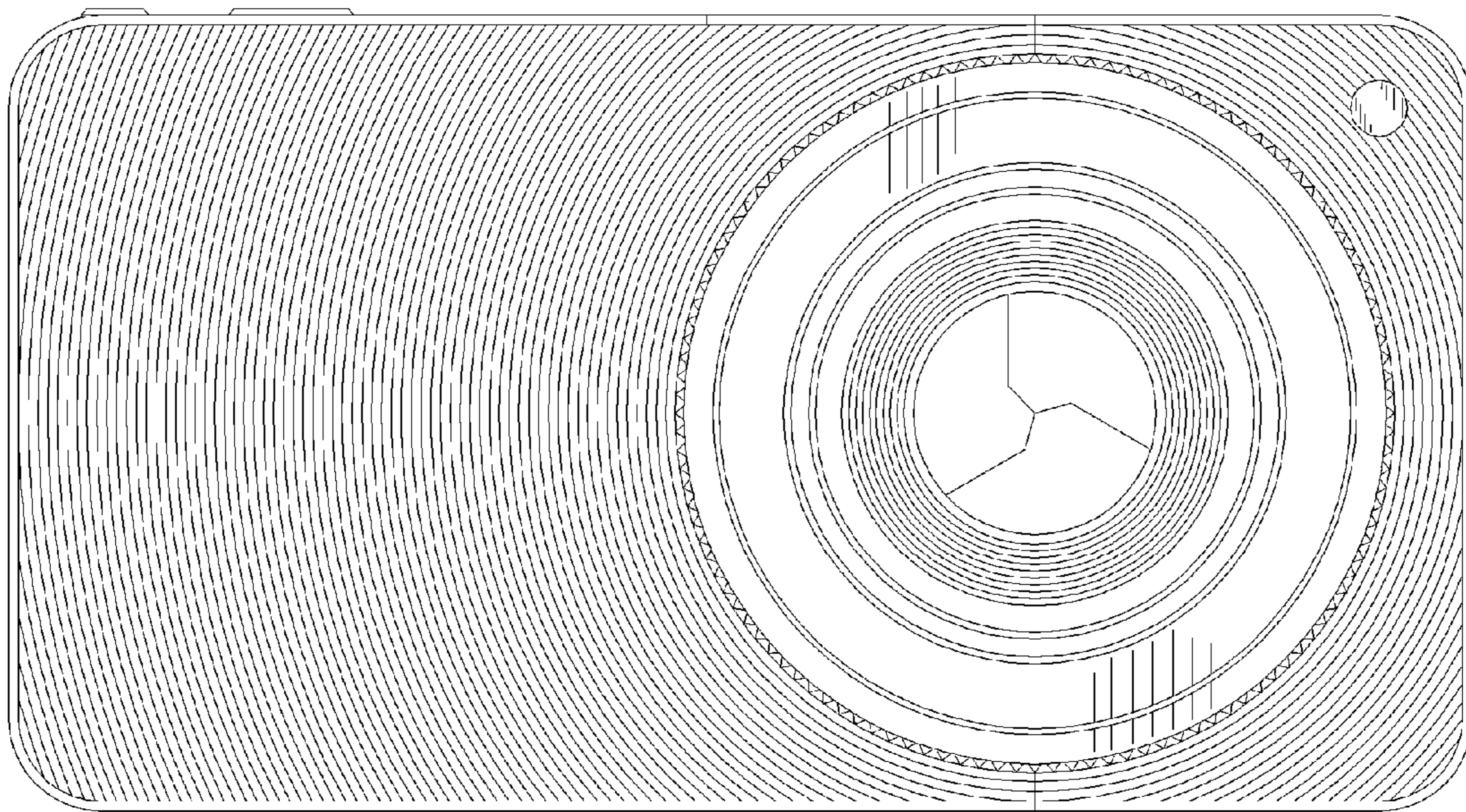


FIG. 3



FIG. 4

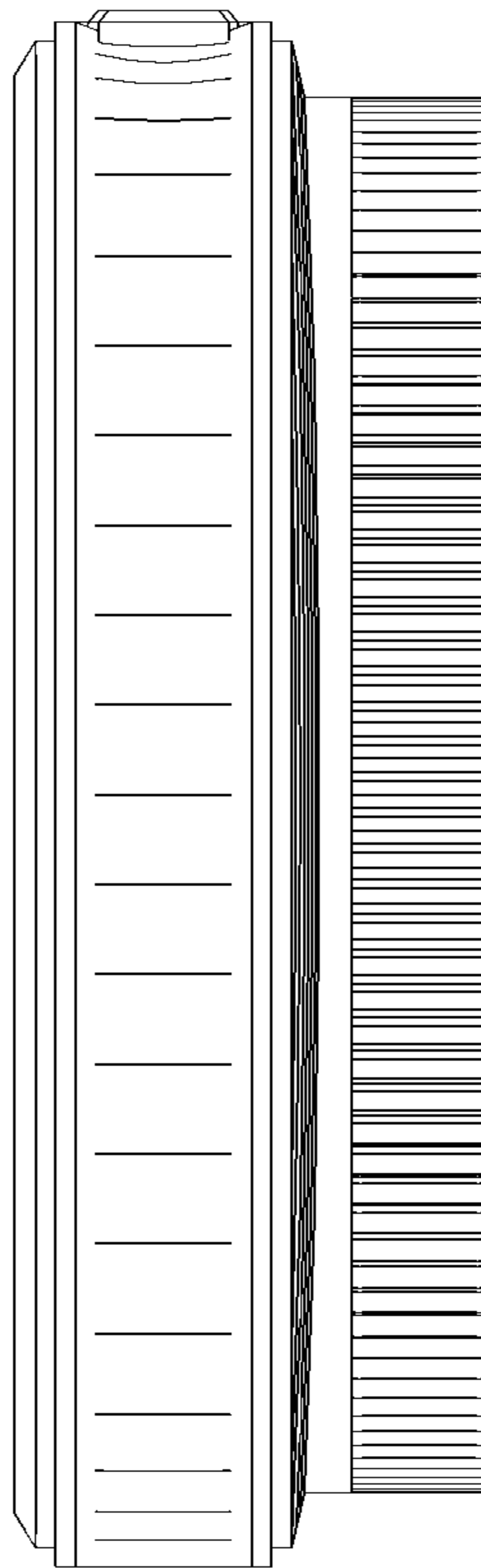


FIG. 5

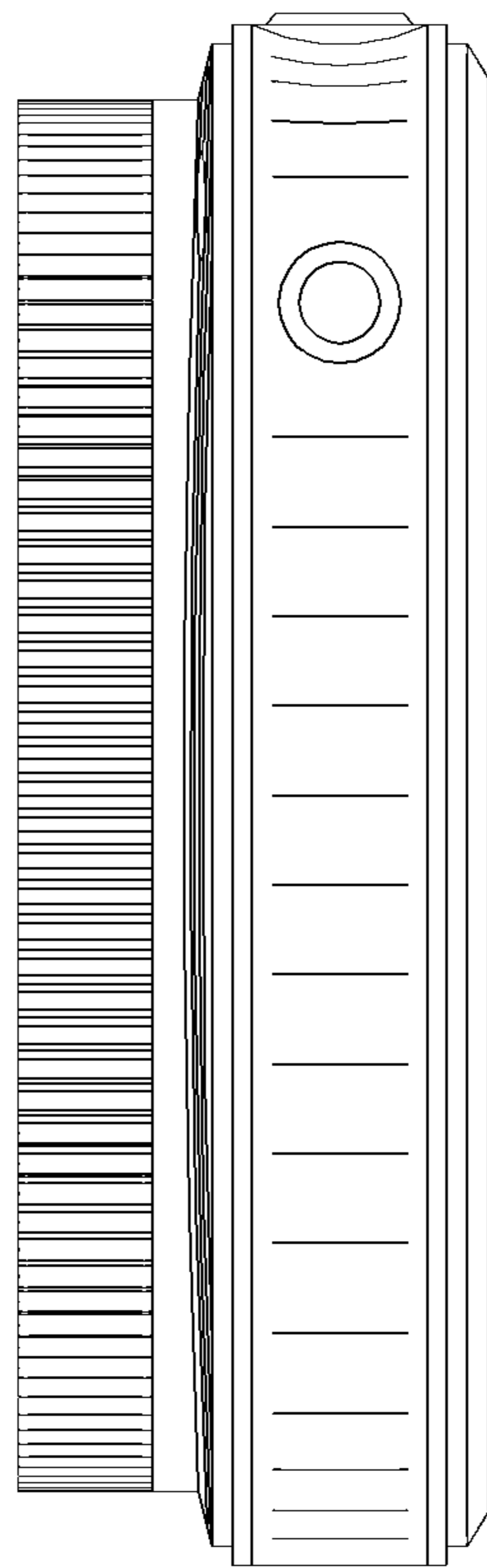


FIG. 6

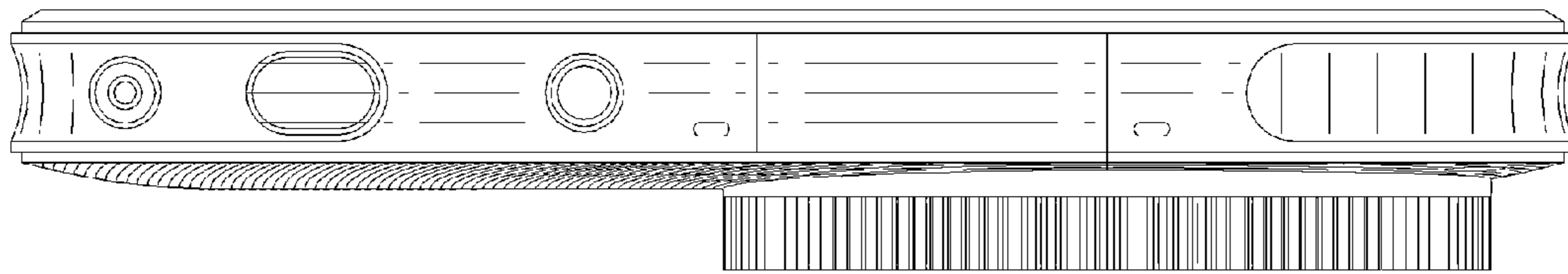


FIG. 7

