



US00D689108S

(12) **United States Design Patent**
Kile

(10) **Patent No.:** **US D689,108 S**

(45) **Date of Patent:** **** Sep. 3, 2013**

(54) **TRANSPARENT OIL MONITORING AND MAINTENANCE COVER**

(76) Inventor: **Ronald J. Kile**, Rosalia, WA (US)

(**) Term: **14 Years**

(21) Appl. No.: **29/401,890**

(22) Filed: **Sep. 16, 2011**

(51) **LOC (9) Cl.** **15-99**

(52) **U.S. Cl.**
USPC **D15/150**

(58) **Field of Classification Search**
USPC D9/454; D15/150, 151, 152; 137/87;
184/6.23, 6.4, 27.3, 6.24, 6.28, 27.1, 31,
184/55, 58.65, 81, 108; 248/129; 280/47.34,
280/79.2, 79.5; 364/140; 418/270
See application file for complete search history.

(56) **References Cited**

U.S. PATENT DOCUMENTS

- 4,149,575 A * 4/1979 Fisher 141/98
- D332,300 S * 1/1993 Eastom D23/211.2
- D337,594 S * 7/1993 Strauch D15/152

- D411,800 S * 7/1999 Kokenge et al. D9/454
- D419,881 S * 2/2000 Kokenge et al. D9/454
- D639,414 S * 6/2011 Berndt D23/366
- D666,227 S * 8/2012 Kile D15/150

* cited by examiner

Primary Examiner — Patricia Palasik

(74) *Attorney, Agent, or Firm* — Parsons & Goltry; Michael W. Goltry; Robert A. Parsons

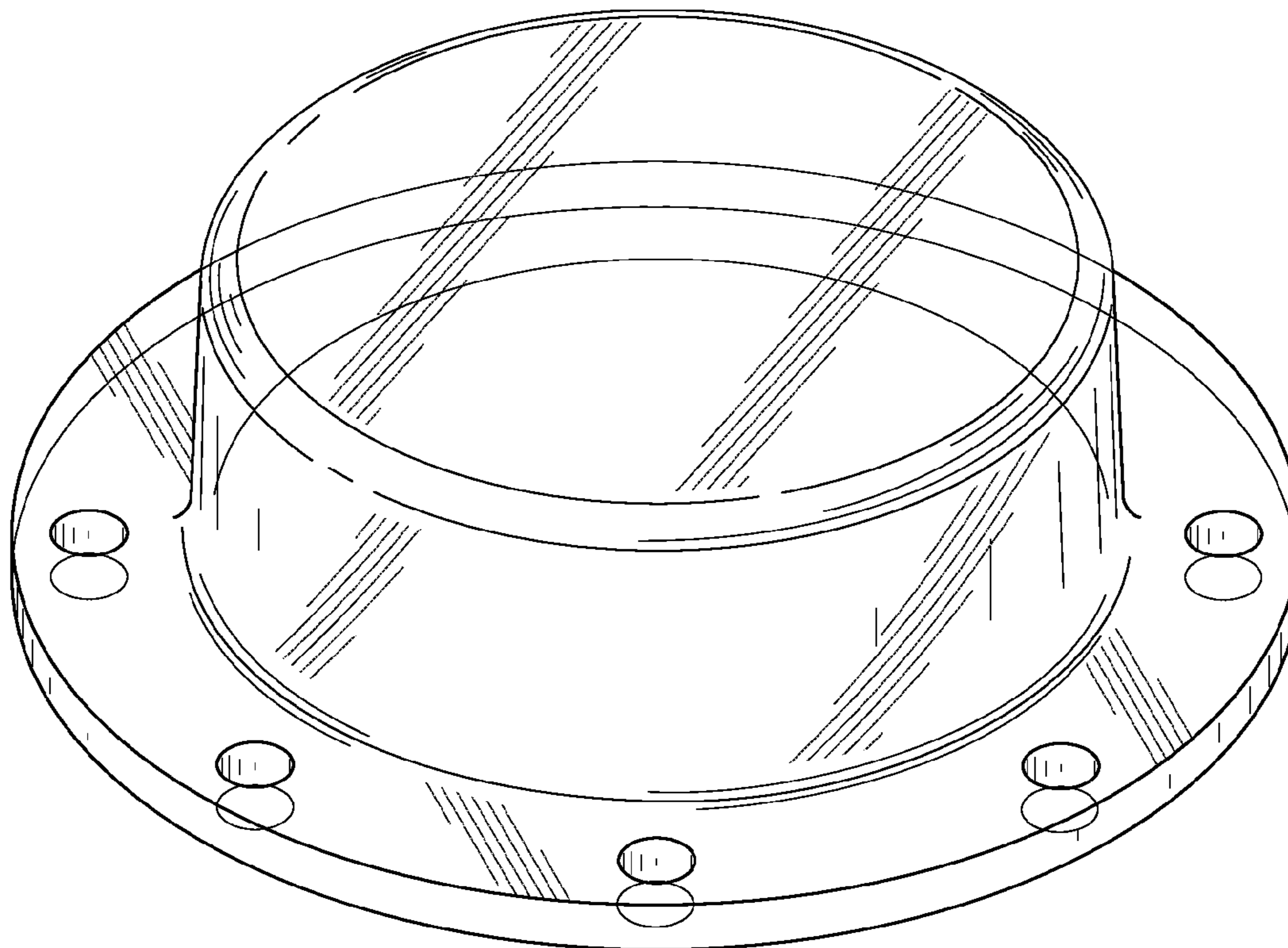
(57) **CLAIM**

The ornamental design for a transparent oil monitoring and maintenance cover.

DESCRIPTION

FIG. 1 is top perspective view of a transparent oil monitoring and maintenance cover showing my new design;
FIG. 2 is a bottom perspective view thereof;
FIG. 3 is a front elevation view thereof, the rear elevation view thereof, the right side elevation view thereof, and the left side elevation view thereof being the same thereof;
FIG. 4 is a top plan view thereof; and,
FIG. 5 is a bottom plan view thereof.

1 Claim, 5 Drawing Sheets



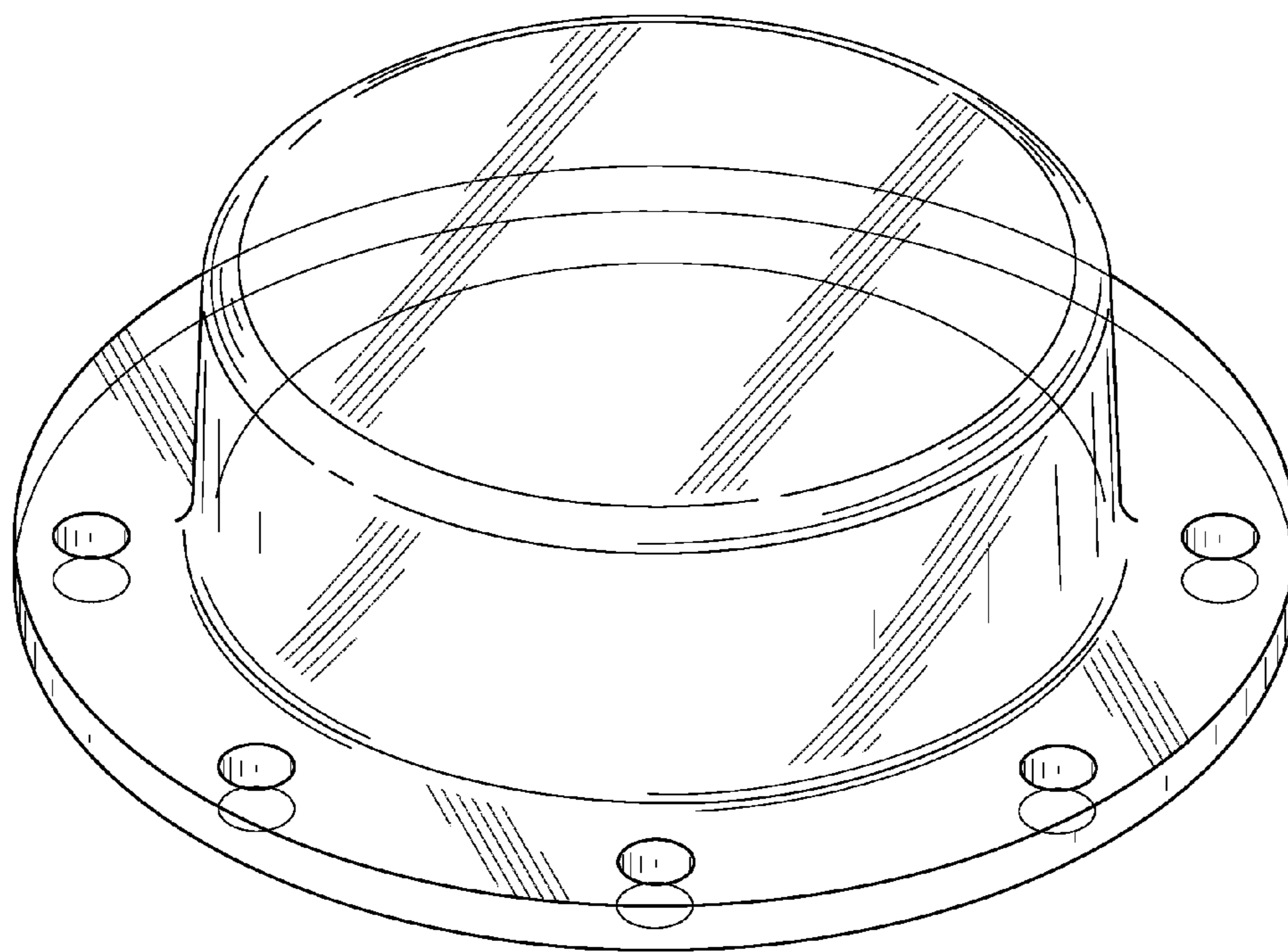


FIG. 1

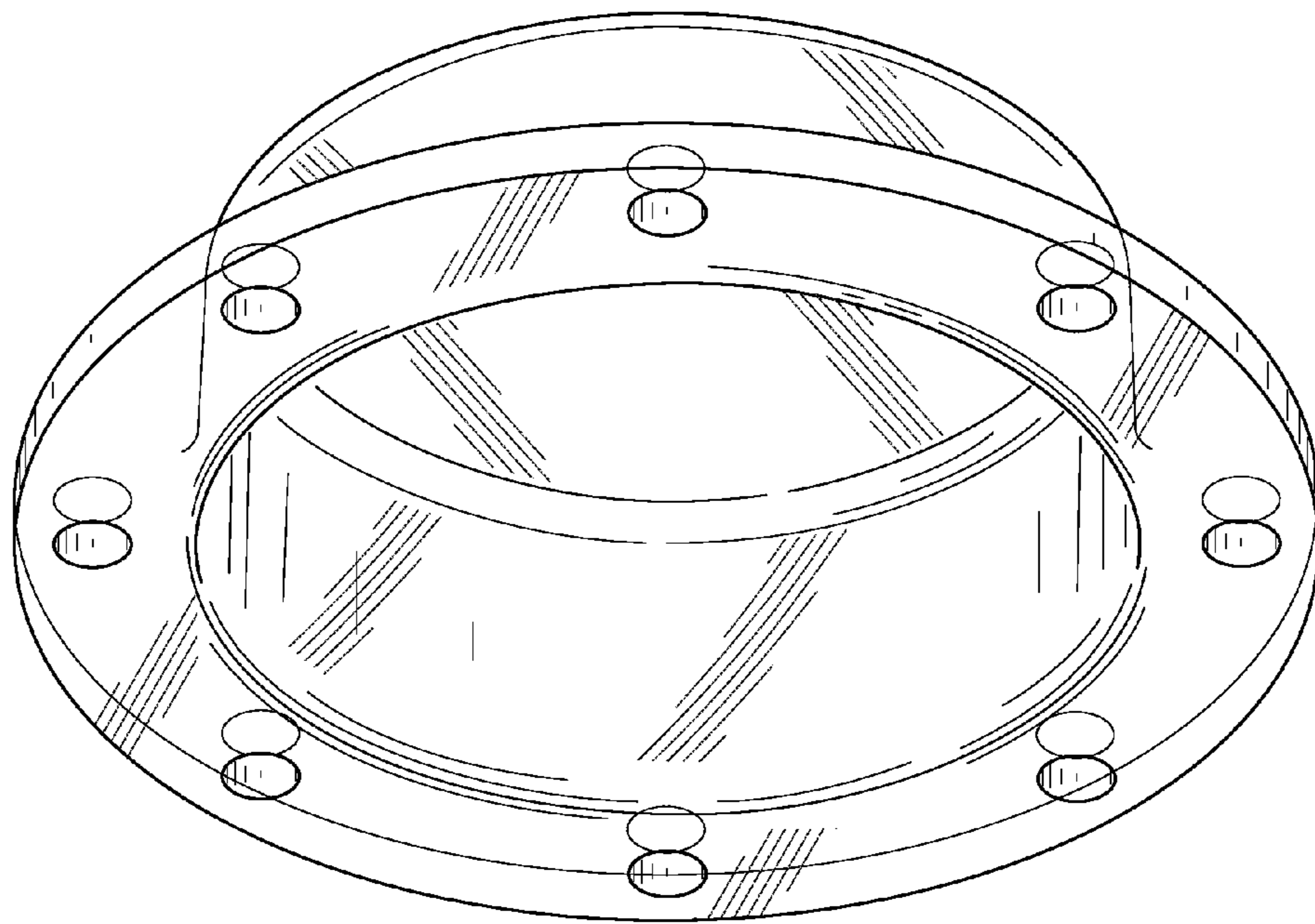


FIG. 2

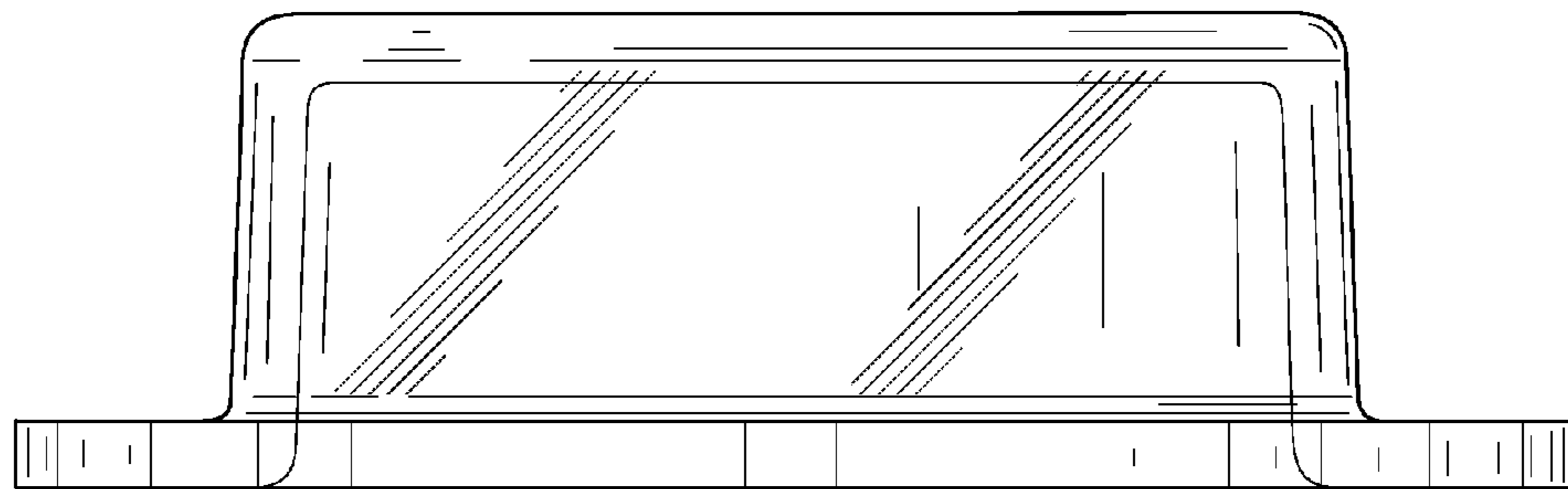


FIG. 3

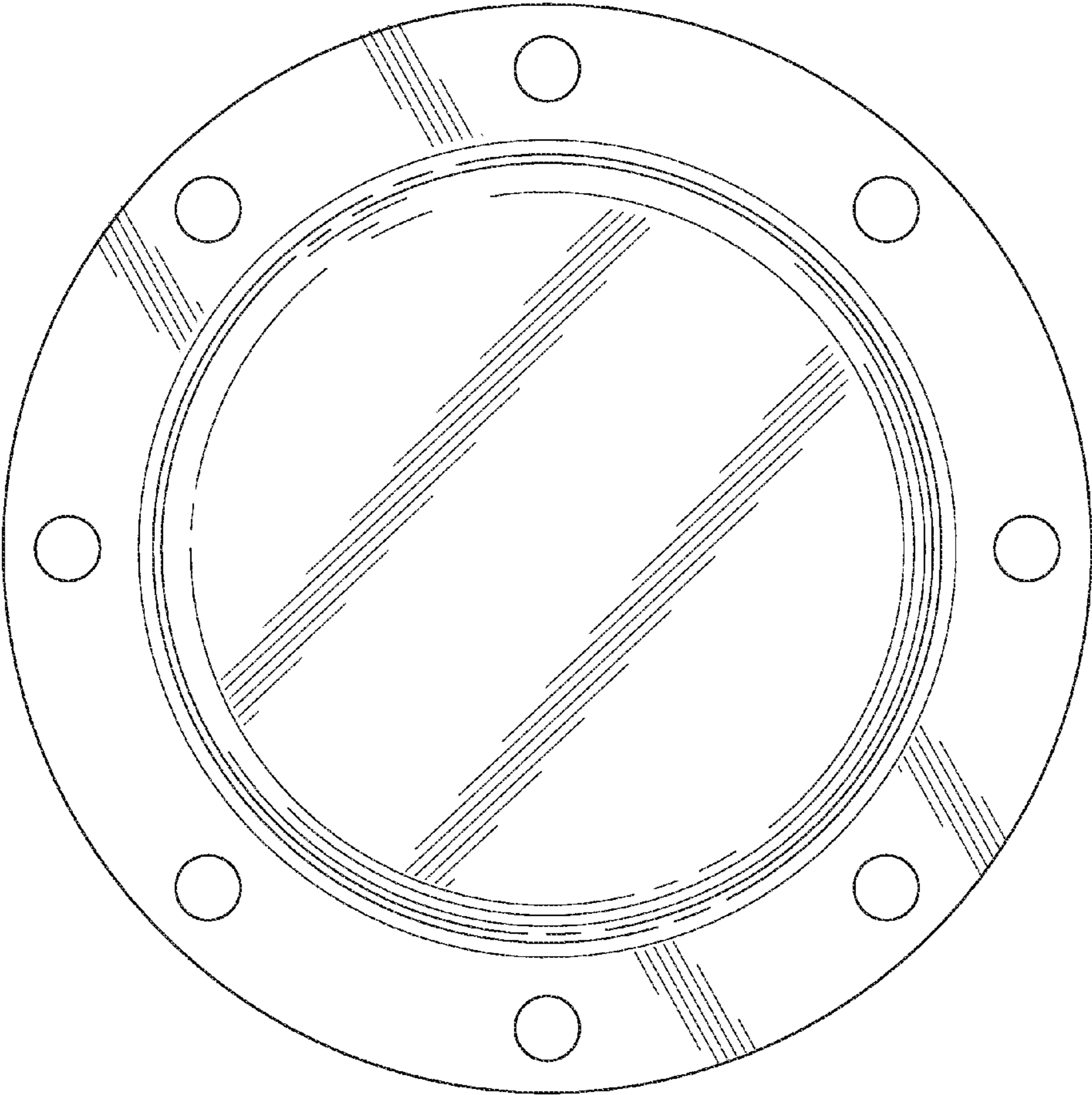


FIG. 4

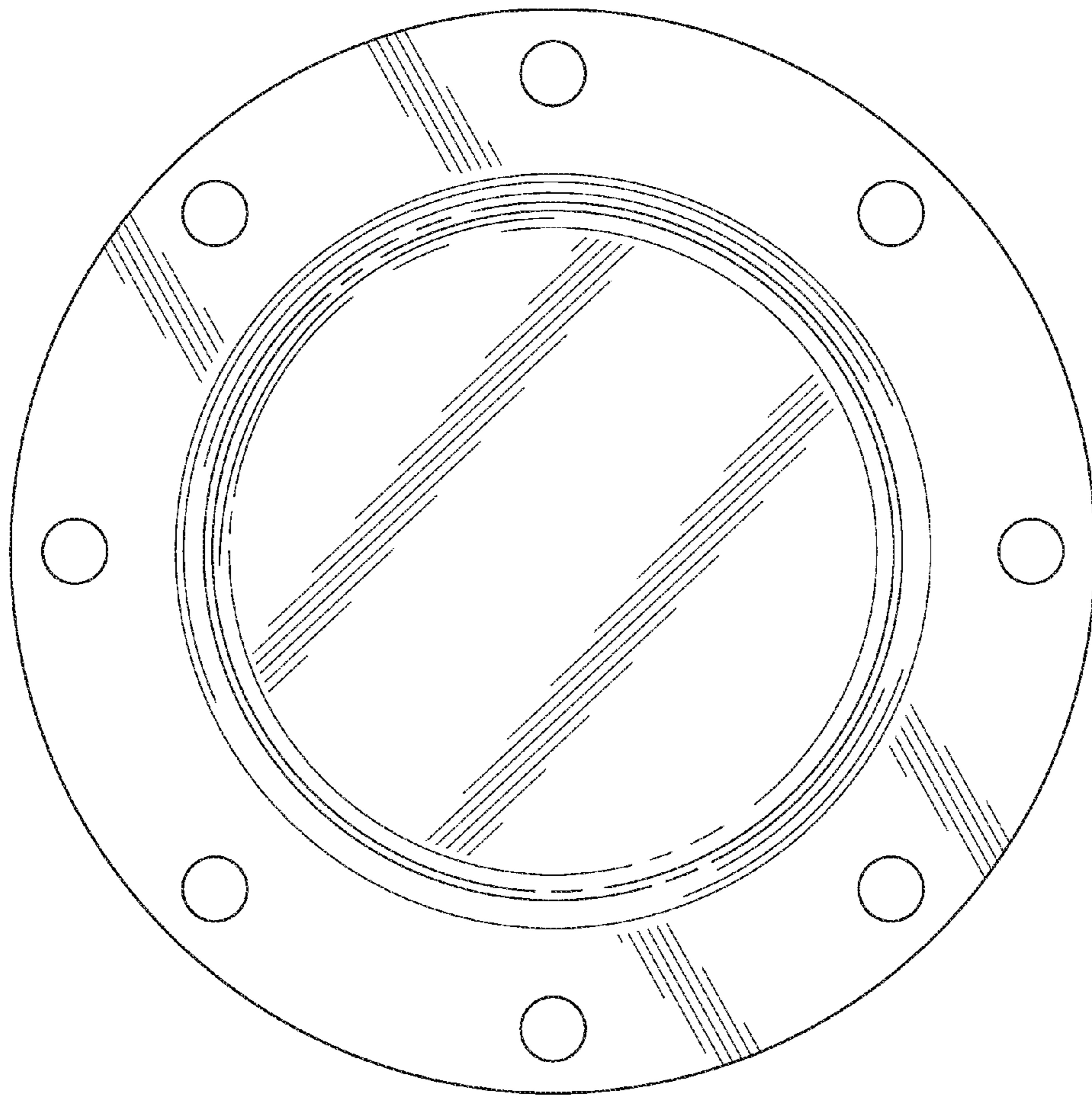


FIG. 5