



US00D689107S

(12) **United States Design Patent**
Grove

(10) **Patent No.:** **US D689,107 S**

(45) **Date of Patent:** **** Sep. 3, 2013**

(54) **WELDMENT FIXTURE**

(71) Applicant: **Silcotek Corp.**, Bellefonte, PA (US)

(72) Inventor: **William David Grove**, Boalsburg, PA (US)

(73) Assignee: **Silcotek Corp.**, Bellefonte, PA (US)

(**) Term: **14 Years**

(21) Appl. No.: **29/437,563**

(22) Filed: **Nov. 19, 2012**

(51) **LOC (9) Cl.** **15-09**

(52) **U.S. Cl.**
USPC **D15/144**

(58) **Field of Classification Search**
USPC D15/144, 144.1, 144.2; 29/281.1, 29/466, 468, 559; 33/547, 552, 573; 156/73.5, 156/580.1; 219/121.63, 121.64, 121.77, 219/121.82, 125.1, 125.12, 137 R; 228/44.3, 228/48, 49.1, 49.4, 103, 119, 173.1, 212; 250/559; 269/37, 40, 41, 309
See application file for complete search history.

(56) **References Cited**

U.S. PATENT DOCUMENTS

3,661,661 A * 5/1972 Berleyoung 156/580.1
4,501,949 A * 2/1985 Antol et al. 219/121.63
4,641,820 A * 2/1987 Gold et al. 269/58

D371,059 S * 6/1996 Howe D8/72
6,083,333 A * 7/2000 Van Beers et al. 156/73.1
6,607,114 B2 * 8/2003 Reser et al. 228/49.1
6,648,318 B1 * 11/2003 Oetlinger et al. 269/41
8,113,415 B2 * 2/2012 Paquette et al. 228/212
D678,372 S * 3/2013 Trussell D15/144
2002/0134816 A1 * 9/2002 Chen et al. 228/103
2003/0062665 A1 * 4/2003 Urlaub 269/309
2005/0194362 A1 * 9/2005 Eisenhower et al. 219/121.63
2008/0303197 A1 * 12/2008 Paquette et al. 269/55

* cited by examiner

Primary Examiner — Patricia Palasik

(74) *Attorney, Agent, or Firm* — McNeese Wallace & Nurick LLC

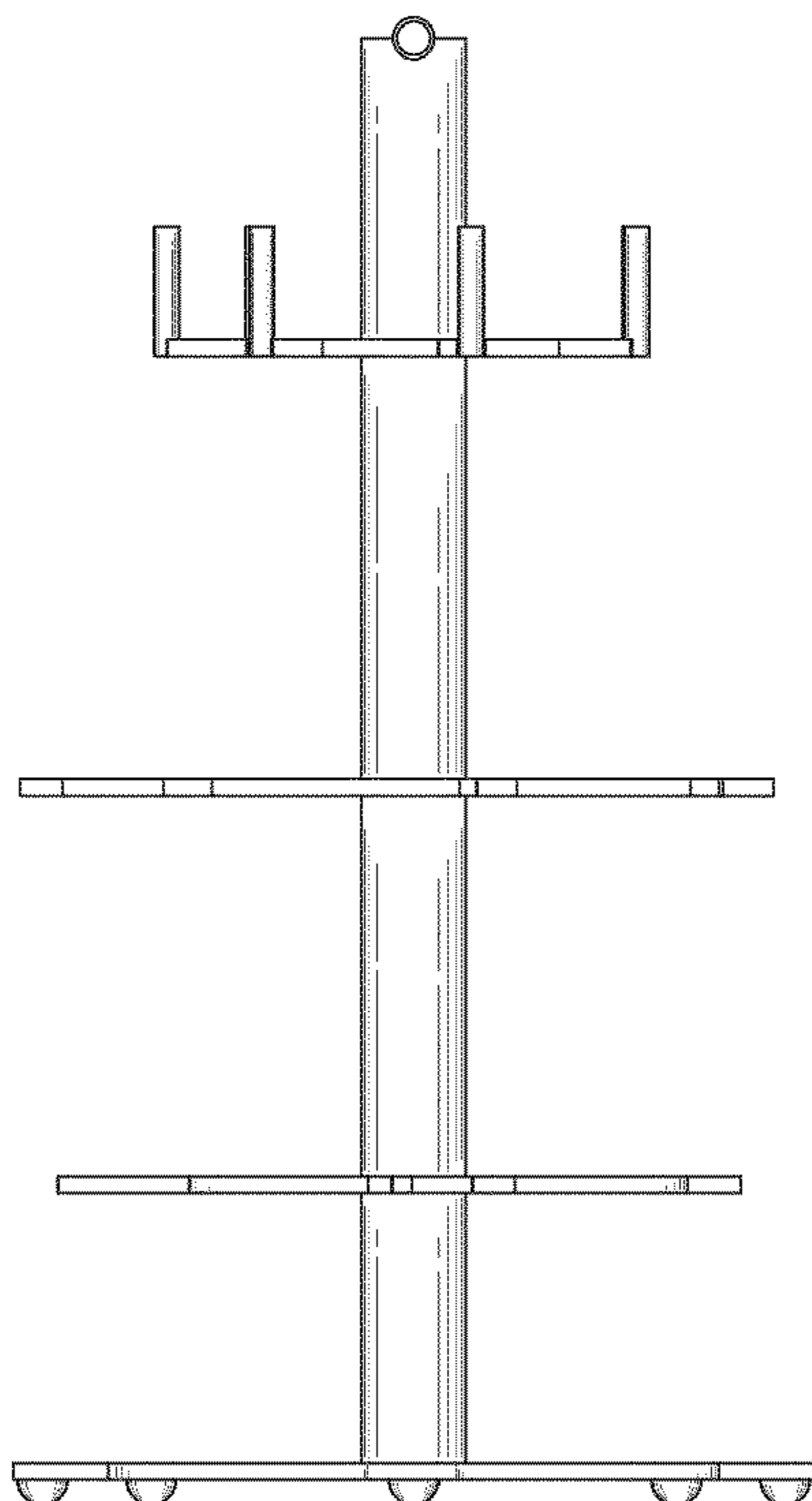
(57) **CLAIM**

What is claimed is the weldment fixture, as shown and described.

DESCRIPTION

FIG. 1 shows a side view of an embodiment of the weldment fixture according to the disclosure.
FIG. 2 shows a front view of the embodiment of the weldment fixture according to the disclosure.
FIG. 3 shows a top view of the embodiment of the weldment fixture according to the disclosure.
FIG. 4 shows a bottom view of the embodiment of the weldment fixture according to the disclosure; and,
FIG. 5 shows a perspective view of the embodiment of the weldment fixture according to the disclosure.

1 Claim, 5 Drawing Sheets



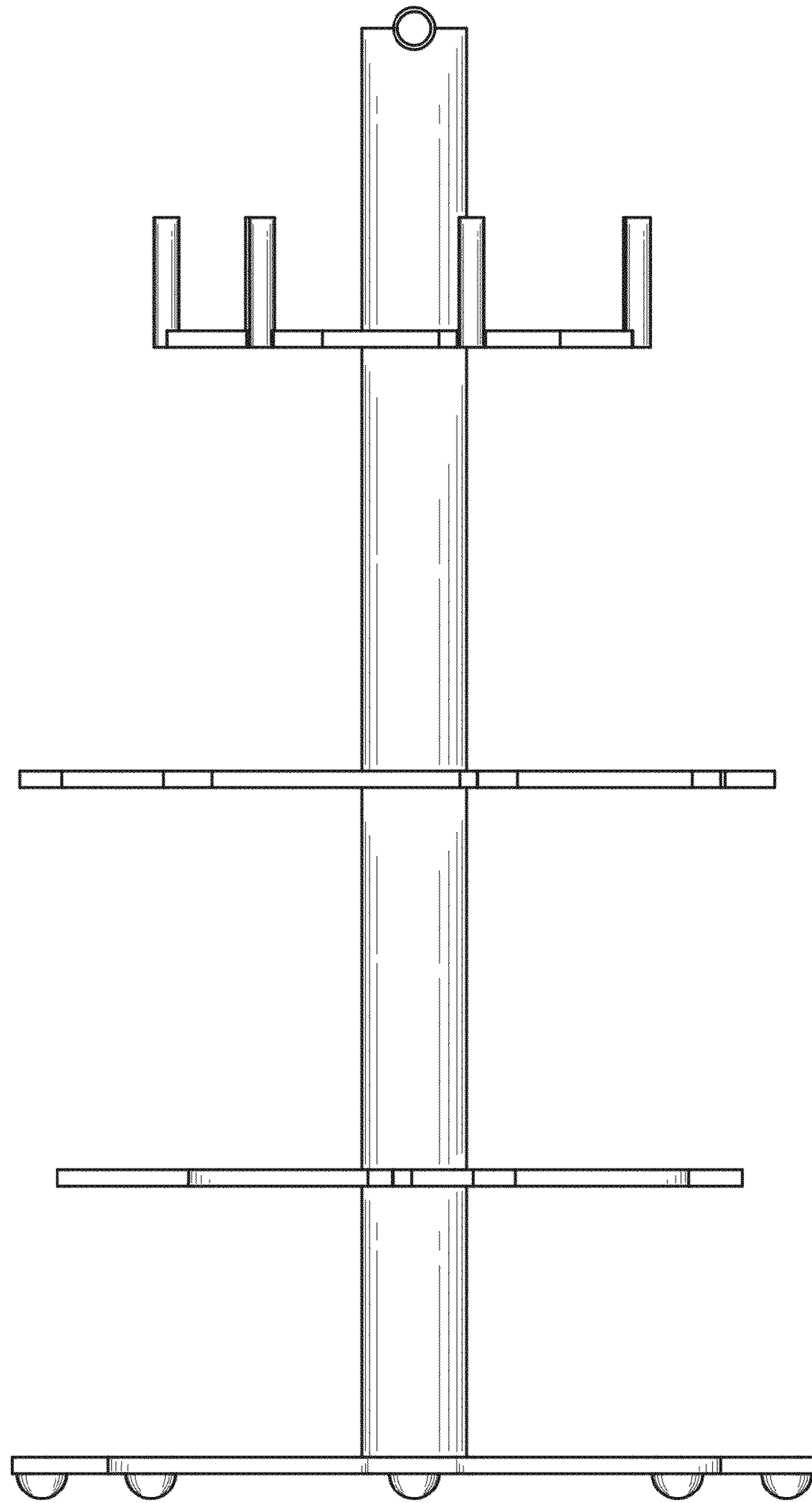


FIG. 1

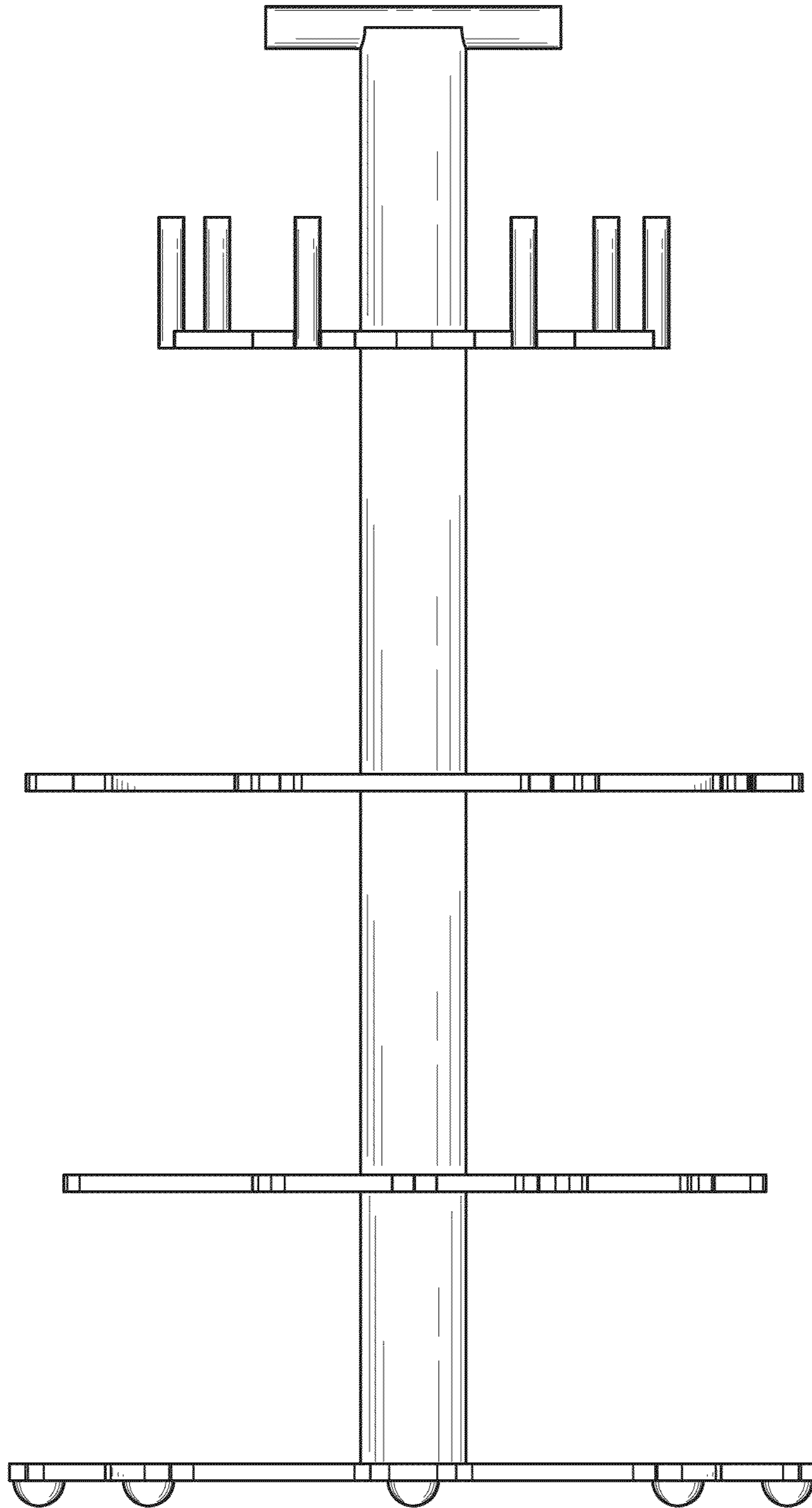


FIG. 2

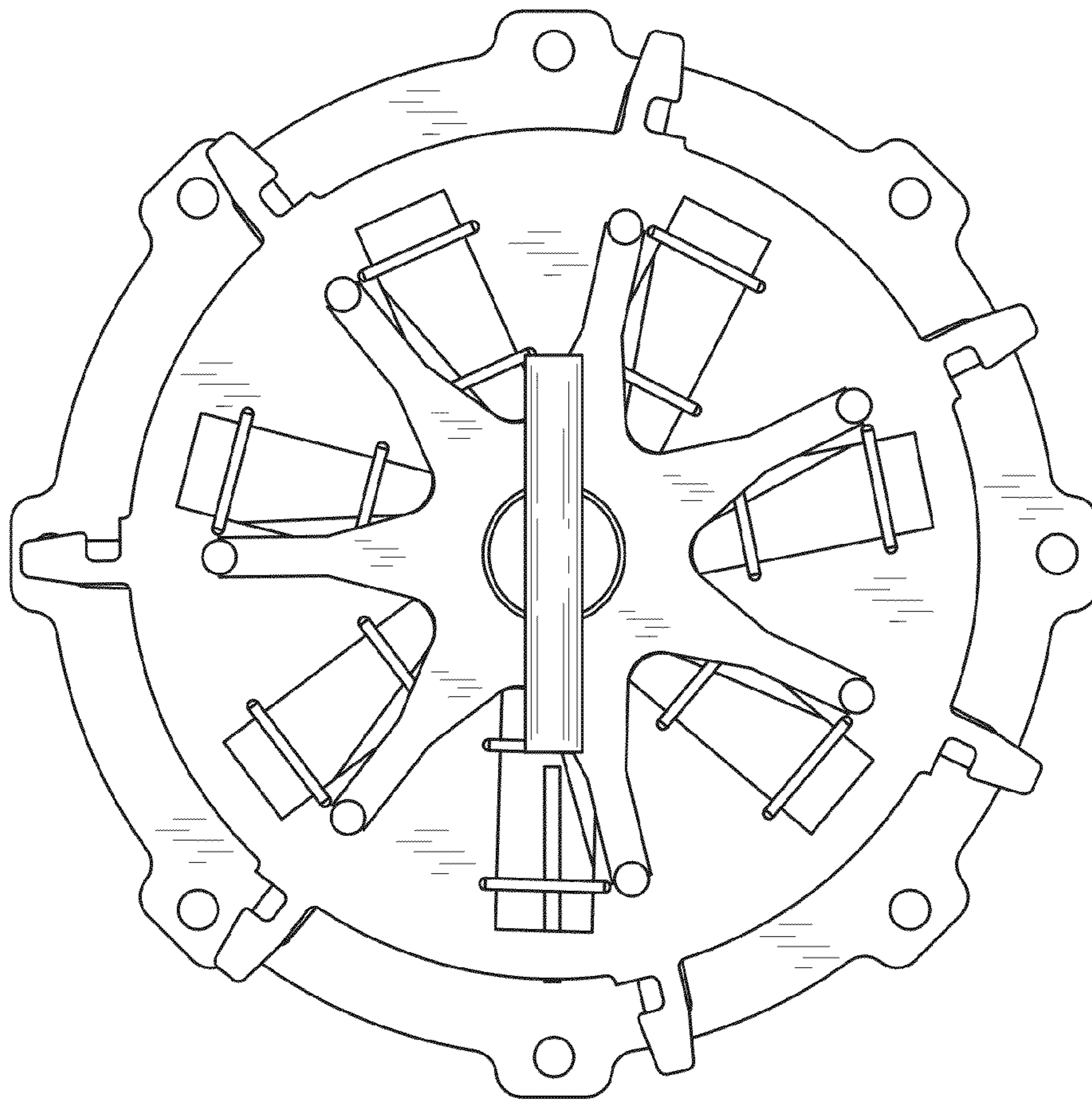


FIG. 3

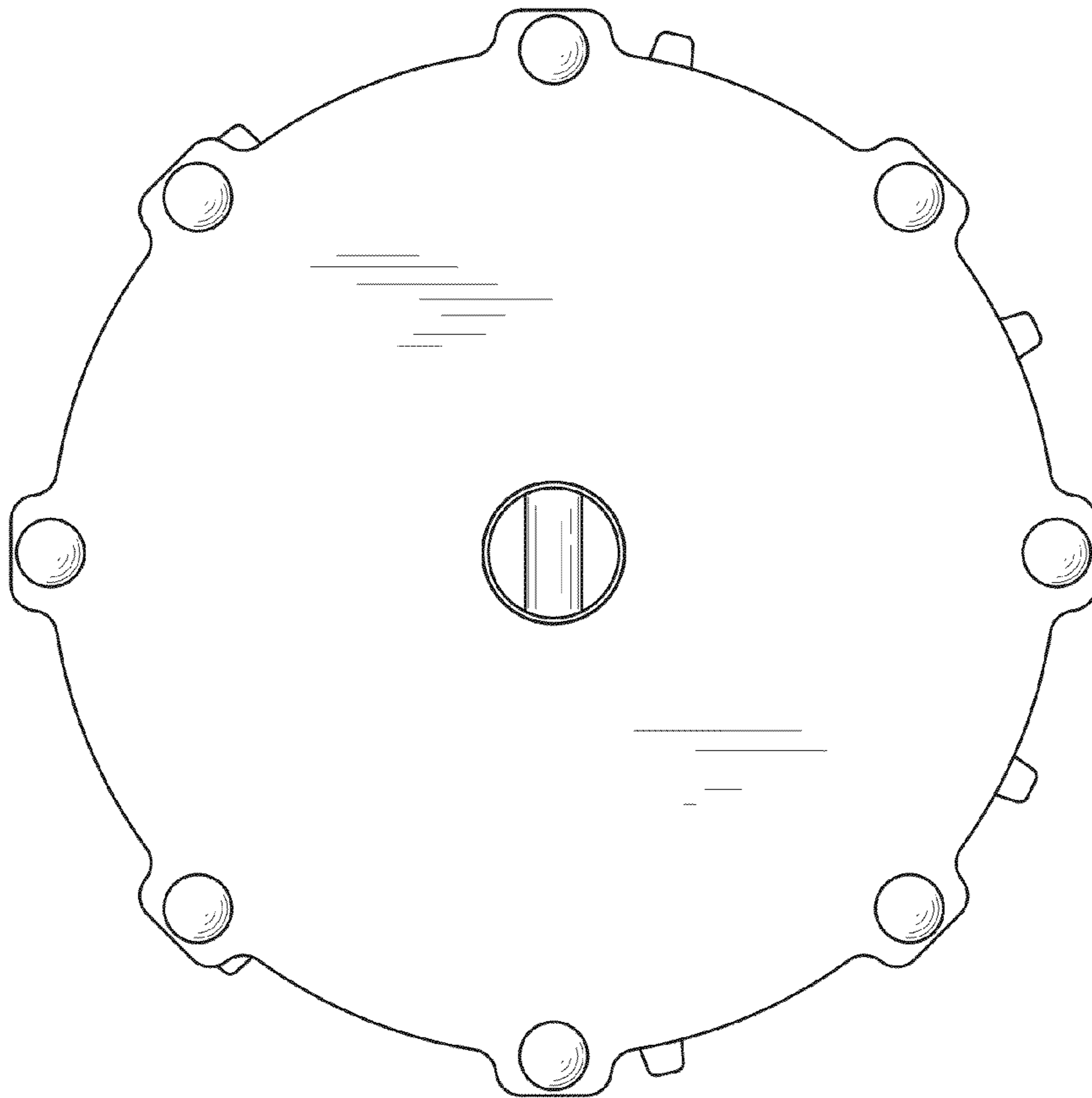


FIG. 4

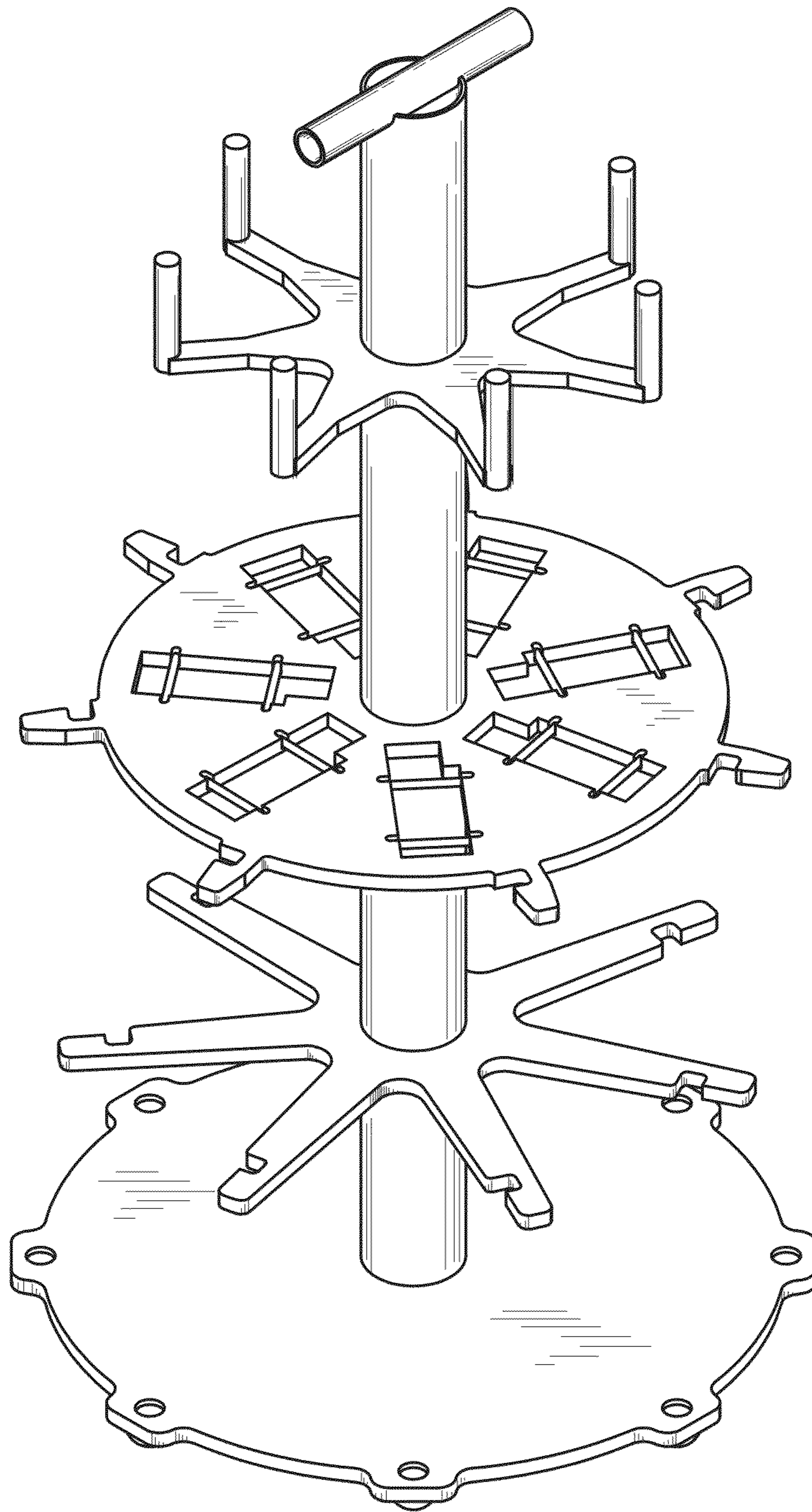


FIG. 5