



US00D689106S

(12) **United States Design Patent**  
**Coleman et al.**

(10) **Patent No.:** **US D689,106 S**  
(45) **Date of Patent:** **\*\* Sep. 3, 2013**

(54) **BATH SPONGE SOAP MOLD**

(76) Inventors: **Mary Coleman**, West Bloomfield, MI (US); **Sylvester Jennings**, Detroit, MI (US); **Pearlean Jennings**, Detroit, MI (US)

(\*\*) **Term:** **14 Years**

(21) **Appl. No.:** **29/393,336**

(22) **Filed:** **Jun. 2, 2011**

(51) **LOC (9) Cl.** ..... **15-09**

(52) **U.S. Cl.**  
USPC ..... **D15/136**

(58) **Field of Classification Search**  
USPC ..... D3/303; D4/137, 138, 154; D6/608; D15/135, 136; D28/63; D32/35, 36, 40; 5/244.1; 15/104.93, 104.94, 105, 118, 121, 15/208, 209.1, 210.1, 222, 223, 226, 227, 15/229.11, 229.13, 244.3, 244.4; 66/170, 66/202; 206/77.1; 210/474, 497.01, 497.3; 224/254, 257, 610, 662; 300/21; 383/117; 401/7, 8, 201, 207; 425/201, 318, 395, 398, 425/408, 412, 419; 601/131, 135, 138  
See application file for complete search history.

(56) **References Cited**

**U.S. PATENT DOCUMENTS**

2,187,562 A \* 1/1940 Smith ..... 425/175  
2,697,847 A 12/1954 Levinson et al.  
2,817,865 A 12/1957 Arioli  
D233,254 S \* 10/1974 Abuza ..... D15/136

4,457,643 A 7/1984 Caniglia  
D358,599 S \* 5/1995 Dietterich et al. .... D15/135  
5,462,378 A \* 10/1995 Webb ..... 401/201  
D372,340 S 7/1996 Wendel  
D413,477 S 9/1999 Chaney  
6,318,922 B1 11/2001 Briggs  
D482,050 S \* 11/2003 Graham ..... D15/136  
6,783,294 B2 8/2004 Duden et al.  
D580,117 S 11/2008 Shaw  
D645,887 S \* 9/2011 Schlichting ..... D15/135  
2007/0065224 A1 \* 3/2007 Shaw ..... 401/201

**OTHER PUBLICATIONS**

Http://stores.channeladvisor.com; Gleanlogic Sponge Soap; Internet; Jun. 29, 2009.

\* cited by examiner

*Primary Examiner* — Patricia Palasik

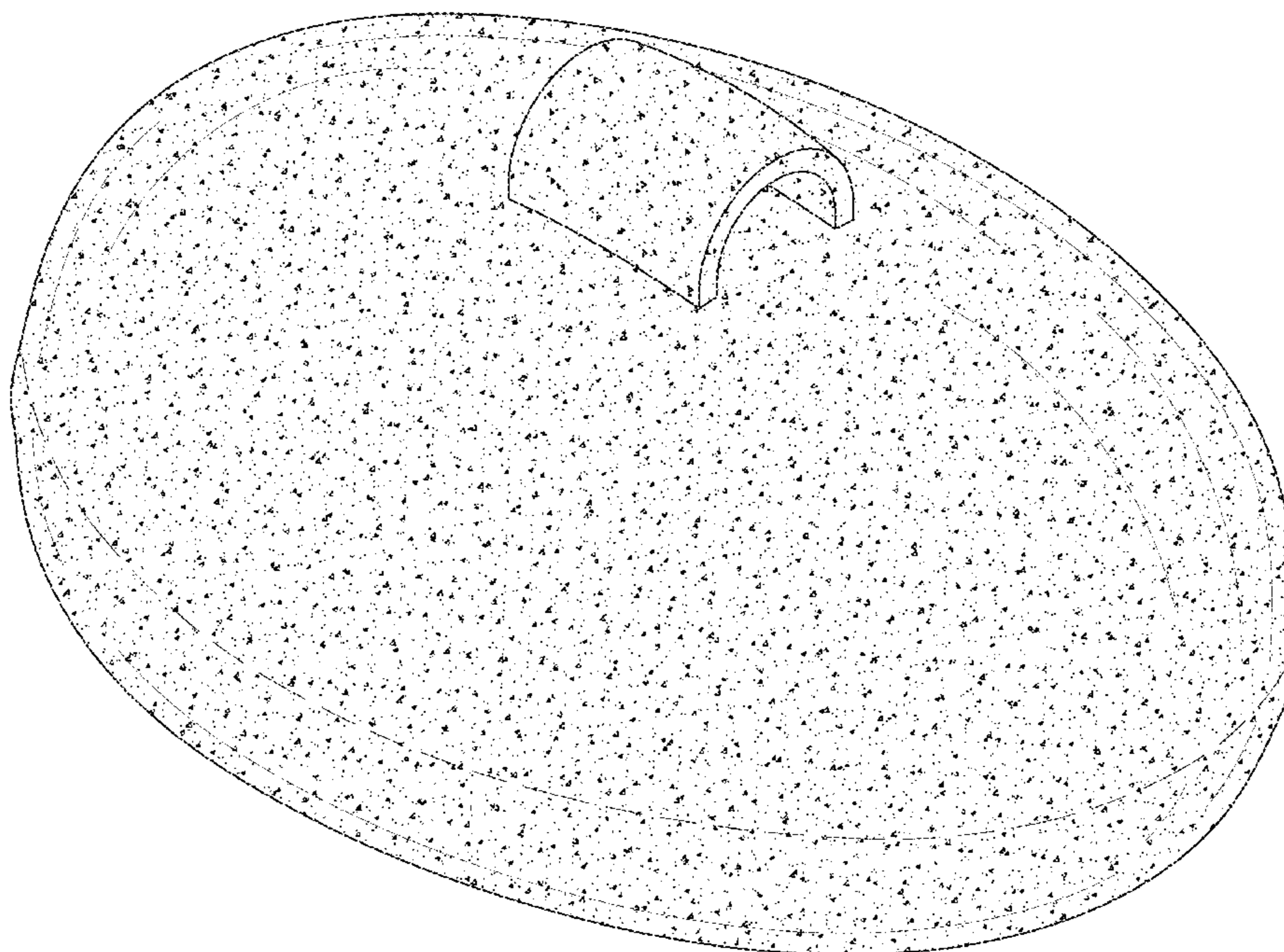
(57) **CLAIM**

The ornamental design a bath sponge soap mold, as shown and described.

**DESCRIPTION**

FIG. 1 is a side view (opposite side view is mirror image) of a bath sponge soap mold showing my new design; FIG. 2 is a front view (back view is mirror image) thereof; FIG. 3 is a top view thereof; FIG. 4 is a bottom view thereof; FIG. 5 is a cross-sectional view of FIG. 1 thereof; FIG. 6 is a cross-sectional view of FIG. 2 thereof; FIG. 7 is a cross-sectional view of FIG. 4 thereof; and, FIG. 8 is a perspective view thereof.

**1 Claim, 8 Drawing Sheets**



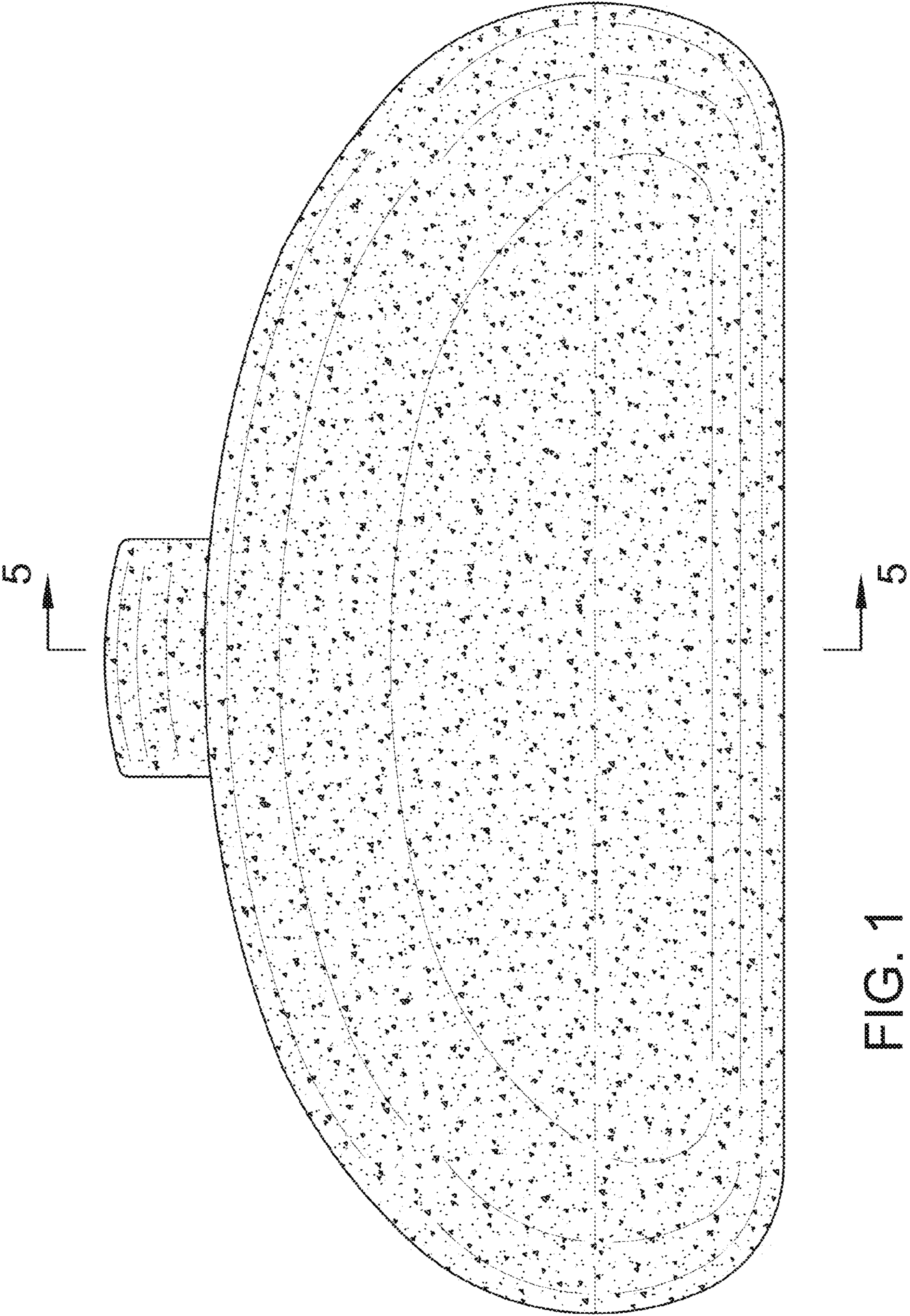


FIG. 1

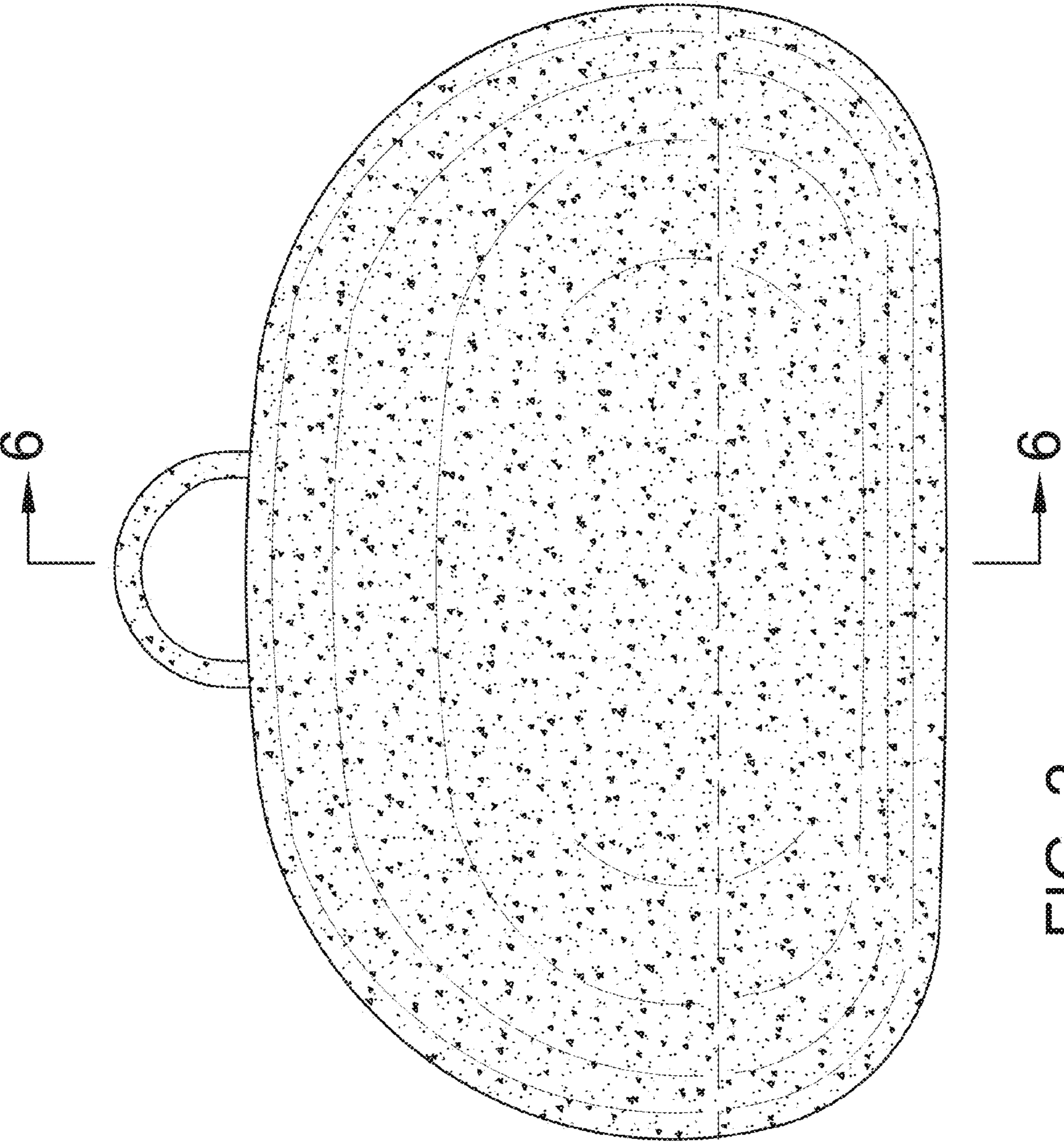


FIG. 2

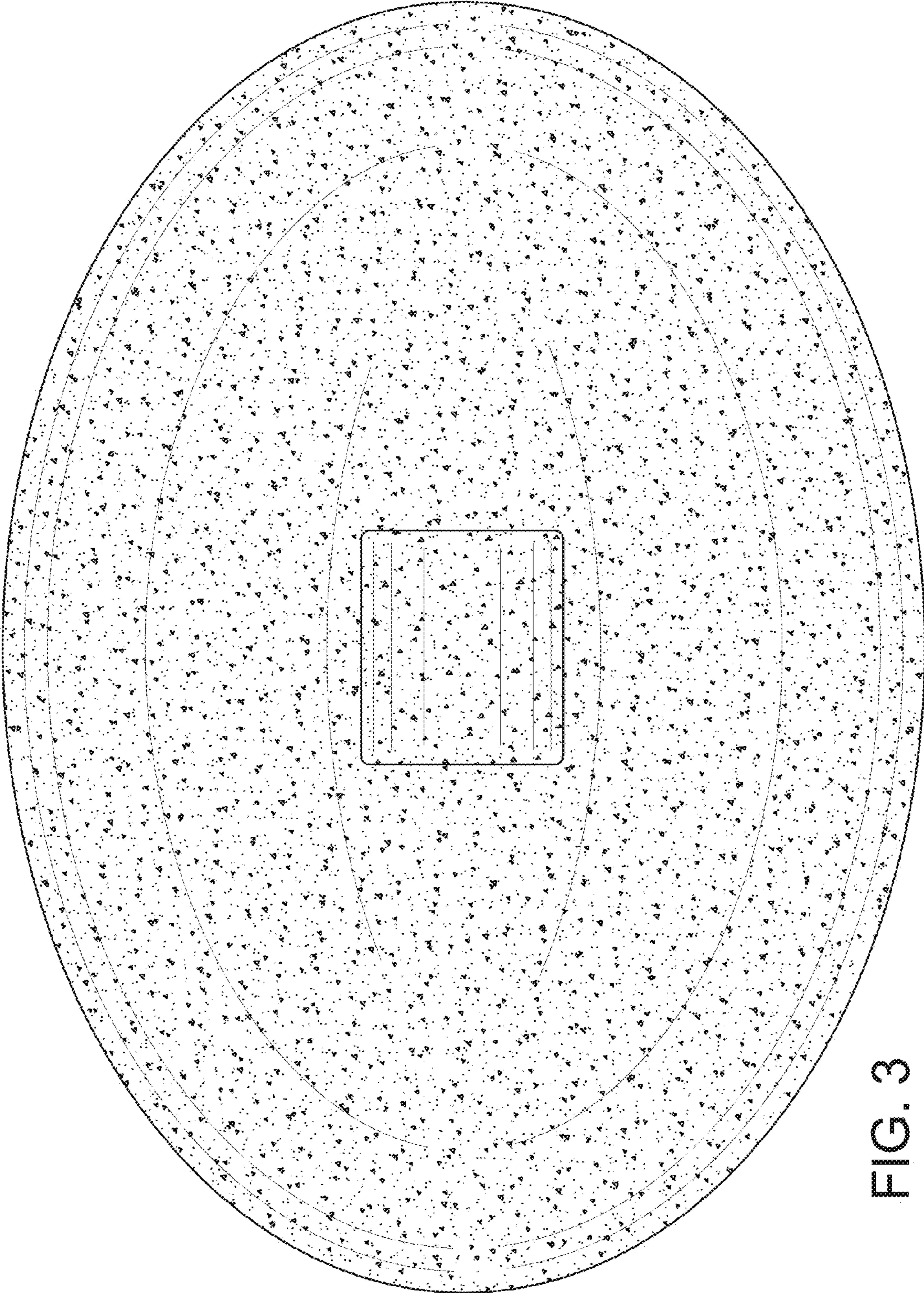


FIG. 3

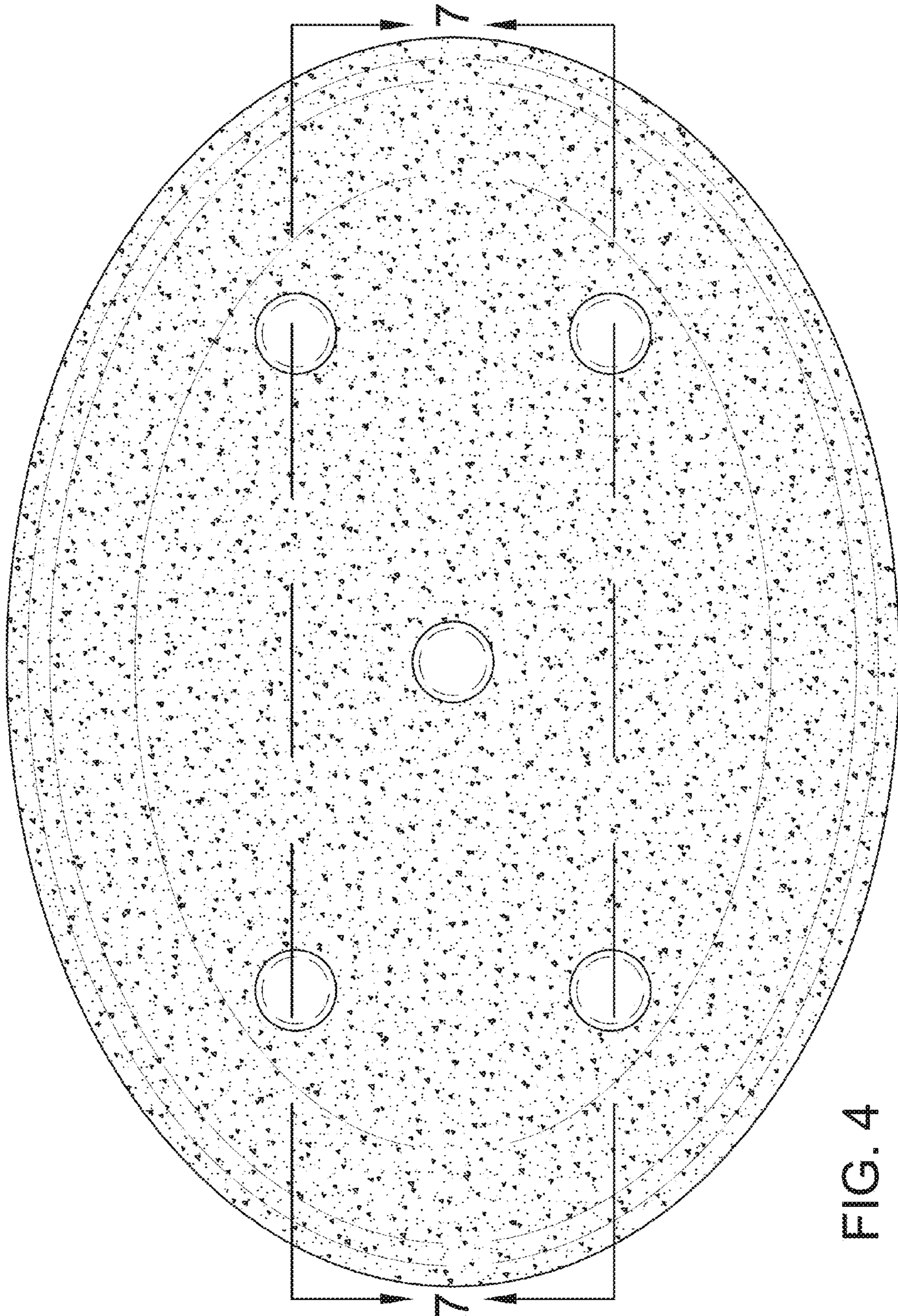


FIG. 4

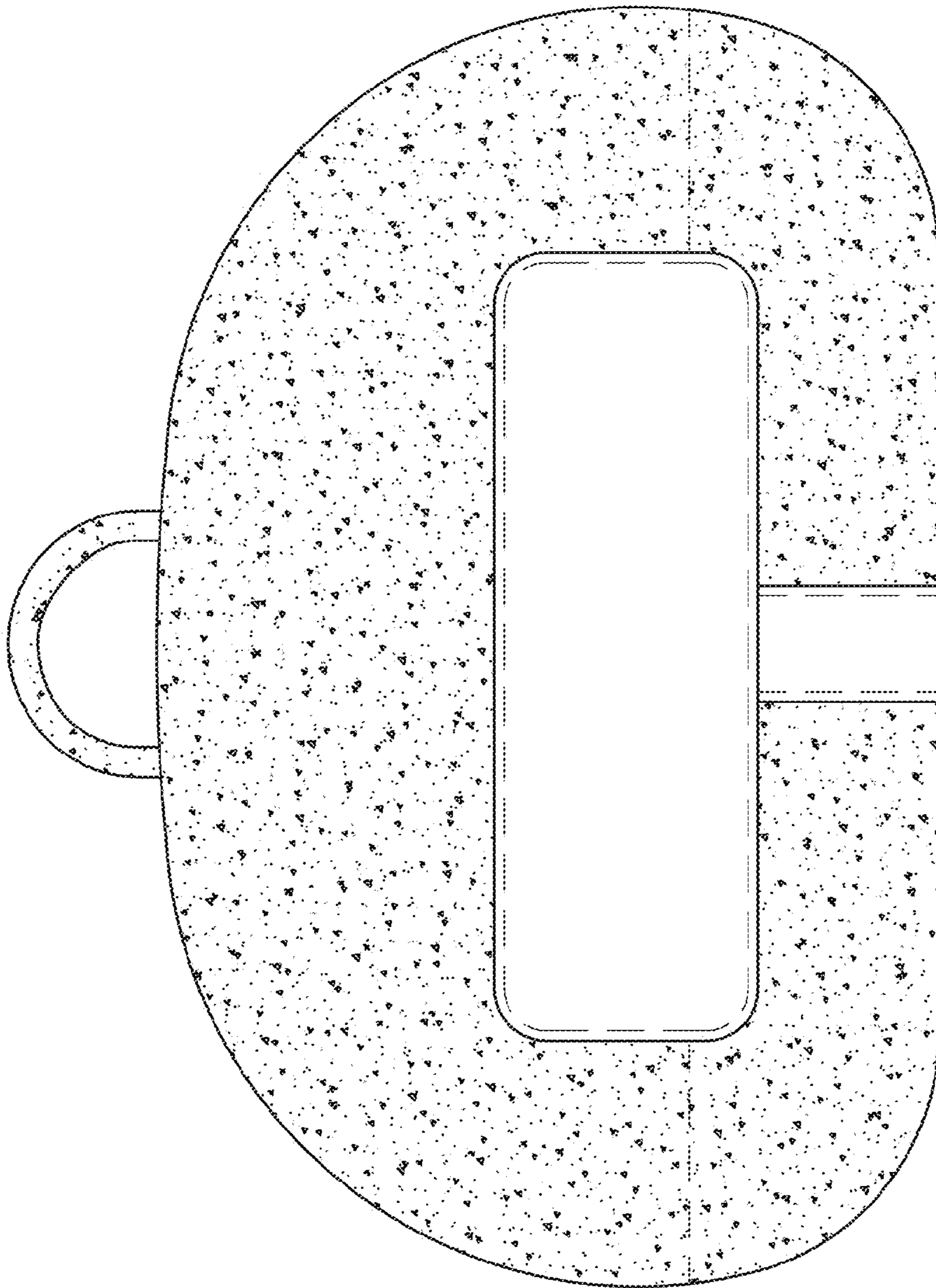


FIG. 5

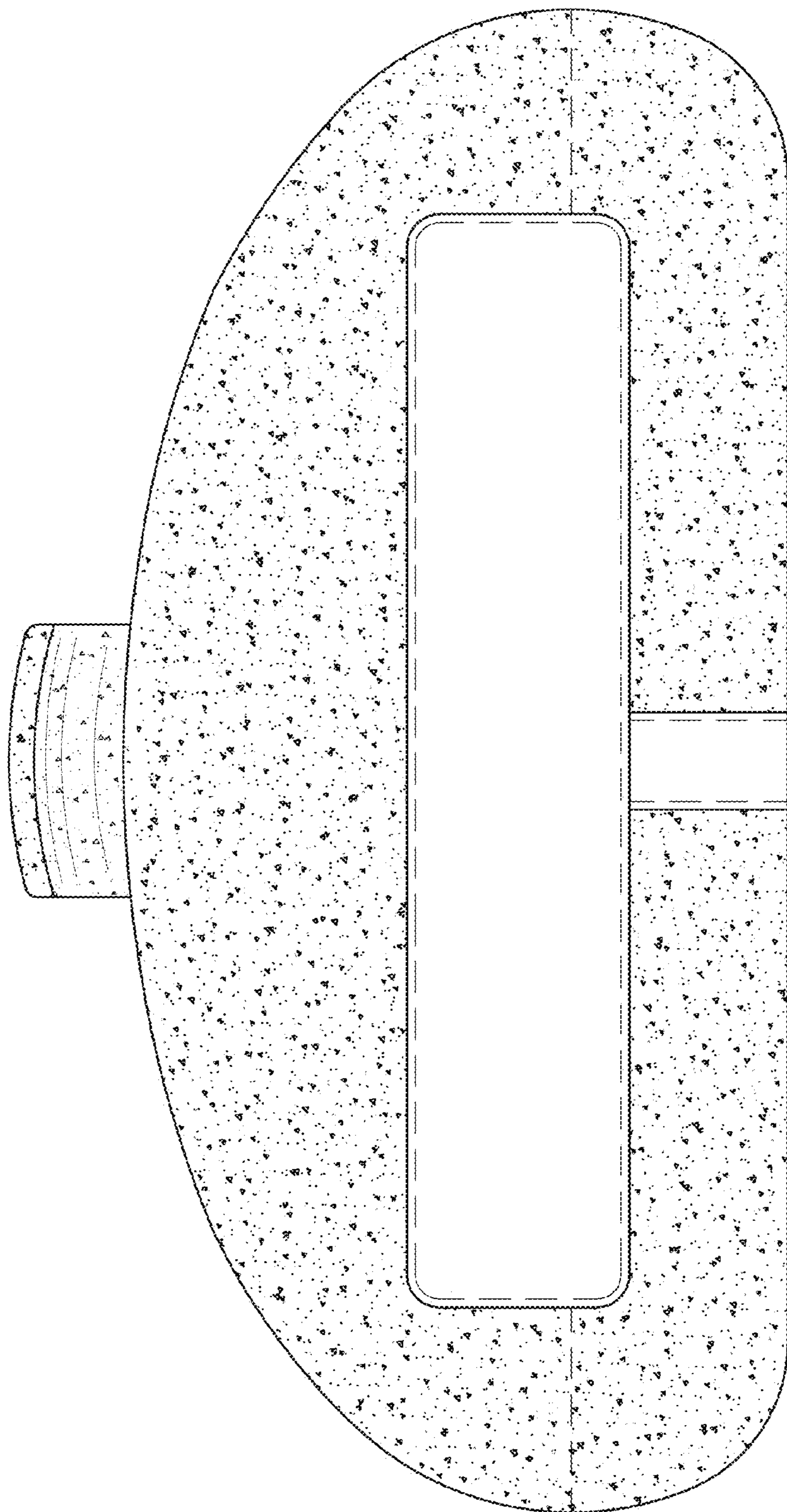


FIG. 6

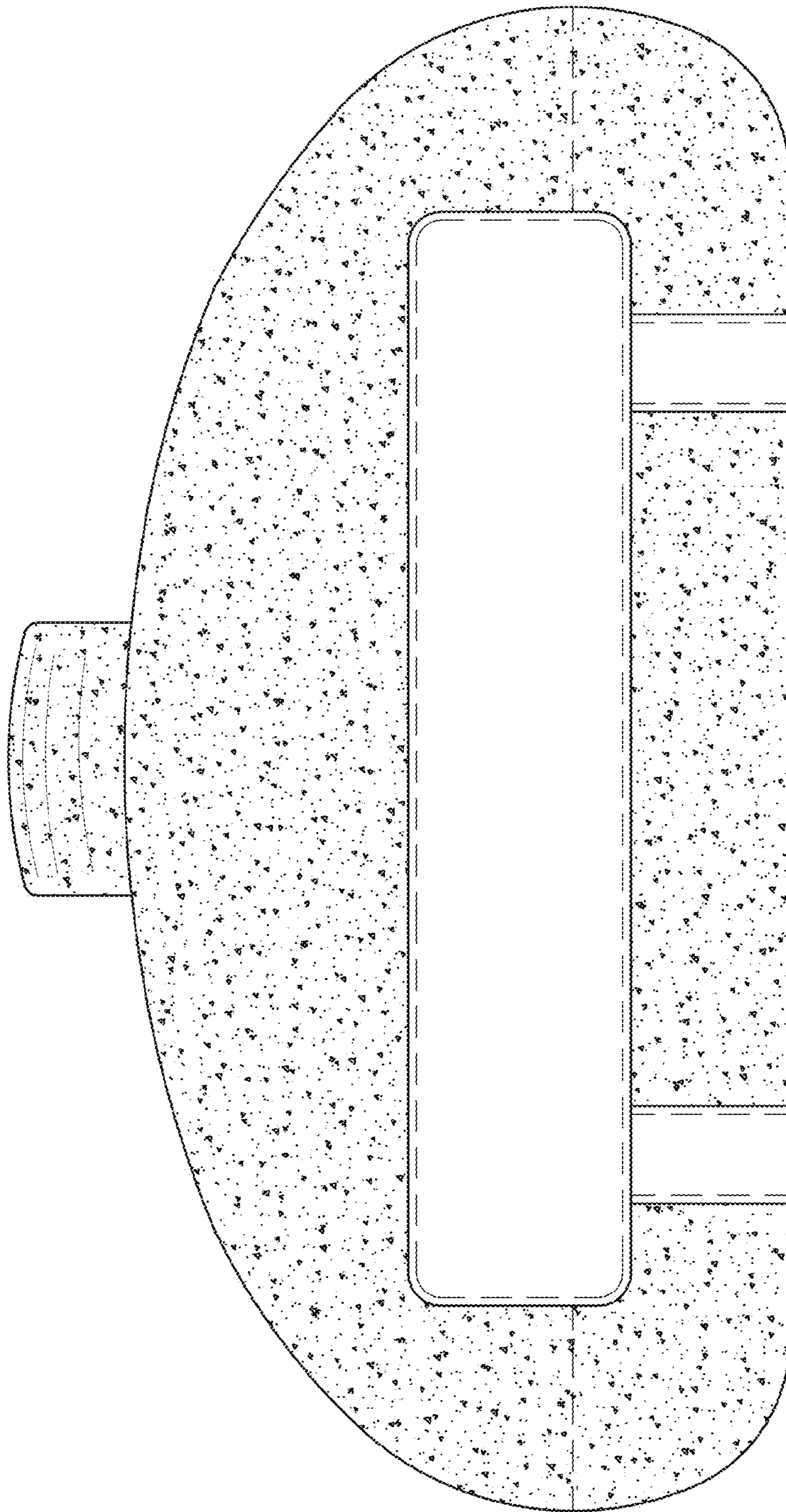


FIG. 7



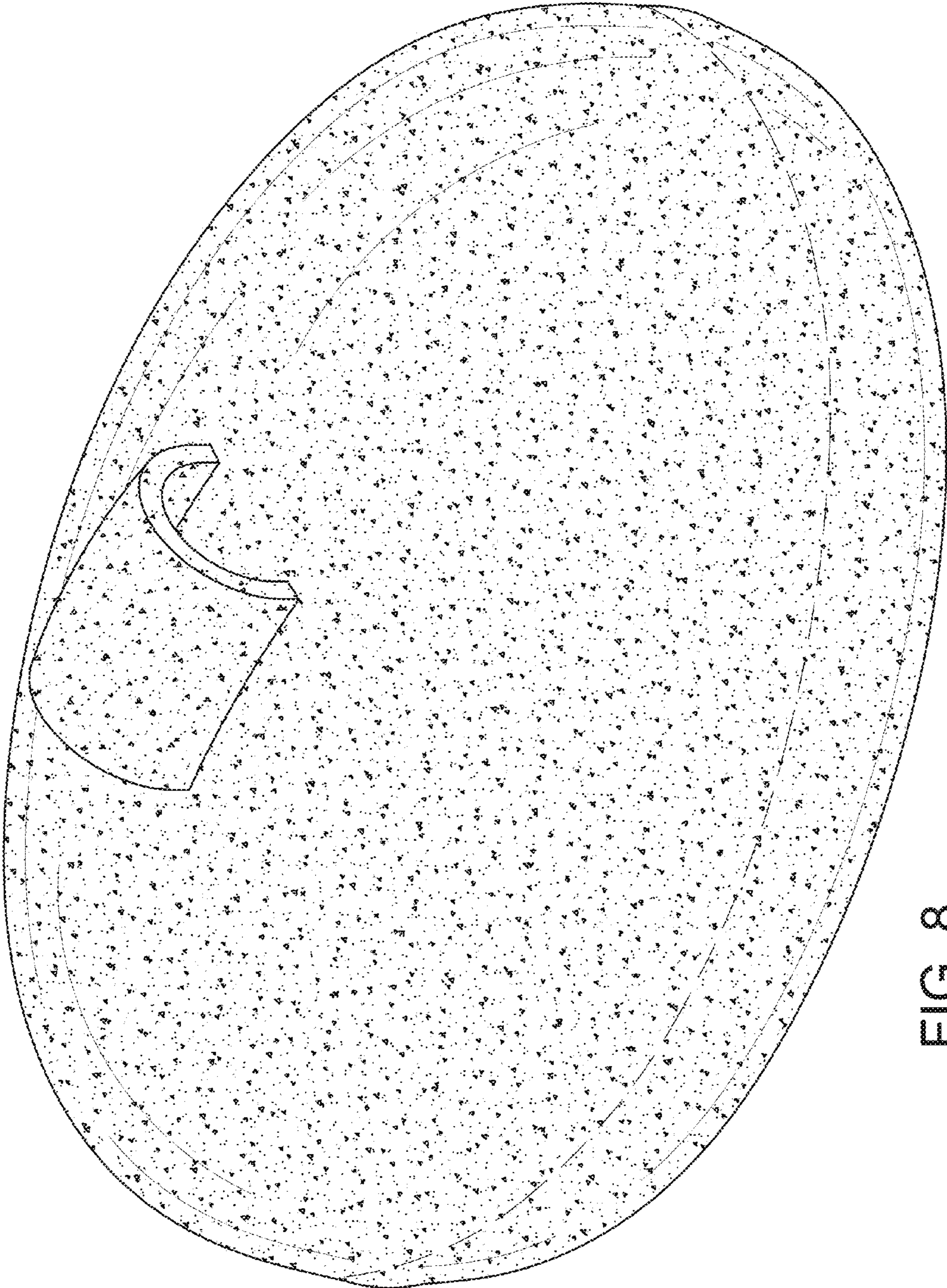


FIG. 8