



US00D689105S

(12) **United States Design Patent**  
**Dockery et al.**

(10) **Patent No.:** **US D689,105 S**

(45) **Date of Patent:** **\*\* Sep. 3, 2013**

(54) **OVERHEAD DRILL MACHINE WITH  
OFFSET ACTIVATION PROBE AND TRIGGER  
MECHANISM**

(71) Applicants: **Chad Dockery**, Simi Valley, CA (US);  
**Forrest Dockery**, Simi Valley, CA (US)

(72) Inventors: **Chad Dockery**, Simi Valley, CA (US);  
**Forrest Dockery**, Simi Valley, CA (US)

(\*\*) Term: **14 Years**

(21) Appl. No.: **29/441,682**

(22) Filed: **Jan. 8, 2013**

(51) **LOC (9) Cl.** ..... **15-09**

(52) **U.S. Cl.**  
USPC ..... **D15/132**

(58) **Field of Classification Search**  
USPC ..... D8/70, 71; D15/132, 138, 140, 141;  
29/35; 408/14, 35, 87, 90, 135, 141, 202,  
408/234, 235, 236, 241 S, 112, 113  
See application file for complete search history.

(56) **References Cited**

U.S. PATENT DOCUMENTS

2,670,638	A *	3/1954	Roy, Sr.	408/112
3,907,452	A *	9/1975	Tripp	408/56
D246,947	S *	1/1978	Glover	D8/71
D248,727	S *	8/1978	Sperber	D8/71
D252,995	S *	9/1979	Tiedemann, Jr.	D15/140
D255,578	S *	6/1980	Herczeg	D15/140

D305,607	S *	1/1990	Andrews	D8/70
D361,774	S *	8/1995	Barry	D15/133
D531,477	S *	11/2006	Aglassinger	D8/70
7,534,078	B1 *	5/2009	Mischler	409/235
7,708,505	B2 *	5/2010	Opsitos et al.	408/1 R
2004/0057805	A1 *	3/2004	Azema	408/234
2004/0090126	A1 *	5/2004	Hsu et al.	310/12
2006/0082041	A1 *	4/2006	Huffman	269/265
2008/0056833	A1 *	3/2008	Lay et al.	408/76

\* cited by examiner

*Primary Examiner* — Patricia Palasik

(74) *Attorney, Agent, or Firm* — QuickPatents; Kevin Prince

(57) **CLAIM**

We claim the ornamental design for an overhead drill machine with offset activation probe and trigger mechanism, as shown and described.

**DESCRIPTION**

FIG. 1 is a top perspective view of an overhead drill machine with offset activation probe and trigger mechanism, showing our new design;

FIG. 2 is a bottom perspective view thereof;

FIG. 3 is a left-side elevational view thereof;

FIG. 4 is a right-side elevational view thereof;

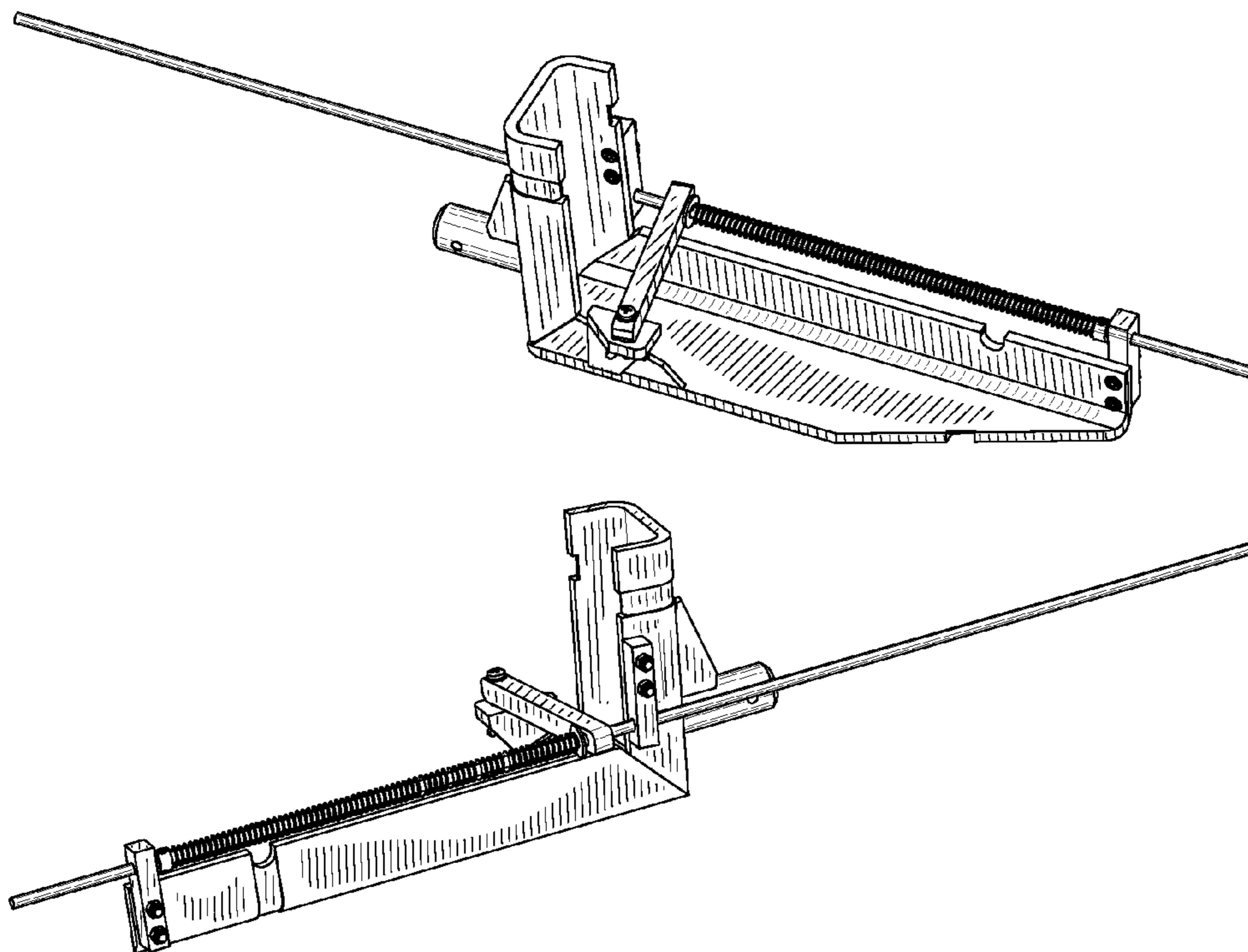
FIG. 5 is a top plan view thereof;

FIG. 6 is a bottom plan view thereof;

FIG. 7 is a front elevational view thereof; and,

FIG. 8 is a rear elevational view thereof.

**1 Claim, 3 Drawing Sheets**



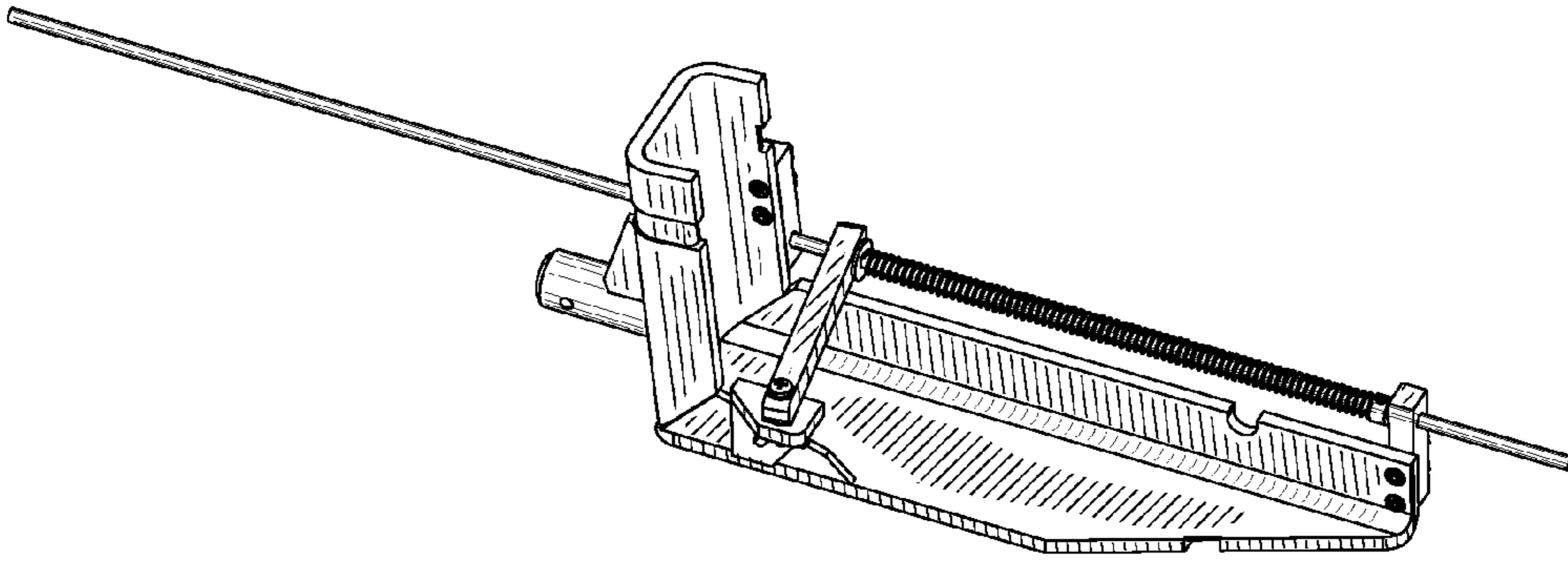


FIG. 1

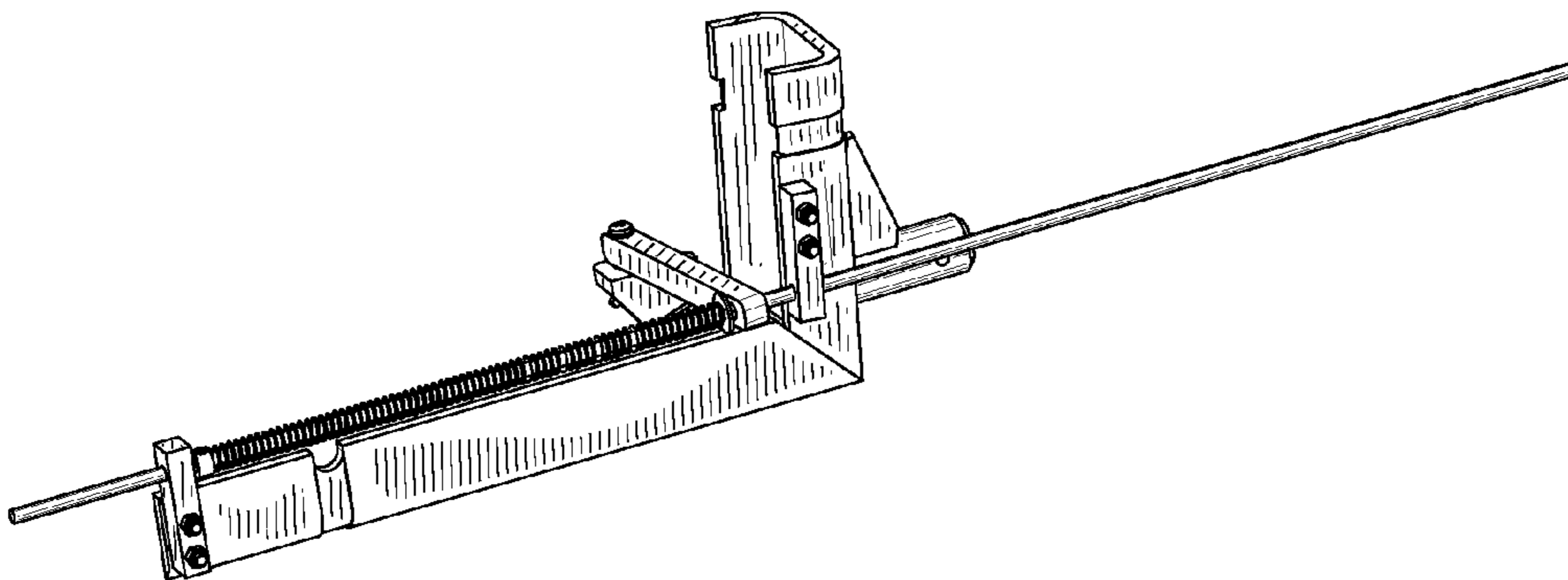


FIG. 2

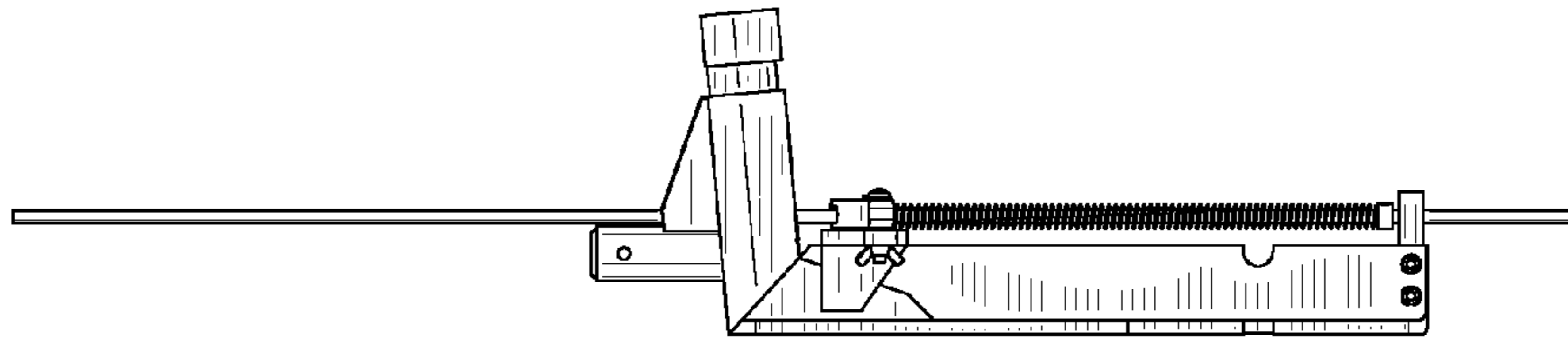


FIG. 3

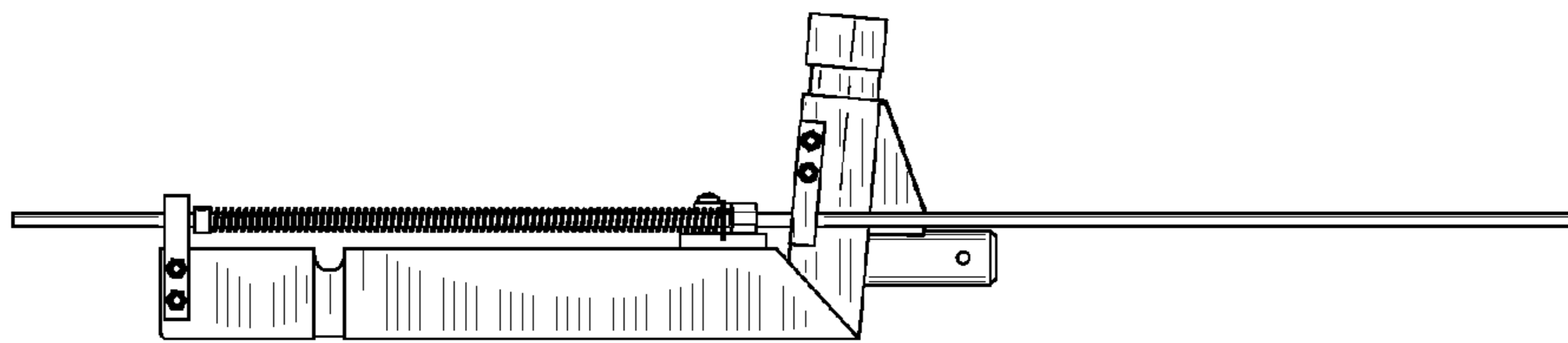


FIG. 4

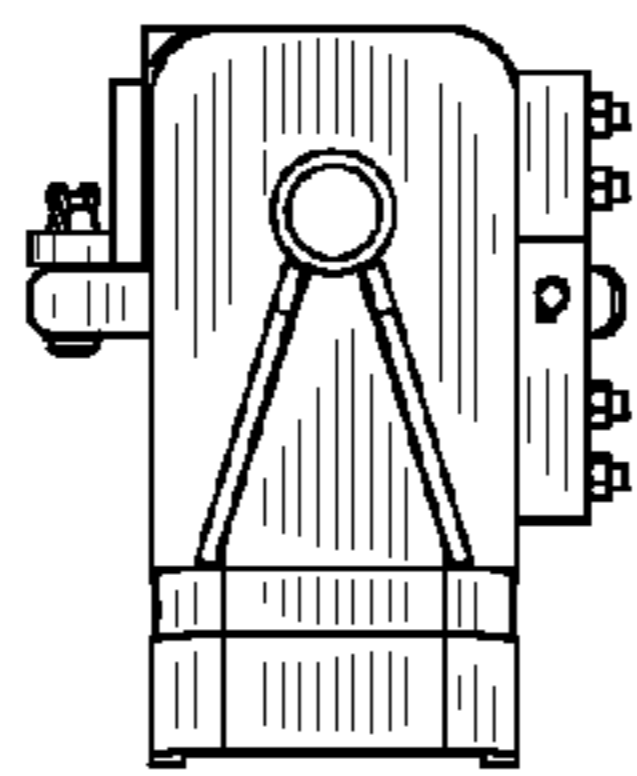


FIG. 5

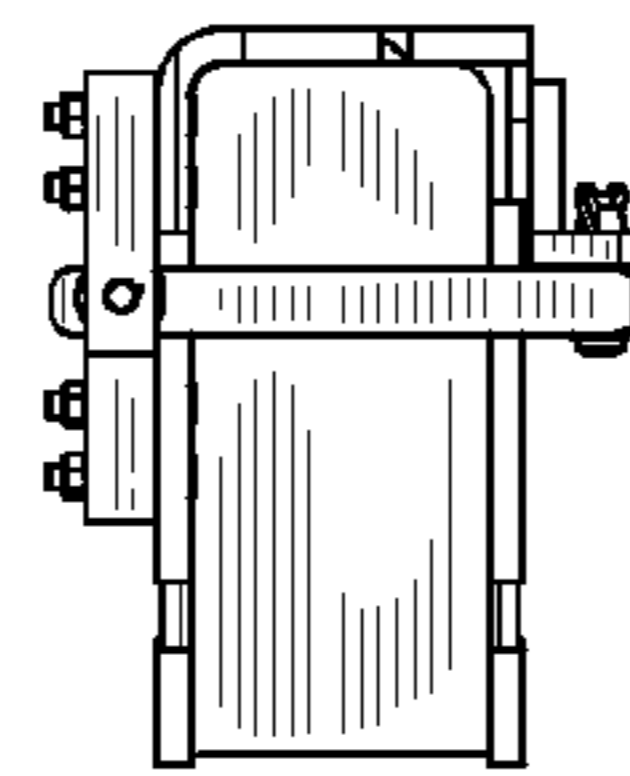


FIG. 6

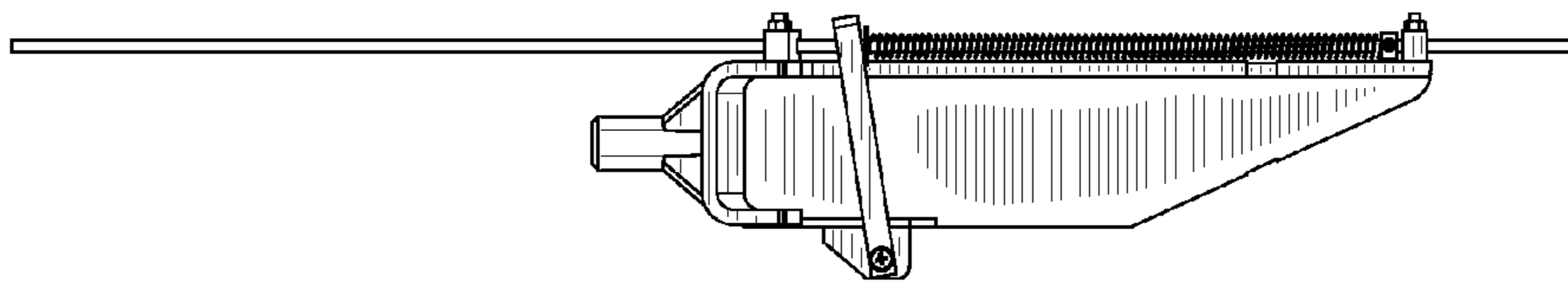


FIG. 7

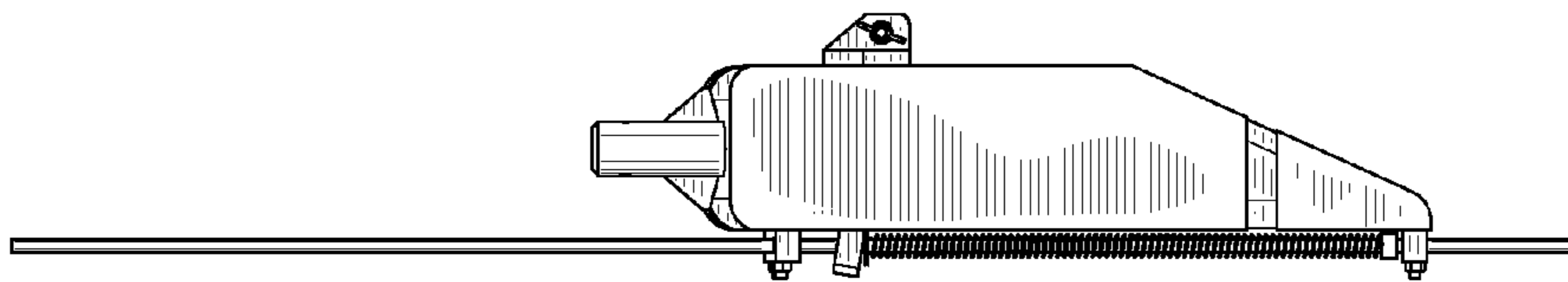


FIG. 8