



US00D689102S

(12) **United States Design Patent**
Ugolini et al.

(10) **Patent No.:** **US D689,102 S**
(45) **Date of Patent:** **** Sep. 3, 2013**

(54) **ICE CREAM DISPENSER**
(75) Inventors: **Marco Ugolini**, Milan (IT); **Silvano Garavaglia**, Cusago (IT)
(73) Assignee: **Societe des Produits Nestle S.A.**, Vevey (CH)

D321,697 S * 11/1991 Blaustein et al. D15/82
D466,138 S * 11/2002 Baldonado et al. D15/82
D651,619 S * 1/2012 Salin D15/82
D662,526 S * 6/2012 Tulisi D15/82
D671,568 S * 11/2012 Pelayo et al. D15/82
D671,963 S * 12/2012 Pelayo et al. D15/82

* cited by examiner

(**) Term: **14 Years**

Primary Examiner — Mitchell Siegel

(21) Appl. No.: **29/426,541**

(74) *Attorney, Agent, or Firm* — K&L Gates LLP

(22) Filed: **Jul. 6, 2012**

(51) **LOC (9) Cl.** **15-07**

(52) **U.S. Cl.**
USPC **D15/82**

(58) **Field of Classification Search**
USPC D15/79-82; D7/307-308, 369-371;
62/76, 305, 309, 342-345, 374, 376; 222/129.1,
222/311; 362/231, 244, 289, 144, 400-408;
366/144, 149, 314, 312
See application file for complete search history.

(57) **CLAIM**

The ornamental design for an ice cream dispenser, as shown and described.

DESCRIPTION

FIG. 1 illustrates a front perspective view of the ice cream dispenser showing our new design;
FIG. 2 illustrates a front elevation view thereof;
FIG. 3 illustrates a rear elevation view thereof;
FIG. 4 illustrates a left side elevation view thereof;
FIG. 5 illustrates a right side elevation view thereof;
FIG. 6 illustrates a top view thereof; and,
FIG. 7 illustrates a bottom view thereof.

(56) **References Cited**

U.S. PATENT DOCUMENTS

D217,650 S * 5/1970 Lofgren D7/308
D261,890 S * 11/1981 Caspersen D15/82

1 Claim, 7 Drawing Sheets

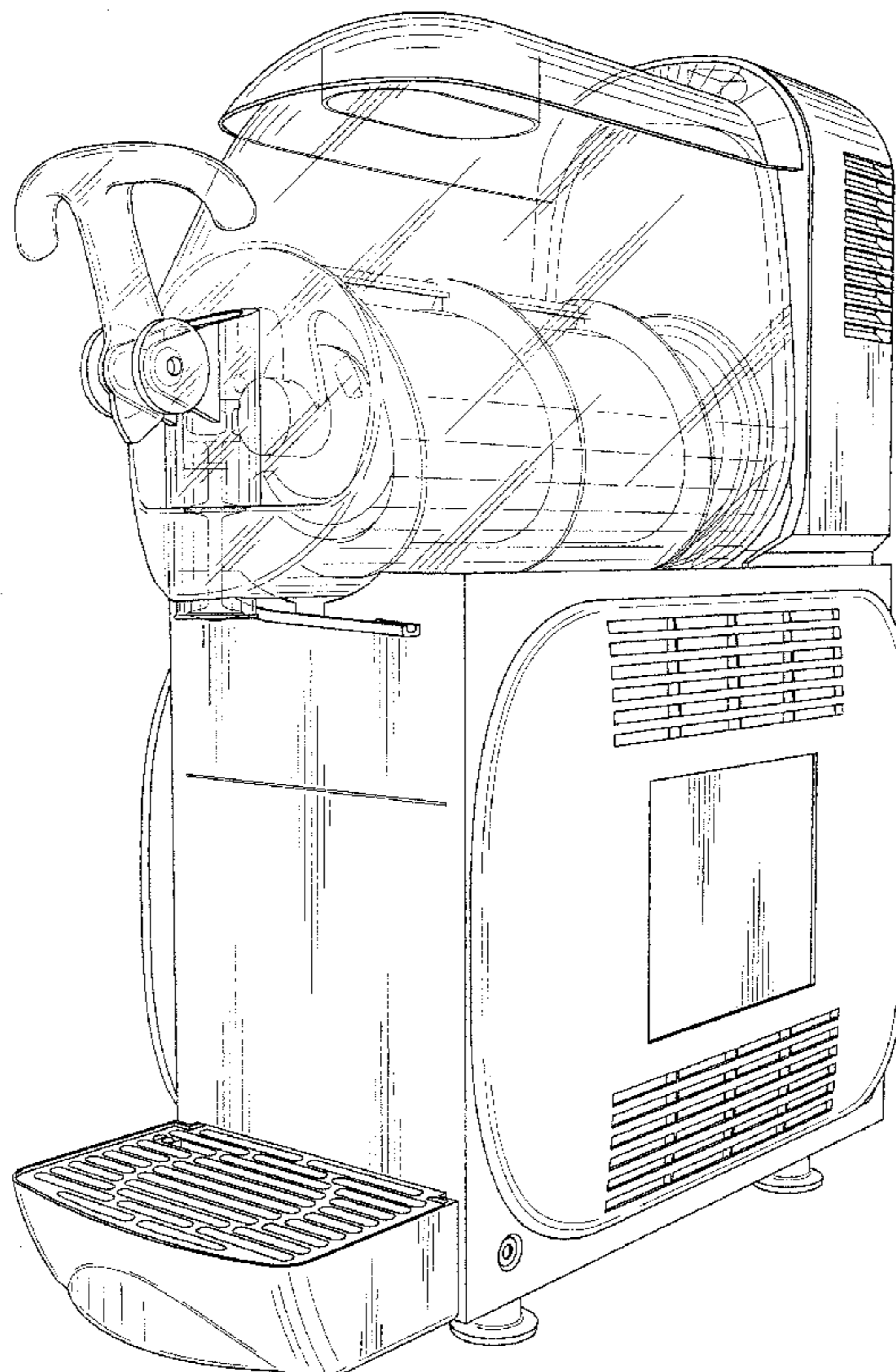


FIG. 1

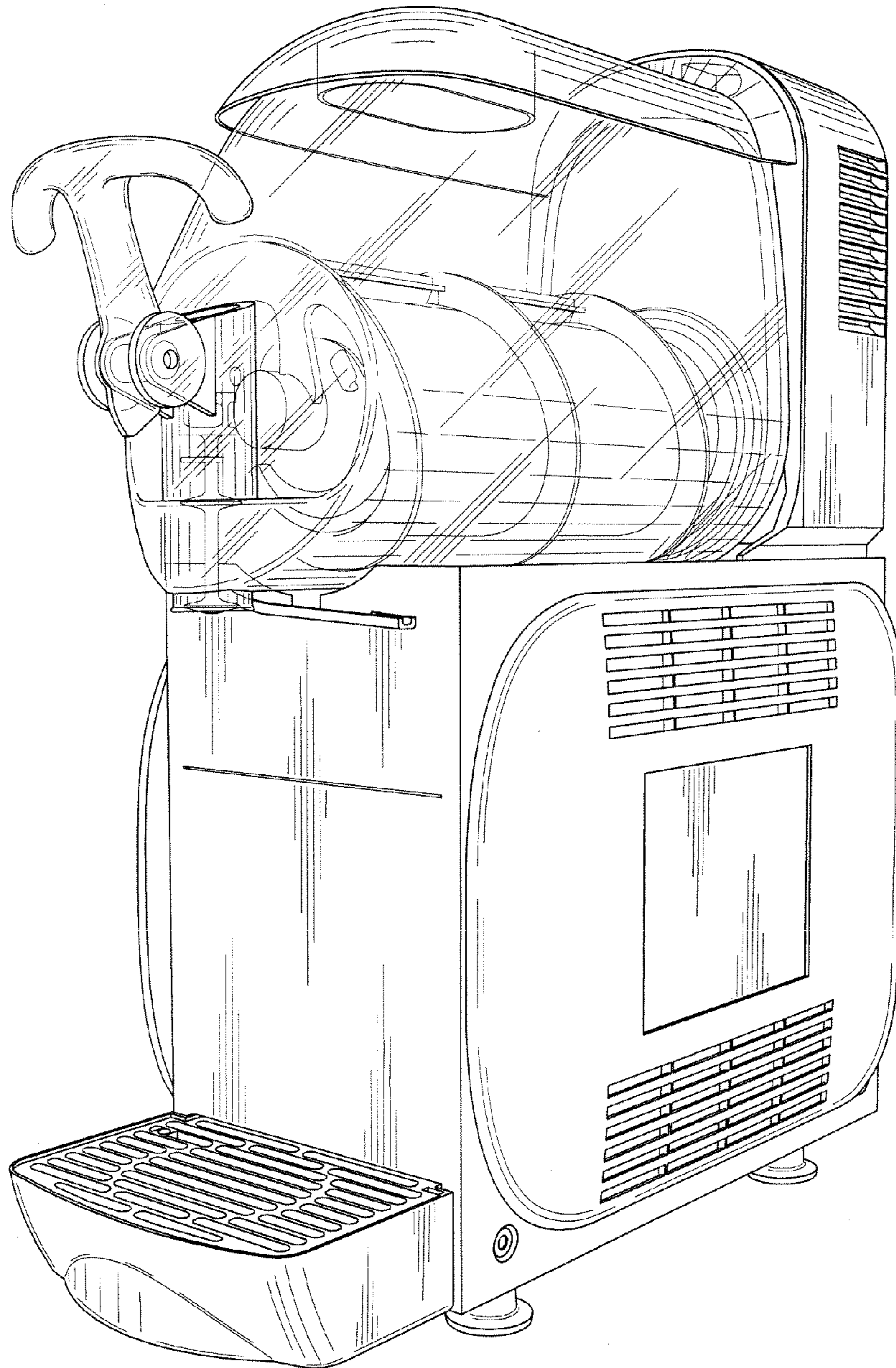


FIG. 2

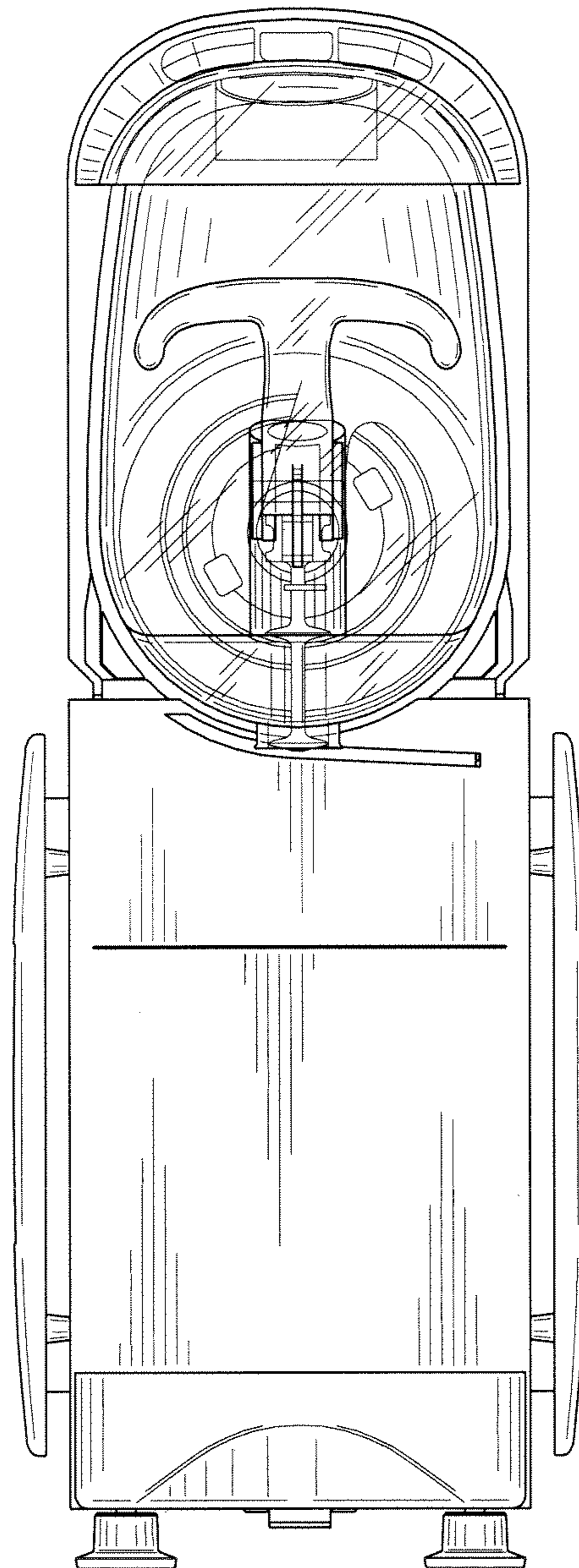


FIG. 3

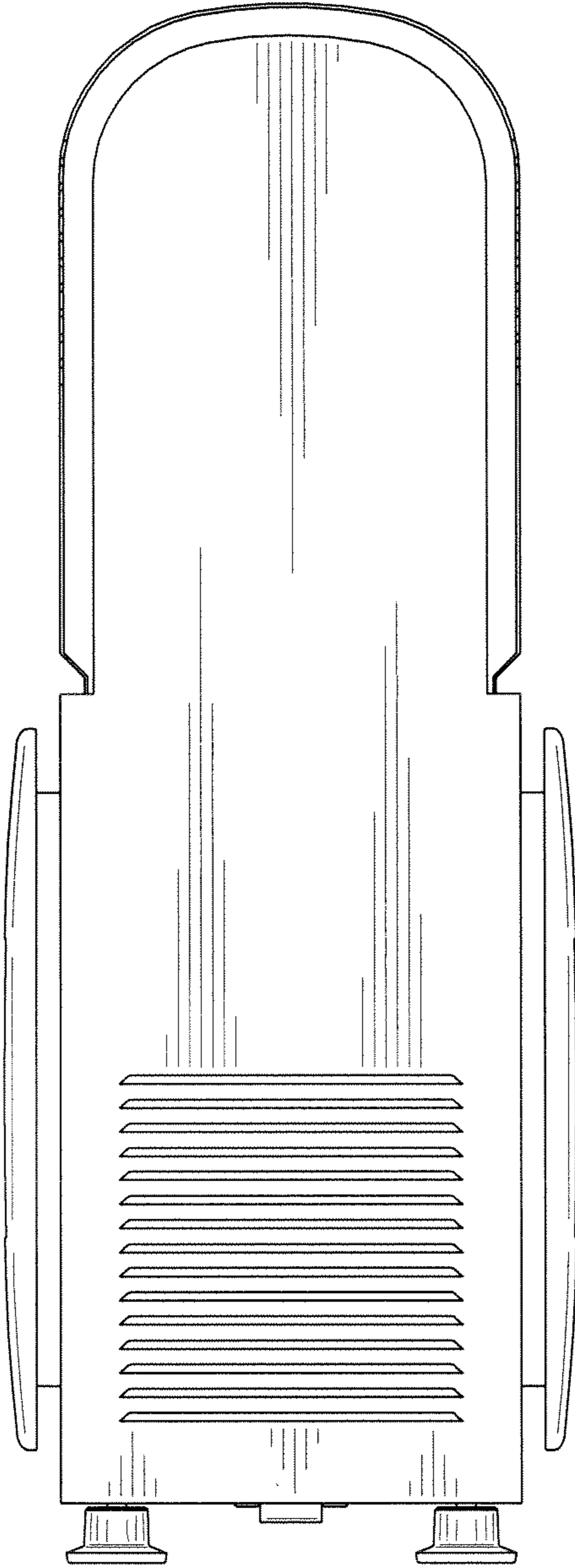


FIG. 4

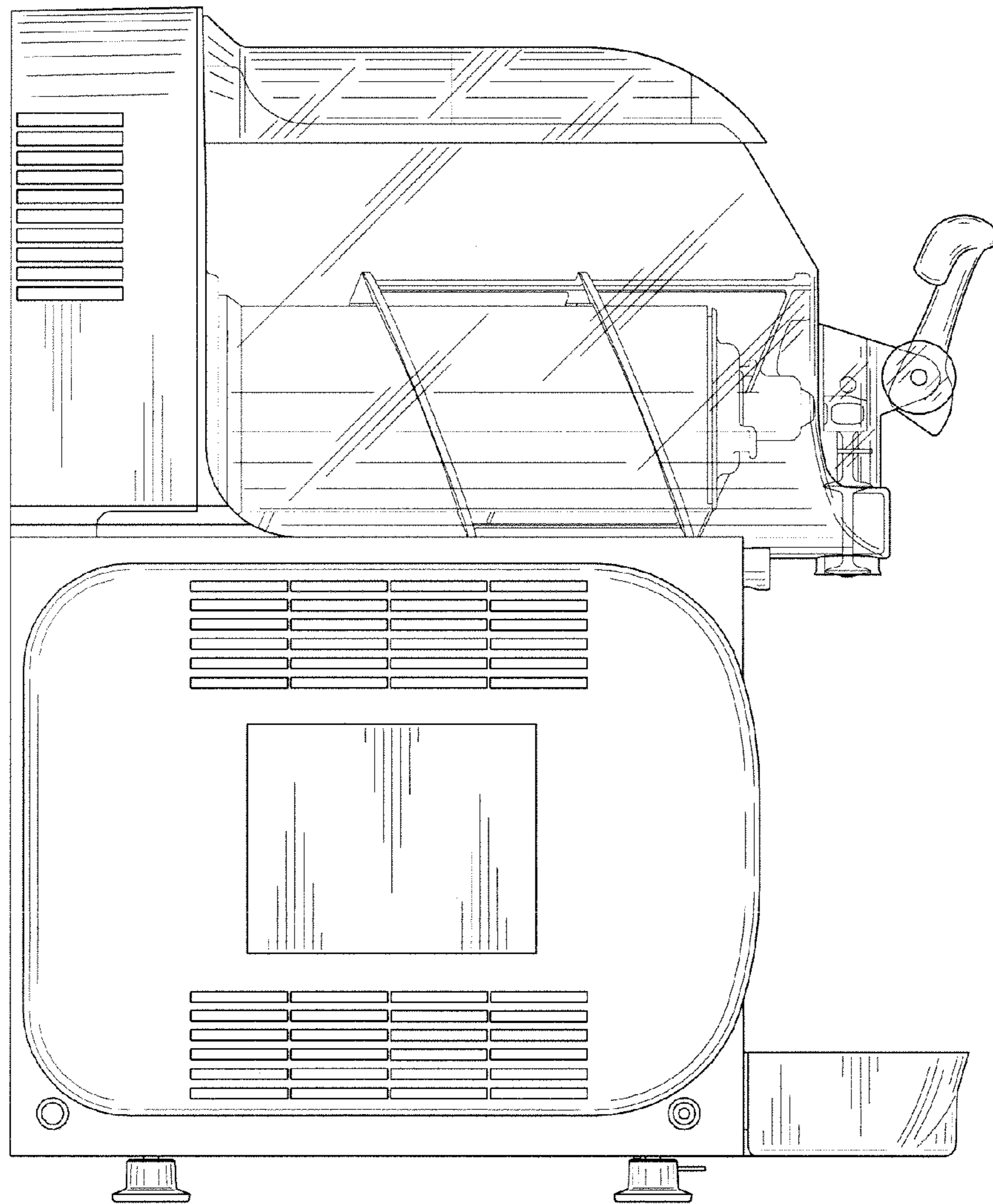


FIG. 5

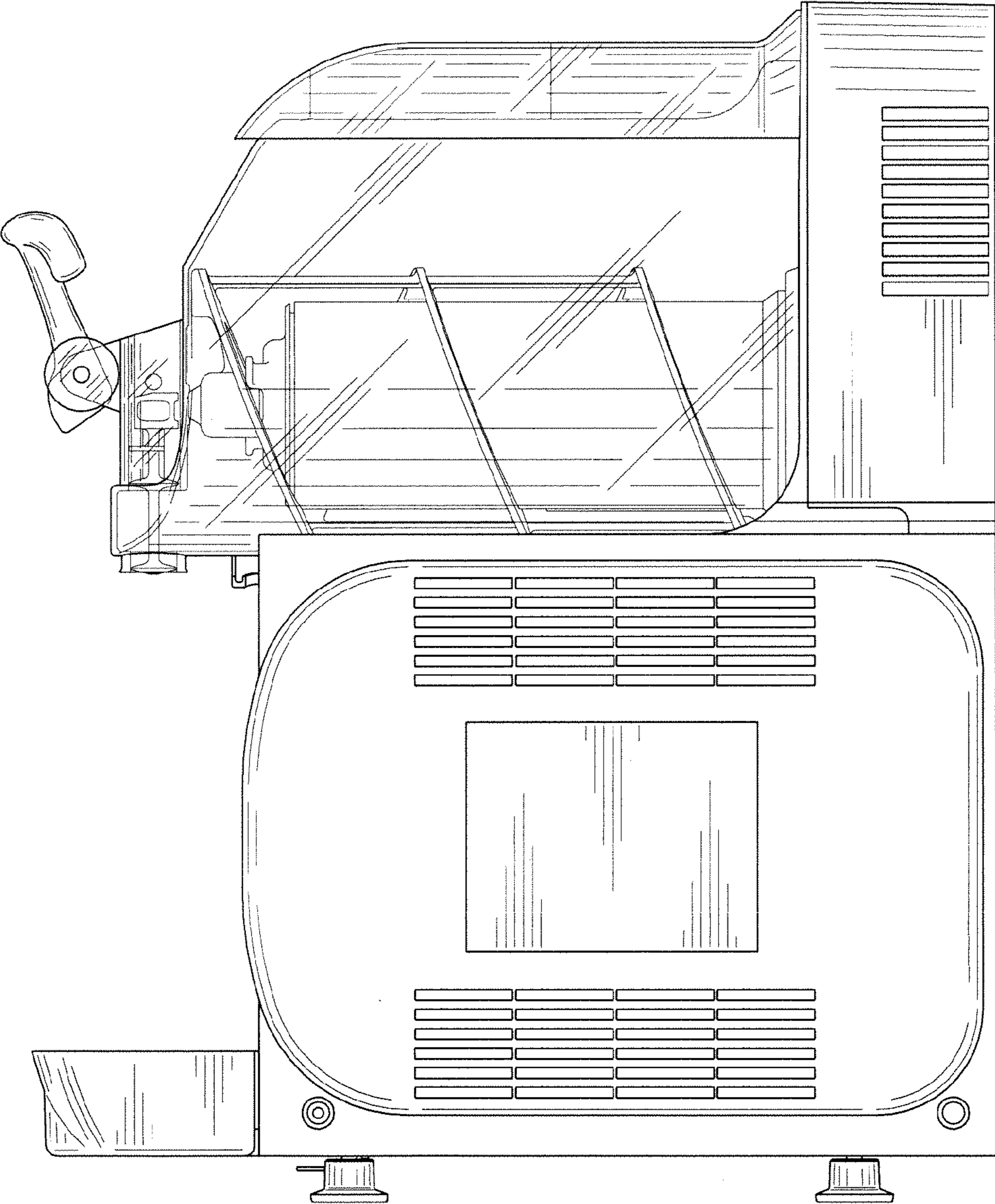


FIG. 6

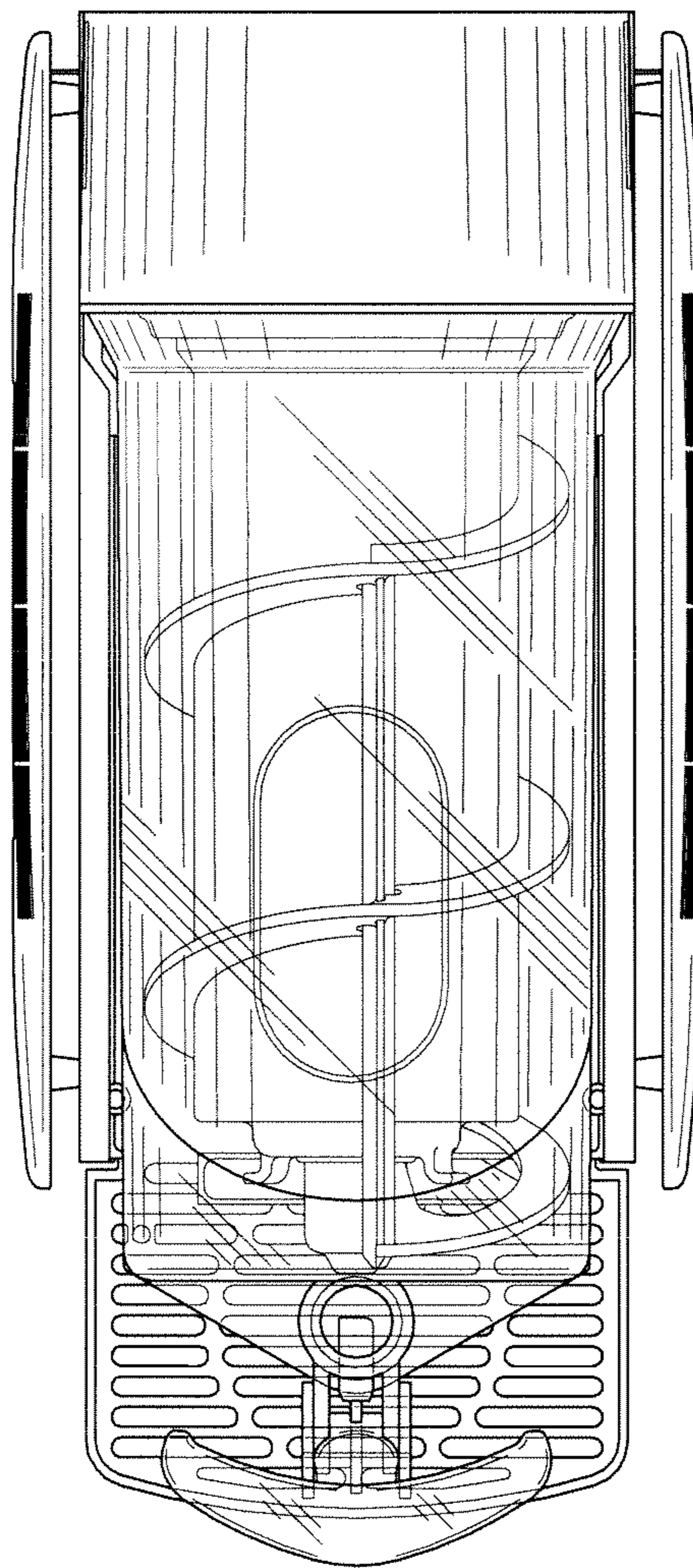


FIG. 7

