



US00D689100S

(12) **United States Design Patent**
Wirz Luchsinger

(10) **Patent No.:** **US D689,100 S**

(45) **Date of Patent:** **** Sep. 3, 2013**

(54) **PUMP FITTING**

(75) Inventor: **Pedro Wirz Luchsinger**, Jalisco (MX)

(73) Assignee: **Swissmex-Rapid, S.A. de C.V.**, Lagos de Moreno, Jalisco (MX)

(**) Term: **14 Years**

(21) Appl. No.: **29/430,212**

(22) Filed: **Aug. 22, 2012**

(51) **LOC (9) Cl.** **15-02**

(52) **U.S. Cl.**
USPC **D15/7**

(58) **Field of Classification Search**
USPC D15/7-9; D23/231, 232, 225; 417/60, 417/235, 265, 321, 355, 358, 363, 359, 410.1, 417/415-416, 405, 900, 43, 554; 60/408, 60/412; 184/26-37; 415/140-147; 123/495, 123/509

See application file for complete search history.

(56) **References Cited**

U.S. PATENT DOCUMENTS

D242,650 S	*	12/1976	McKesson	D15/5
D464,362 S	*	10/2002	Tsai	D15/7
D541,818 S	*	5/2007	Rhea et al	D15/7
D623,664 S	*	9/2010	Fulkerson et al.	D15/7
D649,164 S	*	11/2011	Cook	D15/7
D652,059 S	*	1/2012	Sato et al.	D15/9

* cited by examiner

Primary Examiner — Ralf Seifert

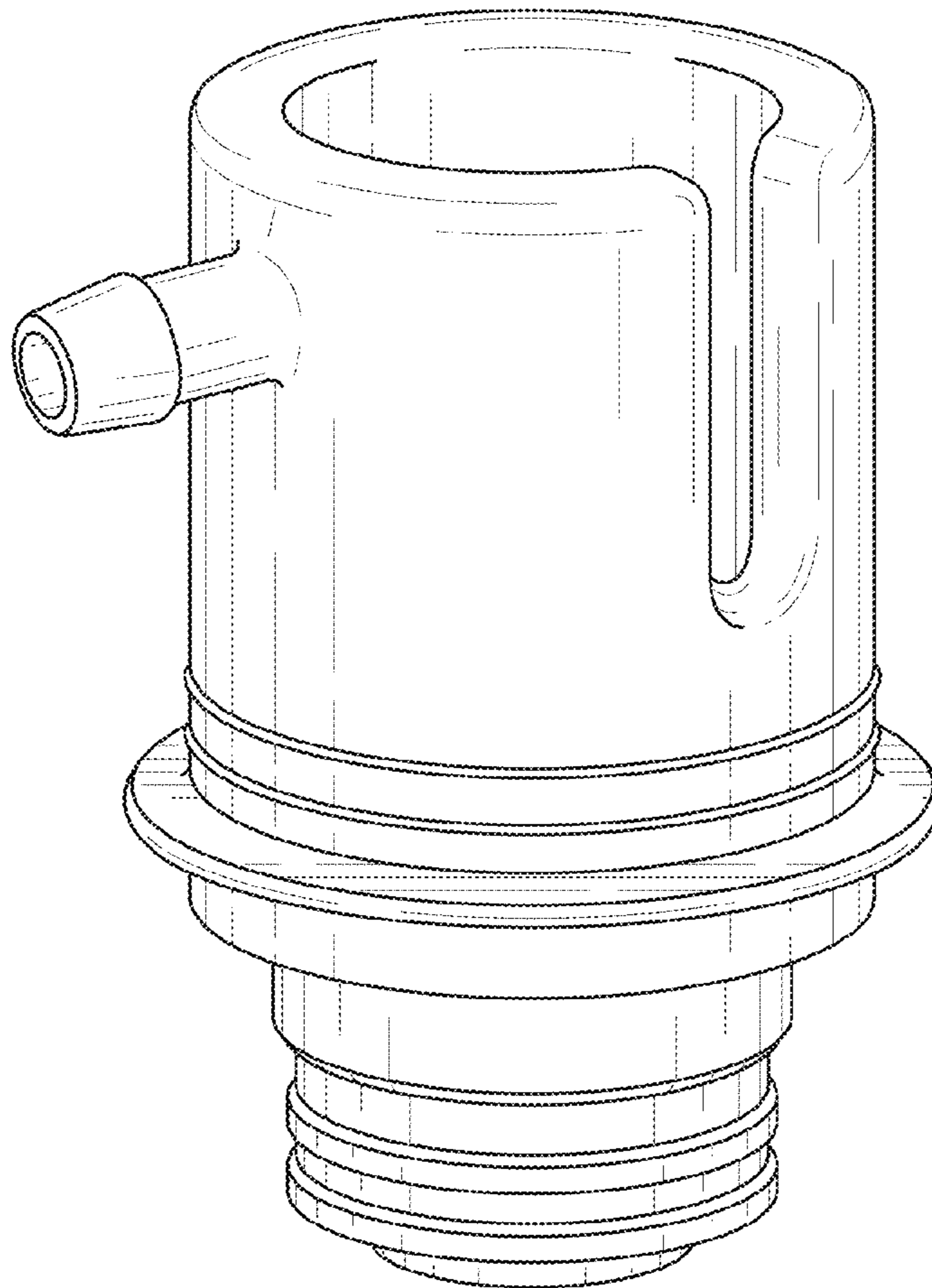
(74) *Attorney, Agent, or Firm* — Robert D. Buyan; Stout, Uxa, Buyan & Mullins, LLP

(57) **CLAIM**
The ornamental design for a pump fitting, as shown.

DESCRIPTION

FIG. 1 is a left perspective view of an embodiment of a pump fitting;
FIG. 2 is a right side view of the embodiment of FIG. 1;
FIG. 3 is a left side view of the embodiment of FIG. 1;
FIG. 4 is a front view of the embodiment of FIG. 1;
FIG. 5 is a rear view of the embodiment of FIG. 1;
FIG. 6 is a top view of the embodiment of FIG. 1; and,
FIG. 7 is a bottom view of the embodiment of FIG. 1.

1 Claim, 4 Drawing Sheets



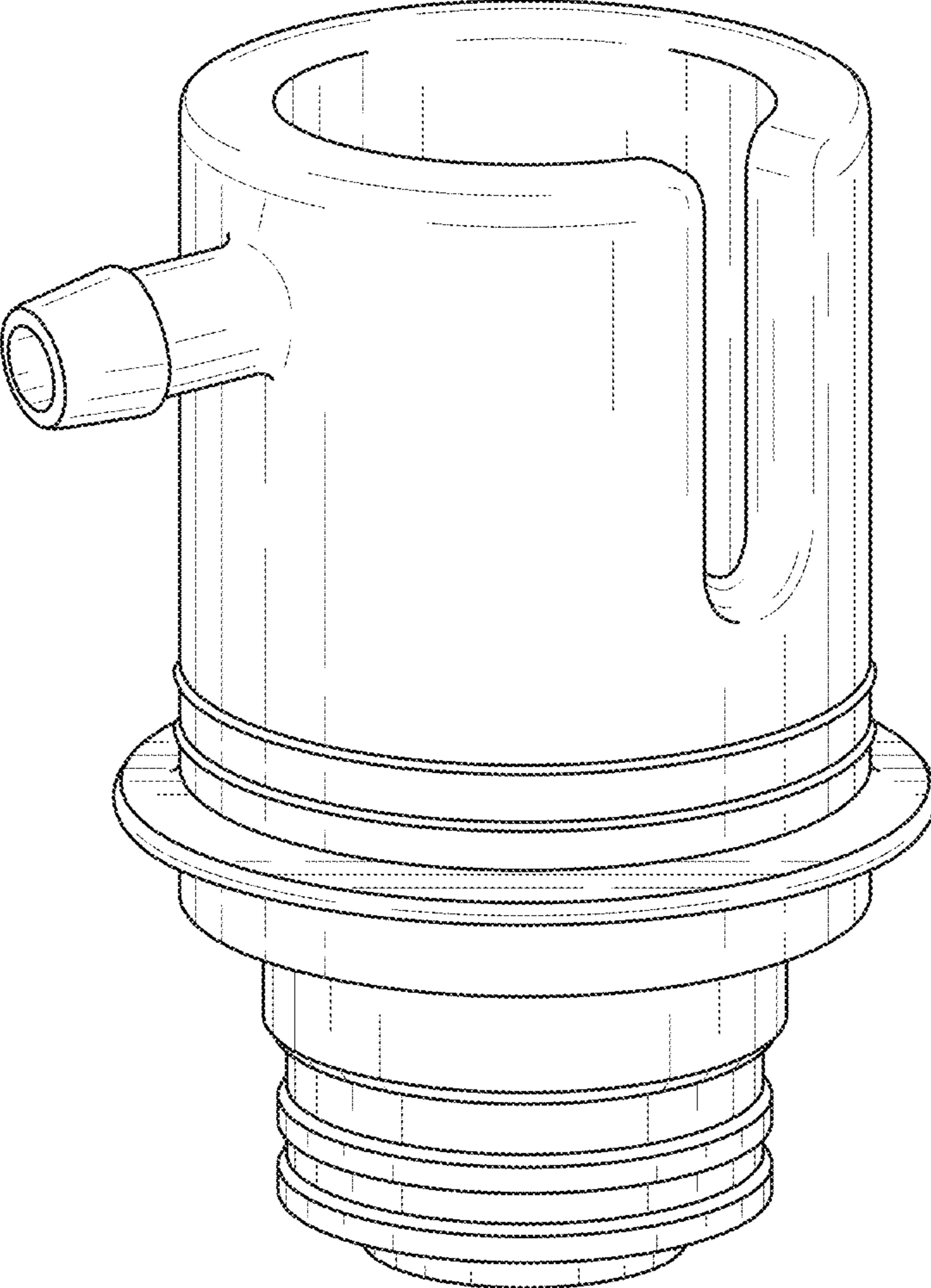


FIG. 1

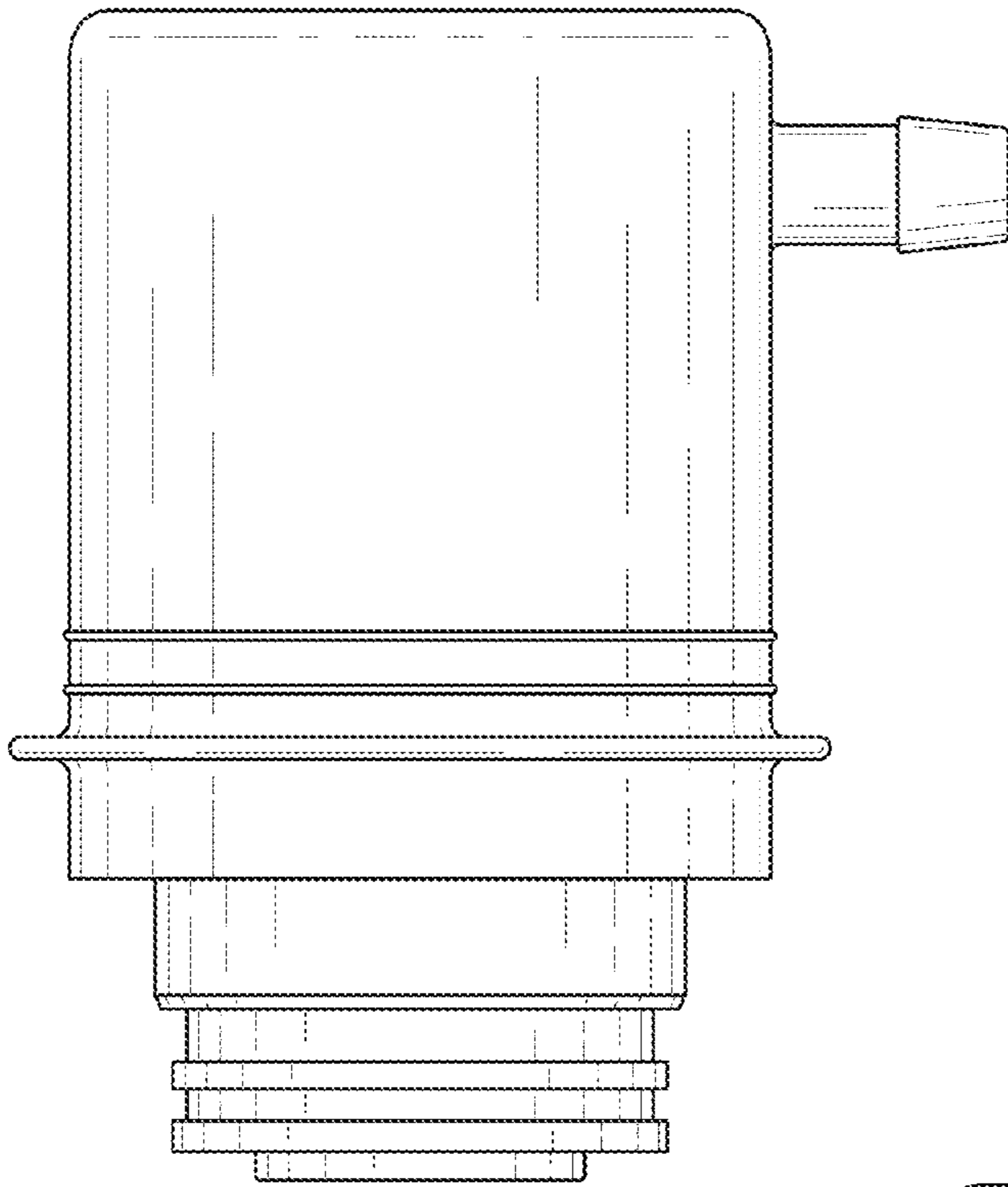


FIG. 2

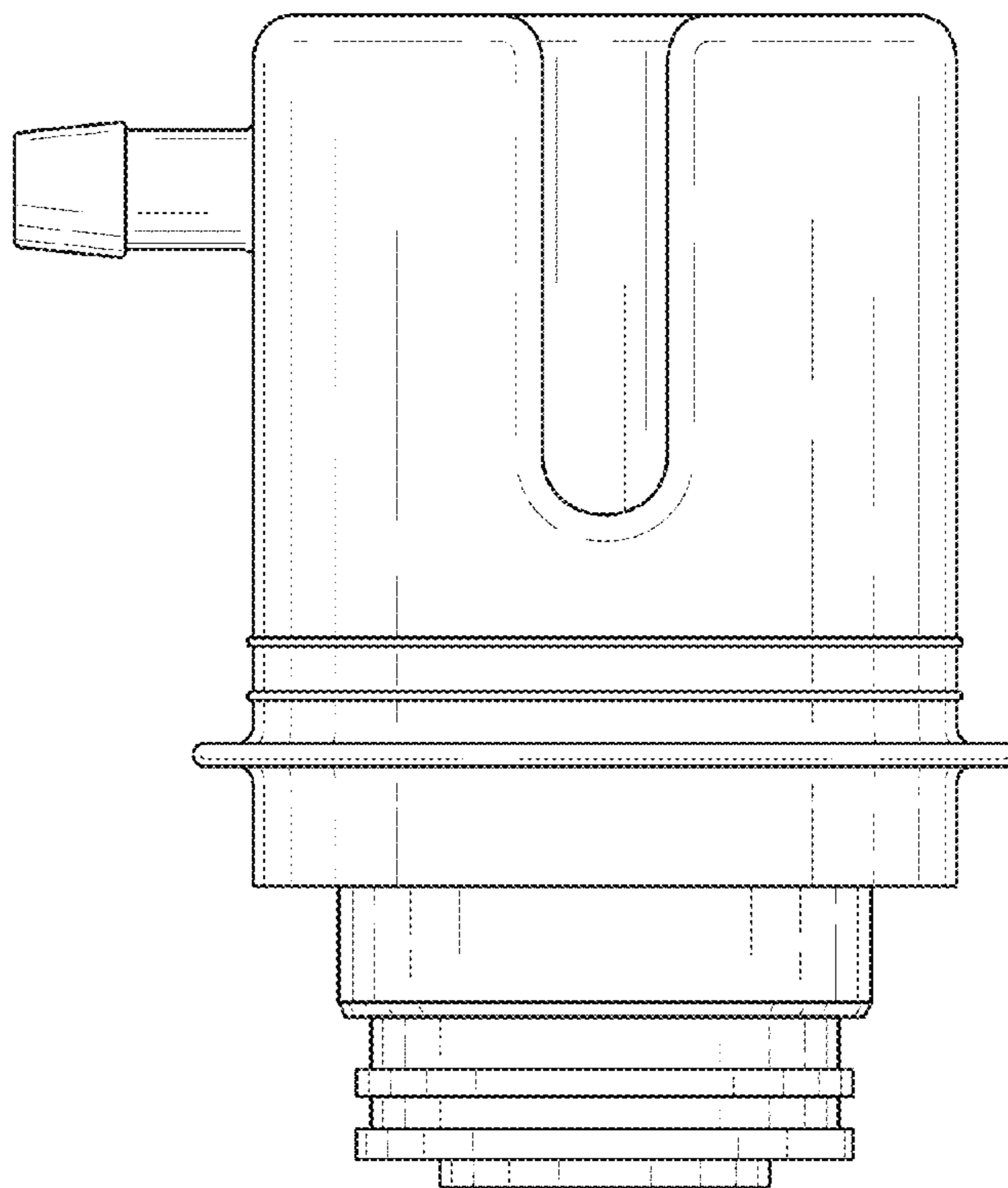


FIG. 3

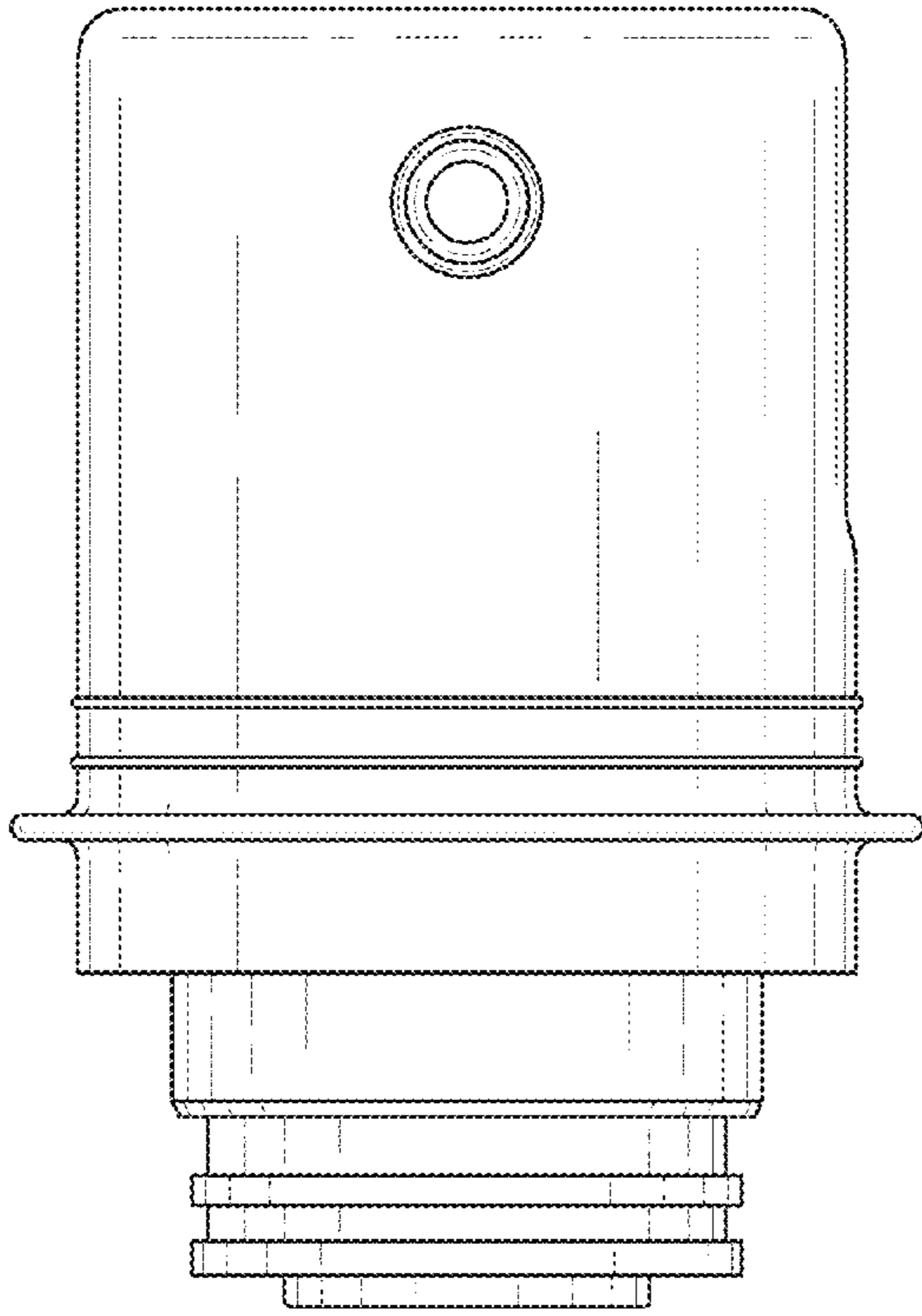


FIG. 4

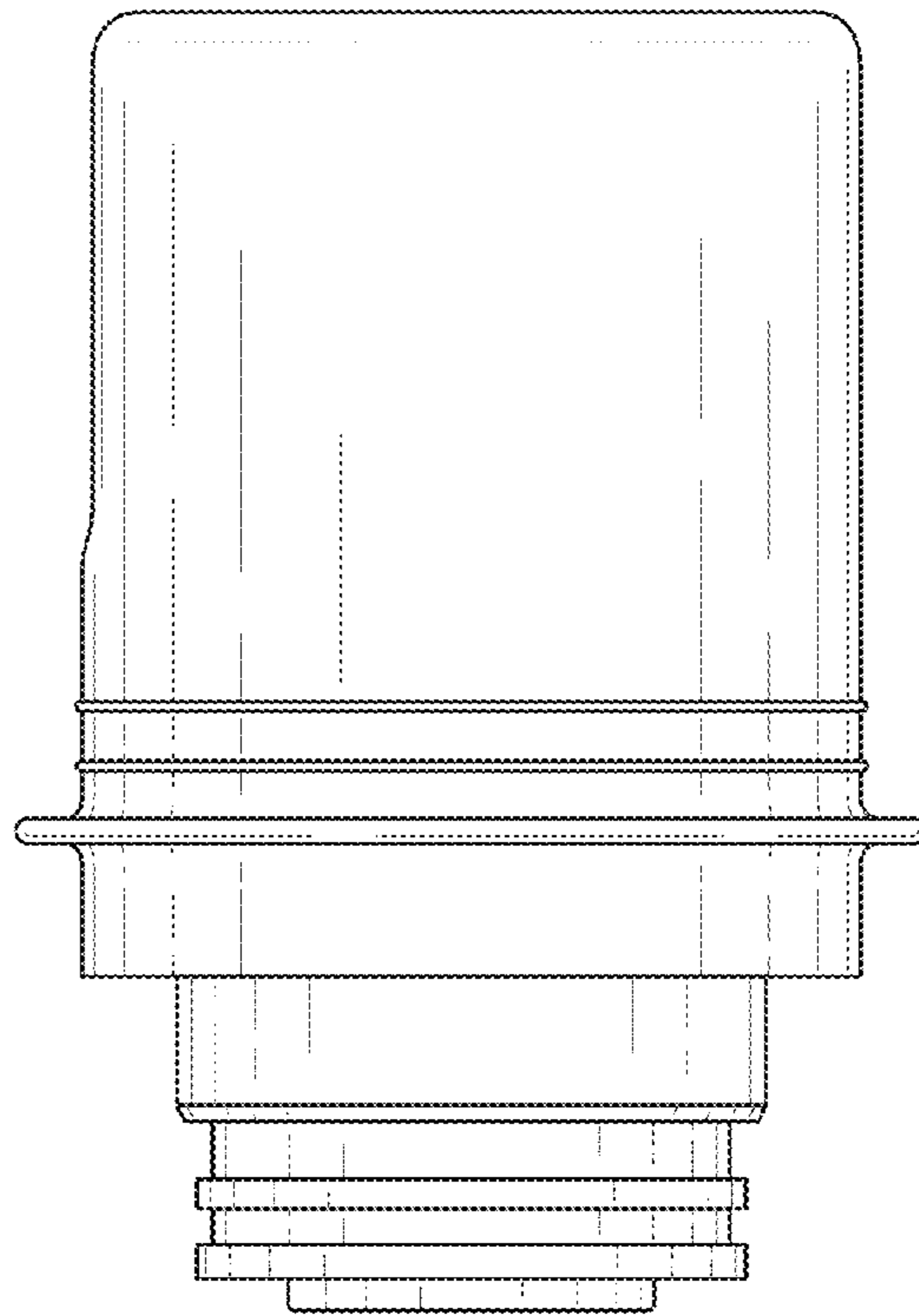


FIG. 5

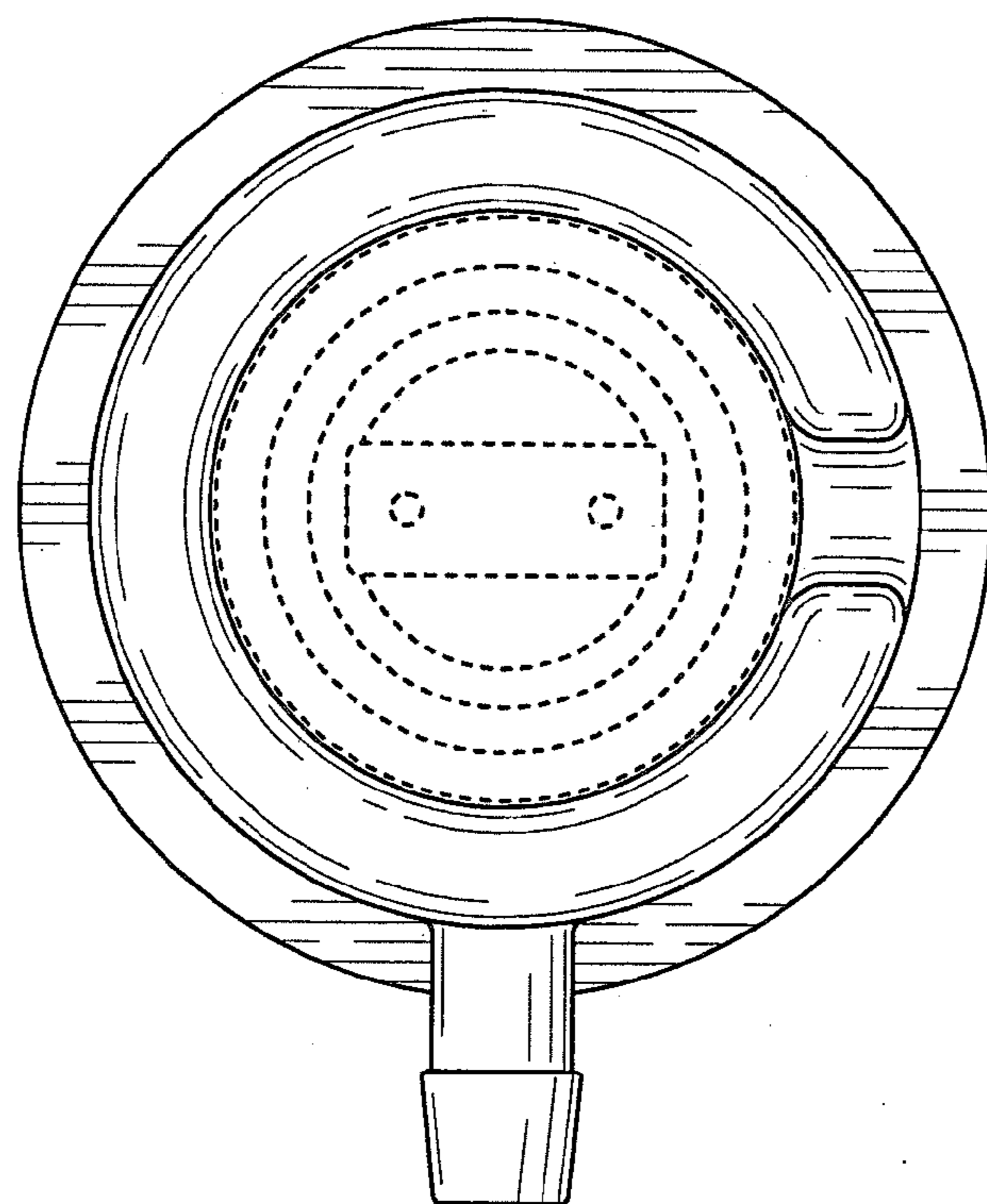


FIG. 6

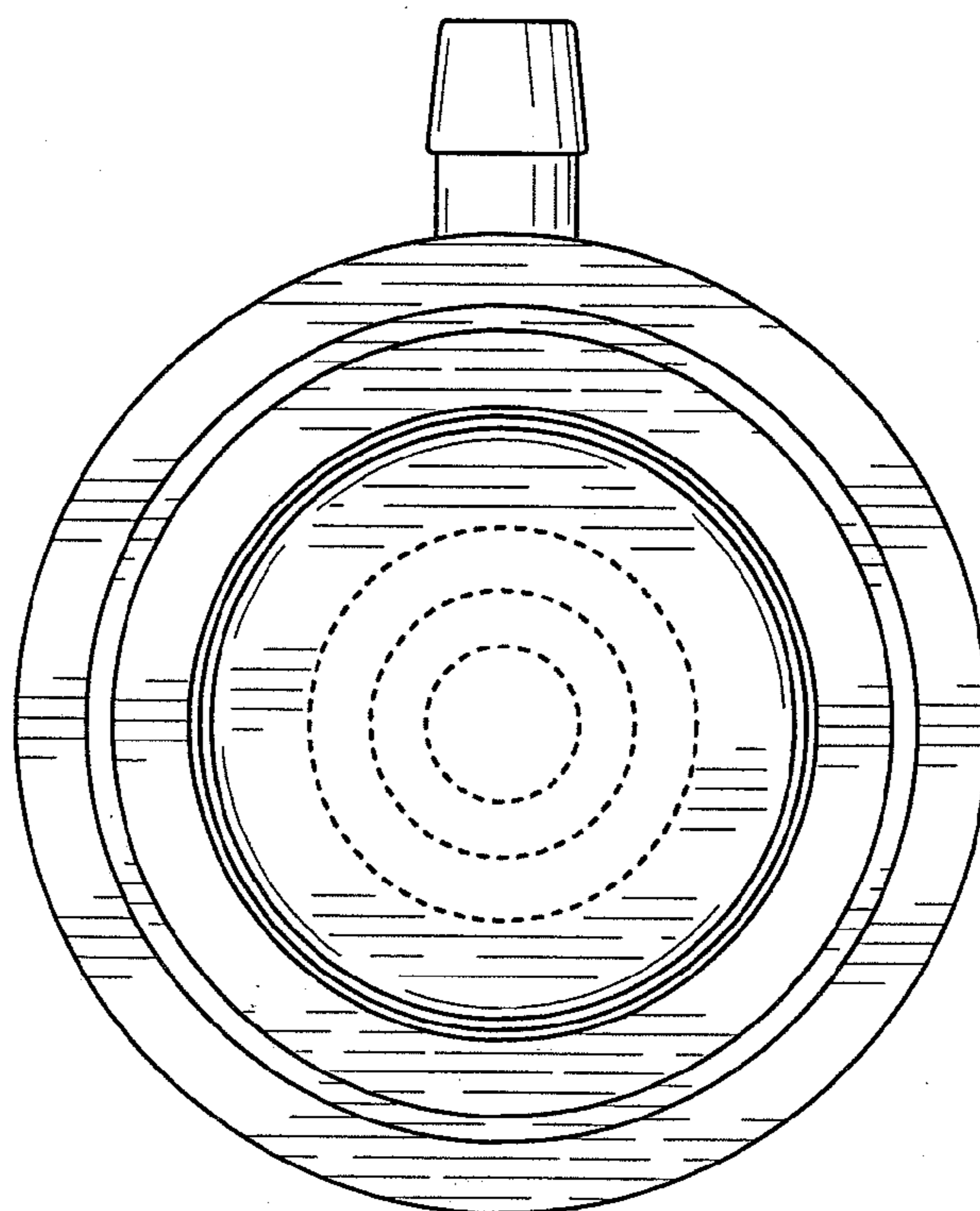


FIG. 7