



US00D689088S

(12) **United States Design Patent**
Yang et al.

(10) **Patent No.:** **US D689,088 S**

(45) **Date of Patent:** **** Sep. 3, 2013**

(54) **WASHING MACHINE HAVING IMAGE
DESIGN DISPLAYED THEREON**

(75) Inventors: **Sooyoung Yang**, Seoul (KR); **Hoil Jeon**, Gyeonggi-do (KR); **Junghwan Lee**, Seoul (KR); **Wookjin Park**, Seoul (KR); **Yeji Um**, Seoul (KR); **Jungmin Park**, Seoul (KR); **Nerry Son**, Seoul (KR); **Yunmi Park**, Seoul (KR)

(73) Assignee: **LG Electronics Inc.**, Seoul (KR)

(**) Term: **14 Years**

(21) Appl. No.: **29/397,755**

(22) Filed: **Jul. 20, 2011**

(30) **Foreign Application Priority Data**

Jan. 25, 2011 (KR) 30-2011-0003187

(51) **LOC (9) Cl.** **14-04**

(52) **U.S. Cl.**
USPC **D14/489**

(58) **Field of Classification Search**
USPC D14/485, 486, 487, 488, 489, 490,
D14/491, 492, 493, 494, 495; 709/217, 218,
709/219, 220, 223, 224; 715/205, 833, 834,
715/835, 863, 865, 810; 68/139, 20
See application file for complete search history.

(56) **References Cited**

U.S. PATENT DOCUMENTS

4,763,493	A *	8/1988	Nishite et al.	68/12.27
5,353,612	A *	10/1994	Noguchi et al.	68/12.02
D387,332	S *	12/1997	Harrison	D13/162
D395,426	S *	6/1998	Chiba	D14/486
D454,356	S *	3/2002	Hoxie et al.	D14/488
7,059,003	B2 *	6/2006	Bergemann et al.	8/158
D549,664	S *	8/2007	McDougal et al.	D13/162
D571,819	S *	6/2008	Scott et al.	D14/487
D577,745	S *	9/2008	Bruzelius	D15/89

D587,278	S *	2/2009	Sans	D14/492
D593,111	S *	5/2009	Danton	D14/485
D599,362	S *	9/2009	Danton	D14/485
D613,757	S *	4/2010	Barcheck et al.	D14/495
7,721,462	B2 *	5/2010	Park et al.	34/319
D622,100	S *	8/2010	Carlini	D7/405
D625,323	S *	10/2010	Matsushima et al.	D14/487
D633,526	S *	3/2011	Trabona et al.	D14/495
7,905,120	B2 *	3/2011	Mamiya et al.	68/5 C
D642,194	S *	7/2011	Kozlowski et al.	D14/488
D645,703	S *	9/2011	Sadtler	D7/405
8,024,948	B2 *	9/2011	Kitamura et al.	68/18 F
8,108,063	B2 *	1/2012	Agrawal et al.	700/143

(Continued)

Primary Examiner — Kevin Rudzinski

(74) *Attorney, Agent, or Firm* — Morgan, Lewis & Bockius LLP

(57) **CLAIM**

The ornamental design for a washing machine having image design displayed thereon, as shown and described.

DESCRIPTION

The patent or application file contains at least one drawing executed in color. Copies of this patent or patent application publication with color drawing(s) will be provided by the Office upon request and payment of the necessary fee.

FIG. 1 is a top, front, perspective view of a washing machine having image design displayed thereon showing our new design;

FIG. 2 is a front view thereof;

FIG. 3 is a rear view thereof;

FIG. 4 is a left side view thereof;

FIG. 5 is a right side view thereof;

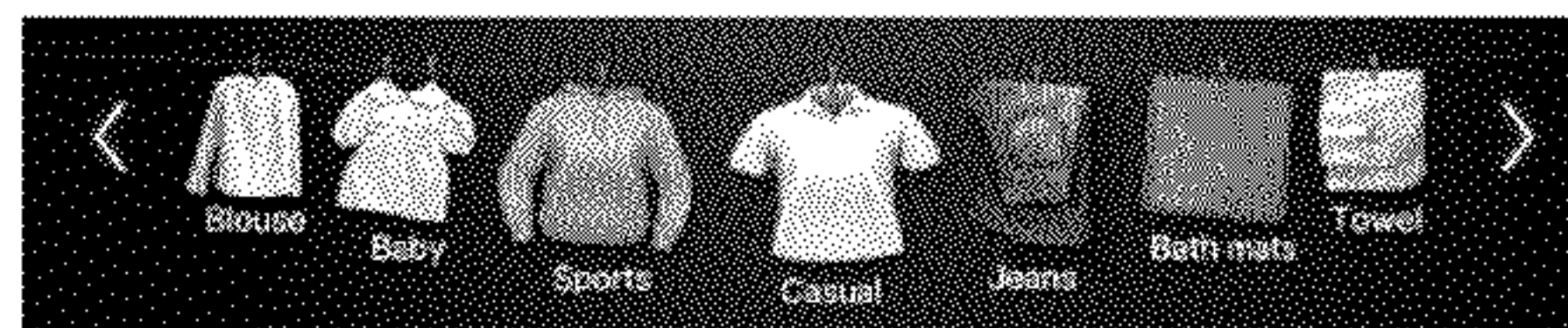
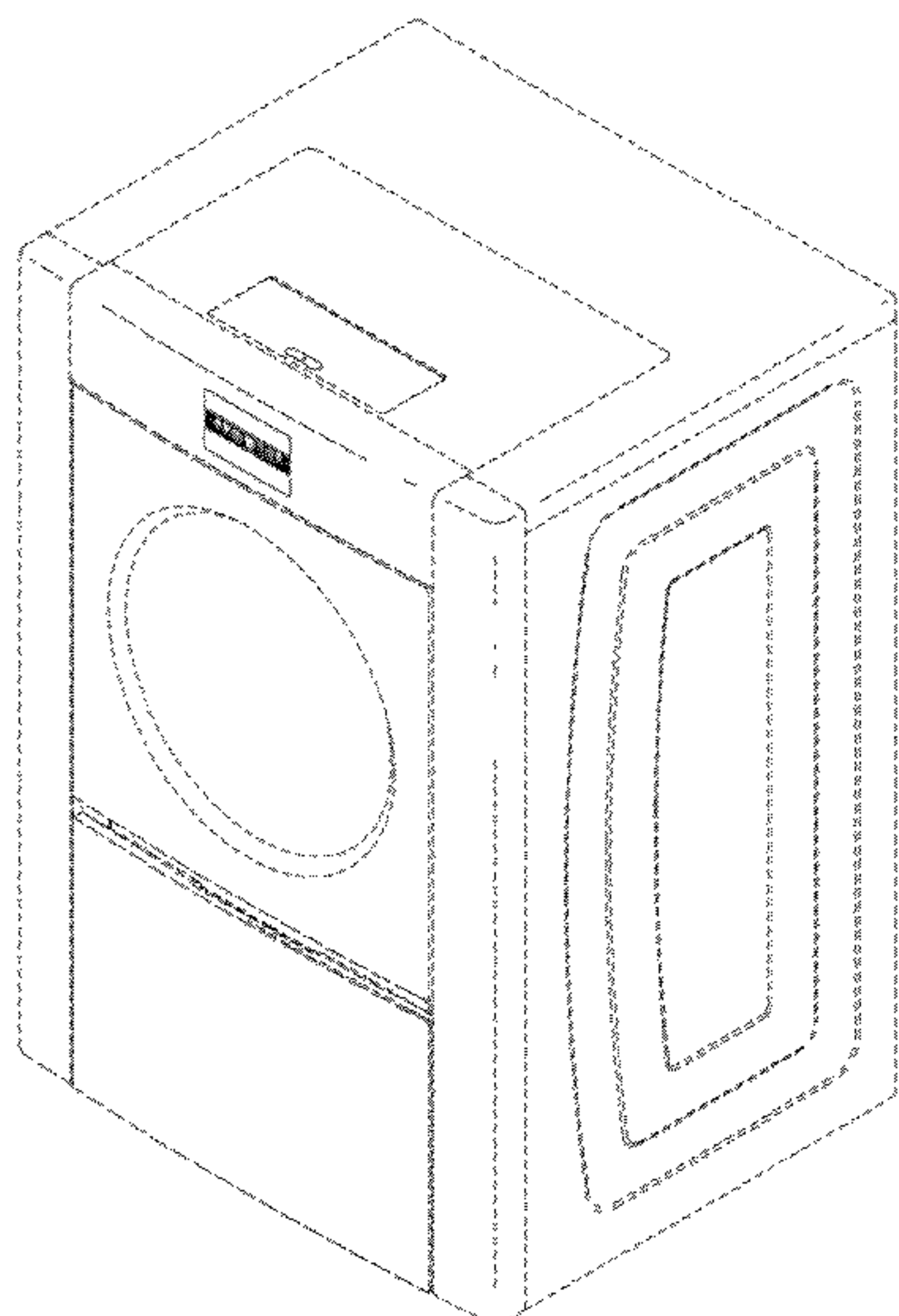
FIG. 6 is a top view thereof;

FIG. 7 is a bottom view thereof; and,

FIGS. 8-10 are reference views thereof.

The broken lines shown in the drawings illustrate portions of the washing machine that form no part of the claimed design.

1 Claim, 10 Drawing Sheets
(5 of 10 Drawing Sheet(s) Filed in Color)



US D689,088 S

Page 2

(56)

References Cited

U.S. PATENT DOCUMENTS				2010/0275657 A1*	11/2010	Park et al.	68/20
8,240,175 B2*	8/2012	Kim et al.	68/3 R	2012/0036900 A1*	2/2012	Hong et al.	68/139
D667,416 S *	9/2012	Maitlen et al.	D14/486	2013/0062176 A1*	3/2013	Schuh	200/5 A
				2013/0093655 A1*	4/2013	Holzgreve et al.	345/82

* cited by examiner

FIG. 1

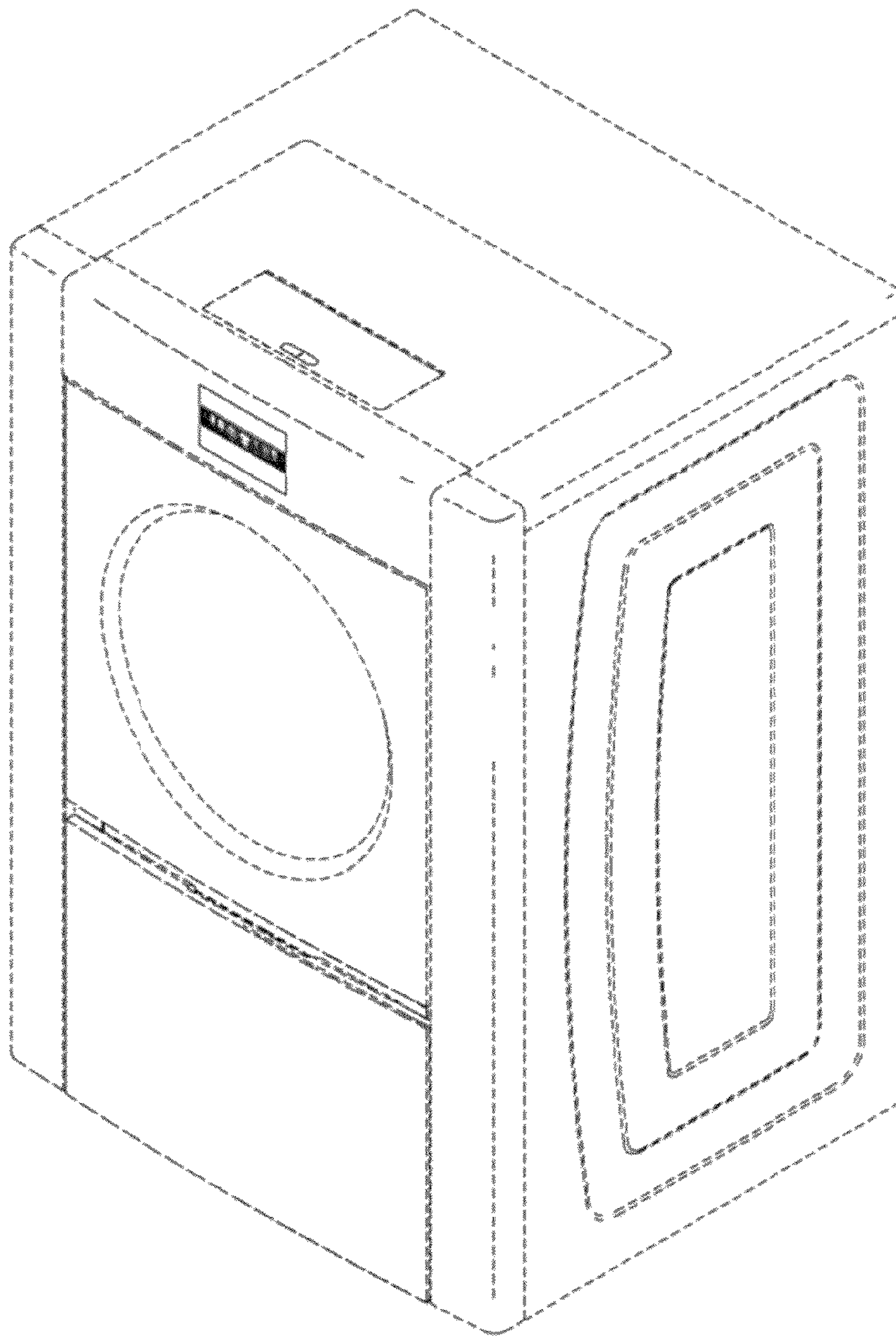


FIG. 2

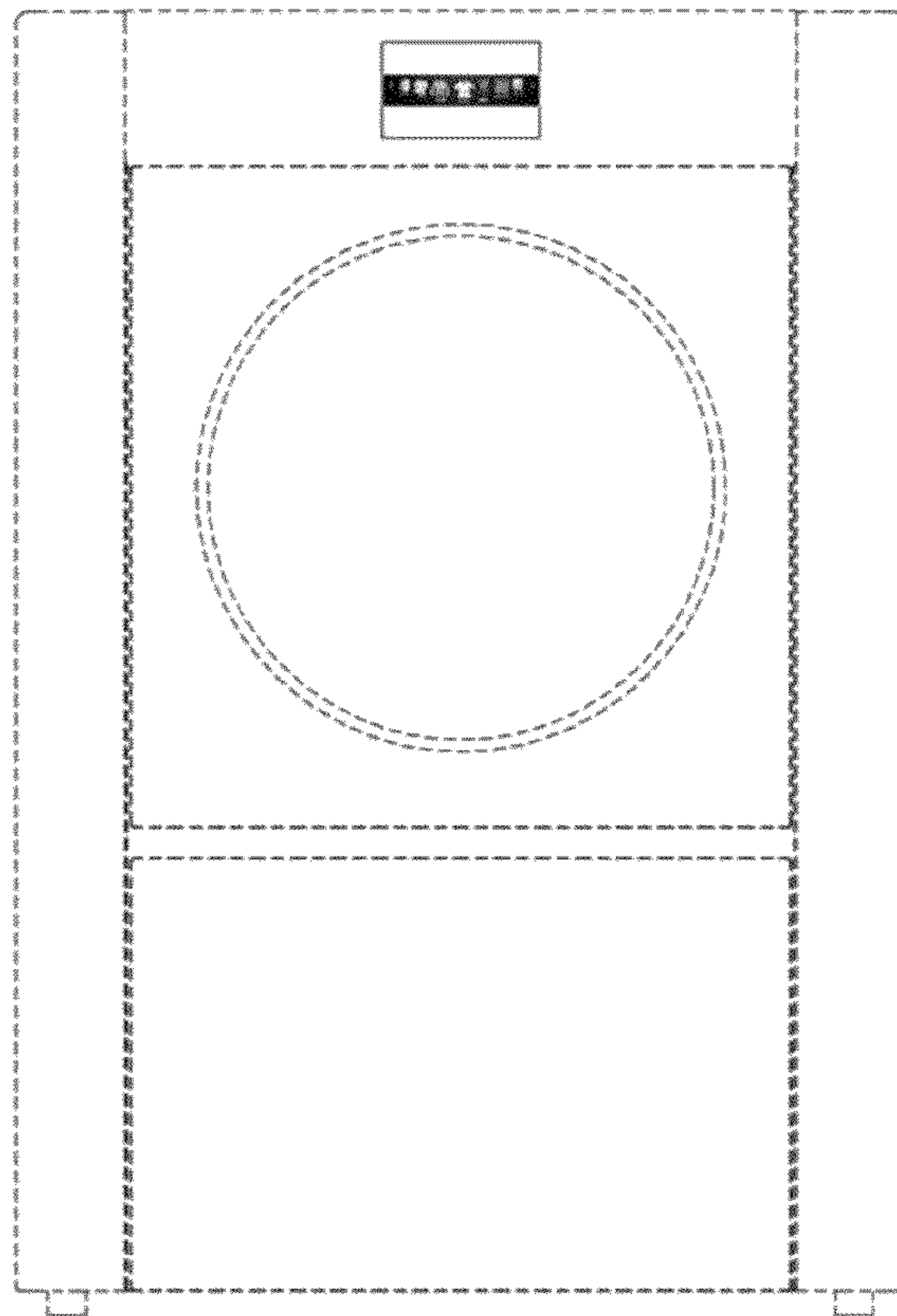


FIG. 3



FIG. 4

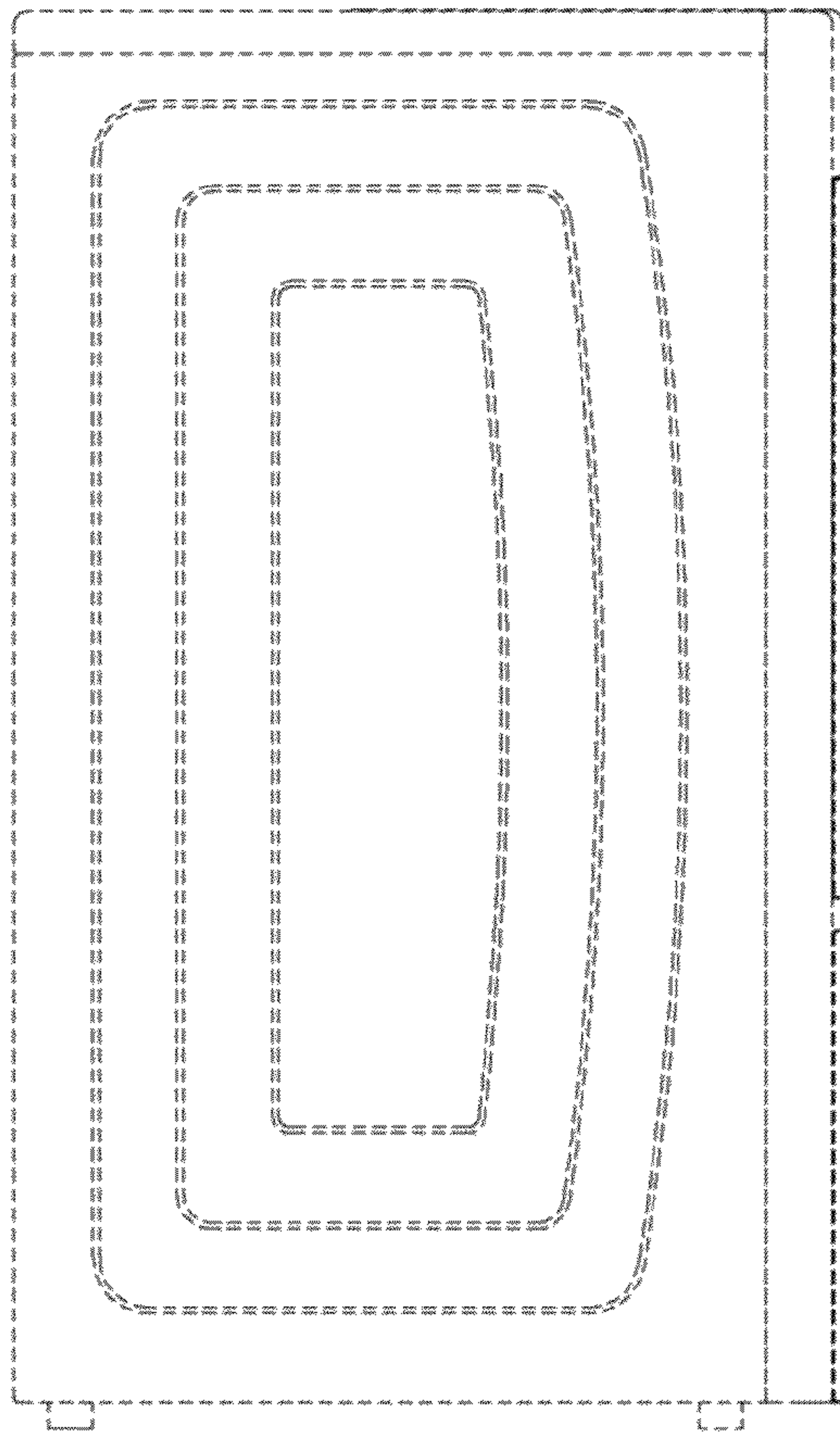


FIG. 5

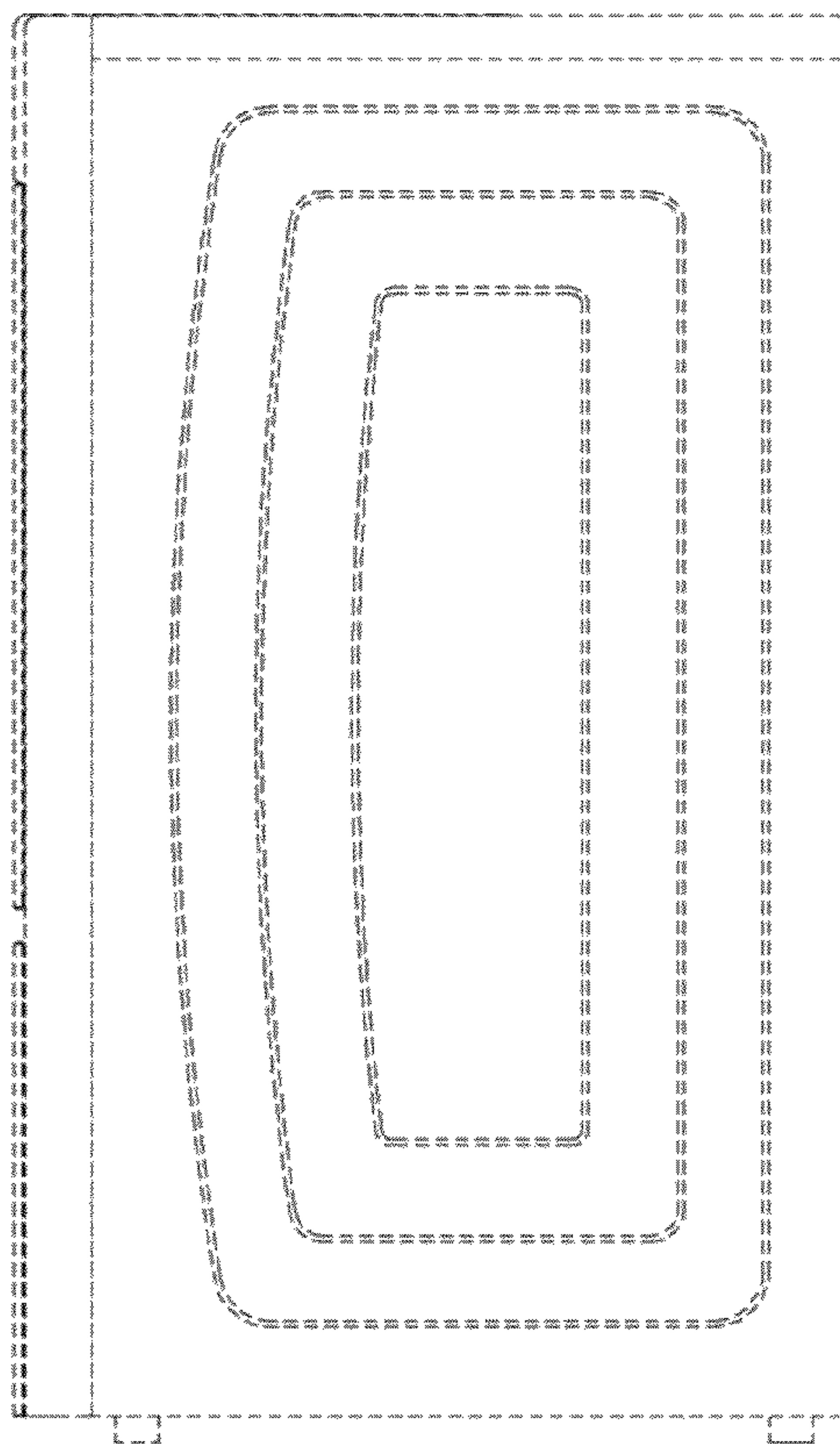


FIG. 6

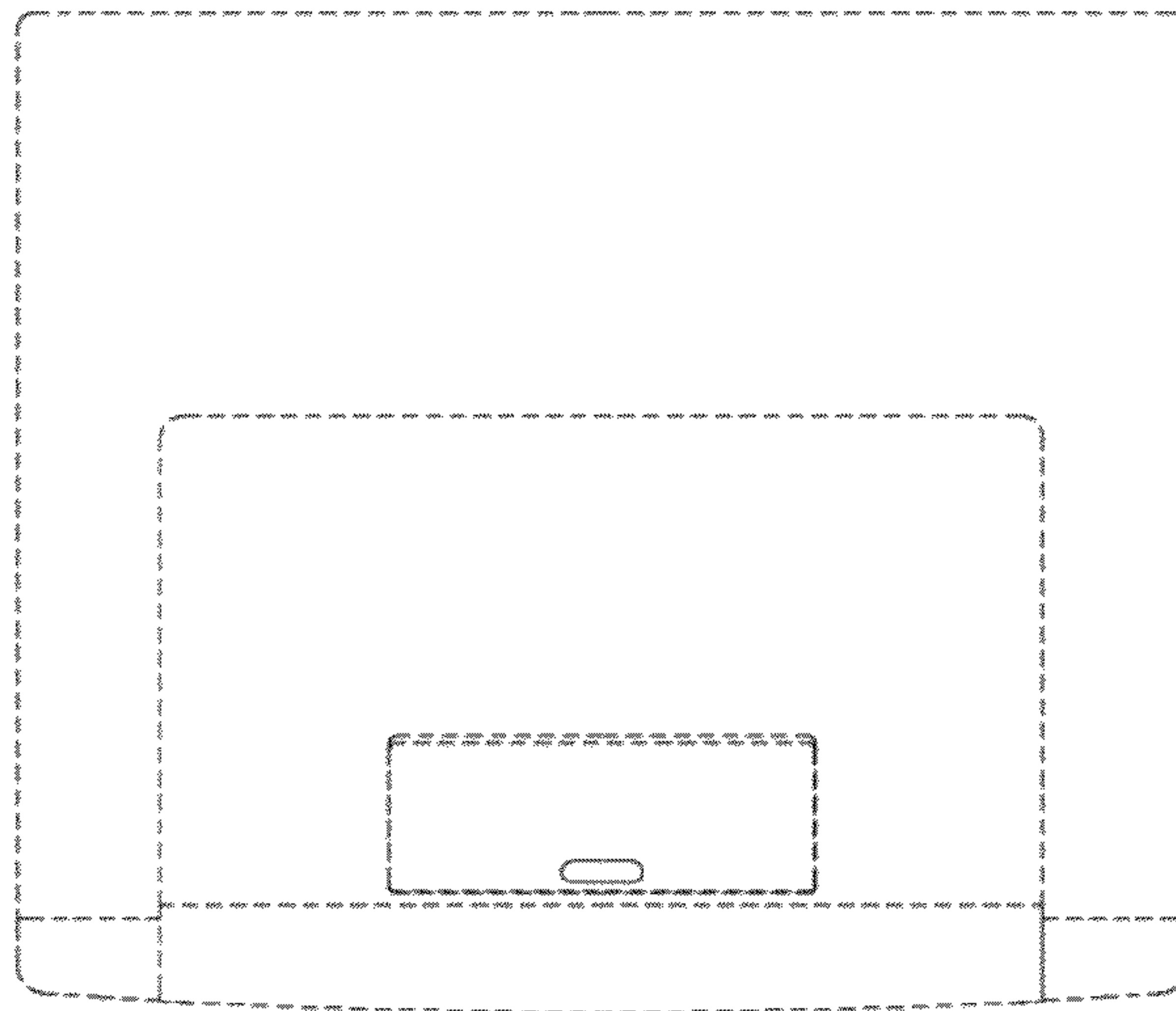


FIG. 7

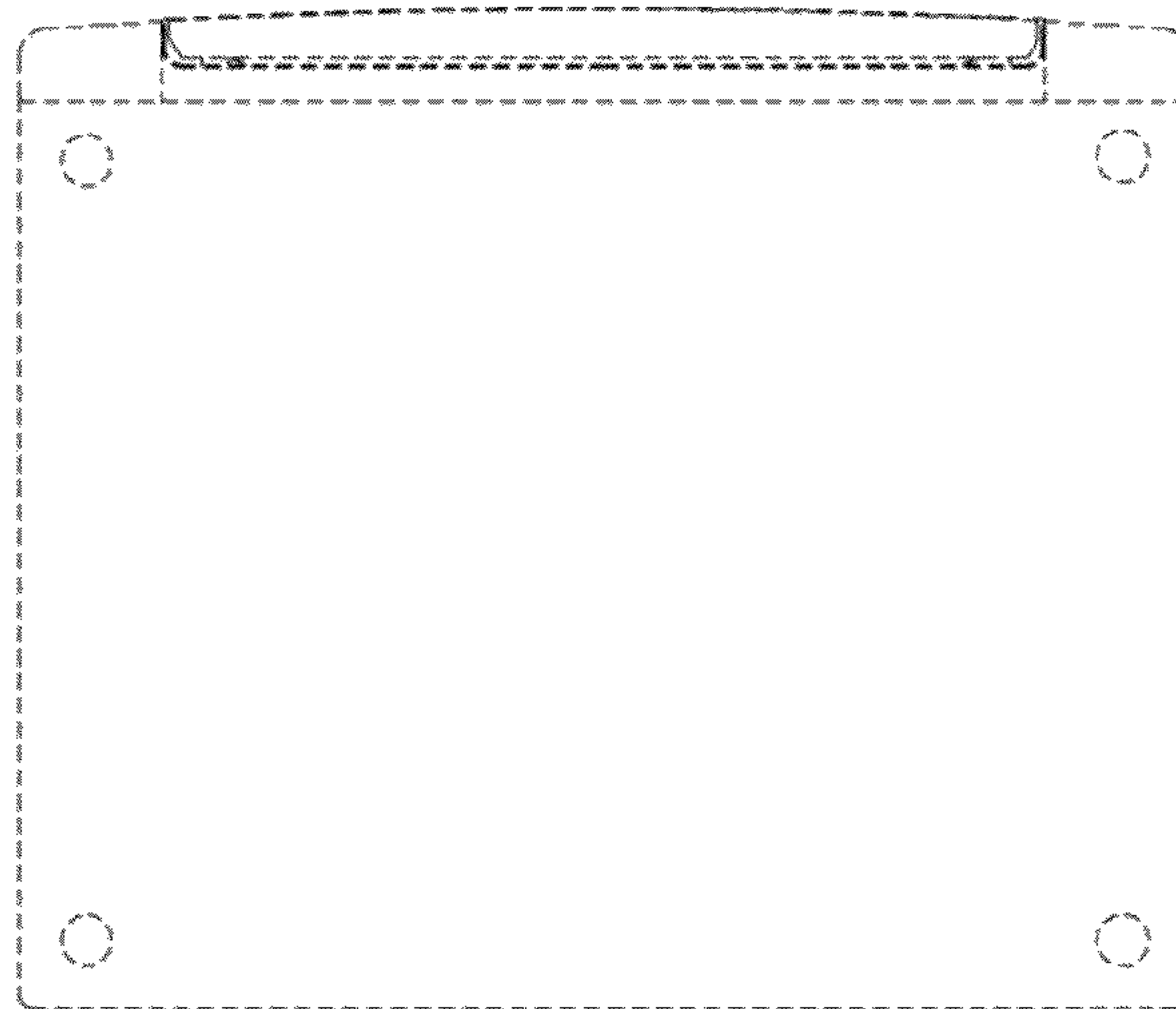


FIG. 8

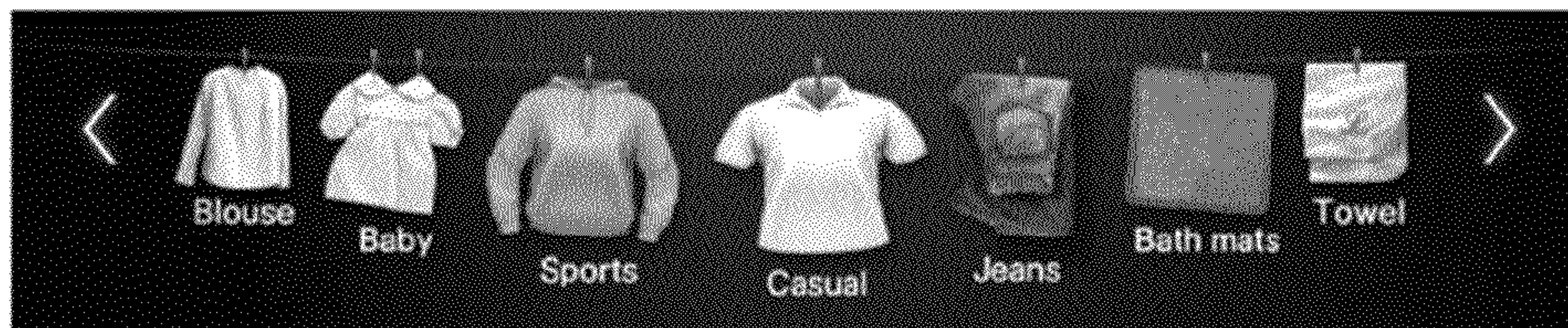


FIG. 9

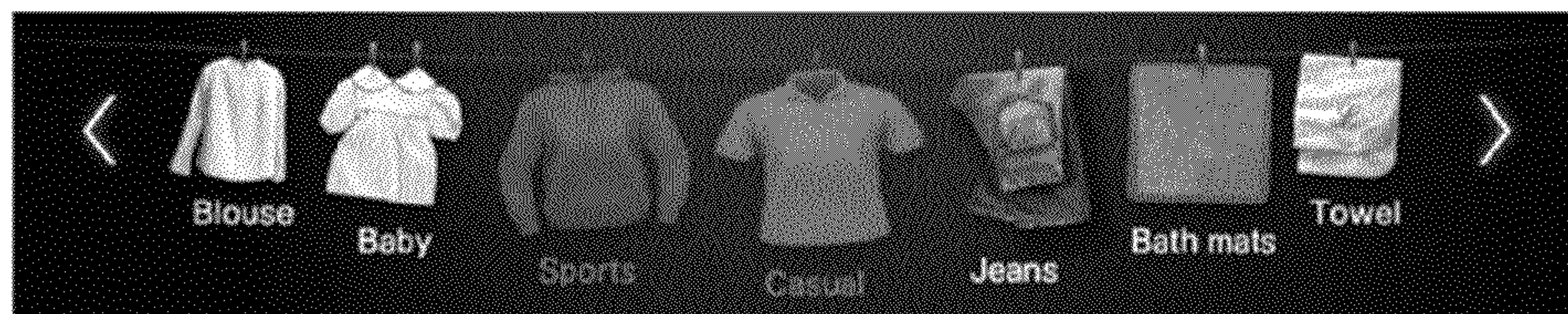


FIG. 10

