



US00D689076S

(12) **United States Design Patent**
Talbot et al.

(10) **Patent No.:** **US D689,076 S**
(45) **Date of Patent:** **** Sep. 3, 2013**

(54) **DISPLAY SCREEN WITH GRAPHICAL USER INTERFACE**

(75) Inventors: **Keri Talbot**, Seattle, WA (US); **Igor B. Peev**, Seattle, WA (US)

(73) Assignee: **Microsoft Corporation**, Redmond, WA (US)

(**) Term: **14 Years**

(21) Appl. No.: **29/424,487**

(22) Filed: **Jun. 13, 2012**

(51) **LOC (9) Cl.** **14-04**

(52) **U.S. Cl.**
USPC **D14/486**

(58) **Field of Classification Search**
USPC D14/485-495; D5/30, 41, 63, 65, D5/66; D19/5-8; D20/11; 345/440-442; 715/211, 215, 706, 719, 733, 763, 770, 773, 715/777, 779, 782, 783, 786, 792, 793, 809, 715/810, 835, 846, 867, 976, 977
See application file for complete search history.

(56) **References Cited**

U.S. PATENT DOCUMENTS

4,538,182	A *	8/1985	Saito et al.	358/538
4,623,984	A *	11/1986	Yokokawa et al.	345/440
4,819,186	A *	4/1989	Ohta et al.	345/440
5,043,920	A *	8/1991	Malm et al.	345/419
5,192,943	A *	3/1993	Matsuo et al.	715/856
5,361,081	A *	11/1994	Barnaby	715/857
5,553,213	A *	9/1996	Sano	345/440
6,123,734	A *	9/2000	Sato	703/15
6,326,986	B1 *	12/2001	Alexander	715/764
6,463,392	B1 *	10/2002	Nygaard et al.	702/89
6,530,065	B1 *	3/2003	McDonald et al.	716/102
6,662,126	B2 *	12/2003	Liu et al.	702/69
6,898,771	B2 *	5/2005	Tojima et al.	716/113

7,000,181	B2 *	2/2006	Press	715/212
7,010,442	B2 *	3/2006	Fender	702/68
7,015,899	B2 *	3/2006	Kim	345/169
7,117,441	B2 *	10/2006	Allport	715/721
7,224,363	B2 *	5/2007	Kamiyama	345/440
7,456,833	B1 *	11/2008	Diard	345/440
7,580,037	B1 *	8/2009	Iotov	345/440
D633,511	S *	3/2011	Cameron et al.	D14/486
D647,534	S *	10/2011	Doll	D14/486
D670,726	S *	11/2012	Bitran et al.	D14/487
2004/0267470	A1 *	12/2004	Fender et al.	702/67
2005/0235229	A1 *	10/2005	Ikemoto	715/867
2008/0259082	A1 *	10/2008	Engholm et al.	345/440

OTHER PUBLICATIONS

Screenshot of Microsoft Excel. Date released unknown, but prior to the filing of the present application.

* cited by examiner

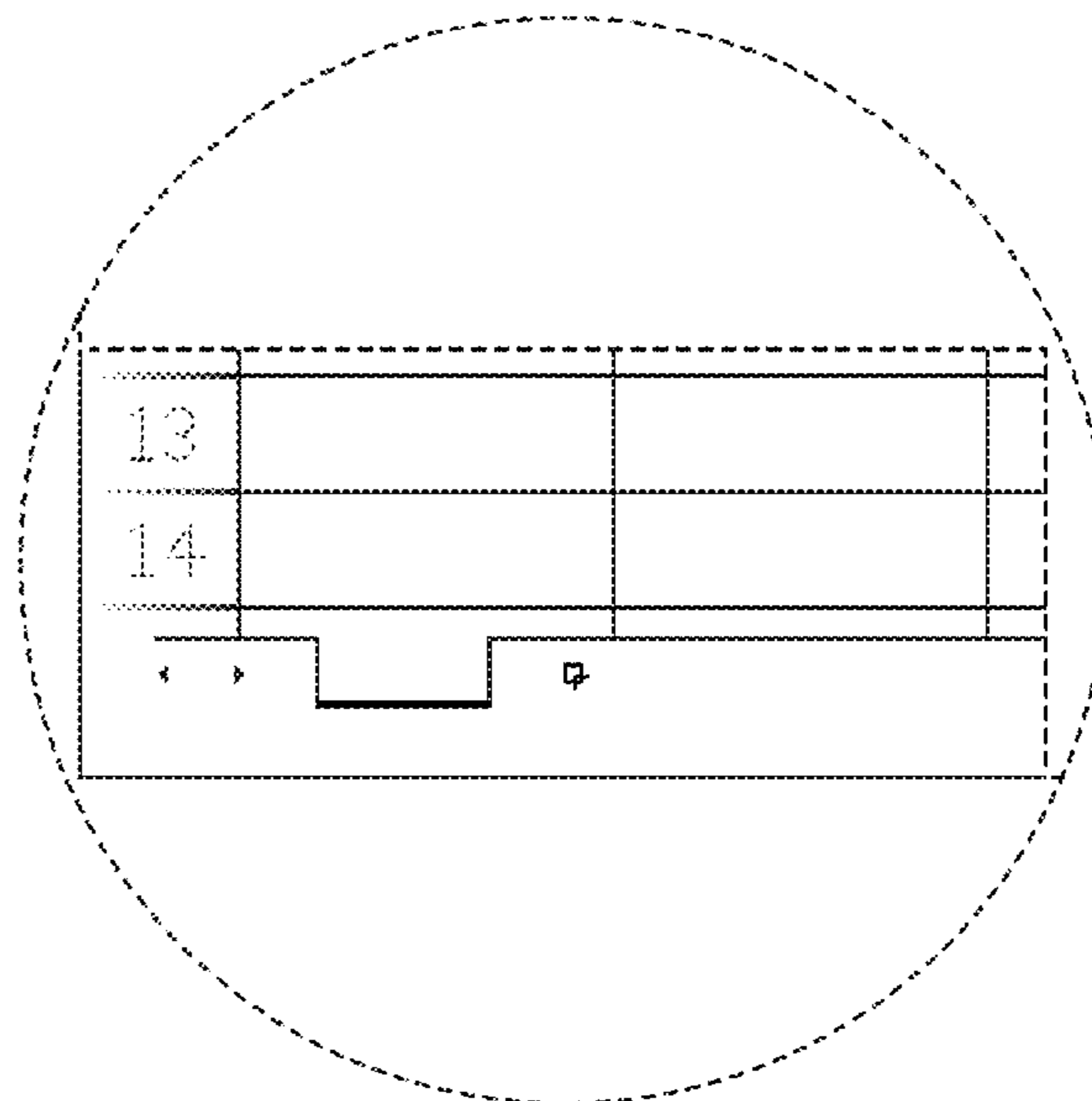
Primary Examiner — Karen S Acker
(74) *Attorney, Agent, or Firm* — Banner & Witcoff, Ltd.

(57) **CLAIM**
The ornamental design for a display screen with graphical user interface, as shown and described.

DESCRIPTION

FIG. 1 is a front view of a display screen with graphical user interface showing our new design; FIG. 2 is a front view of a display screen with graphical user interface of FIG. 1 with a region for enlargement; and, FIG. 3 is an enlarged view of the region on FIG. 2 which is circumscribed by broken line and identified as FIG. 3. The broken line showing of the alphanumeric characters, the remainder of the graphical user interface, and display screen is for environmental purposes only and forms no part of the claimed design.

1 Claim, 3 Drawing Sheets



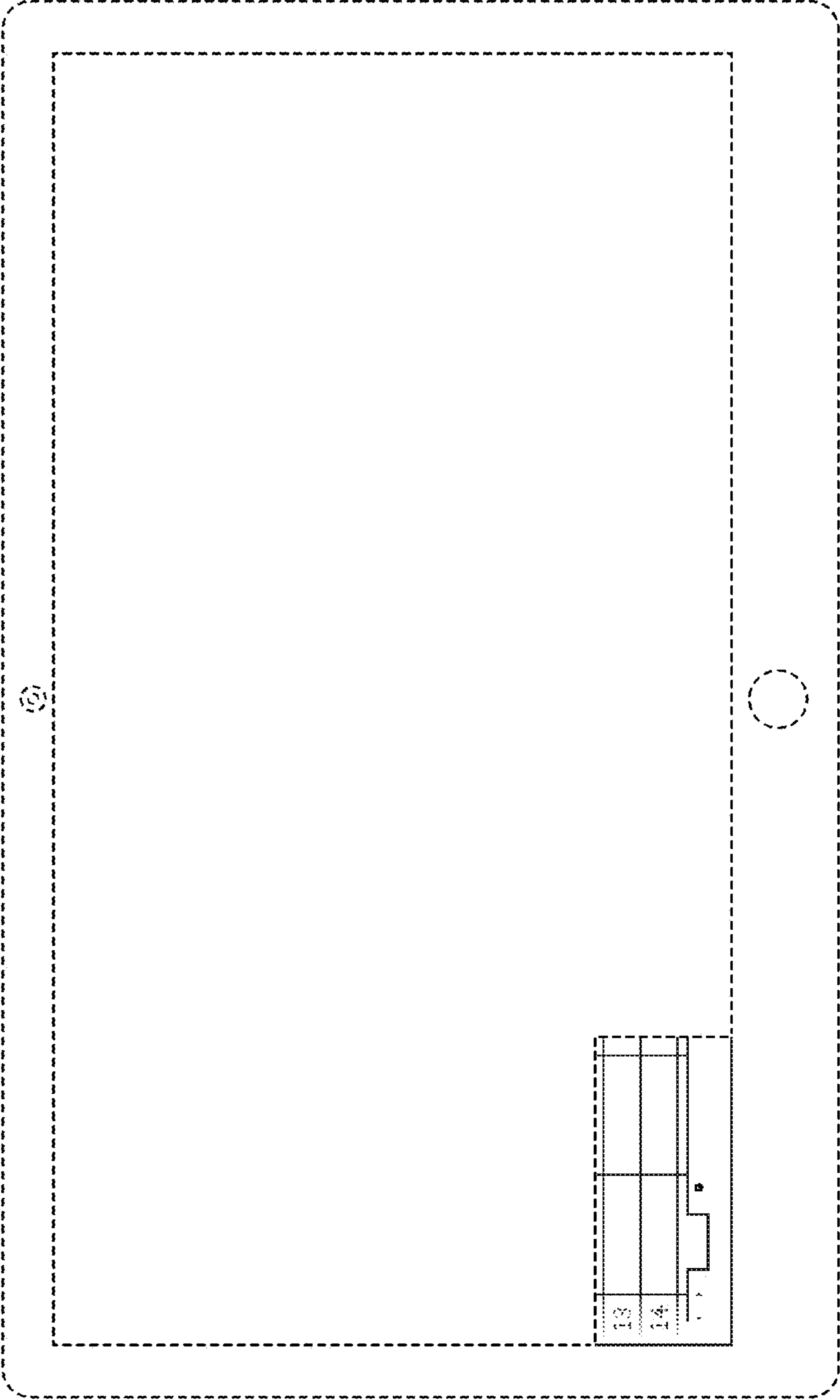


FIG. 1

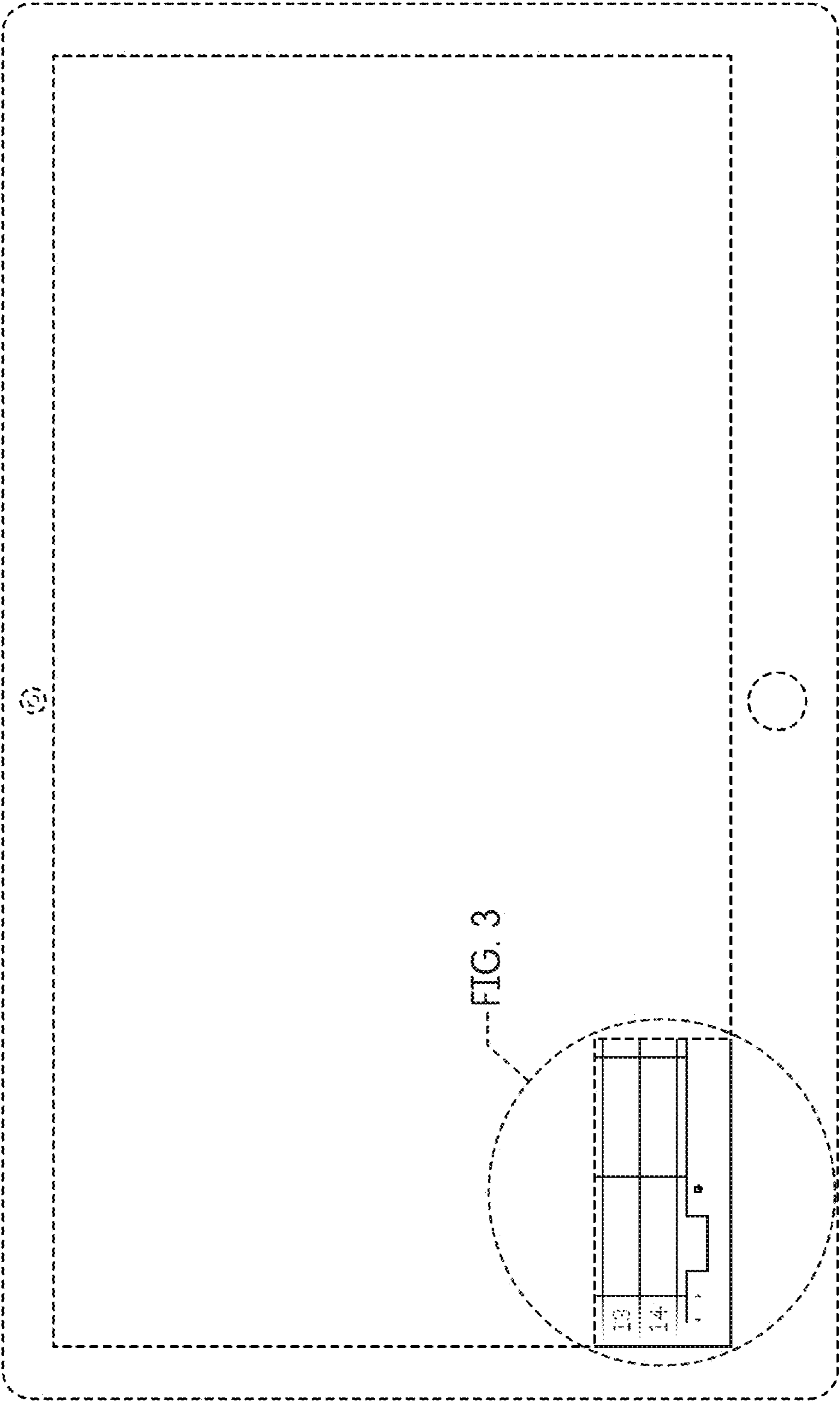


FIG. 2

FIG. 3

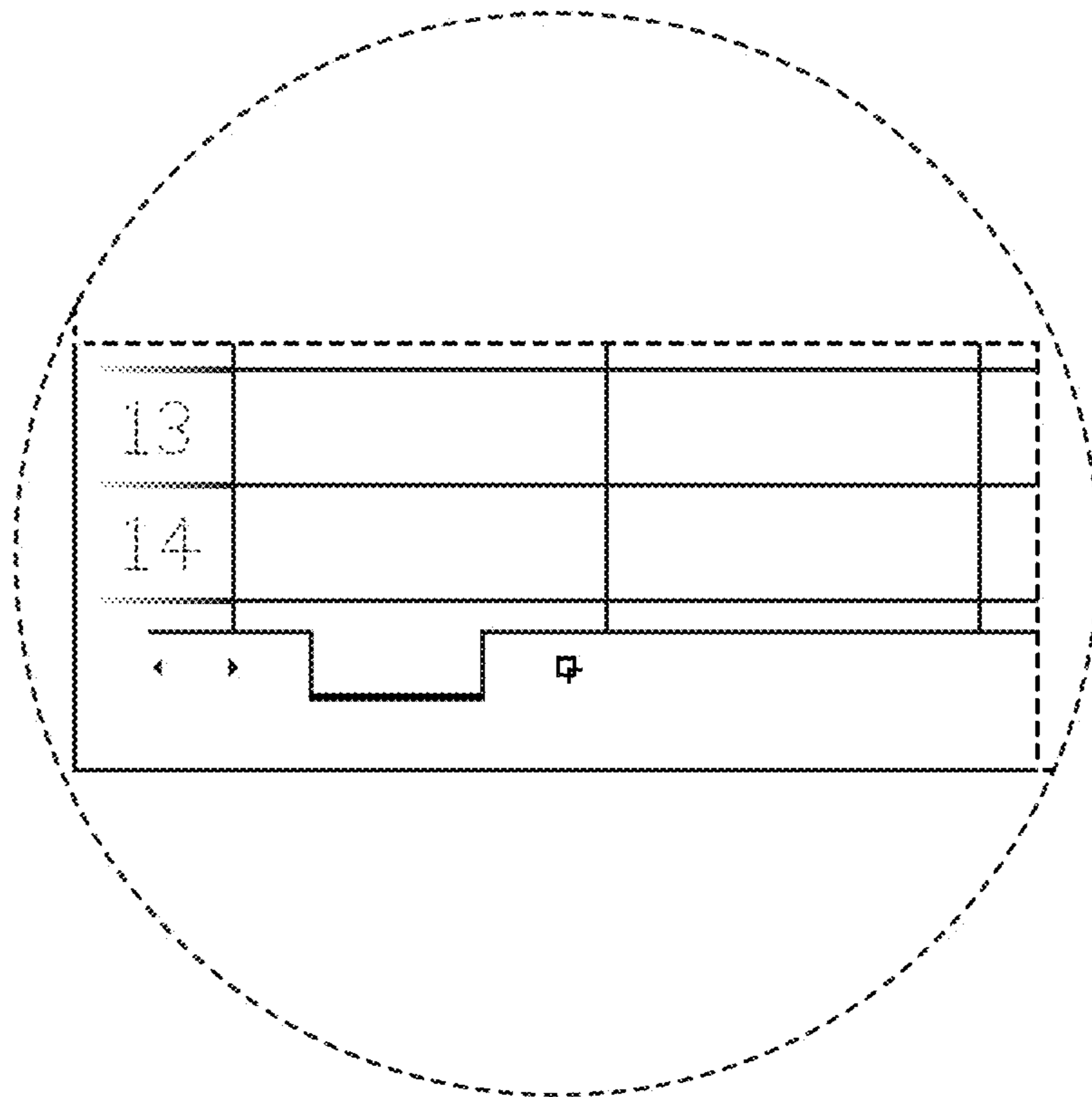


FIG. 3