

US00D689060S

(12) **United States Design Patent**
Tamura et al.

(10) **Patent No.:** **US D689,060 S**
(45) **Date of Patent:** **** Sep. 3, 2013**

(54) **DISPLAY PANEL OR SCREEN WITH A GRAPHICAL USER INTERFACE**

(75) Inventors: **Ayaka Tamura**, Tokyo (JP); **Motoki Higashide**, Tokyo (JP)

(73) Assignee: **Sony Corporation**, Tokyo (JP)

(**) Term: **14 Years**

(21) Appl. No.: **29/371,446**

(22) Filed: **Feb. 28, 2011**

(30) **Foreign Application Priority Data**

Dec. 28, 2010	(JP)	D2010-031511
Dec. 28, 2010	(JP)	D2010-031512
Dec. 28, 2010	(JP)	D2010-031513
Dec. 28, 2010	(JP)	D2010-031514
Dec. 28, 2010	(JP)	D2010-031515
Dec. 28, 2010	(JP)	D2010-031516

(51) **LOC (9) Cl.** **14-04**

(52) **U.S. Cl.**
USPC **D14/485**

(58) **Field of Classification Search**

USPC D14/485-495; 715/204, 246, 700, 715/702, 704, 715, 716, 718, 719, 720, 723, 715/727, 728, 732, 748, 752, 753, 762, 763, 715/768, 769, 771, 779, 781, 783, 784, 785, 715/786, 787, 788, 792, 793, 797, 798, 799, 715/800, 801, 802, 808, 809, 810, 821, 825, 715/828, 830, 831, 833, 834, 835, 837, 838, 715/841, 846, 847, 863, 864, 867, 973, 974, 715/975, 977

See application file for complete search history.

(56) **References Cited**

U.S. PATENT DOCUMENTS

D444,794 S 7/2001 Nashida et al.
D450,059 S 11/2001 Itou

(Continued)

FOREIGN PATENT DOCUMENTS

JP D1353915 S 3/2009
JP D1356231 S 4/2009

(Continued)

Primary Examiner — Angela J Lee

(74) *Attorney, Agent, or Firm* — Rader, Fishman & Grauer PLLC

(57) **CLAIM**

The ornamental design for a display panel or screen with a graphical user interface, as shown and described.

DESCRIPTION

FIG. 1 is a front elevational view of a first image of a first embodiment of a display panel or screen with a graphical user interface showing our new design;

FIG. 2 is a front elevational view of a second image thereof;

FIG. 3 is a front elevational view of a third image thereof;

FIG. 4 is a front elevational view of a fourth image thereof; and

FIG. 5 is a front elevational view of a fifth image thereof.

FIG. 6 is a front elevational view of a first image of a second embodiment of a display panel or screen with a graphical user interface showing our new design;

FIG. 7 is a front elevational view of a second image thereof;

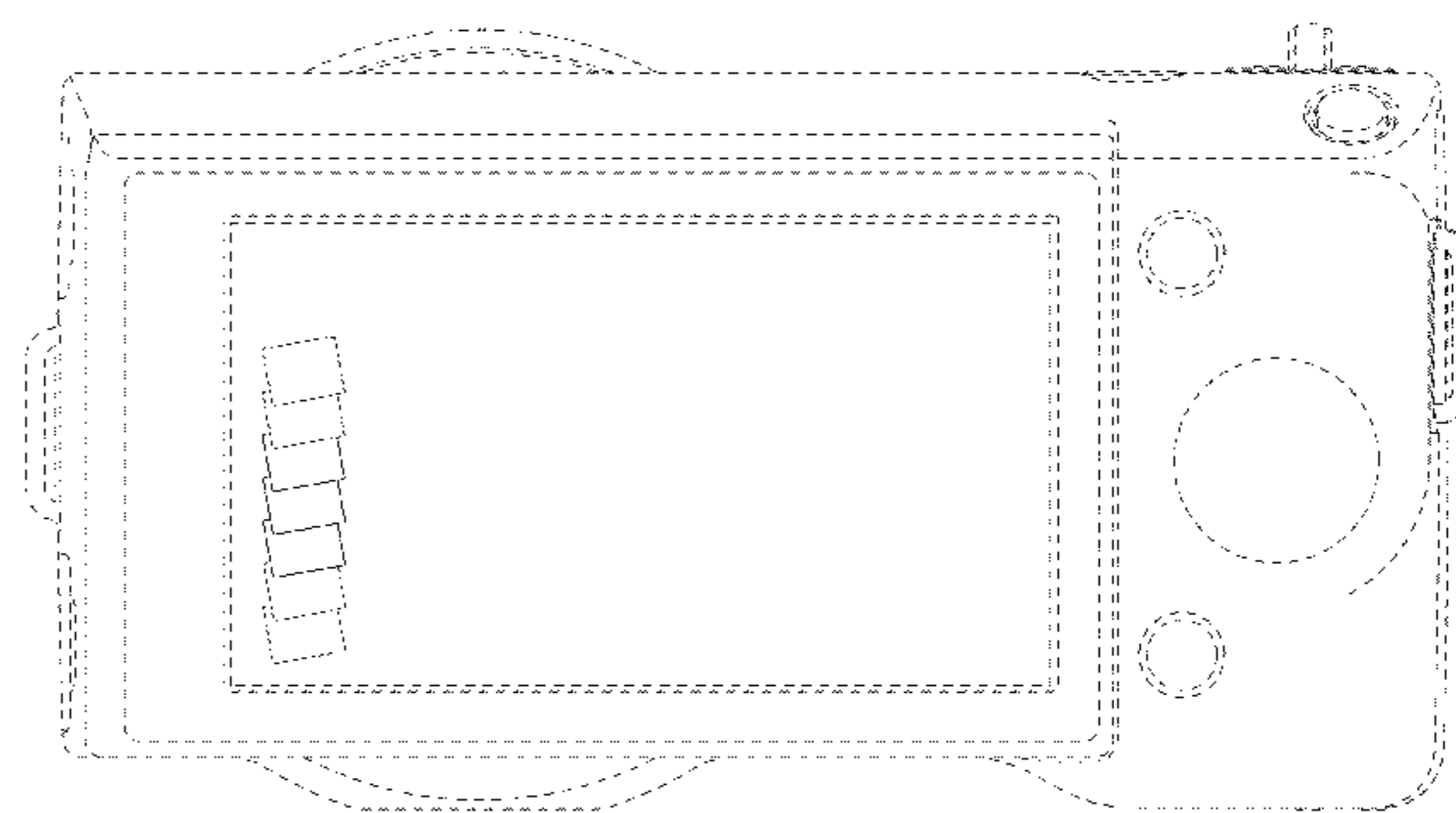
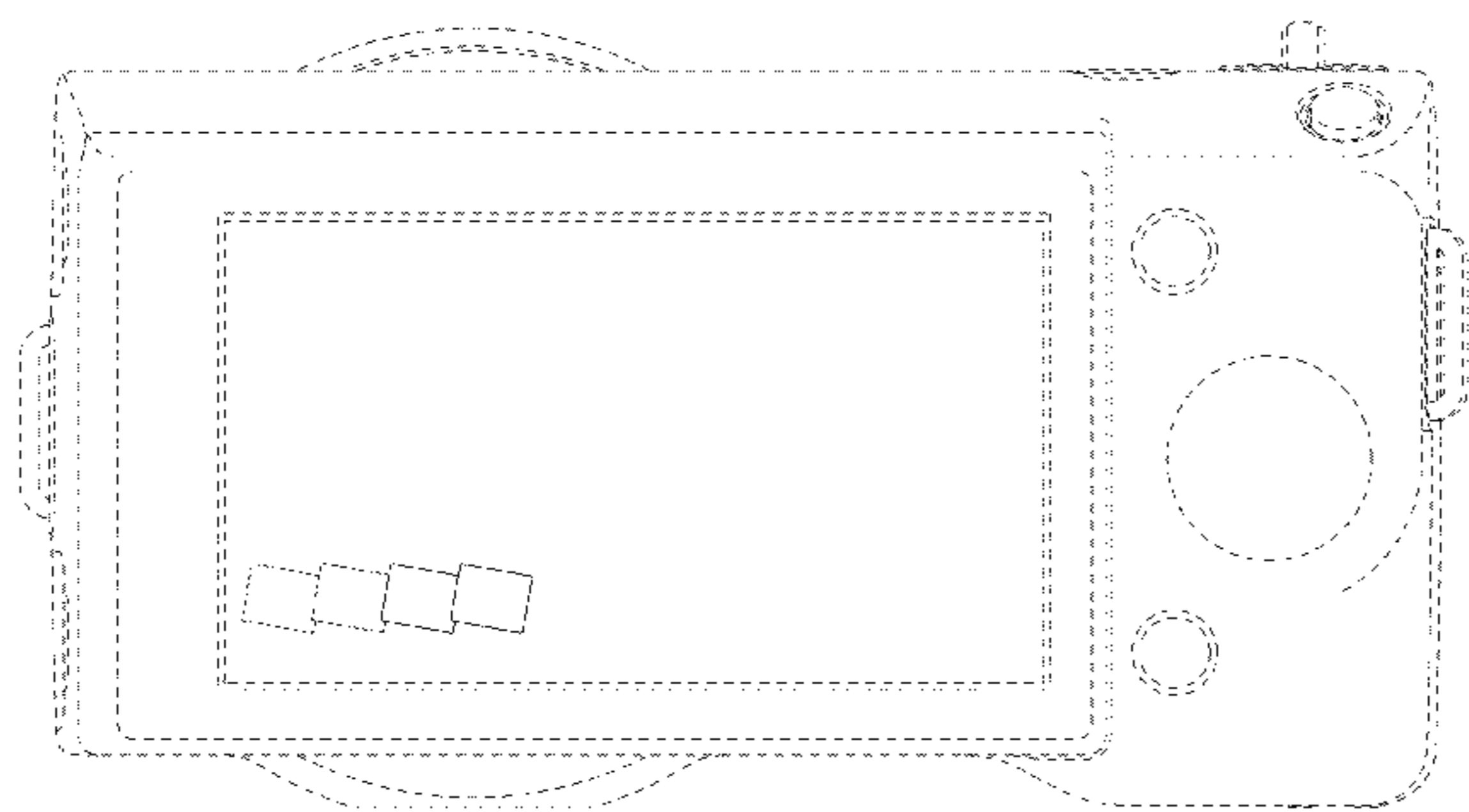
FIG. 8 is a front elevational view of a third image thereof;

FIG. 9 is a front elevational view of a fourth image thereof; and,

FIG. 10 is a front elevational view of a fifth image thereof.

The appearance of the image transitions sequentially between or among the images shown in FIGS. 1-5 and FIGS. 6-10, respectively. The process or period in which an image transitions to another forms no part of the claimed design. The broken line showing of a display panel or screen, and other elements forms no part of the claimed design.

1 Claim, 10 Drawing Sheets



(56)

References Cited

U.S. PATENT DOCUMENTS

D459,361	S	6/2002	Inagaki	
D472,902	S	4/2003	Nashida et al.	
D475,064	S	5/2003	Nashida et al.	
7,051,291	B2 *	5/2006	Sciammarella et al.	715/838
D559,855	S *	1/2008	Sato et al.	D14/486
7,437,005	B2 *	10/2008	Drucker et al.	382/224
D593,577	S	6/2009	Baurmann et al.	
D594,026	S *	6/2009	Ball et al.	D14/488
7,657,845	B2 *	2/2010	Drucker et al.	715/833
7,698,658	B2 *	4/2010	Ohwa et al.	715/835
D633,920	S *	3/2011	Luke et al.	D14/488
D637,606	S *	5/2011	Luke et al.	D14/488
2001/0035875	A1 *	11/2001	Suzuki et al.	345/723
2002/0054157	A1 *	5/2002	Hayashi et al.	345/838

2008/0120571	A1 *	5/2008	Chang et al.	715/810
2008/0155475	A1 *	6/2008	Duhig	715/830
2009/0083668	A1 *	3/2009	Aizawa et al.	715/838
2010/0281374	A1 *	11/2010	Schulz et al.	715/723
2011/0099473	A1 *	4/2011	Son et al.	715/704
2011/0126156	A1 *	5/2011	Krishnaraj et al.	715/828
2011/0131531	A1 *	6/2011	Russell et al.	715/835
2011/0225522	A1 *	9/2011	Kamiyama et al.	715/762

FOREIGN PATENT DOCUMENTS

JP	D1359571	S	5/2009	
JP	D1364051	S	7/2009	
JP	D1374286	S	11/2009	
JP	D1381735	S	3/2010	
JP	D1388571	S	5/2010	
KR	300586681.0000		* 1/2011	

* cited by examiner

FIG.1

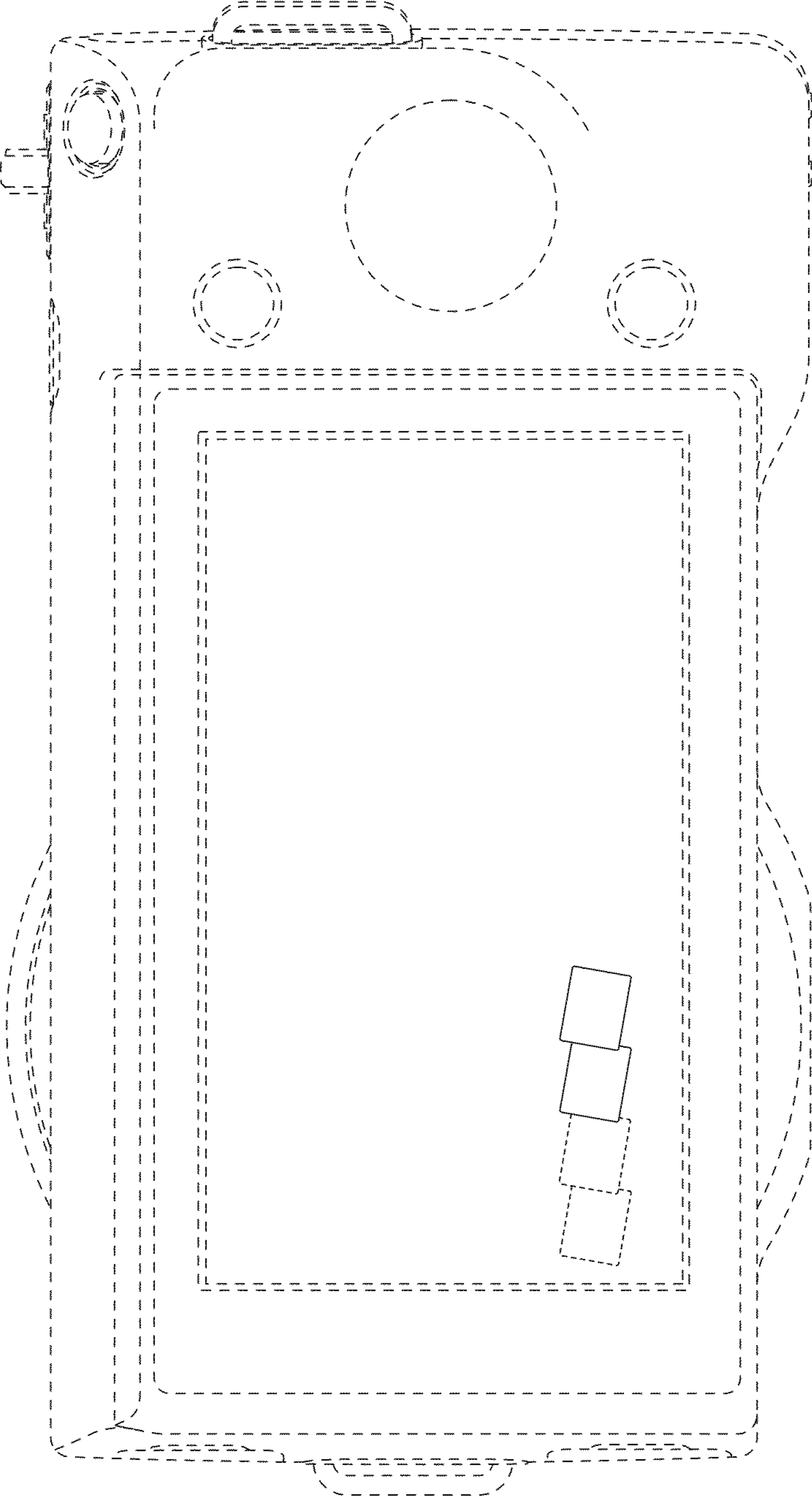


FIG.2

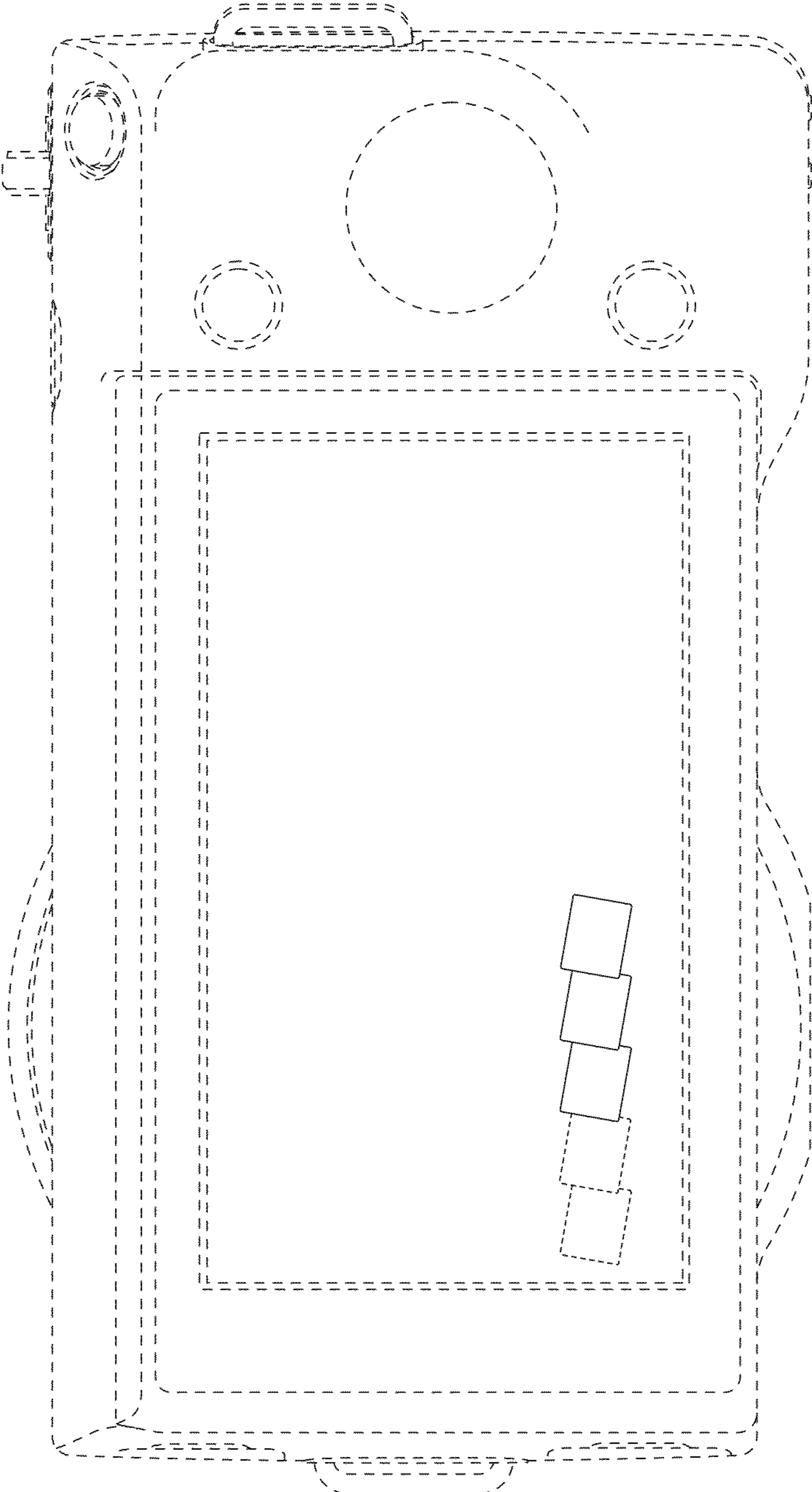


FIG.3

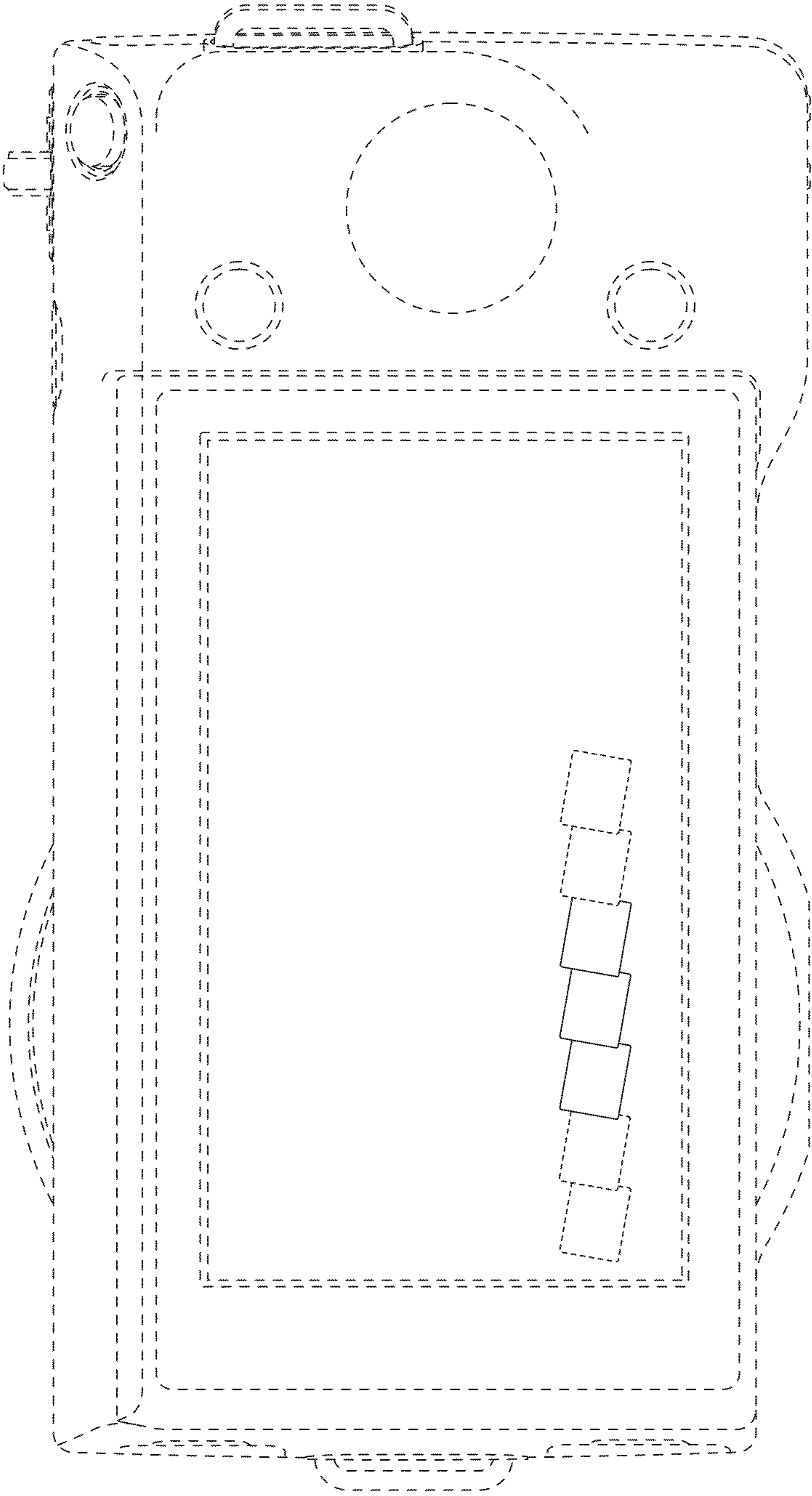


FIG.4

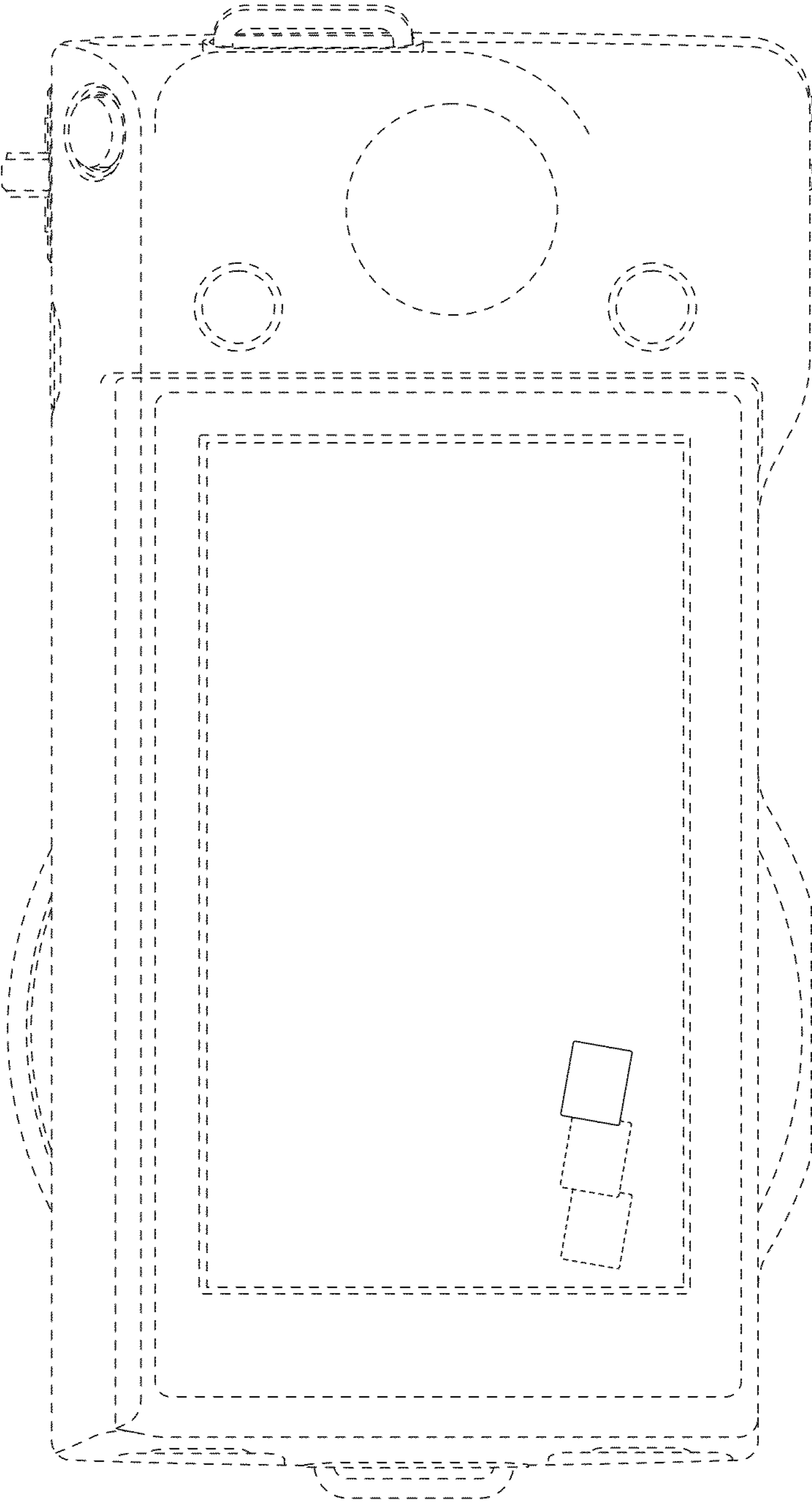


FIG.5

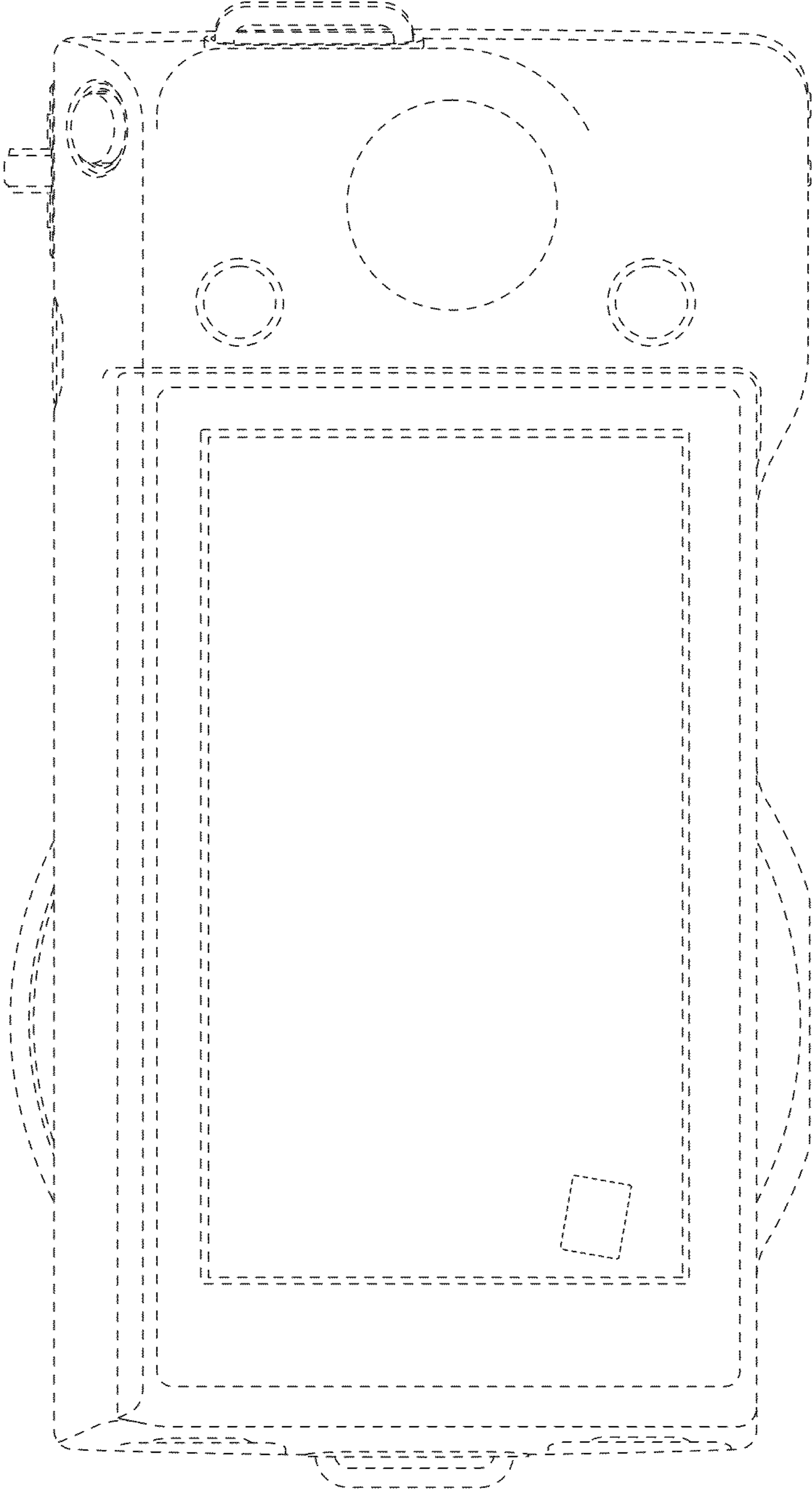


FIG.6

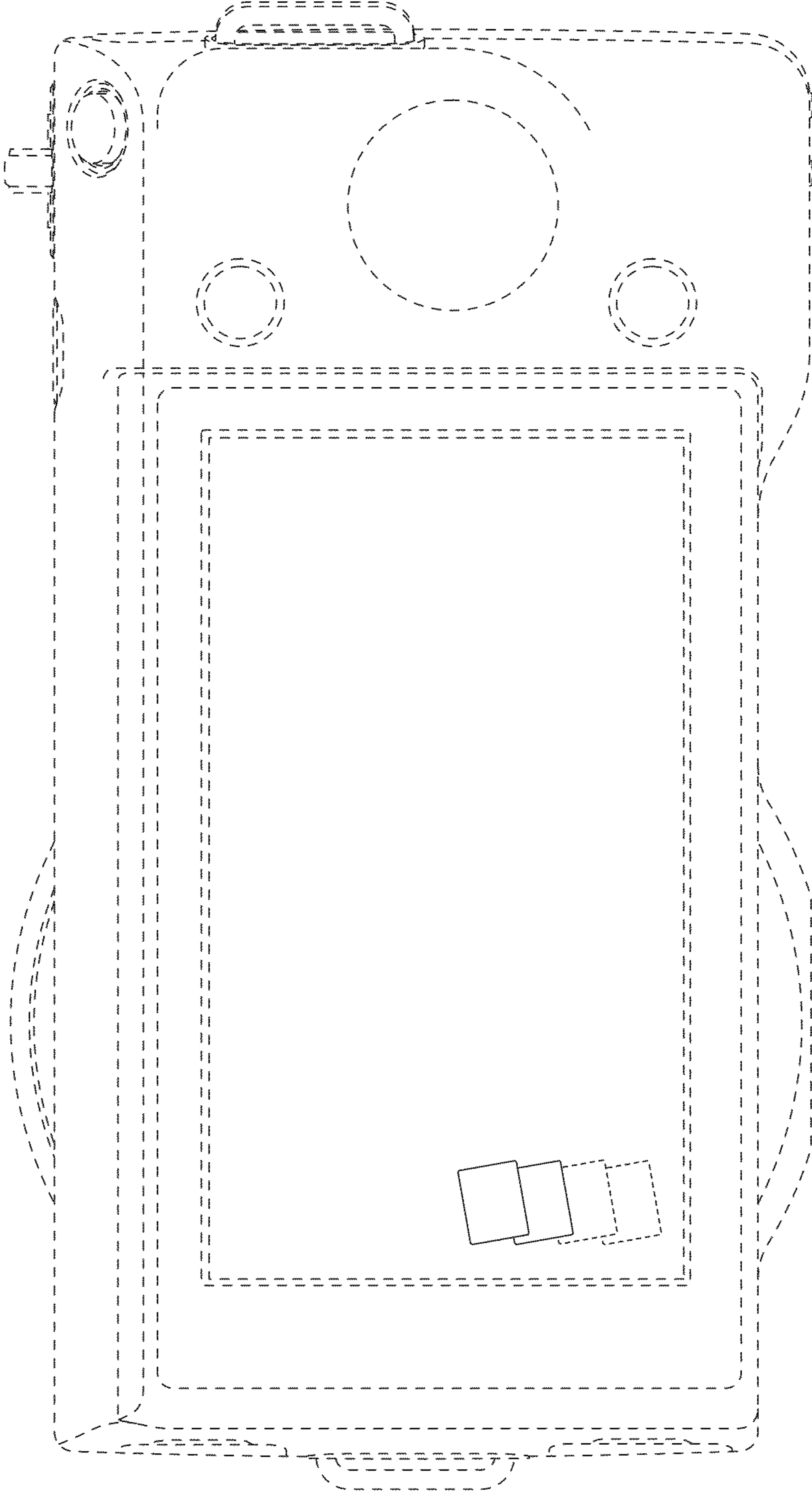


FIG. 7

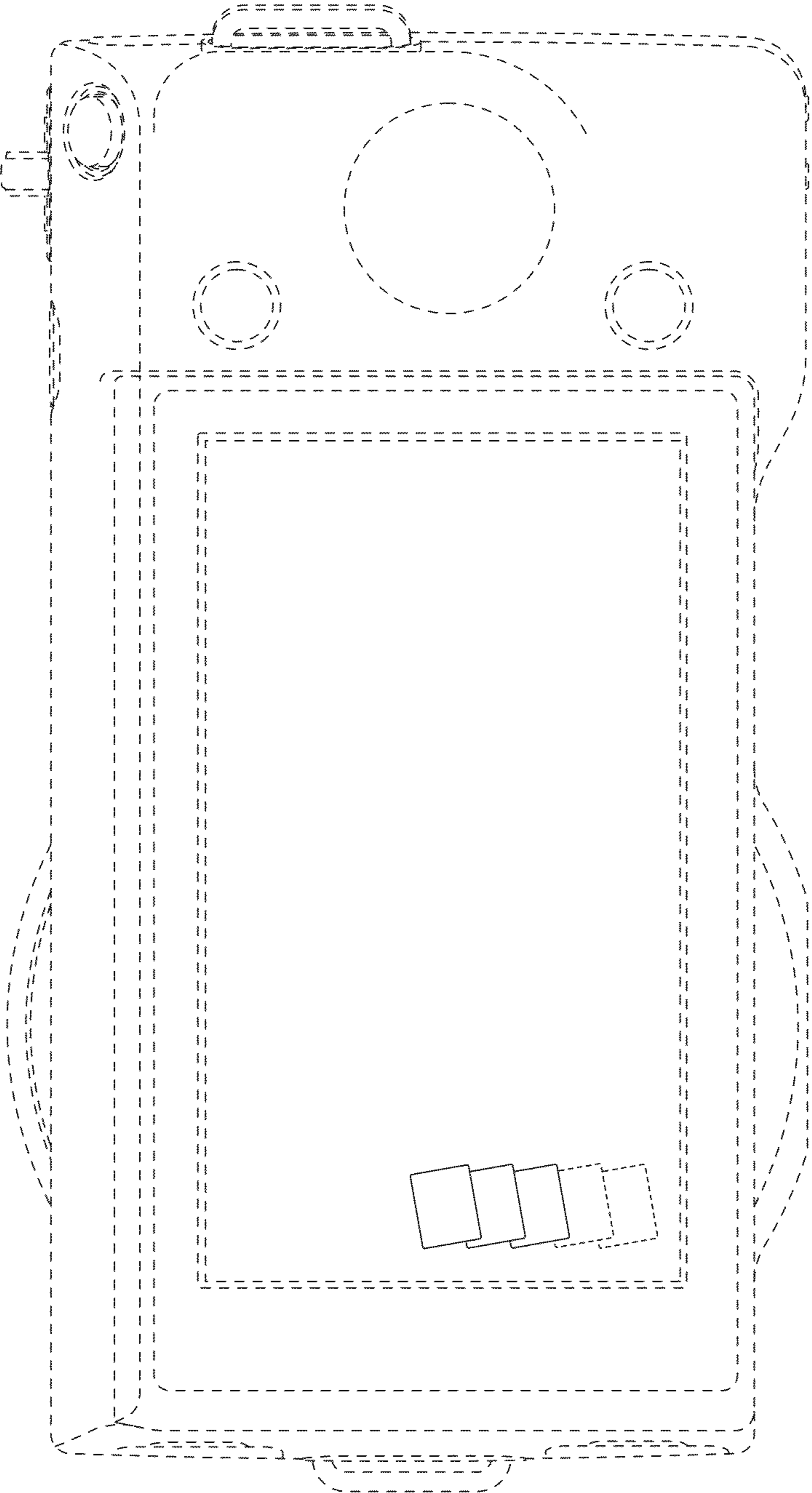


FIG.8

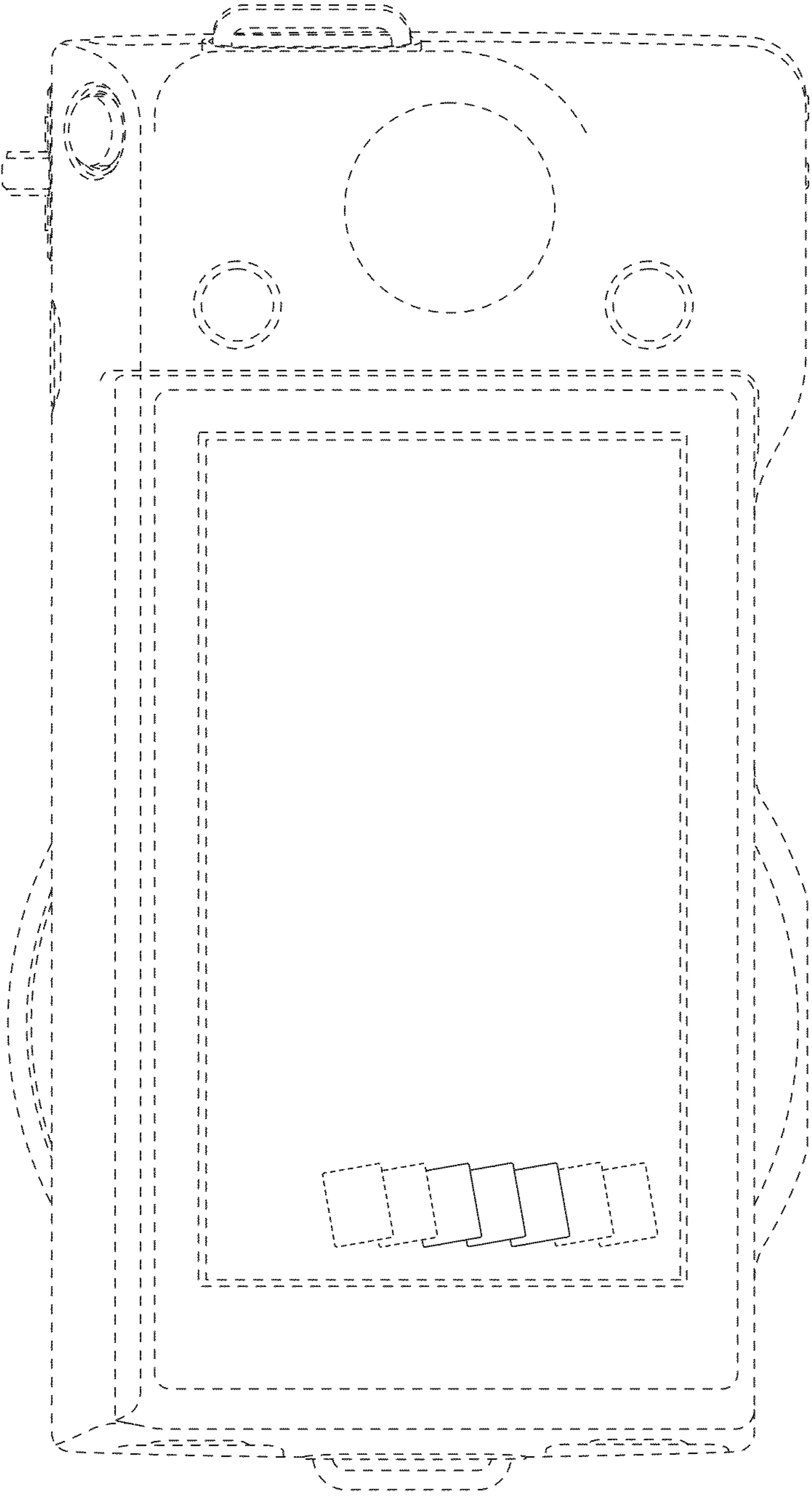


FIG.9

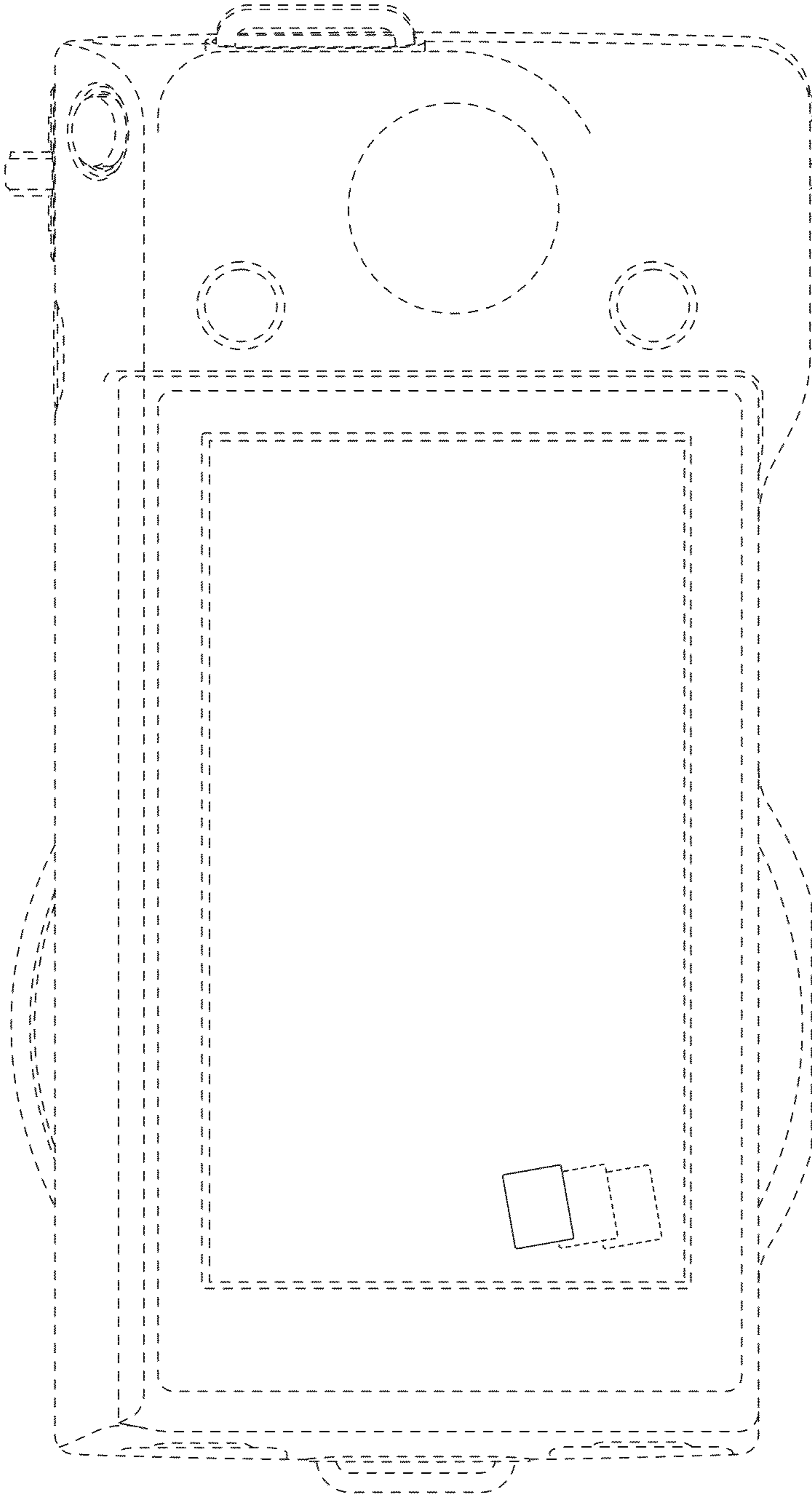


FIG.10

