



US00D689058S

(12) **United States Design Patent**  
**Waterman**

(10) **Patent No.:** **US D689,058 S**

(45) **Date of Patent:** **\*\* Sep. 3, 2013**

(54) **SLED FOR A TABLET COMPUTER**

(71) Applicant: **Jadak, LLC**, North Syracuse, NY (US)

(72) Inventor: **Mark D. Waterman**, North Syracuse, NY (US)

(73) Assignee: **Jadak, LLC**, North Syracuse, NY (US)

(\*\*) Term: **14 Years**

(21) Appl. No.: **29/437,722**

(22) Filed: **Nov. 20, 2012**

(51) **LOC (9) Cl.** ..... **08-07**

(52) **U.S. Cl.**  
USPC ..... **D14/447**

(58) **Field of Classification Search**  
USPC ..... D14/432, 433, 434, 439, 440, 451,  
D14/452, 239, 217, 224.1, 251, 252, 253,  
D14/457, 458, 459, 460, 461; D6/406.1,  
D6/406.2, 406.3, 406.4, 406.5, 406.6;  
361/679.06, 679.21, 679.22, 679.24, 679.26,  
361/679.27, 679.28, 679.3, 679.55, 679.56,  
361/709; 248/917-924, 133, 136, 139, 150,  
248/176.1, 188.6; D12/415  
See application file for complete search history.

(56) **References Cited**

U.S. PATENT DOCUMENTS

D323,085 S \* 1/1992 Konkel ..... D6/466  
D411,206 S \* 6/1999 Richter ..... D14/253  
D468,733 S \* 1/2003 Narducci et al. .... D14/253  
D557,259 S \* 12/2007 Hirsch ..... D14/217  
D602,913 S \* 10/2009 Han et al. .... D14/217  
D626,541 S \* 11/2010 Kim et al. .... D14/253

D640,681 S \* 6/2011 Baumann et al. .... D14/253  
D641,024 S \* 7/2011 Zenri et al. .... D14/447  
D646,315 S \* 10/2011 Orf ..... D16/242  
8,074,951 B2 12/2011 Carnevali  
D656,940 S \* 4/2012 McClelland et al. .... D14/447  
D678,290 S \* 3/2013 Smith et al. .... D14/440  
D679,714 S \* 4/2013 Smith et al. .... D14/440  
2012/0037771 A1 2/2012 Kitchen

FOREIGN PATENT DOCUMENTS

WO WO2011127261 10/2011  
WO WO2012054976 5/2012

\* cited by examiner

*Primary Examiner* — Angela J Lee

(74) *Attorney, Agent, or Firm* — David L. Nocilly; Bond Schoeneck & King

(57) **CLAIM**

The ornamental design for a sled for a tablet computer, as shown and described.

**DESCRIPTION**

FIG. 1 is a perspective view of a new and ornamental design for a sled for a tablet computer with portions shown in phantom for environment only and forming no part of the claimed invention;

FIG. 2 is a left side elevation thereof;

FIG. 3 is a right side elevation thereof;

FIG. 4 is a rear elevation thereof;

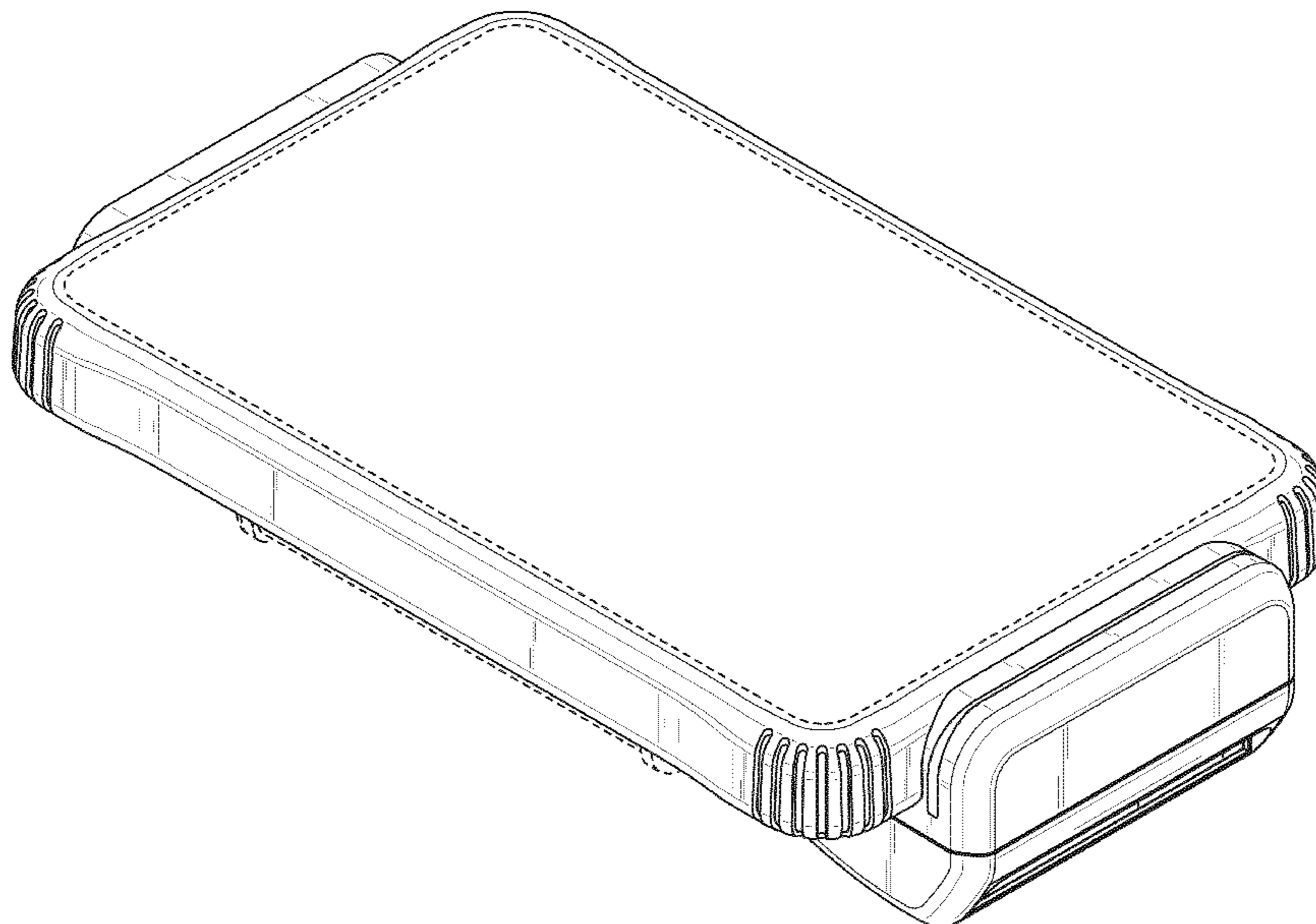
FIG. 5 is front elevation thereof;

FIG. 6 is a top plan thereof; and,

FIG. 7 is a bottom plan view thereof.

The broken lines shown in the drawings represent portions of the sled for a tablet computer that form no part of the claimed design.

**1 Claim, 5 Drawing Sheets**



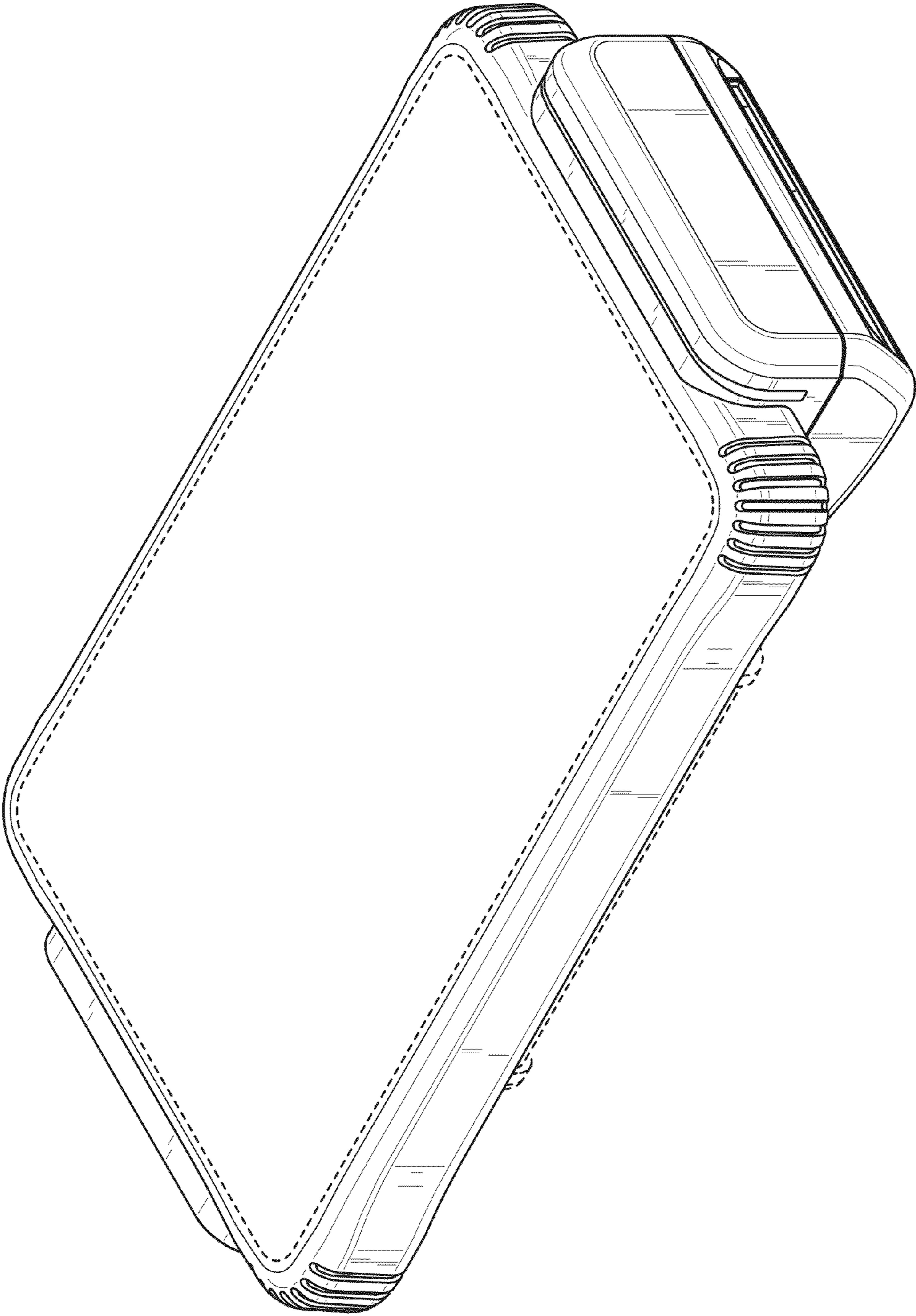


FIG. 1

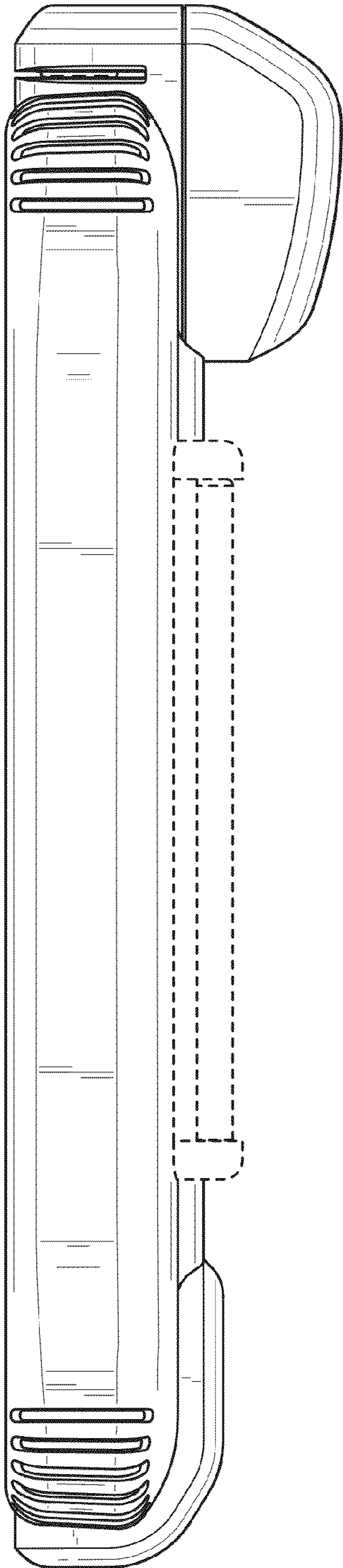


FIG. 2

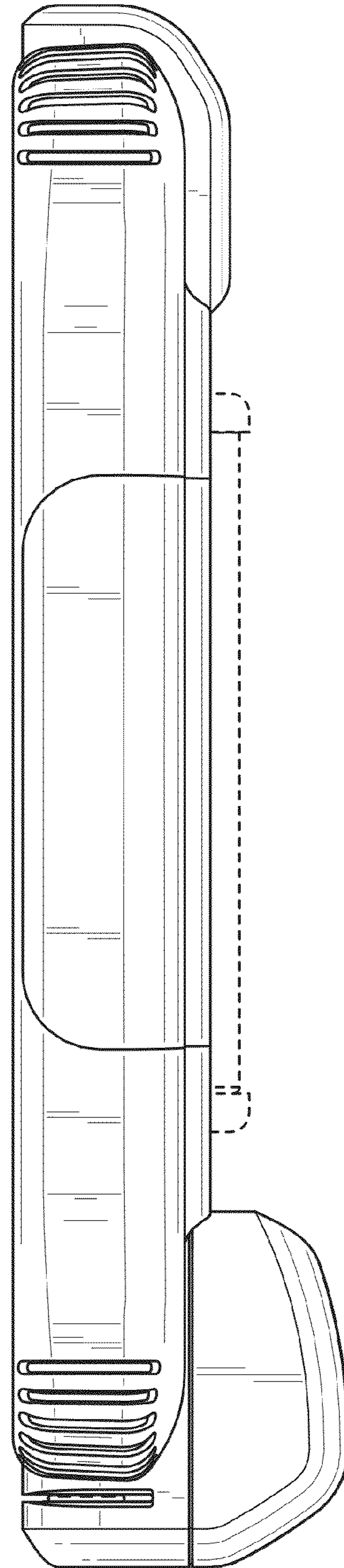


FIG. 3

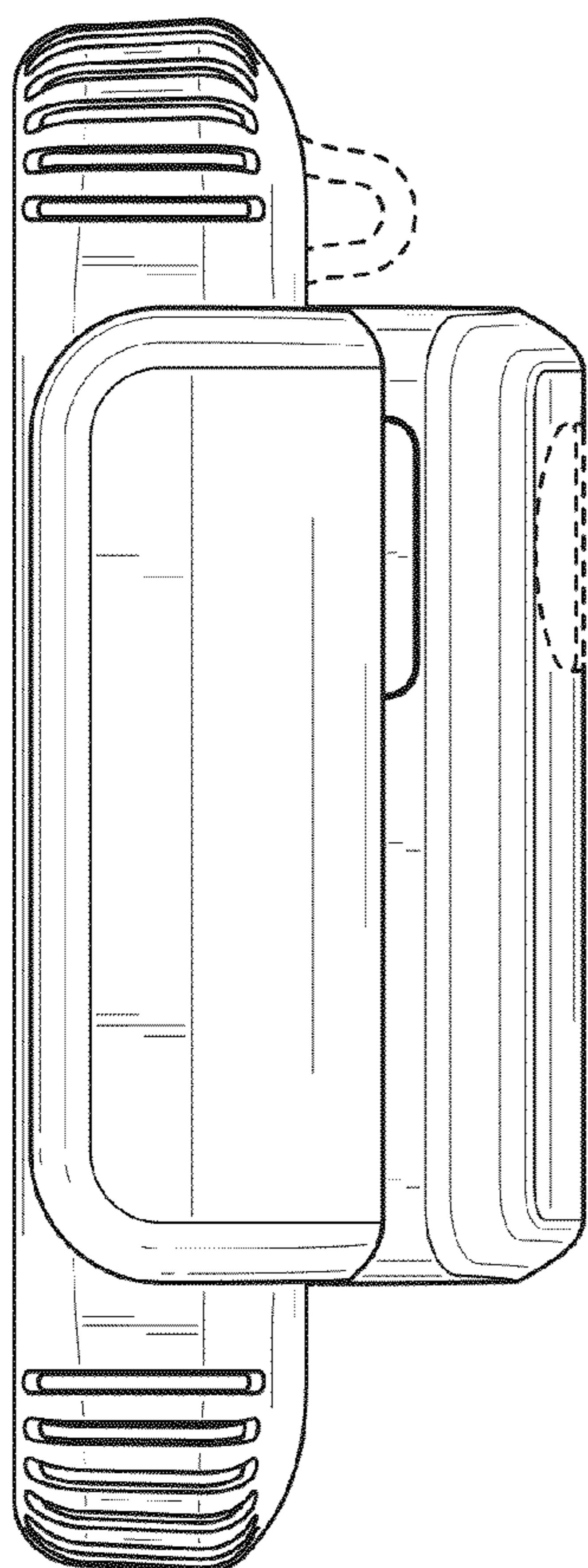


FIG. 4

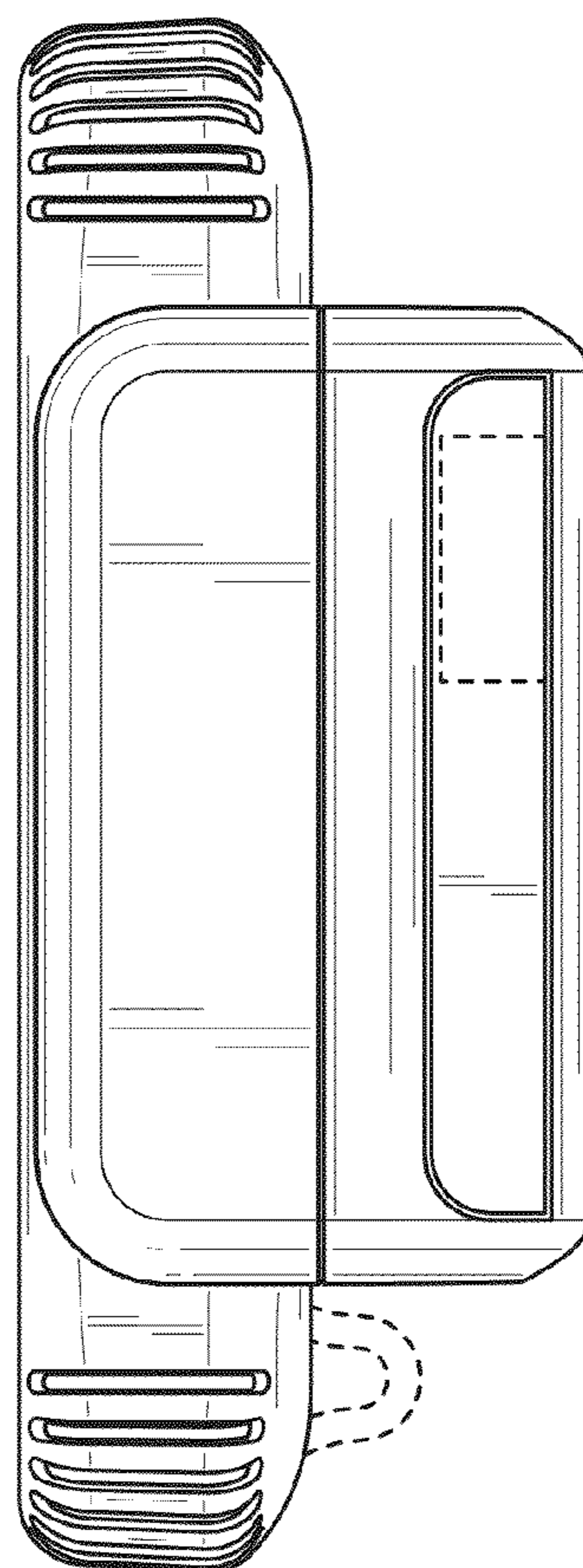


FIG. 5

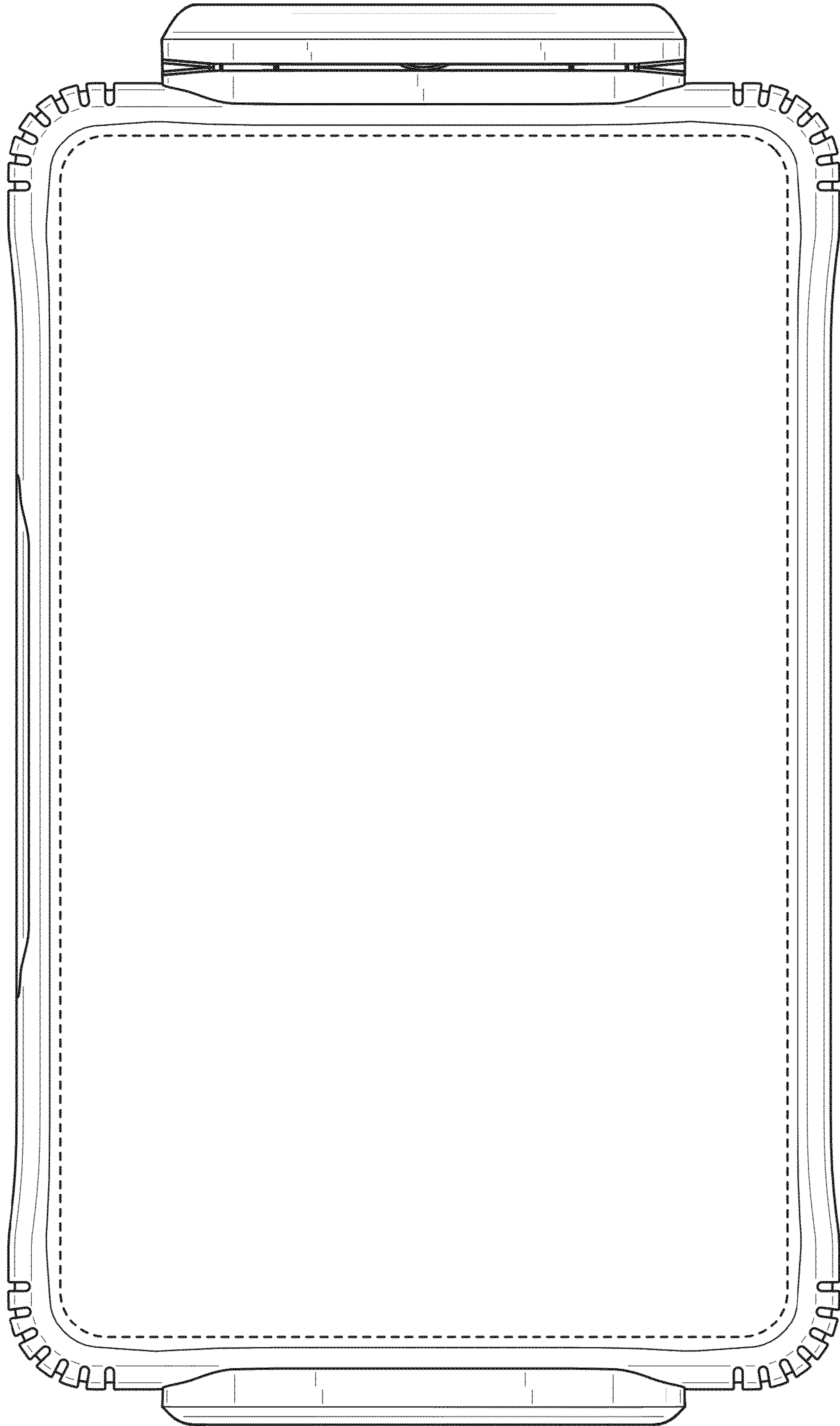


FIG. 6

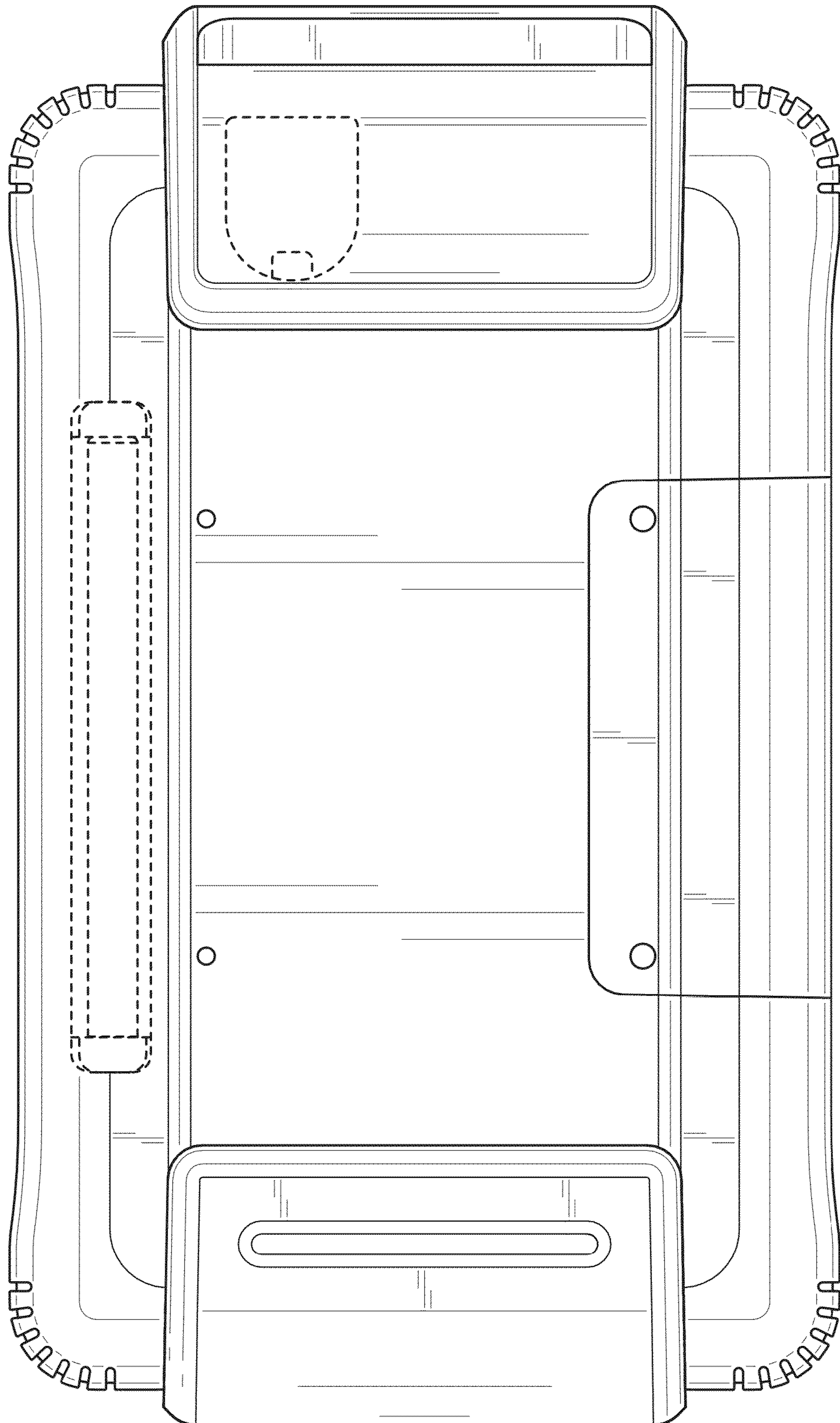


FIG. 7