



US00D689057S

(12) **United States Design Patent**  
**Waterman**

(10) **Patent No.:** **US D689,057 S**  
(45) **Date of Patent:** **\*\* Sep. 3, 2013**

(54) **SLED FOR A TABLET COMPUTER**  
(71) Applicant: **Jadak, LLC**, North Syracuse, NY (US)  
(72) Inventor: **Mark D. Waterman**, North Syracuse, NY (US)  
(73) Assignee: **Jadak, LLC**, North Syracuse, NY (US)  
(\*\*) Term: **14 Years**  
(21) Appl. No.: **29/436,655**

(22) Filed: **Nov. 8, 2012**  
(51) **LOC (9) Cl.** ..... **08-07**  
(52) **U.S. Cl.**  
USPC ..... **D14/447**  
(58) **Field of Classification Search**  
USPC ..... D14/432, 433, 434, 439, 440, 451,  
D14/452, 239, 217, 224.1, 251, 252, 253,  
D14/457, 458, 459, 460, 461; D6/406.1,  
D6/406.2, 406.3, 406.4, 406.5, 406.6;  
361/679.06, 679.21, 679.22, 679.24, 679.26,  
361/679.27, 679.28, 679.3, 679.55, 679.56,  
361/709; 248/917-924, 133, 136, 139, 150,  
248/176.1, 188.6  
See application file for complete search history.

(56) **References Cited**

**U.S. PATENT DOCUMENTS**

D643,030 S \* 8/2011 Cheng et al. .... D14/253  
D646,315 S \* 10/2011 Orf ..... D16/242  
D646,674 S \* 10/2011 Liao ..... D14/253  
D650,774 S \* 12/2011 Molter ..... D14/239  
8,074,951 B2 12/2011 Carnevali  
D656,931 S \* 4/2012 Wikel ..... D14/253  
D665,797 S \* 8/2012 Novak ..... D14/253

D669,459 S \* 10/2012 Kim ..... D14/253  
D669,890 S \* 10/2012 Hopkins et al. .... D14/251  
D670,691 S \* 11/2012 Novak ..... D14/253  
D671,950 S \* 12/2012 Richter ..... D14/447  
D674,803 S \* 1/2013 Westrup ..... D14/440  
D675,212 S \* 1/2013 Chen ..... D14/447  
2012/0037771 A1 2/2012 Kitchen  
2012/0175474 A1\* 7/2012 Barnard et al. .... 248/122.1

**FOREIGN PATENT DOCUMENTS**

WO WO2011127261 10/2011  
WO WO2012054976 5/2012

\* cited by examiner

*Primary Examiner* — Angela J Lee

(74) *Attorney, Agent, or Firm* — David L. Nocilly; Bond Schoeneck & King

(57) **CLAIM**

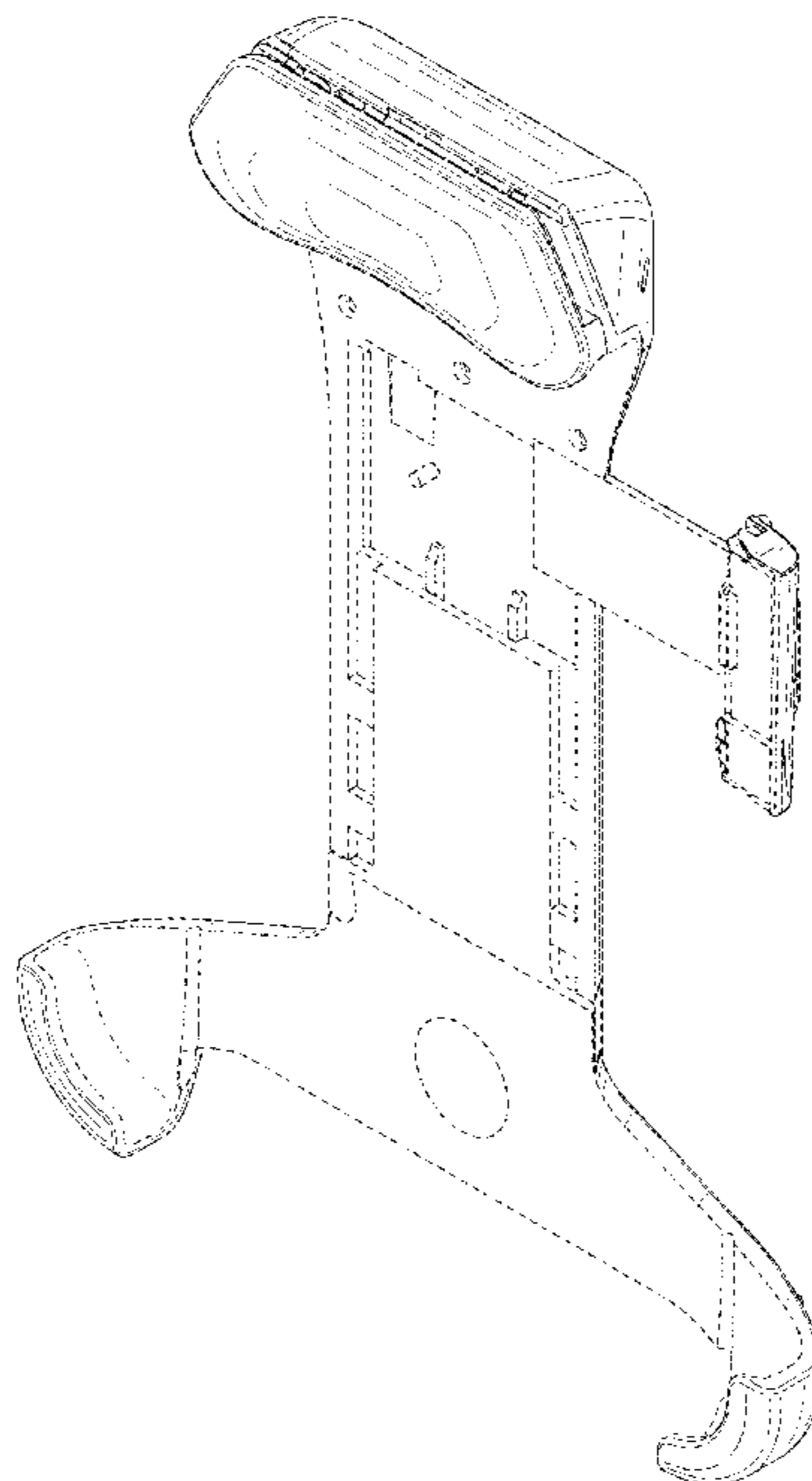
The ornamental design for a sled for a tablet computer, as shown and described.

**DESCRIPTION**

FIG. 1 is a perspective view of a new and ornamental design for a sled for a tablet computer;  
FIG. 2 is a rear elevation thereof;  
FIG. 3 is front elevation thereof;  
FIG. 4 is a left side elevation thereof;  
FIG. 5 is a right side elevation thereof;  
FIG. 6 is a bottom plan thereof; and,  
FIG. 7 is a top plan view thereof.

The broken lines shown in the drawings represent portions of the sled for a tablet computer that form no part of the claimed design.

**1 Claim, 5 Drawing Sheets**



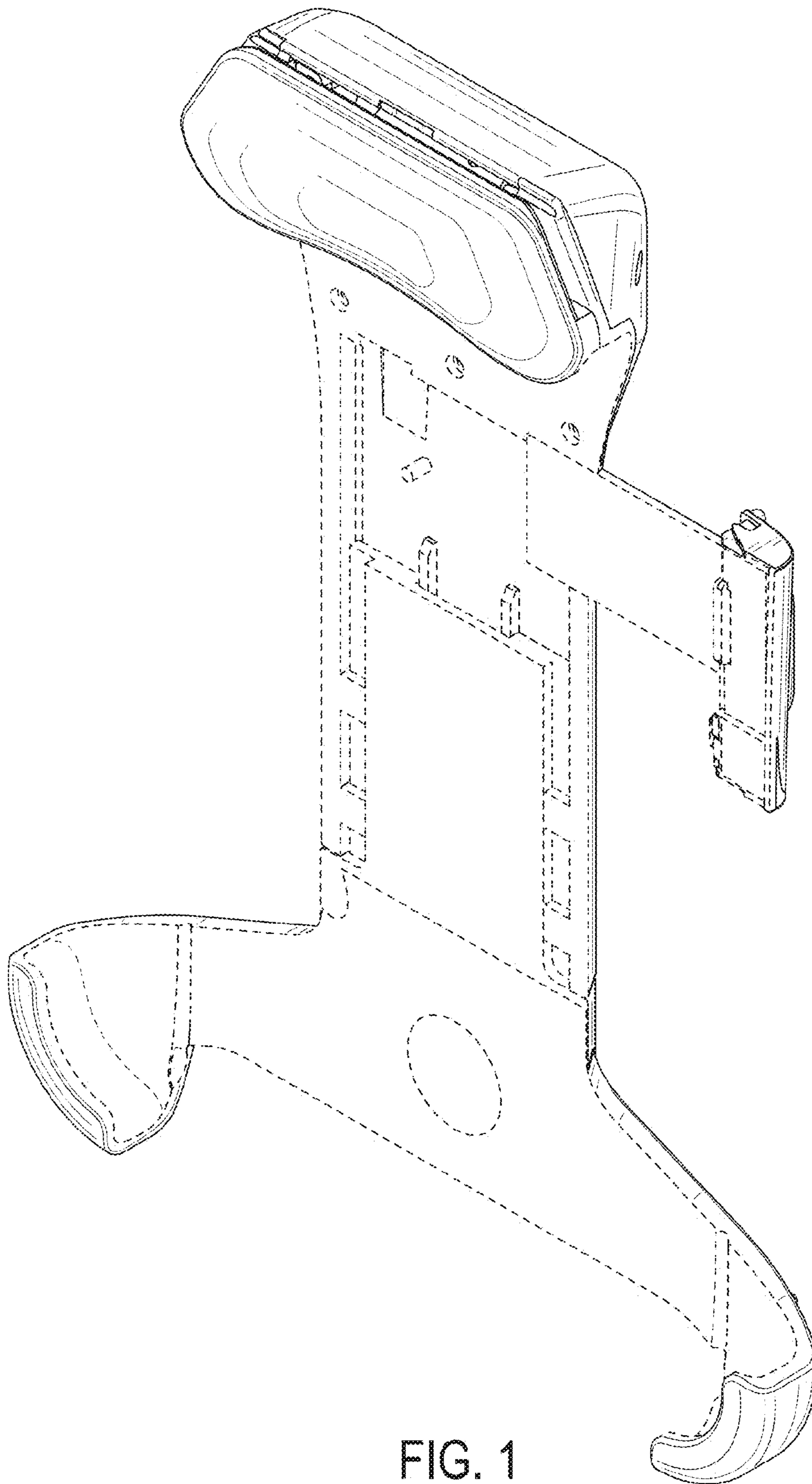


FIG. 1

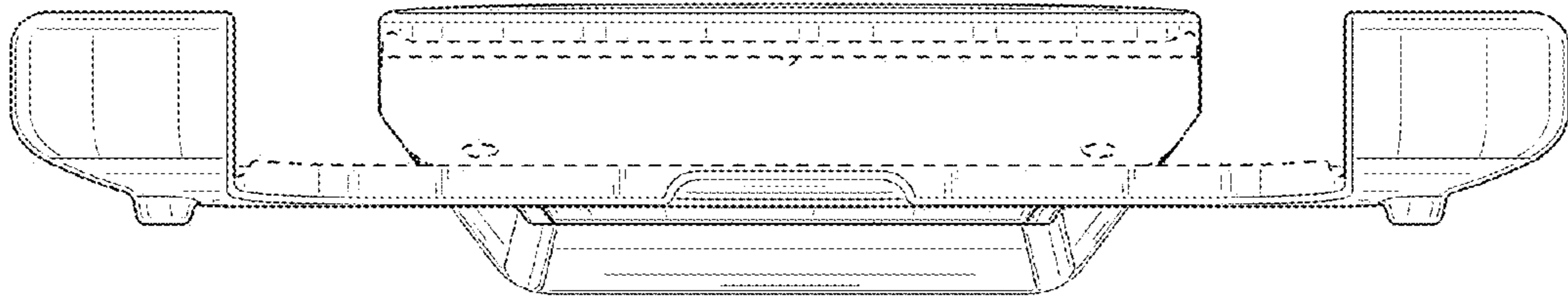


FIG. 2

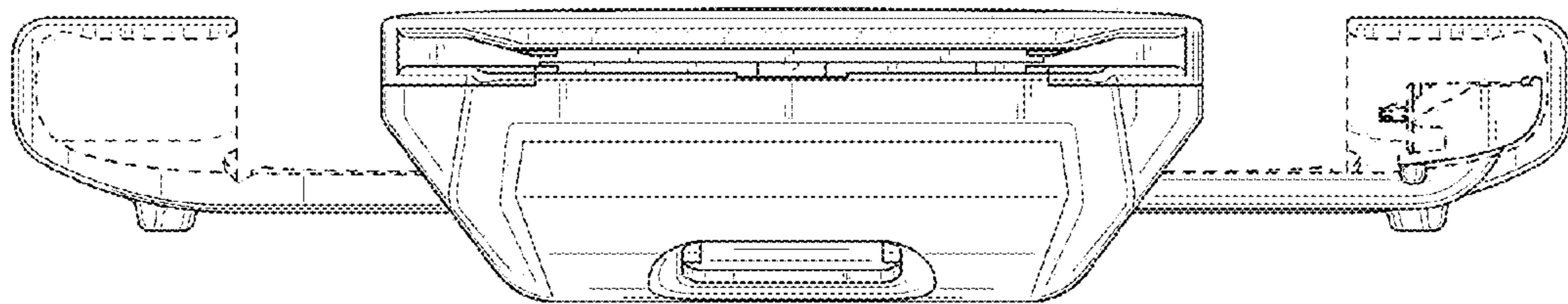


FIG. 3

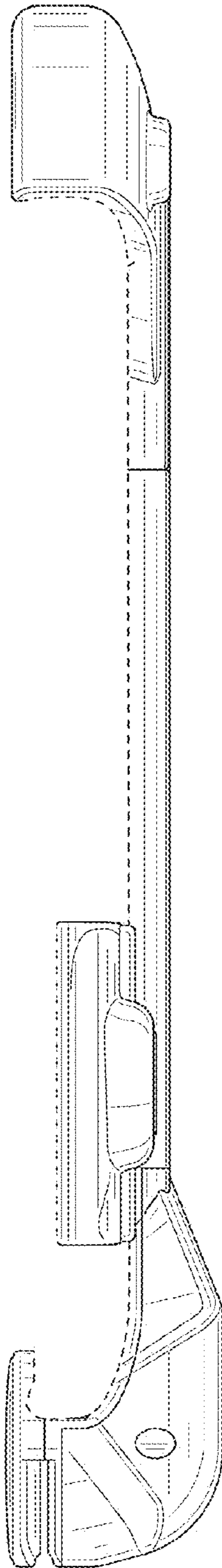


FIG. 4

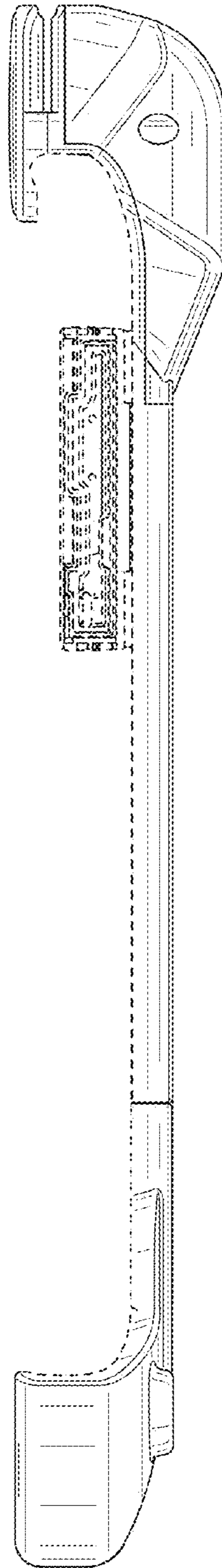


FIG. 5

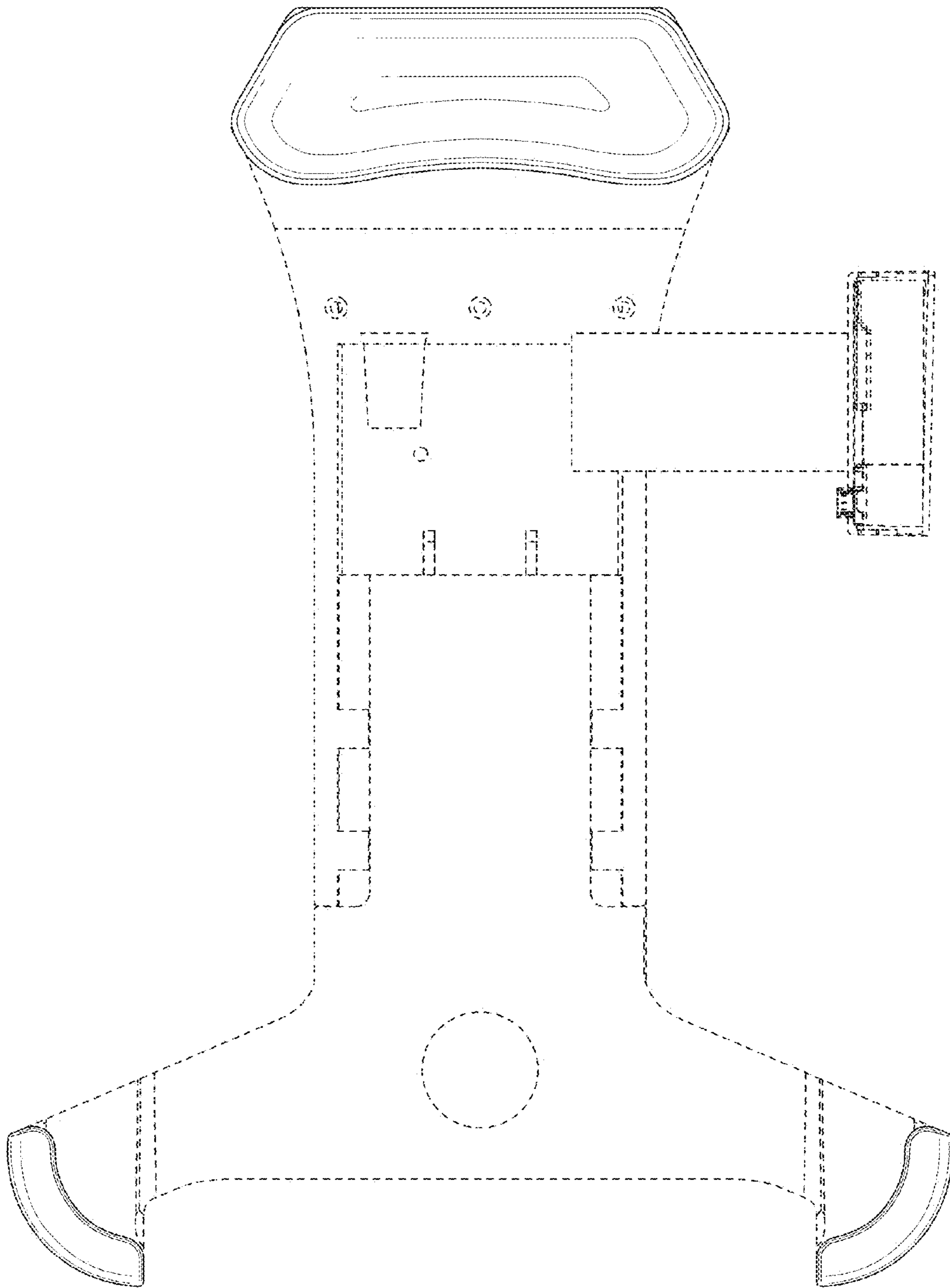


FIG. 6

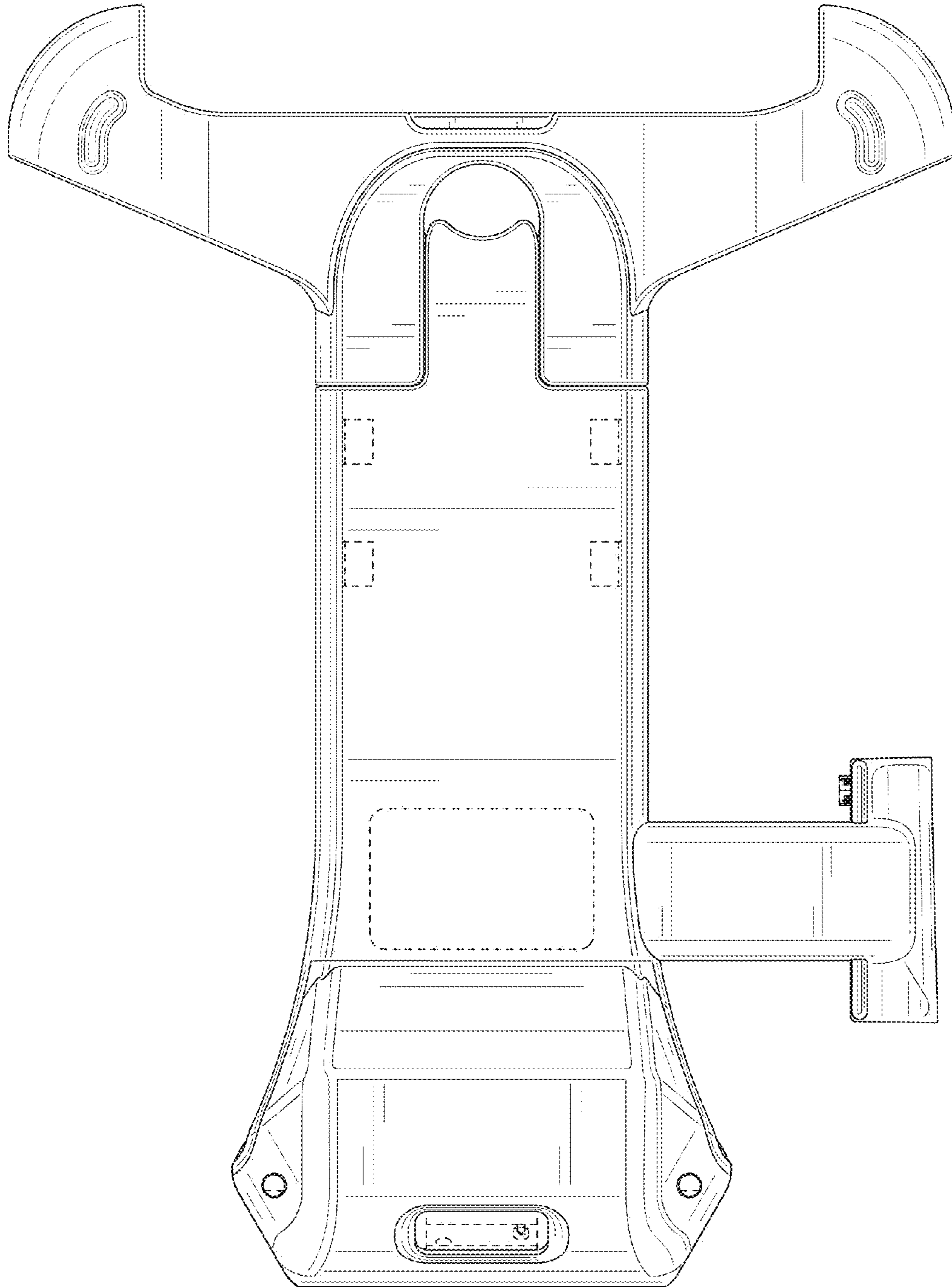


FIG. 7