



US00D689056S

(12) **United States Design Patent**  
**Li**

(10) **Patent No.:** **US D689,056 S**  
(45) **Date of Patent:** **\*\* Sep. 3, 2013**

(54) **PROTECTIVE CASING FOR PDA, TABLET PC, IPAD AND THE LIKE**

(76) Inventor: **Jianhui Li**, Shenzhen (CN)

(\*\*) Term: **14 Years**

(21) Appl. No.: **29/431,862**

(22) Filed: **Sep. 11, 2012**

(51) **LOC (9) Cl.** ..... **14-02**

(52) **U.S. Cl.**  
USPC ..... **D14/440**

(58) **Field of Classification Search**  
USPC ..... D14/250, 251, 253, 240, 217, 496,  
D14/440, 203.3, 203.4, 203.5, 203.8, 341,  
D14/318; D3/215, 218, 201, 294, 289, 900;  
220/4.02; 248/309.1; 361/679.56; 397/426,  
397/433.11, 455; 190/100; 206/305, 320;  
455/575.1, 575.8; D21/469  
See application file for complete search history.

(56) **References Cited**

**U.S. PATENT DOCUMENTS**

681,976	A *	9/1901	Rathvon	248/456
1,370,279	A *	3/1921	Burzynski	211/43
2,354,782	A *	8/1944	Stradling et al.	281/16
2,726,835	A *	12/1955	Hummel	248/459
D230,376	S *	2/1974	Andrew	D19/91
4,318,527	A *	3/1982	Smith	248/459
4,703,160	A *	10/1987	Narishima et al.	235/1 D
4,718,550	A *	1/1988	Johnson	206/387.13
D363,511	S *	10/1995	Hui	D21/329
D466,356	S *	12/2002	Marsilio	D6/632
6,493,969	B2 *	12/2002	Devos	40/120
D469,438	S *	1/2003	Corrales	D14/432
D471,008	S *	3/2003	Dubone	D3/247
D478,623	S *	8/2003	Wilburn	D19/26
6,646,672	B2 *	11/2003	Feierbach	348/14.02
D498,753	S *	11/2004	Yamada	D14/328
D532,822	S *	11/2006	White et al.	D19/52
D546,878	S *	7/2007	Bharma	D19/26

7,318,521	B2 *	1/2008	Lau	206/45.24
D581,865	S *	12/2008	Koza	D13/102
D584,314	S *	1/2009	Davis et al.	D14/440
D594,004	S *	6/2009	Takemasa	D14/341
7,542,052	B2 *	6/2009	Solomon et al.	345/659
D609,226	S *	2/2010	Hofer et al.	D14/248
D626,123	S *	10/2010	Peng	D14/324
8,016,107	B2 *	9/2011	Emsky	206/320
D646,266	S *	10/2011	Kim et al.	D14/250
D648,529	S *	11/2011	Brown	D3/269
D654,069	S *	2/2012	Kwon et al.	D14/250
8,132,670	B1 *	3/2012	Chen	206/320
D659,139	S *	5/2012	Gengler	D14/392
D662,100	S *	6/2012	Van Den Nieuwenhuizen et al.	D14/440
D662,503	S *	6/2012	Akana et al.	D14/439
D663,304	S *	7/2012	Akana et al.	D14/440
8,230,992	B2 *	7/2012	Law et al.	206/320
D665,809	S *	8/2012	Wang et al.	D14/439

(Continued)

*Primary Examiner* — Cynthia Underwood  
(74) *Attorney, Agent, or Firm* — Novoclaims Patent Services, LLC; Mei Lin Wong

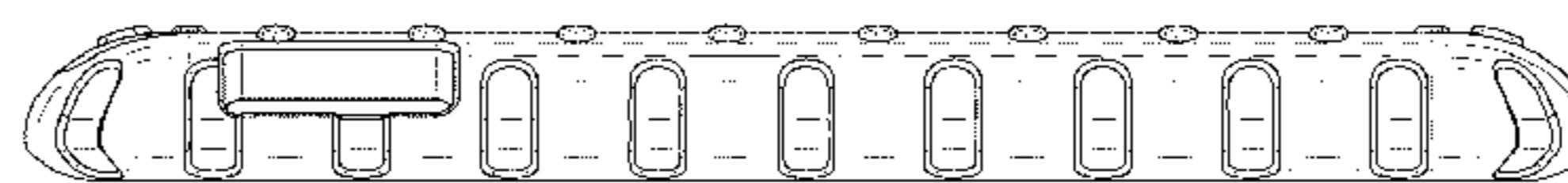
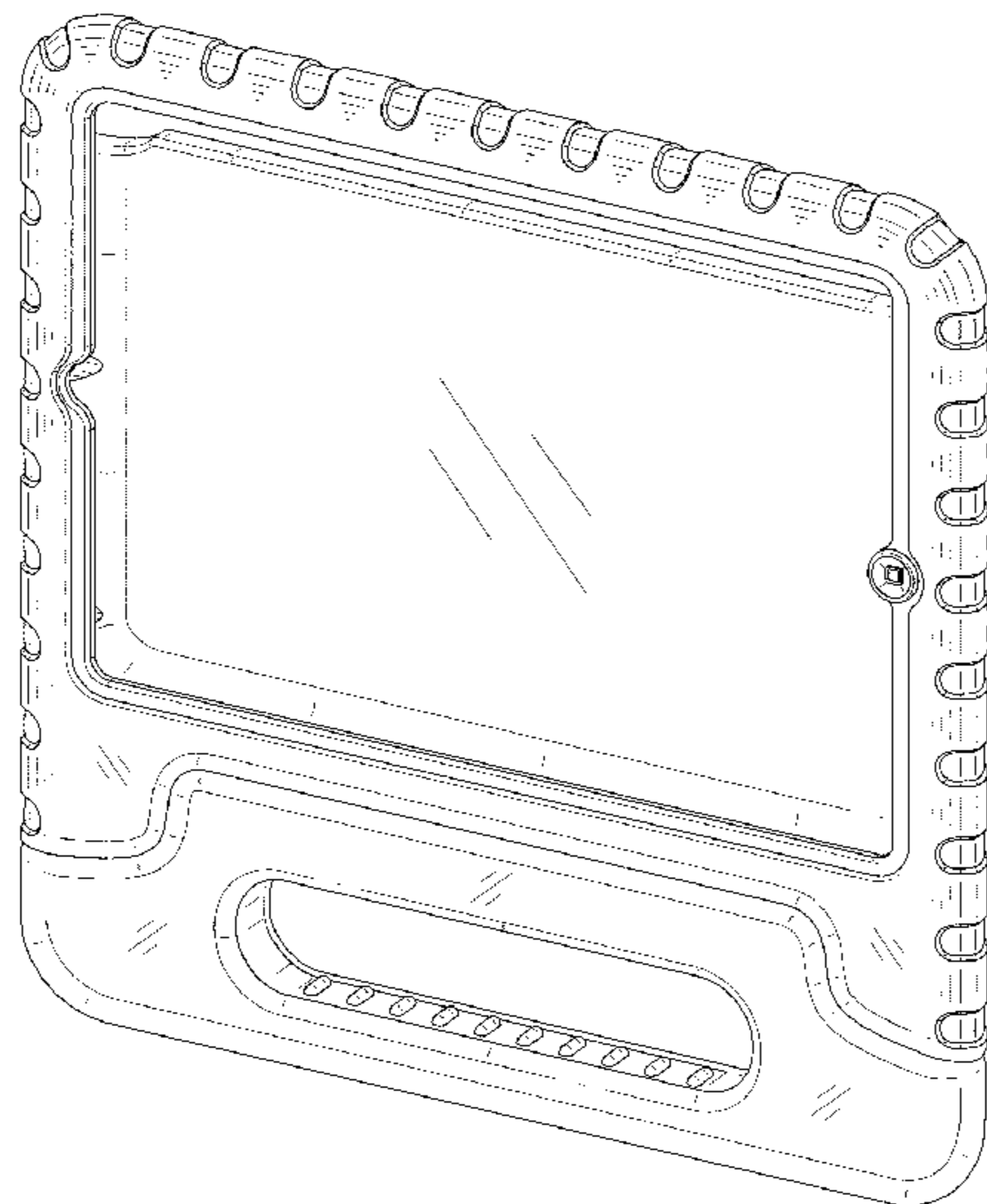
(57) **CLAIM**

The ornamental design for a protective casing for PDA, Tablet PC, IPAD and the like, as shown and described.

**DESCRIPTION**

FIG. 1 is a front perspective view of a protective casing for PDA, Tablet PC, IPAD and the like showing my new design. FIG. 2 is a front view thereof. FIG. 3 rear view thereof. FIG. 4 is a left end view thereof. FIG. 5 is a right end view thereof. FIG. 6 is a top view thereof. FIG. 7 is a bottom view thereof. FIG. 8 is a rear perspective view thereof; and, FIG. 9 is a front perspective view showing a standing position thereof.

**1 Claim, 8 Drawing Sheets**



(56)

**References Cited**

U.S. PATENT DOCUMENTS

8,235,208 B2 \* 8/2012 Sirichai et al. .... 206/320  
8,245,843 B1 \* 8/2012 Wu ..... 206/320  
D669,480 S \* 10/2012 Piedra et al. .... D14/440  
D672,781 S \* 12/2012 Lu ..... D14/440  
D673,158 S \* 12/2012 Yang et al. .... D14/440  
D674,801 S \* 1/2013 Wharram ..... D14/440

D679,279 S \* 4/2013 Yang et al. .... D14/440  
2009/0194209 A1 \* 8/2009 De Filippis et al. .... 150/107  
2010/0289390 A1 \* 11/2010 Kenney ..... 312/223.1  
2012/0043231 A1 \* 2/2012 Perrier et al. .... 206/216  
2012/0170212 A1 \* 7/2012 Gallouzi et al. .... 361/679.56  
2012/0194448 A1 \* 8/2012 Rothkopf ..... 345/173  
2012/0212896 A1 \* 8/2012 Schulz ..... 361/679.02

\* cited by examiner

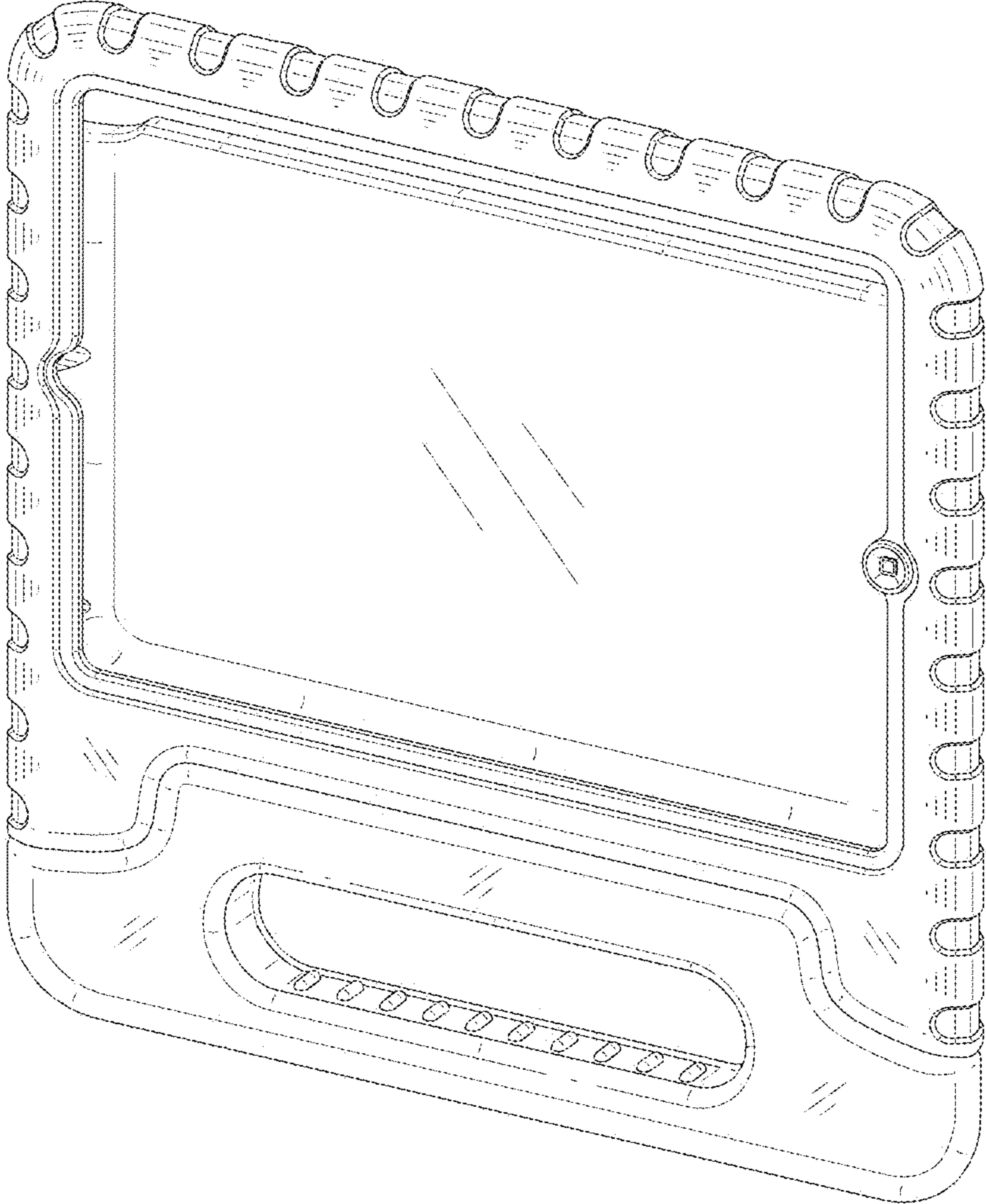


FIG.1

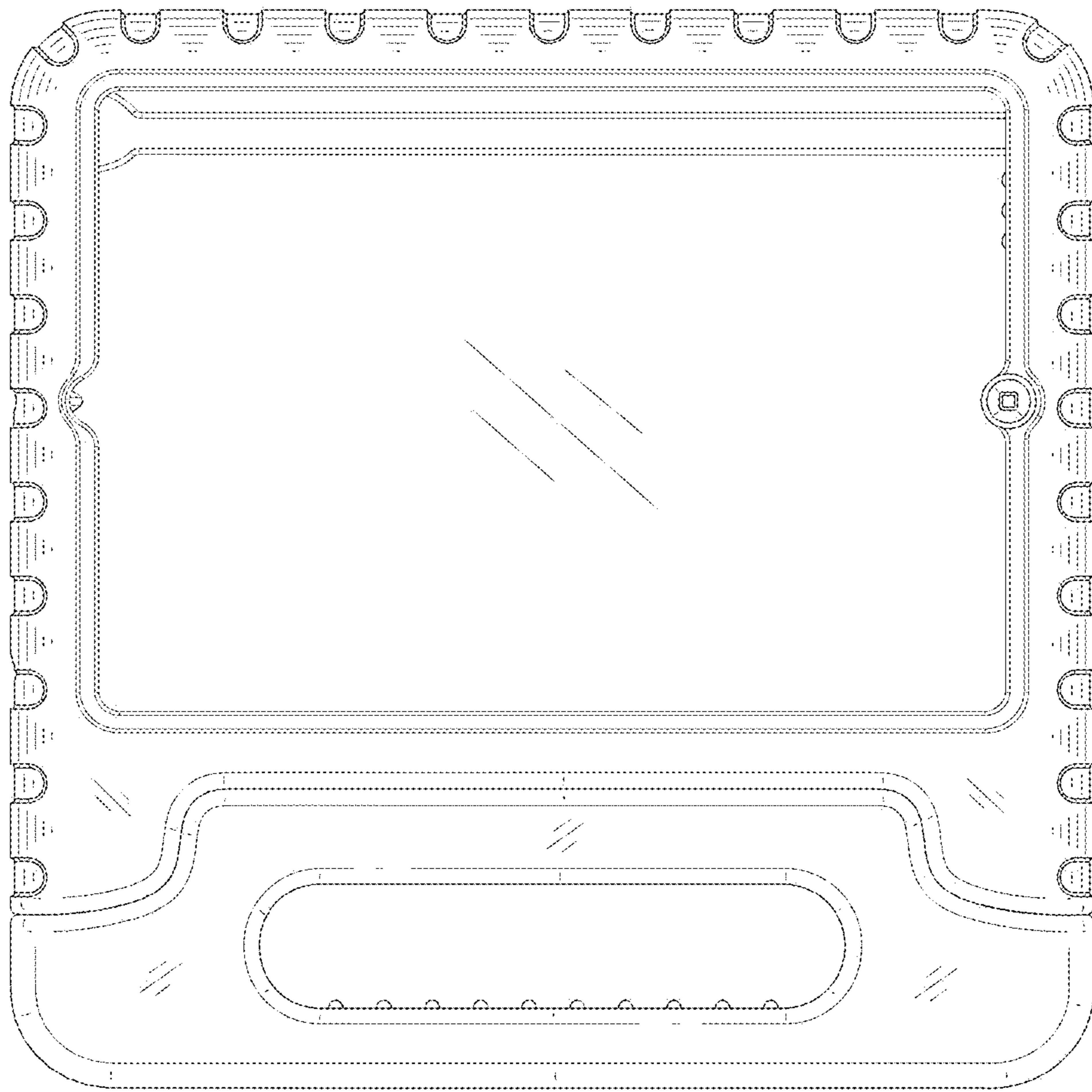


FIG.2

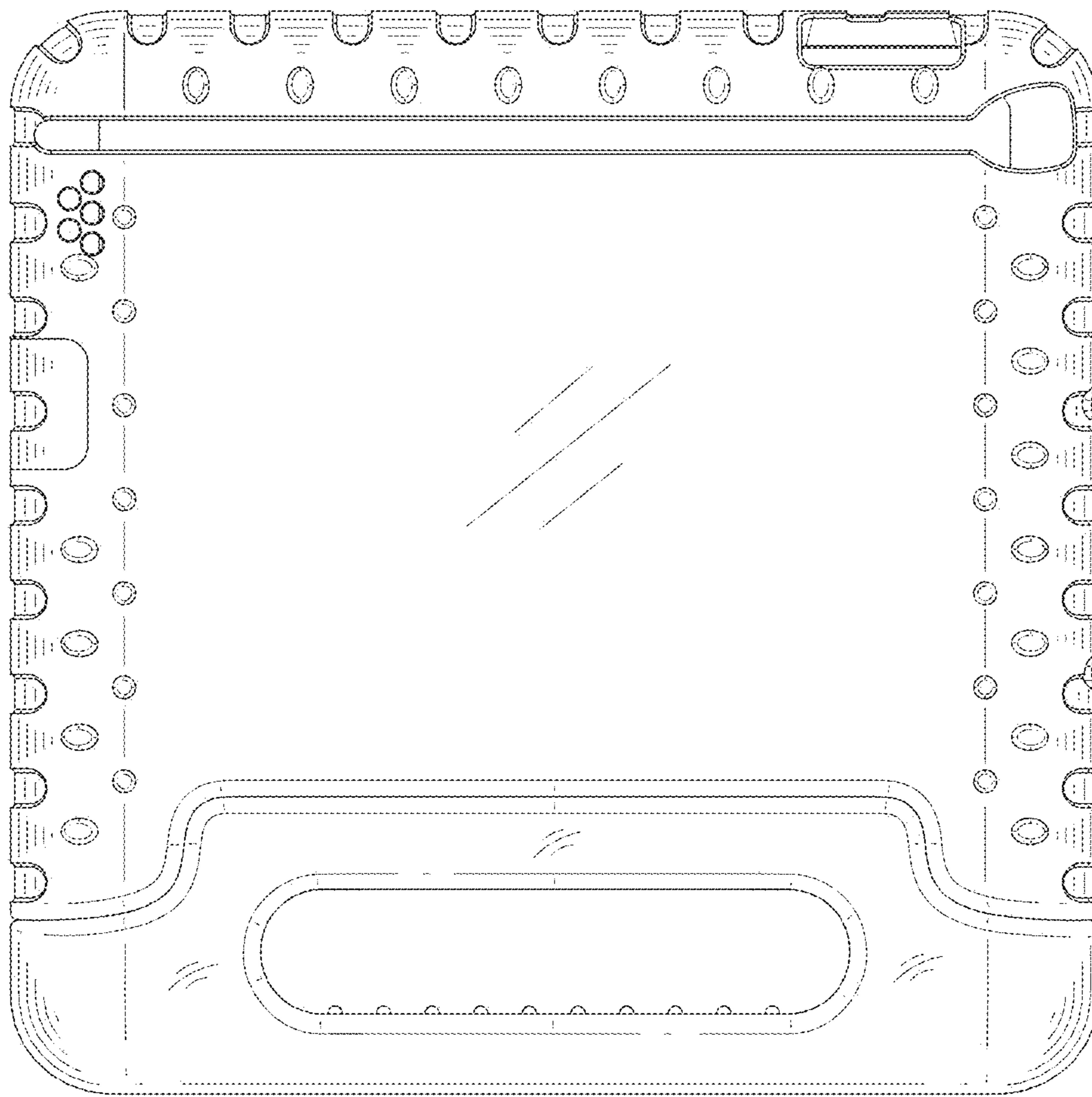


FIG.3

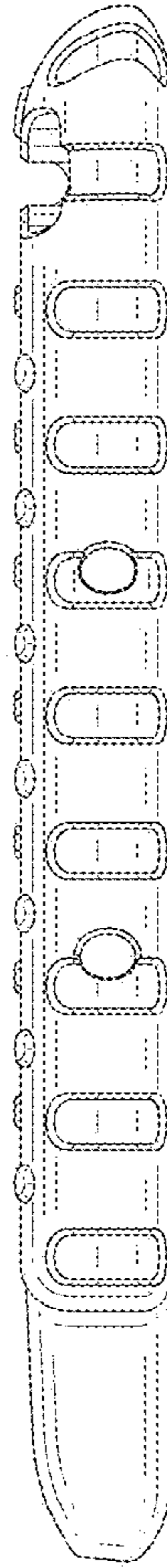


FIG.4

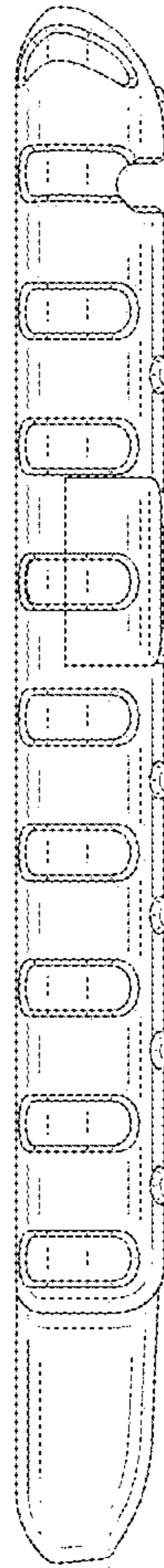


FIG.5

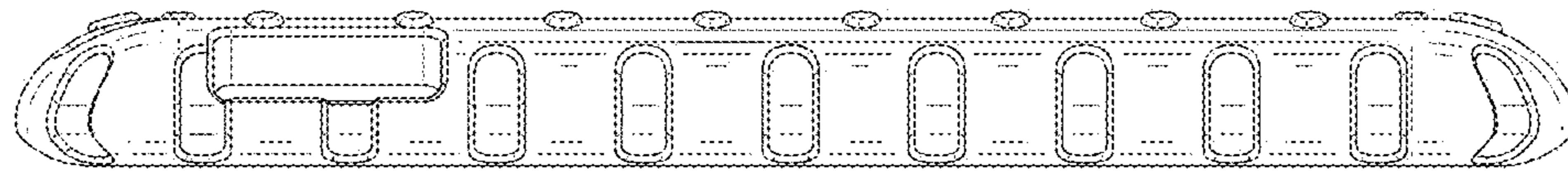


FIG.6

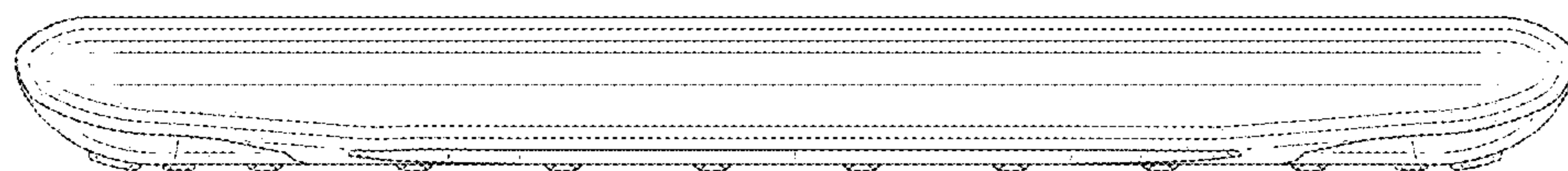


FIG.7



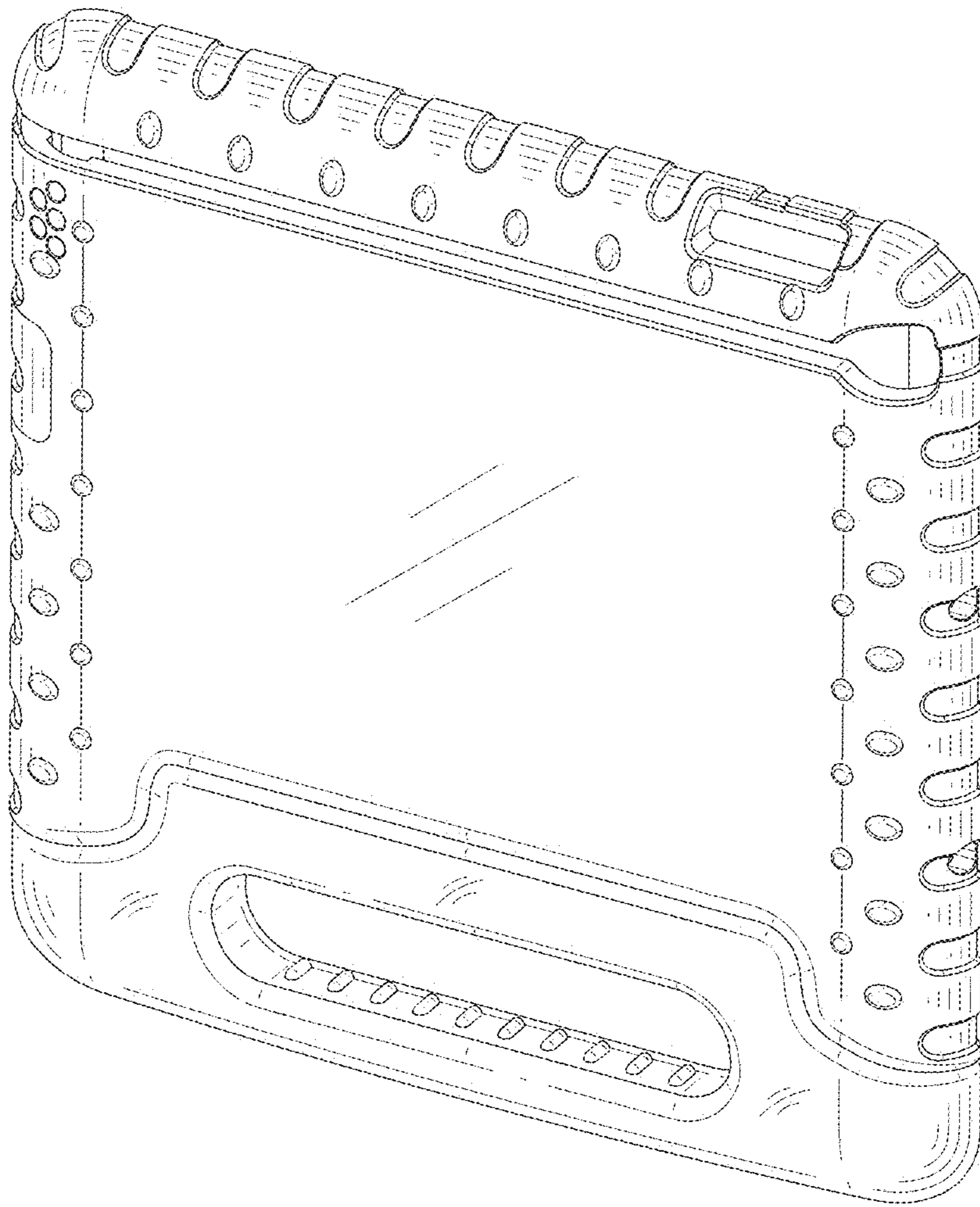


FIG.8

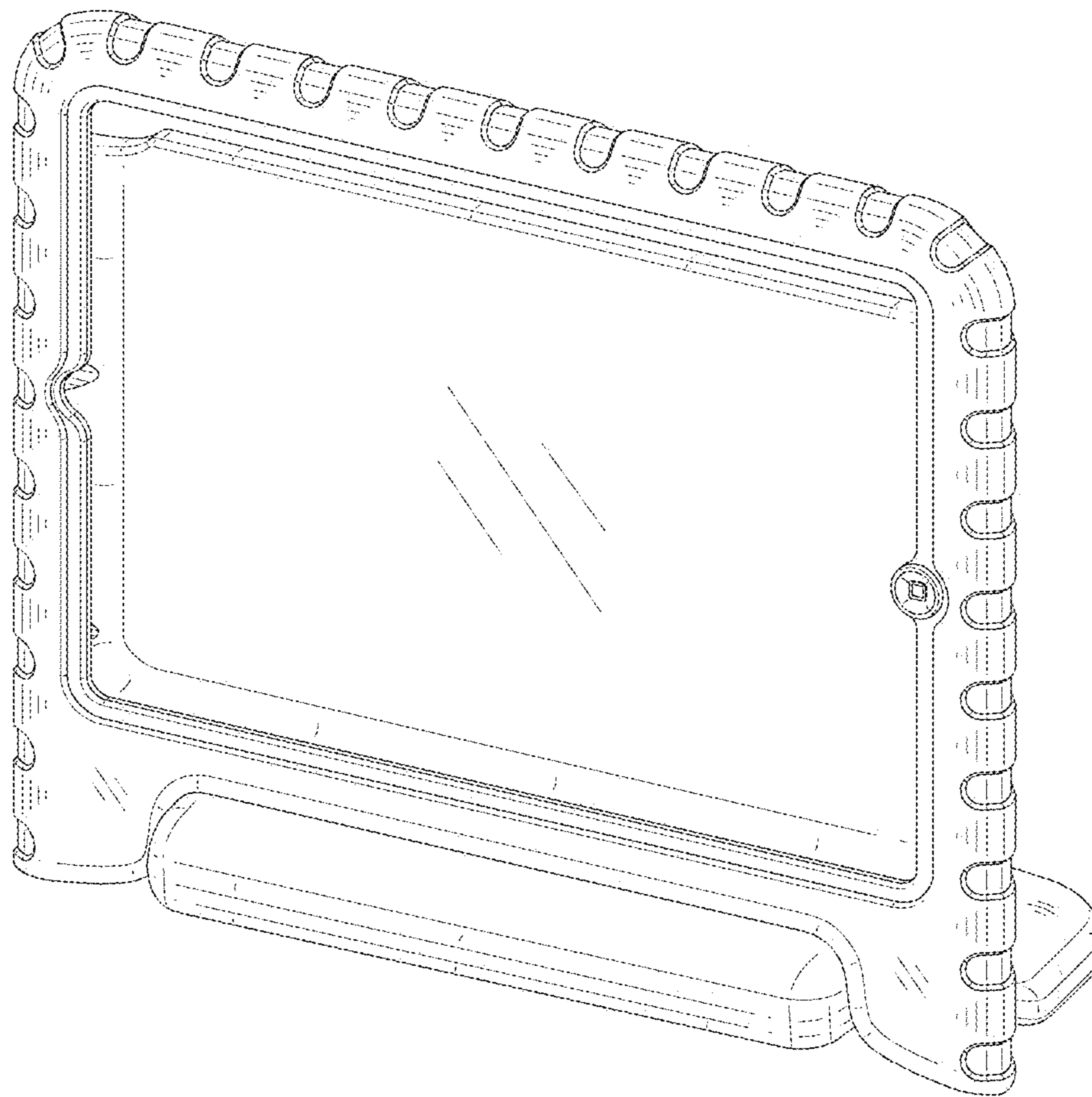


FIG.9