



US00D689055S

(12) **United States Design Patent**
Snyder

(10) **Patent No.:** **US D689,055 S**
(45) **Date of Patent:** **** Sep. 3, 2013**

(54) **MULTI-PANEL CASE FOR A TABLET ELECTRONIC DEVICE**

(75) Inventor: **Thomas M. Snyder**, St. Paul, MN (US)

(73) Assignee: **3M Innovative Properties Company**, St. Paul, MN (US)

(**) Term: **14 Years**

(21) Appl. No.: **29/410,462**

(22) Filed: **Jan. 9, 2012**

(51) **LOC (9) Cl.** **14-02**

(52) **U.S. Cl.**
USPC **D14/440**

(58) **Field of Classification Search**
USPC D14/447, 440, 439, 250, 251, 252,
D14/432; 361/679.56; 220/4.02
See application file for complete search history.

(56) **References Cited**

U.S. PATENT DOCUMENTS

D279,185 S * 6/1985 Felix et al. D14/251
4,621,898 A 11/1986 Cohen

(Continued)

FOREIGN PATENT DOCUMENTS

JP U3084368 12/2001
WO 2010/141345 12/2010

(Continued)

OTHER PUBLICATIONS

Exhibit A1, Case Photograph, commercially available prior to the filing date of this application.

(Continued)

Primary Examiner — Cynthia Underwood

(74) *Attorney, Agent, or Firm* — Carolyn A. Fischer

(57) **CLAIM**

The ornamental design for a multi-panel case for a tablet electronic device, as shown and described.

DESCRIPTION

FIG. 1 is a perspective view of an exemplary embodiment showing the new design for a multi-panel case for a tablet electronic device;

FIG. 2 is a plan view of a front surface of the multi-panel case for a tablet electronic device of FIG. 1;

FIG. 3 is a plan view of a back surface of the multi-panel case for a tablet electronic device of FIG. 1;

FIG. 4 is a plan view of a left-side edge of the multi-panel case for a tablet electronic device of FIG. 1;

FIG. 5 is a plan view of a right-edge of the multi-panel case for a tablet electronic device of FIG. 1;

FIG. 6 is a top plan view of a multi-panel case for a tablet electronic device of FIG. 1, the bottom being identical;

FIG. 7 is a perspective view of case for a tablet electronic device of FIG. 1 shown in an open position of use;

FIG. 8 is a perspective view of a multi-panel case for a tablet electronic device of FIG. 1 shown in an open position of use, having a frame depicted by broken lines;

FIG. 9 is a perspective view of a multi-panel case for a tablet electronic device of FIG. 1 shown in an open position of use, having corner pockets depicted by broken lines;

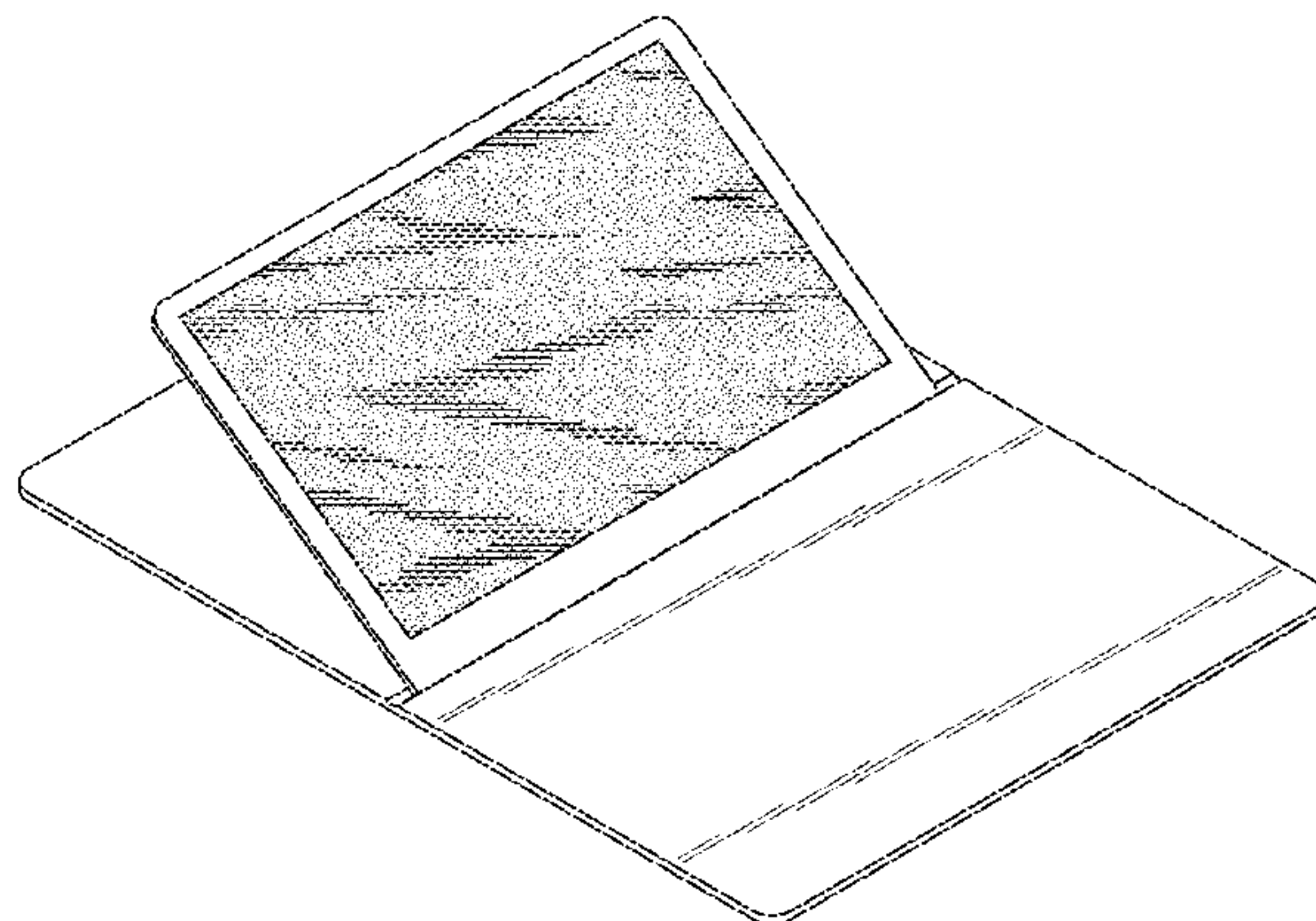
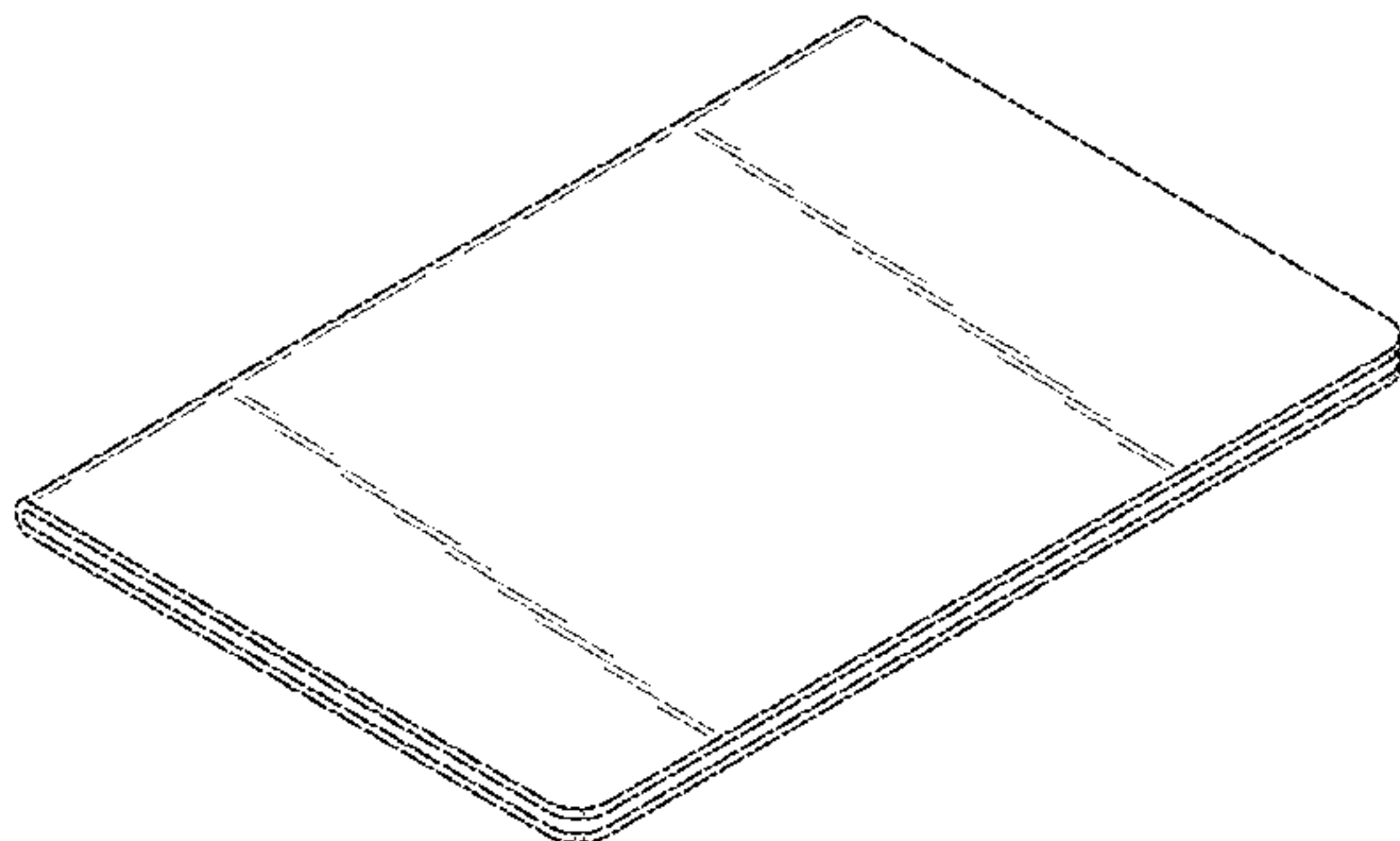
FIG. 10 is a perspective view of a foldable case for a tablet electronic device of FIG. 1 shown in an open position of use, wherein the inside panel has an opening depicted by broken lines; and,

FIG. 11 is a back plan view of a foldable case for a tablet electronic device of FIG. 1 shown in an open position of use, having an opening depicted by broken lines.

The broken lines are included for illustrative purposes only and form no part of the claim.

The front and opposing inside surface of the case is stippled to represent a light-transmissive material such as a film that optionally is dark in color.

1 Claim, 5 Drawing Sheets



(56)

References Cited

U.S. PATENT DOCUMENTS

5,002,184 A 3/1991 Lloyd
 5,204,160 A 4/1993 Rouser
 5,481,430 A 1/1996 Miyagawa
 5,555,363 A 9/1996 Tou
 5,564,930 A 10/1996 Yu
 5,594,619 A 1/1997 Miyagawa
 5,820,957 A 10/1998 Schroeder
 5,847,698 A * 12/1998 Reavey et al. 345/173
 D426,262 S * 6/2000 Humphrey D19/26
 D428,004 S * 7/2000 Colvin D14/345
 6,282,082 B1 8/2001 Armitage
 6,356,400 B1 3/2002 Goff
 6,356,440 B2 3/2002 Selker
 6,398,370 B1 6/2002 Chiu
 6,646,864 B2 11/2003 Richardson
 6,646,866 B2 11/2003 Kao
 6,778,240 B2 8/2004 Nakamura
 6,871,739 B2 3/2005 Lopez
 6,995,976 B2 2/2006 Richardson
 D517,545 S * 3/2006 Buckel et al. D14/345
 7,158,376 B2 1/2007 Richardson
 7,230,823 B2 6/2007 Richardson
 7,281,698 B2 10/2007 Patterson, Jr.
 7,312,984 B2 12/2007 Richardson
 7,414,833 B2 8/2008 Kittayapong
 D579,975 S * 11/2008 Brown D19/26
 7,522,410 B2 4/2009 Pichahchi
 7,561,415 B2 * 7/2009 Liou et al. 361/679.26
 7,663,879 B2 2/2010 Richardson
 D621,839 S * 8/2010 Sweet D14/434
 7,907,394 B2 3/2011 Richardson
 7,933,122 B2 4/2011 Richardson
 D639,806 S * 6/2011 Lee et al. D14/345
 8,012,567 B2 9/2011 Gaides
 D647,526 S 10/2011 Vandiver
 D658,173 S * 4/2012 Kim D14/345
 D664,528 S * 7/2012 Chen et al. D14/253
 D664,538 S * 7/2012 Ryu et al. D14/327
 D666,804 S * 9/2012 Rogers D3/201
 D674,393 S * 1/2013 Behar et al. D14/440
 D674,799 S * 1/2013 Kim D14/440
 D676,051 S * 2/2013 Fuchs D14/440
 D680,120 S * 4/2013 Cho D14/440
 D681,041 S * 4/2013 Phillips et al. D14/440
 2003/0150756 A1 * 8/2003 Kajiya 206/320
 2007/0286994 A1 12/2007 Walker
 2010/0048267 A1 2/2010 Lin

2010/0110629 A1 * 5/2010 Dietz et al. 361/679.55
 2010/0201242 A1 8/2010 Liu
 2010/0232021 A1 9/2010 Walker, Jr.
 2012/0074271 A1 * 3/2012 Goetz 248/121

FOREIGN PATENT DOCUMENTS

WO 2010/148082 12/2010
 WO 2011/140018 11/2011

OTHER PUBLICATIONS

Exhibit A2, Case Photograph, commercially available prior to the filing date of this application.
 "iPhone 4S Defender Series Case", [Retrieved from the internet Jan. 11, 2012], <<http://www.otterbox.com/iPhone-4S-Defender-Series-Case/APL2-I4SUN,default,pd.html>>, 2 pages.
 "Drop Tech Series for the Apple iPad 2", [Retrieved from the internet Jan. 11, 2012], <<http://www.gumdropcases.com/drop-series-ipad-2-case.html>>, 2 pages.
 "3M™ PF322 W Framed Lightweight Widescreen Desktop Privacy Filer", [Retrieved from the internet Jan. 4, 2012], <[http://solutions.3m.com/wps/portal/3M/en_US/Health/Safety/Products/Related/?PC_7_RJH...> 3 pages.
 "Belkin F8Z504tt064 Ipod Lillian Classic Dual-Fit Armband \(Caviar\)", \[Retrieved from the internet Dec. 19, 2011\], <\[http://www.amazon.com/Belkin-F8Z504tt064-Lillian-Classic-Dual-Fit/dp/B002S007LI/r...>, 1 page.
 "igadgitz Water Resistant Neoprene Sports Gym Jogging Armband for Apple iPod Classic 80gb, 120gb & 160gb" \\[Retrieved from the internet Dec. 19, 2011\\], <\\[http://www.amazon.com/igadgitz-Resistant-Neoprene-Jogging-Armband/dp/B000WBDD...>, 1 page.
 "SportCase Sport-Ready Neoprene Case for iPod Classic 80GB, 160GB, and iPod Video 5th Generation, with adjustable armband, PN008-1003, by Philips-DLO", \\\[Retrieved from the internet Dec. 19, 2011\\\], <\\\[http://www.amazon.com/Sport-Ready-Generation-adjustable-PN008-1003-Philips-DLO/...>, 1 page.
 TKO Solutions, The X-Band, Introducing X-Band "Hands-Free" technology, \\\\[printed from the internet on Apr. 11, 2012\\\\], <\\\\[http://tko-solutions.com/cowbell/index.php?p=p.&page_id=about_us\\\\]\\\\(http://tko-solutions.com/cowbell/index.php?p=p.&page_id=about_us\\\\)>, 1 page.
 TKO Solutions, The X-Band 2, \\\\[printed from the internet Apr. 11, 2012\\\\] <<http://tko-solutions.com/cowbell/index.php?p=catalog&parent=2&pg=1>>, 2 pgs.
 Kantek, IView® Privacy Filter for Apple® iPad® \\\\[printed from the internet on Apr. 11, 2012\\\\] <<http://www.kantek.com/proddetail.php?PID=SVT4723>>, 1 page.\\\]\\\(http://www.amazon.com/Sport-Ready-Generation-adjustable-PN008-1003-Philips-DLO/\\\)\\]\\(http://www.amazon.com/igadgitz-Resistant-Neoprene-Jogging-Armband/dp/B000WBDD...\\)\]\(http://www.amazon.com/Belkin-F8Z504tt064-Lillian-Classic-Dual-Fit/dp/B002S007LI/r...\)](http://solutions.3m.com/wps/portal/3M/en_US/Health/Safety/Products/Related/?PC_7_RJH...)

* cited by examiner

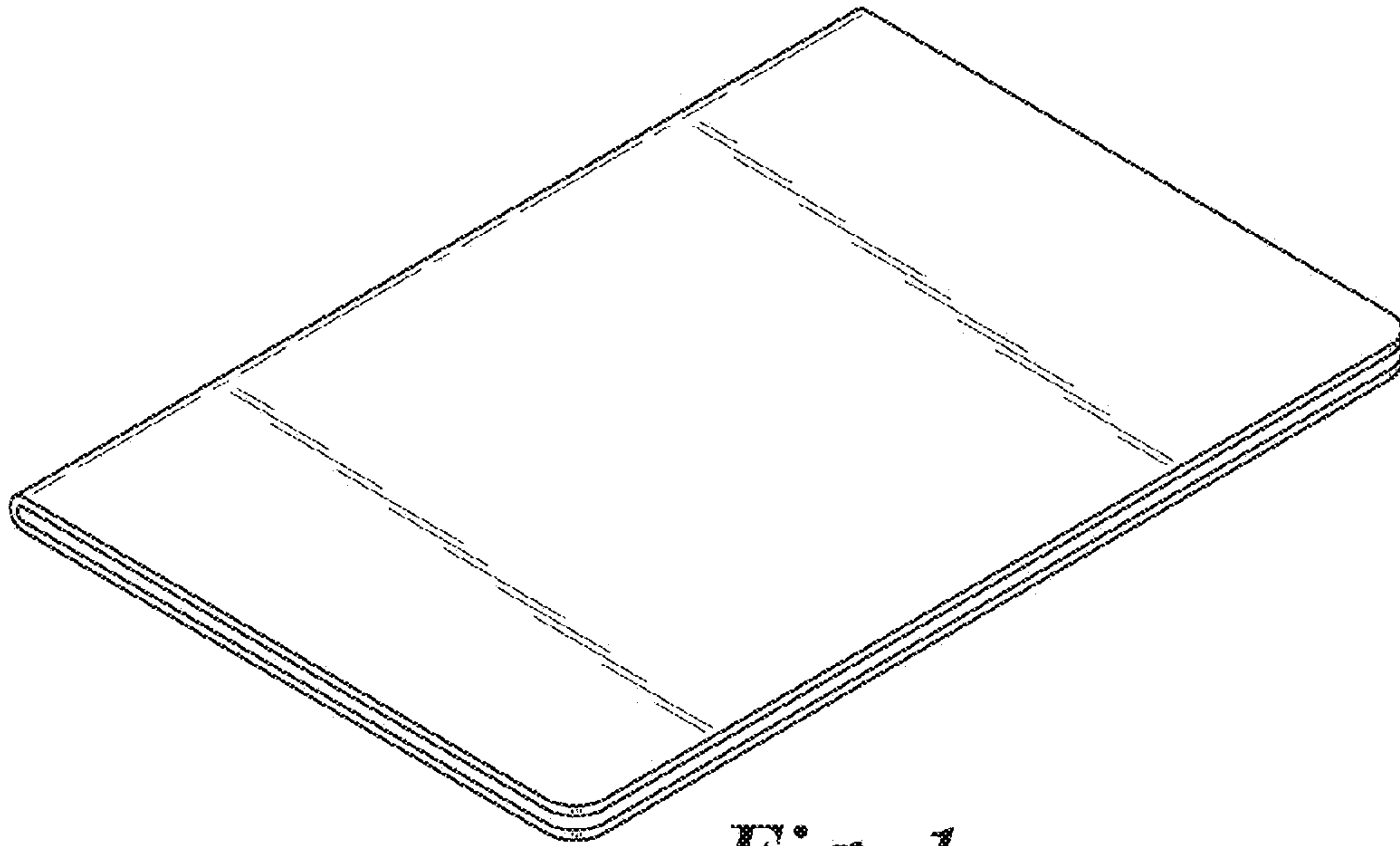


Fig. 1

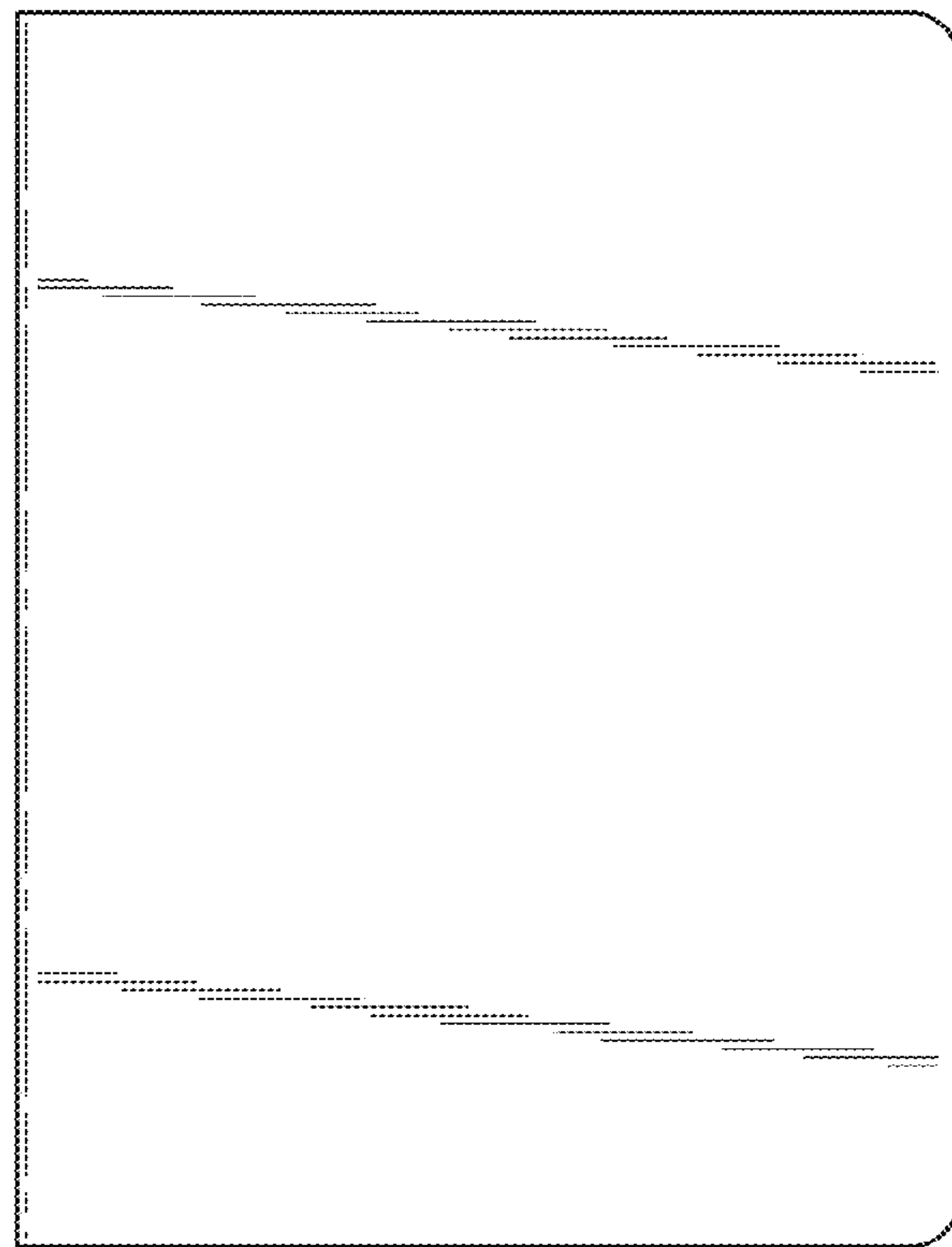


Fig. 2

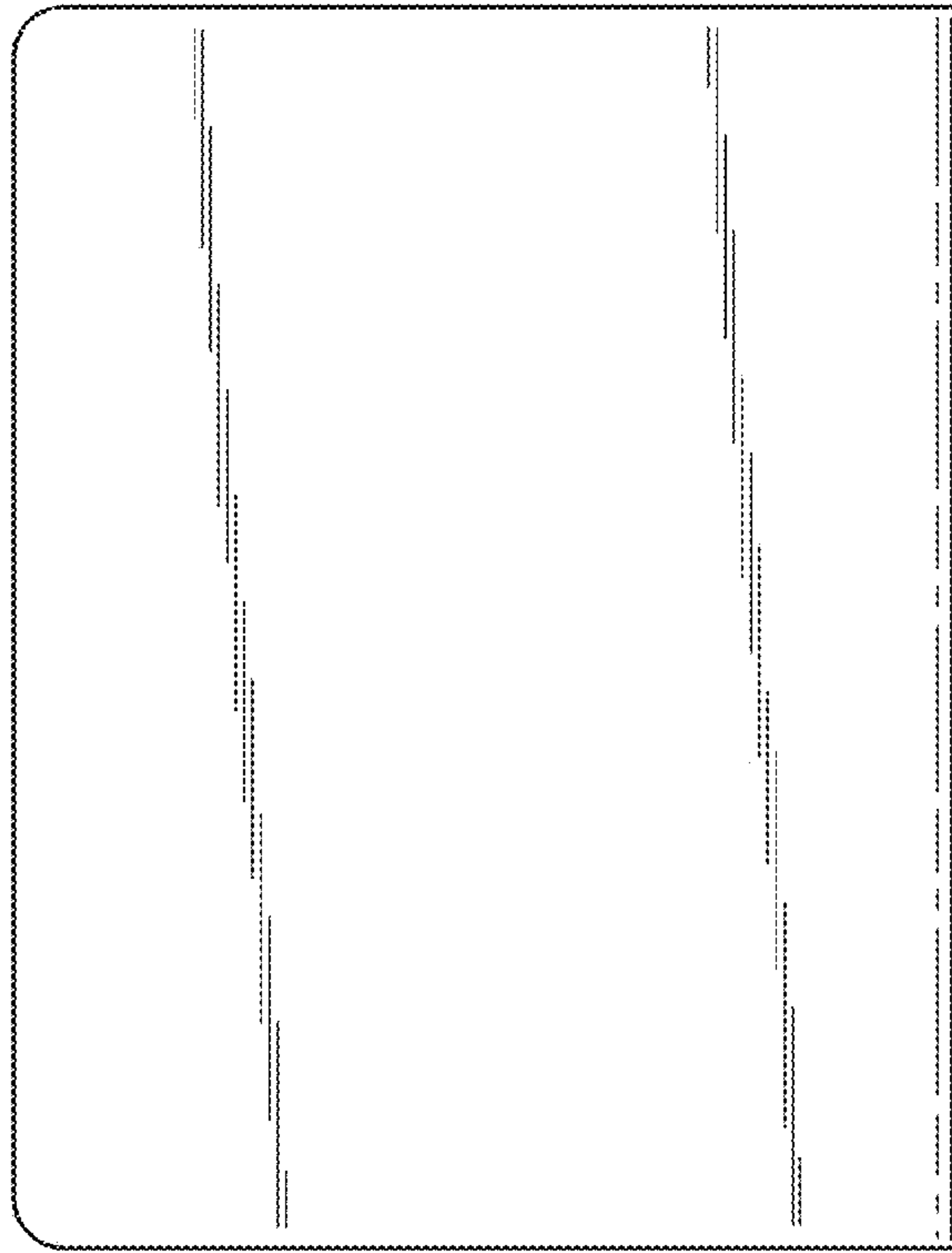


Fig. 3



Fig. 4



Fig. 5



Fig. 6

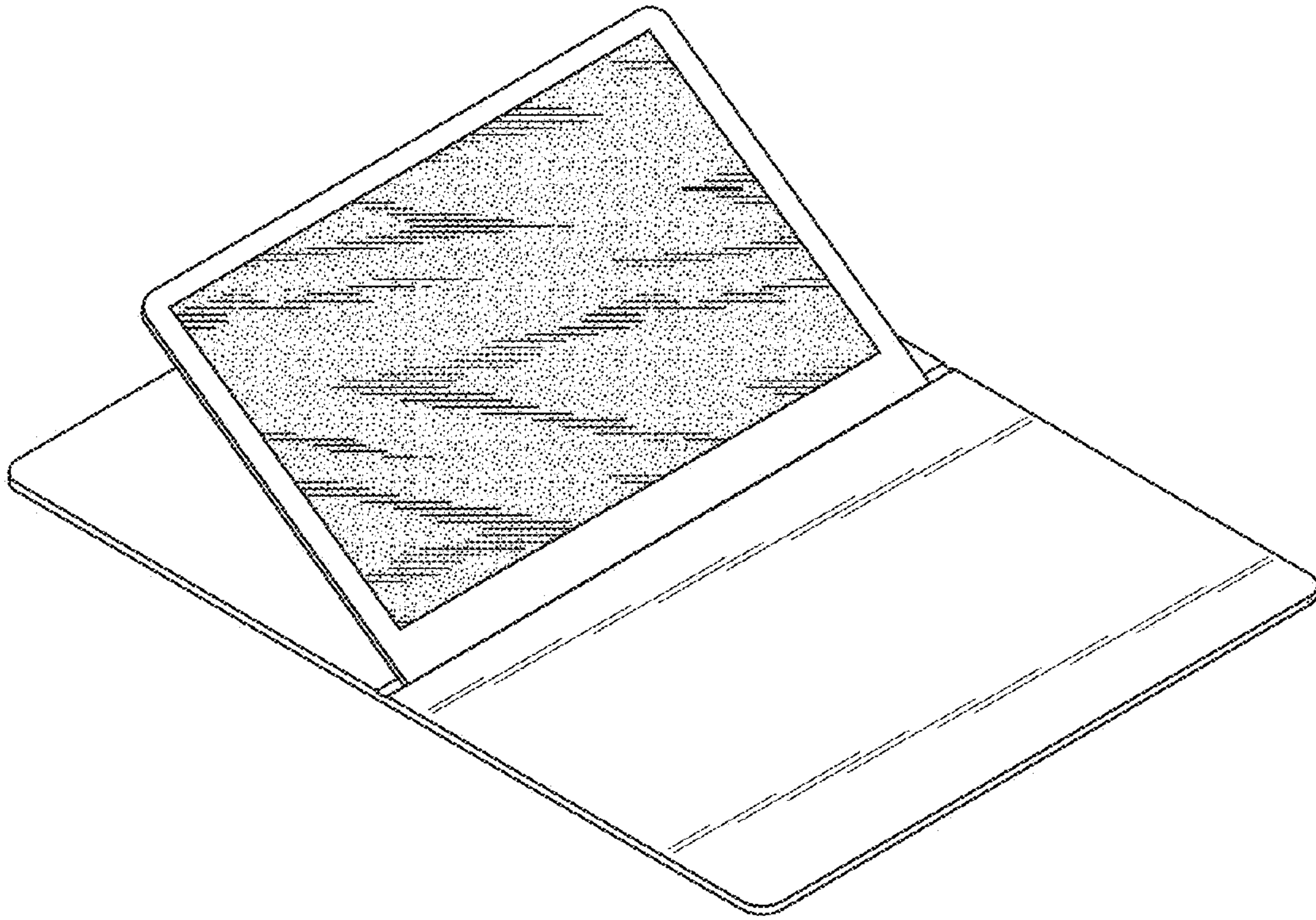


Fig. 7

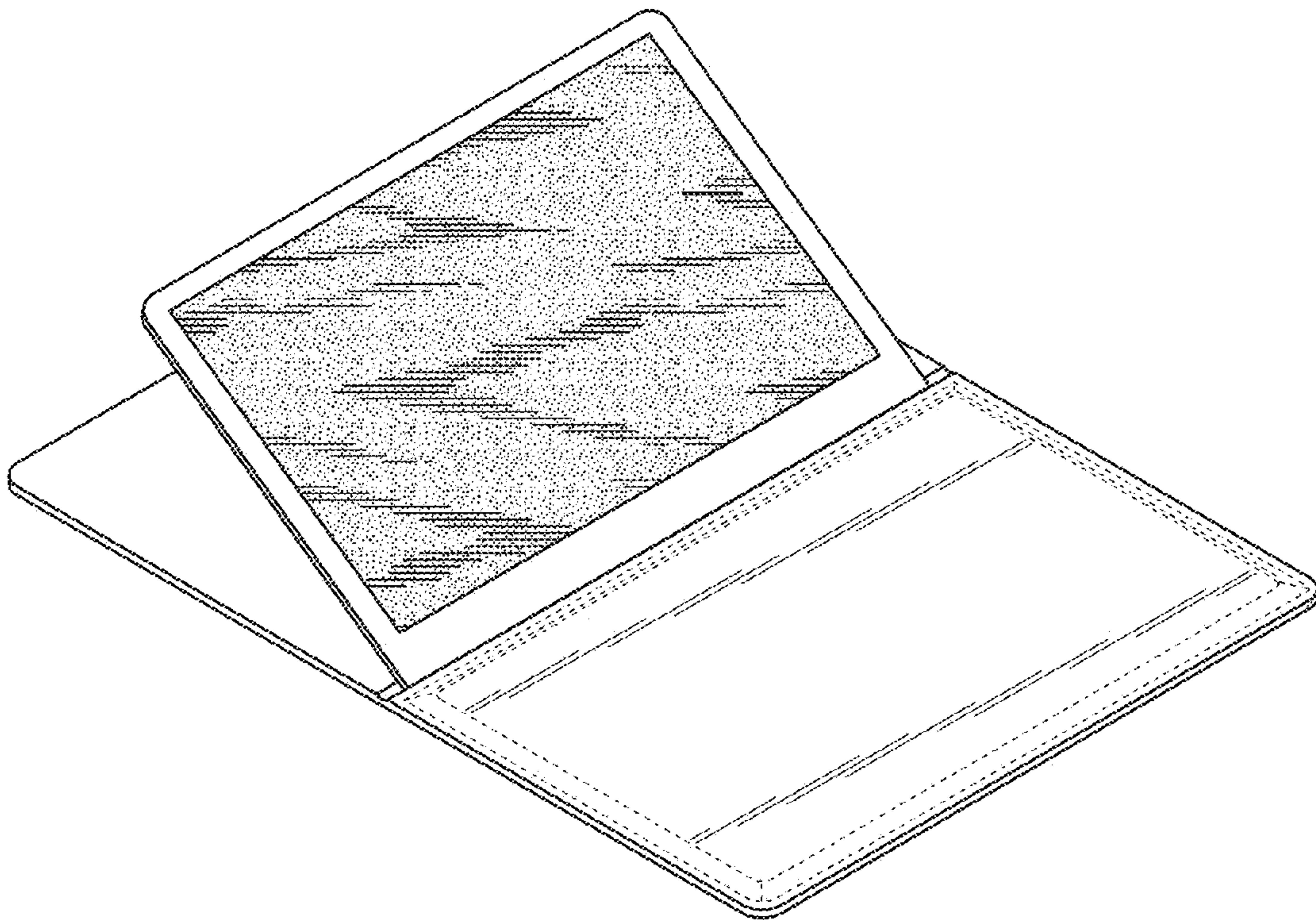


Fig. 8

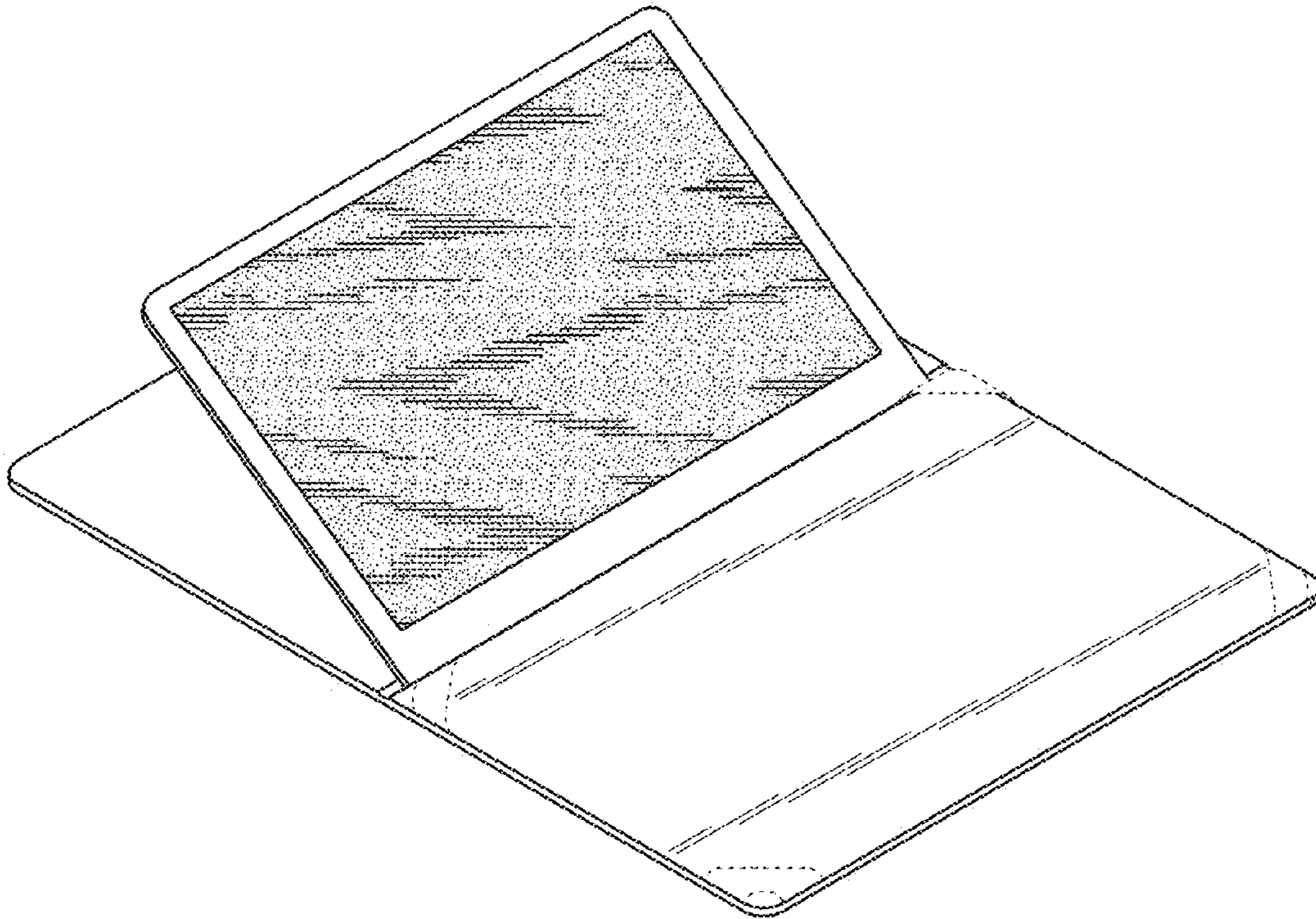


Fig. 9

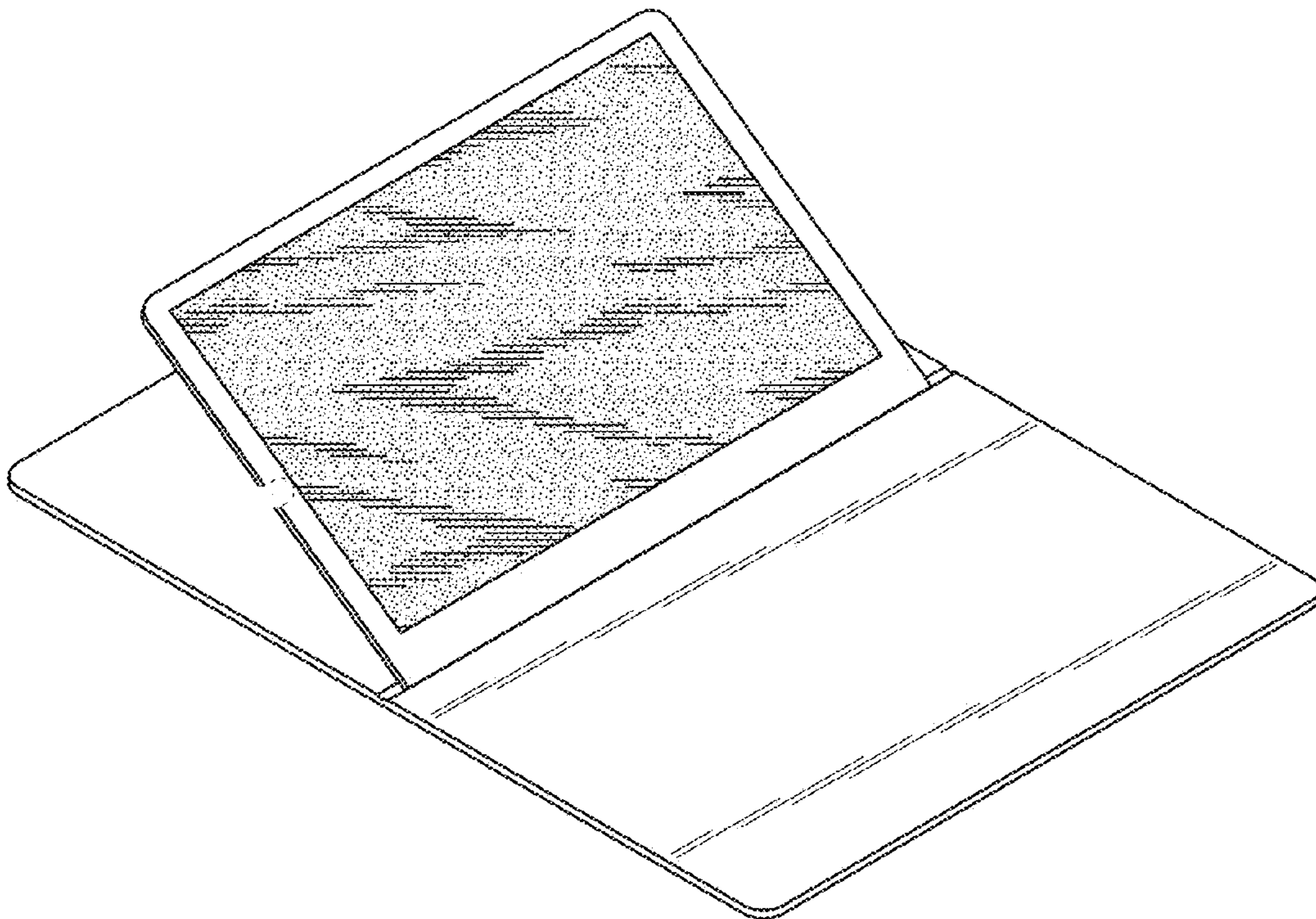


Fig. 10

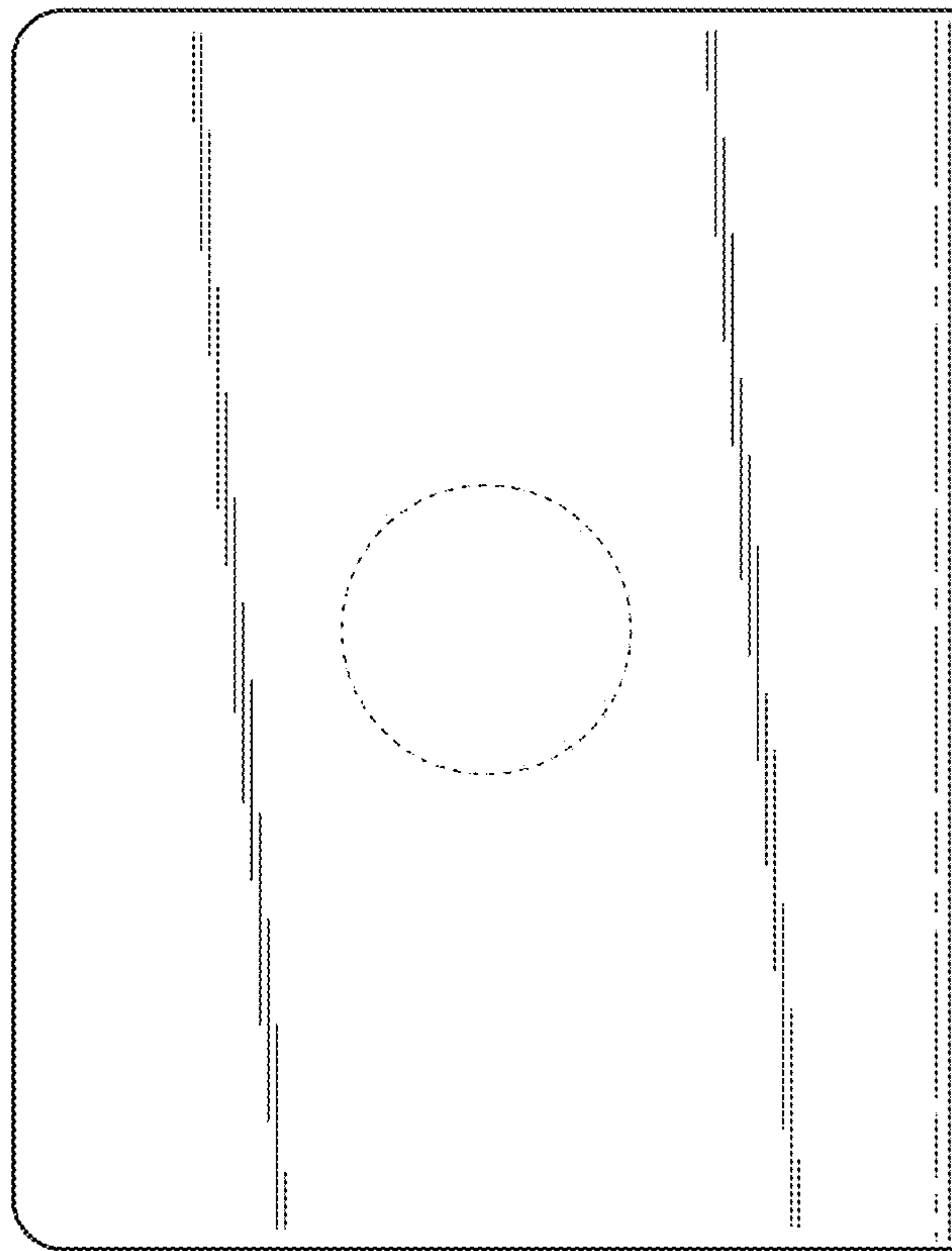


Fig. 11