



US00D689054S

(12) **United States Design Patent**  
**Snyder**

(10) **Patent No.:** **US D689,054 S**  
(45) **Date of Patent:** **\*\* Sep. 3, 2013**

(54) **FOLDABLE CASE FOR A TABLET ELECTRONIC DEVICE**

(75) Inventor: **Thomas M. Snyder**, St. Paul, MN (US)

(73) Assignee: **3M Innovative Properties Company**, St. Paul, MN (US)

(\*\*) Term: **14 Years**

(21) Appl. No.: **29/410,461**

(22) Filed: **Jan. 9, 2012**

(51) **LOC (9) Cl.** ..... **14-02**

(52) **U.S. Cl.**  
USPC ..... **D14/440**

(58) **Field of Classification Search**  
USPC ..... D14/447, 440, 439, 250, 251, 252, D14/432; 361/679.56; 220/4.02  
See application file for complete search history.

(56) **References Cited**

**U.S. PATENT DOCUMENTS**

D279,185 S \* 6/1985 Felix et al. .... D14/251  
4,621,898 A 11/1986 Cohen

(Continued)

**FOREIGN PATENT DOCUMENTS**

JP U3084368 12/2001  
WO 2010/141345 12/2010

(Continued)

**OTHER PUBLICATIONS**

Exhibit A1, Case Photograph, commercially available prior to the filing date of this application.

(Continued)

*Primary Examiner* — Cynthia Underwood

(74) *Attorney, Agent, or Firm* — Carolyn A. Fischer

(57) **CLAIM**

The ornamental design for a foldable case for a tablet electronic device, as shown and described.

**DESCRIPTION**

FIG. 1 is a perspective view of an exemplary embodiment showing the new design for a foldable case for a tablet electronic device;

FIG. 2 is a plan view of a front surface of the foldable case for a tablet electronic device of FIG. 1;

FIG. 3 is a plan view of a back surface of the foldable case for a tablet electronic device of FIG. 1;

FIG. 4 is a plan view of a left-side edge of the foldable case for a tablet electronic device of FIG. 1;

FIG. 5 is a plan view of a right-edge of the foldable case for a tablet electronic device of FIG. 1;

FIG. 6 is a top plan view of the foldable case for a tablet electronic device of FIG. 1, the bottom being identical;

FIG. 7 is a perspective view of a foldable case for a tablet electronic device of FIG. 1 shown in an open position of use;

FIG. 8 is a perspective view of a foldable case for a tablet electronic device of FIG. 1 shown in an open position of use, having a frame depicted by broken lines;

FIG. 9 is a perspective view of a foldable case for a tablet electronic device of FIG. 1 shown in an open position of use, having corner pockets depicted by broken lines;

FIG. 10 is a perspective view of a foldable case for a tablet electronic device of FIG. 1 shown in an open position of use, having an opening from the front surface to the inside surface depicted by broken lines;

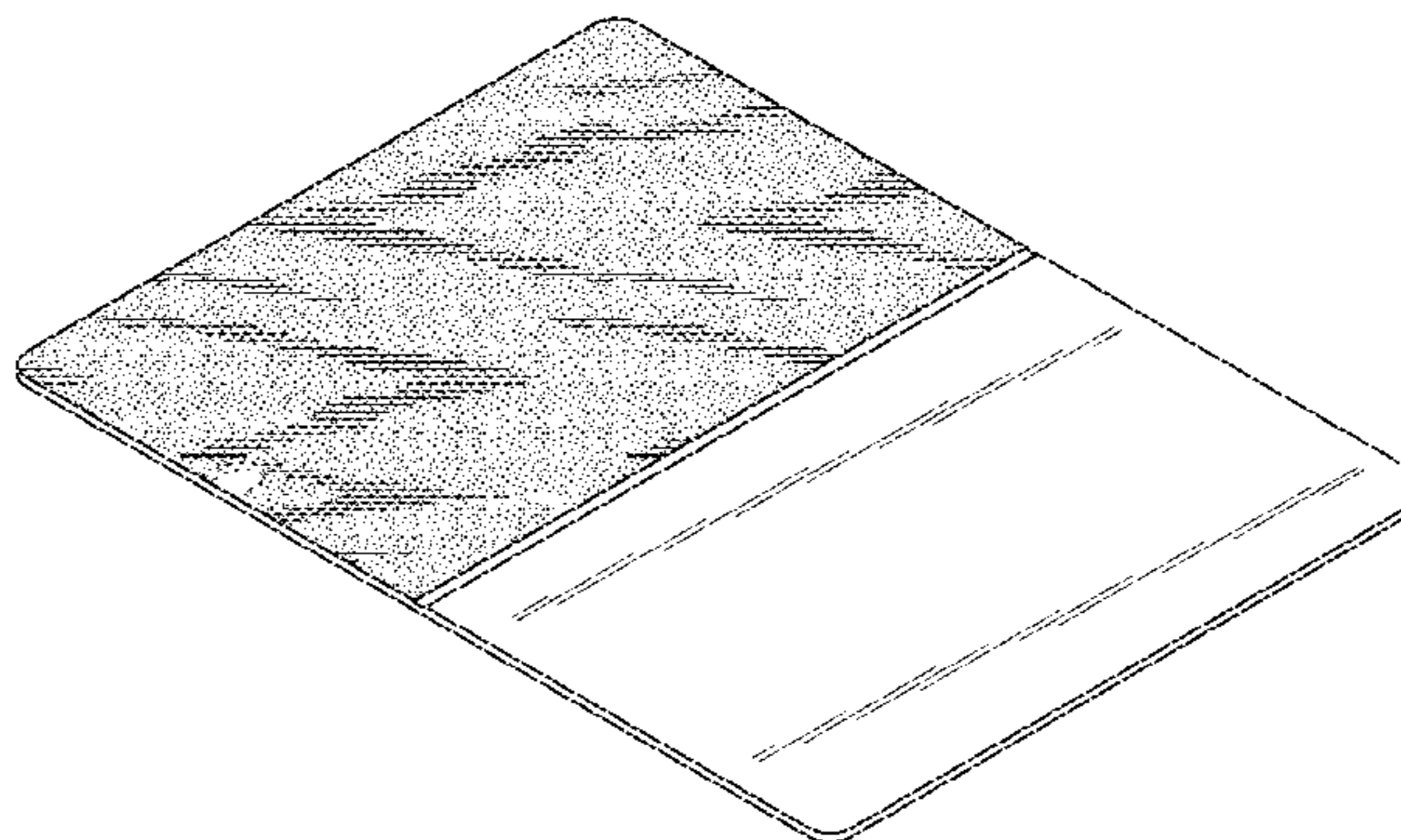
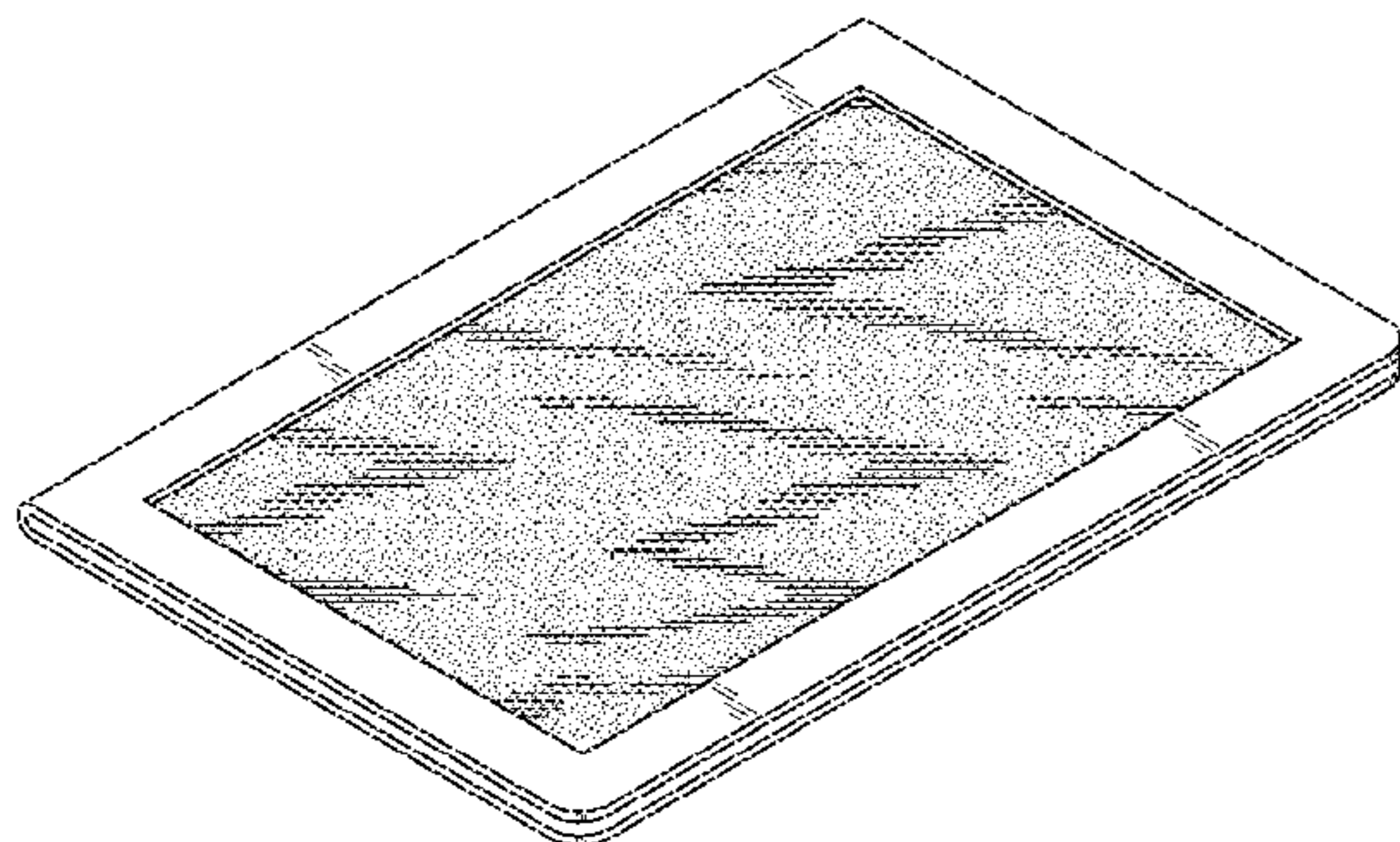
FIG. 11 is a perspective view of a foldable case for a tablet electronic device of FIG. 1 shown in an open position of use, having a frame depicted by broken lines; and,

FIG. 12 is a perspective view of a foldable case for a tablet electronic device of FIG. 1 shown in an open position of use, having an opening in the back depicted by broken lines.

The broken lines are included for illustrative purposes only and form no part of the claim.

The front and opposing inside surface of the case is stippled to represent a dark colored light-transmissive material such as a film.

**1 Claim, 5 Drawing Sheets**



(56)

References Cited

U.S. PATENT DOCUMENTS

5,002,184 A 3/1991 Lloyd  
 5,204,160 A 4/1993 Rouser  
 5,481,430 A 1/1996 Miyagawa  
 5,555,363 A 9/1996 Tou  
 5,564,930 A 10/1996 Yu  
 5,594,619 A 1/1997 Miyagawa  
 5,820,957 A 10/1998 Schroeder  
 5,847,698 A \* 12/1998 Reavey et al. .... 345/173  
 D426,262 S \* 6/2000 Humphrey ..... D19/26  
 D428,004 S \* 7/2000 Colvin ..... D14/345  
 6,282,082 B1 8/2001 Armitage  
 6,356,400 B1 3/2002 Goff  
 6,356,440 B2 3/2002 Selker  
 6,398,370 B1 6/2002 Chiu  
 6,646,864 B2 11/2003 Richardson  
 6,646,866 B2 11/2003 Kao  
 6,778,240 B2 8/2004 Nakamura  
 6,871,739 B2 3/2005 Lopez  
 6,995,976 B2 2/2006 Richardson  
 D517,545 S \* 3/2006 Buckel et al. .... D14/345  
 7,158,376 B2 1/2007 Richardson  
 7,230,823 B2 6/2007 Richardson  
 7,281,698 B2 10/2007 Patterson, Jr.  
 7,312,984 B2 12/2007 Richardson  
 7,414,833 B2 8/2008 Kittayapong  
 D579,975 S \* 11/2008 Brown ..... D19/26  
 7,522,410 B2 4/2009 Pichahchi  
 7,561,415 B2 \* 7/2009 Liou et al. .... 361/679.26  
 7,663,879 B2 2/2010 Richardson  
 D621,839 S \* 8/2010 Sweet ..... D14/434  
 7,907,394 B2 3/2011 Richardson  
 7,933,122 B2 4/2011 Richardson  
 D639,806 S \* 6/2011 Lee et al. .... D14/345  
 8,012,567 B2 9/2011 Gaides  
 D647,526 S 10/2011 Vandiver  
 D658,173 S \* 4/2012 Kim ..... D14/345  
 D664,528 S \* 7/2012 Chen et al. .... D14/253  
 D664,538 S \* 7/2012 Ryu et al. .... D14/327  
 D666,804 S \* 9/2012 Rogers ..... D3/201  
 D674,393 S \* 1/2013 Behar et al. .... D14/440  
 D674,799 S \* 1/2013 Kim ..... D14/440  
 D676,051 S \* 2/2013 Fuchs ..... D14/440

D680,120 S \* 4/2013 Cho ..... D14/440  
 D681,041 S \* 4/2013 Phillips ..... D14/440  
 2003/0150756 A1 \* 8/2003 Kajiya ..... 206/320  
 2007/0286994 A1 12/2007 Walker  
 2010/0048267 A1 2/2010 Lin  
 2010/0110629 A1 \* 5/2010 Dietz et al. .... 361/679.55  
 2010/0201242 A1 8/2010 Liu  
 2010/0232021 A1 9/2010 Walker, Jr.  
 2012/0074271 A1 \* 3/2012 Goetz ..... 248/121

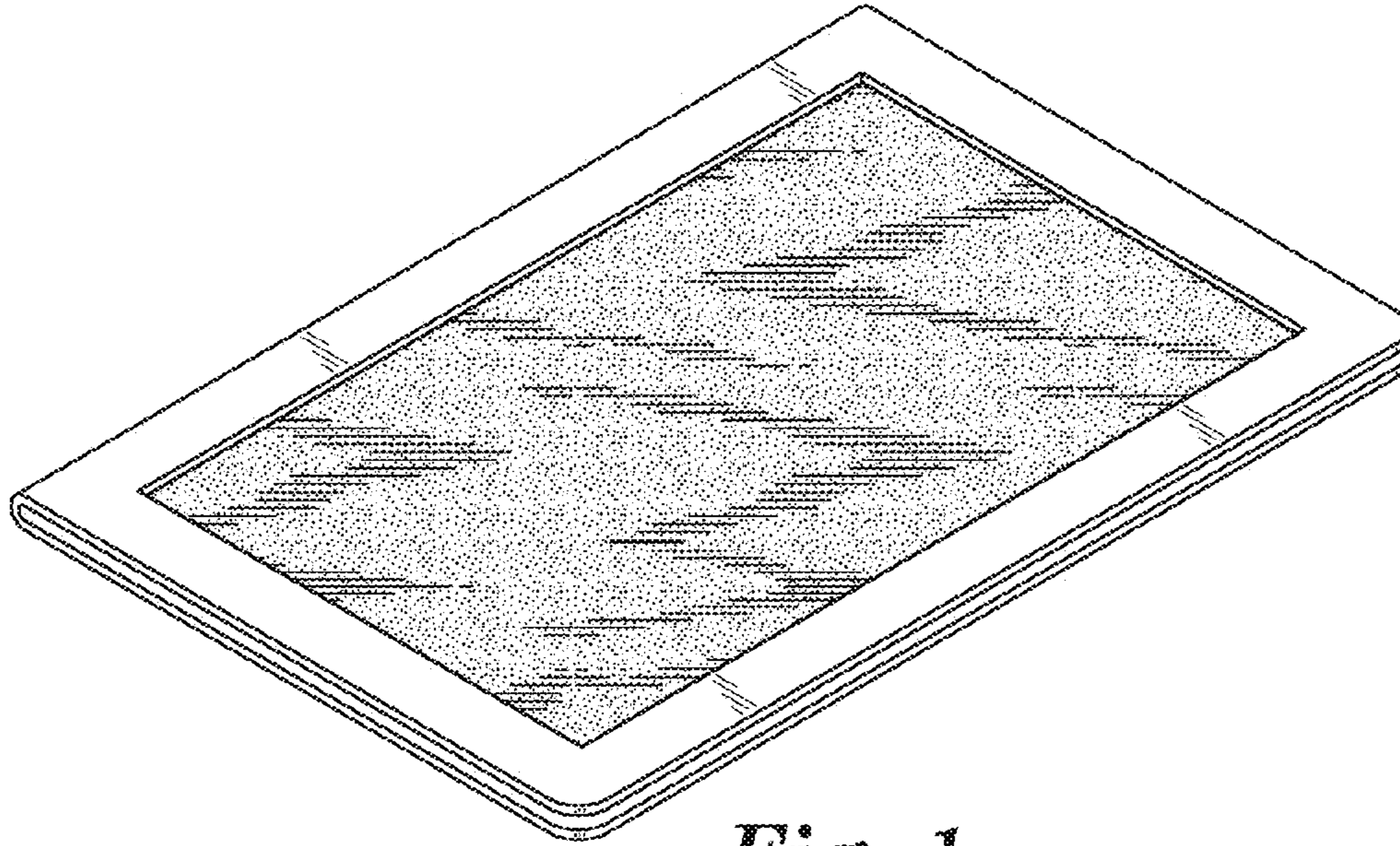
FOREIGN PATENT DOCUMENTS

WO 2010/148082 12/2010  
 WO 2011/140018 11/2011

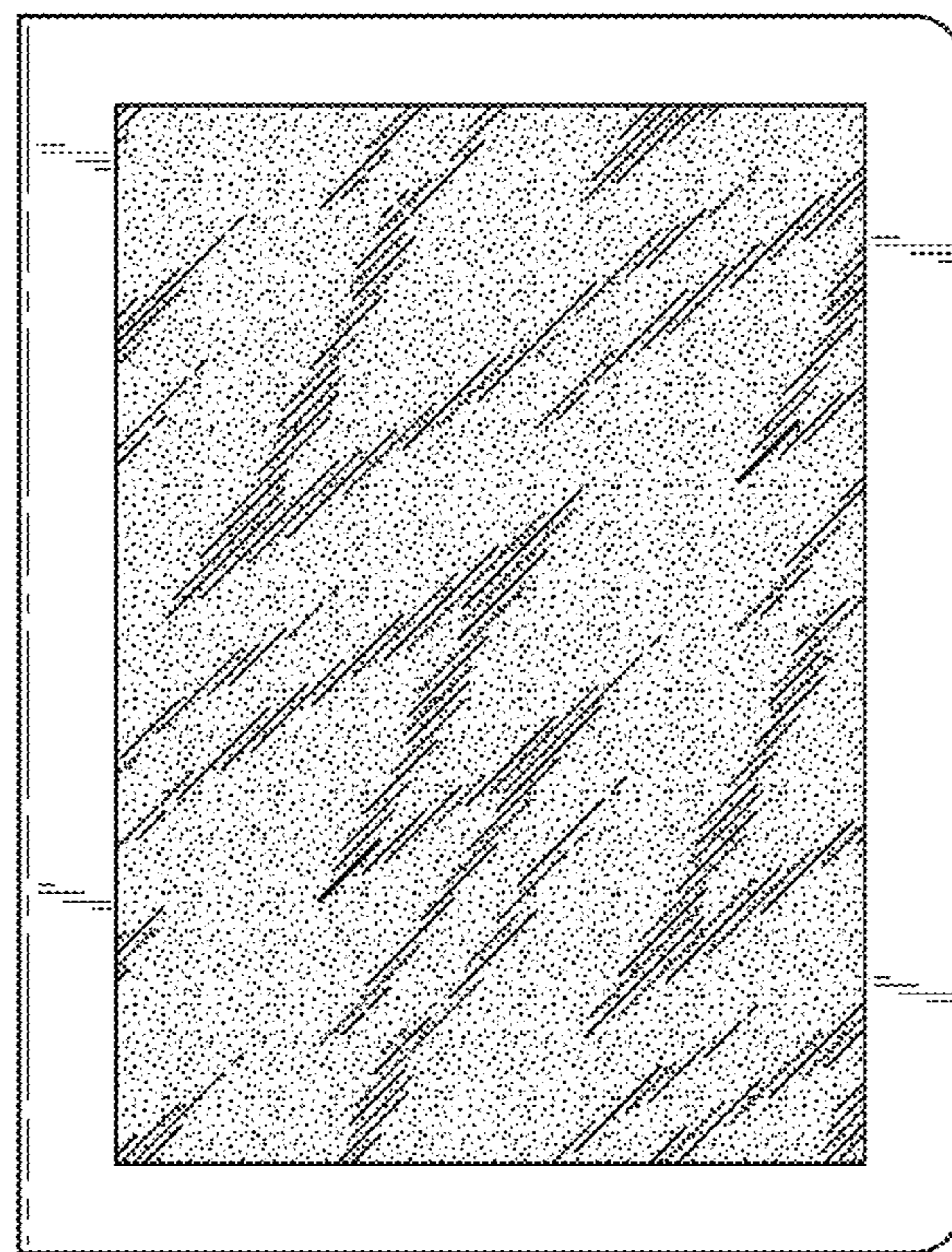
OTHER PUBLICATIONS

Exhibit A2, Case Photograph, commercially available prior to the filing date of this application.  
 “iPhone 4S Defender Series Case”, [Retrieved from the internet Jan. 11, 2012], <<http://www.otterbox.com/iPhone-4S-Defender-Series-Case/APL2-I4SUN,default,pd.html>>, 2 pages.  
 “Drop Tech Series for the Apple iPad 2”, [Retrieved from the internet Jan. 11, 2012], <<http://www.gumdropcases.com/drop-series-ipad-2-case.html>>, 2 pages.  
 “3M™ PF322 W Framed Lightweight Widescreen Desktop Privacy Filer”, [Retrieved from the internet Jan. 4, 2012], <[http://solutions.3m.com/wps/porta1/3M/en\\_US/Health/Safety/Products/Related/?PC\\_7\\_RJH...>](http://solutions.3m.com/wps/porta1/3M/en_US/Health/Safety/Products/Related/?PC_7_RJH...) 3 pages.  
 “Belkin F8Z504tt064 Ipod Lillian Classic Dual-Fit Armband (Caviar)”, [Retrieved from the internet Dec. 19, 2011], <[http://www.amazon.com/Belkin-F8Z504tt064-Lillian-Classic-Dual-Fit/dp/B002S0O7LI/r...>](http://www.amazon.com/Belkin-F8Z504tt064-Lillian-Classic-Dual-Fit/dp/B002S0O7LI/r...), 1 page.  
 “igadgitz Water Resistant Neoprene Sports Gym Jogging Armband for Apple iPod Classic 80gb, 120gb & 160gb” [Retrieved from the internet Dec. 19, 2011], <[http://www.amazon.com/igadgitz-Resistant-Neoprene-Jogging-Armband/dp/B000WBDD...>](http://www.amazon.com/igadgitz-Resistant-Neoprene-Jogging-Armband/dp/B000WBDD...), 1 page.  
 “SportCase Sport-Ready Neoprene Case for iPod Classic 80GB, 160GB, and iPod Video 5<sup>th</sup> Generation, with adjustable armband, PN008-1003, by Philips-DLO”, [Retrieved from the internet Dec. 19, 2011], <[http://www.amazon.com/Sport-Ready-Generation.adjustable-PN008-1003-Philips-DLO/...>](http://www.amazon.com/Sport-Ready-Generation.adjustable-PN008-1003-Philips-DLO/...), 1 page.

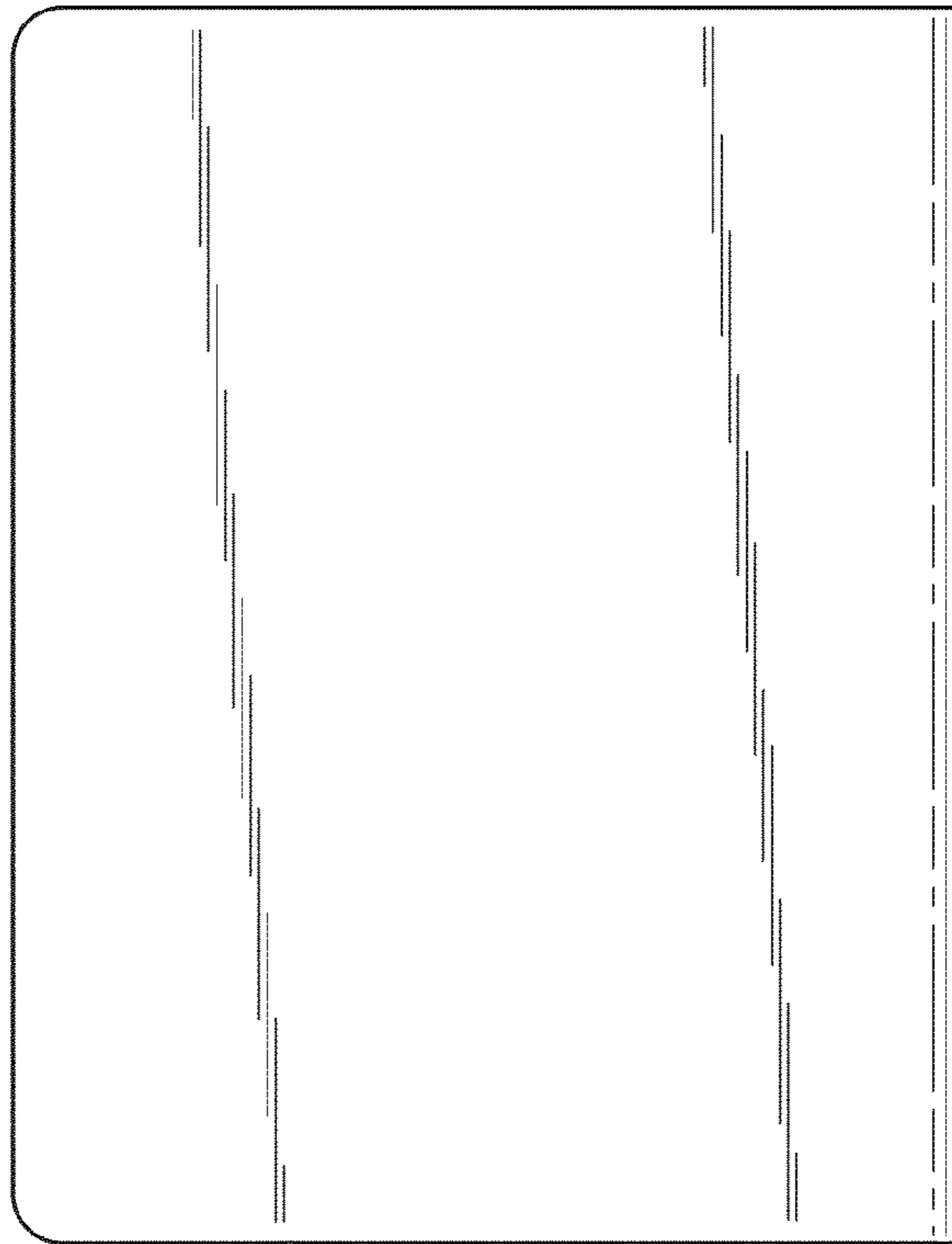
\* cited by examiner



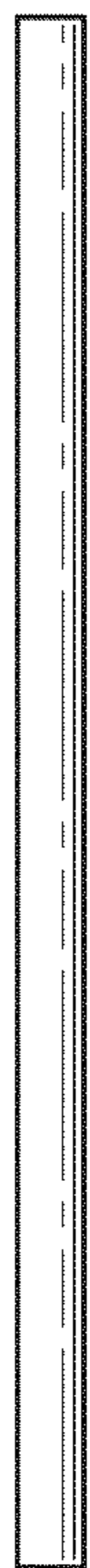
*Fig. 1*



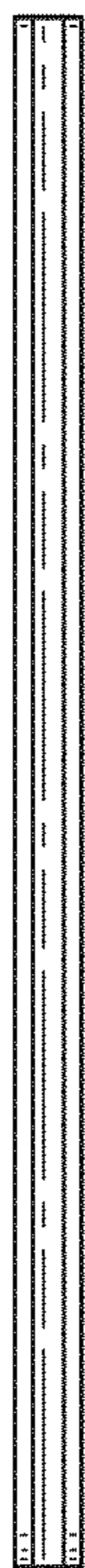
*Fig. 2*



*Fig. 3*



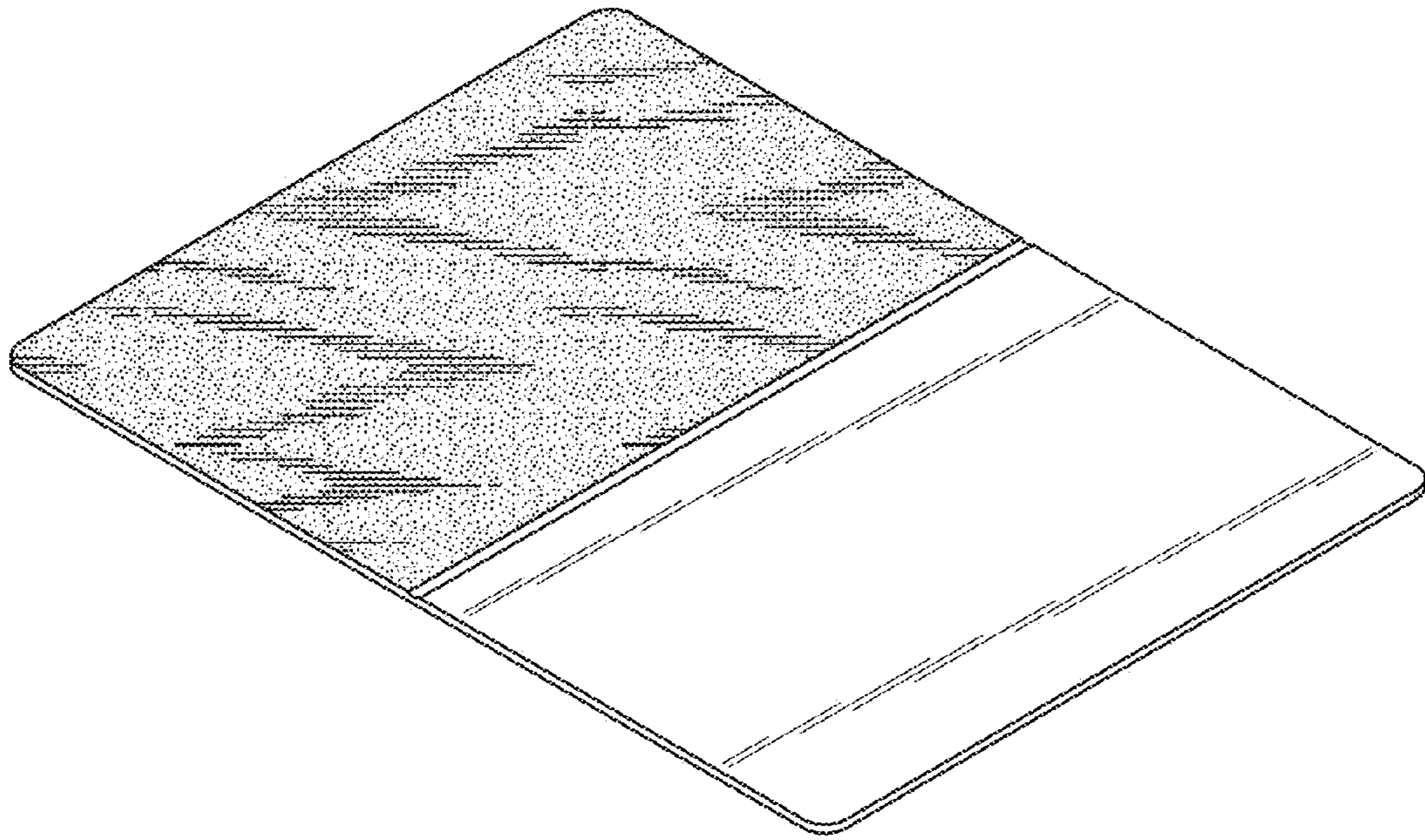
*Fig. 4*



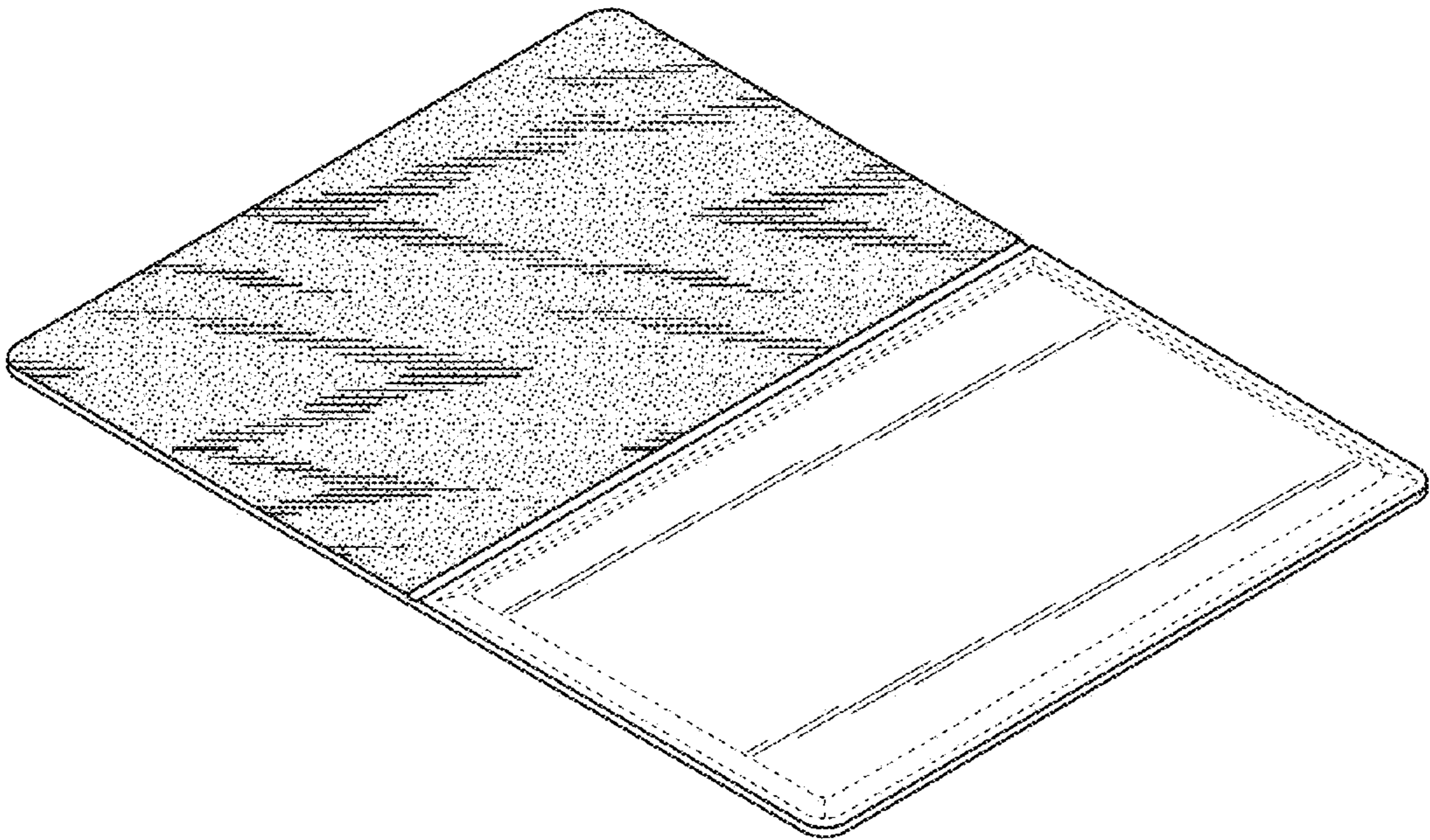
*Fig. 5*



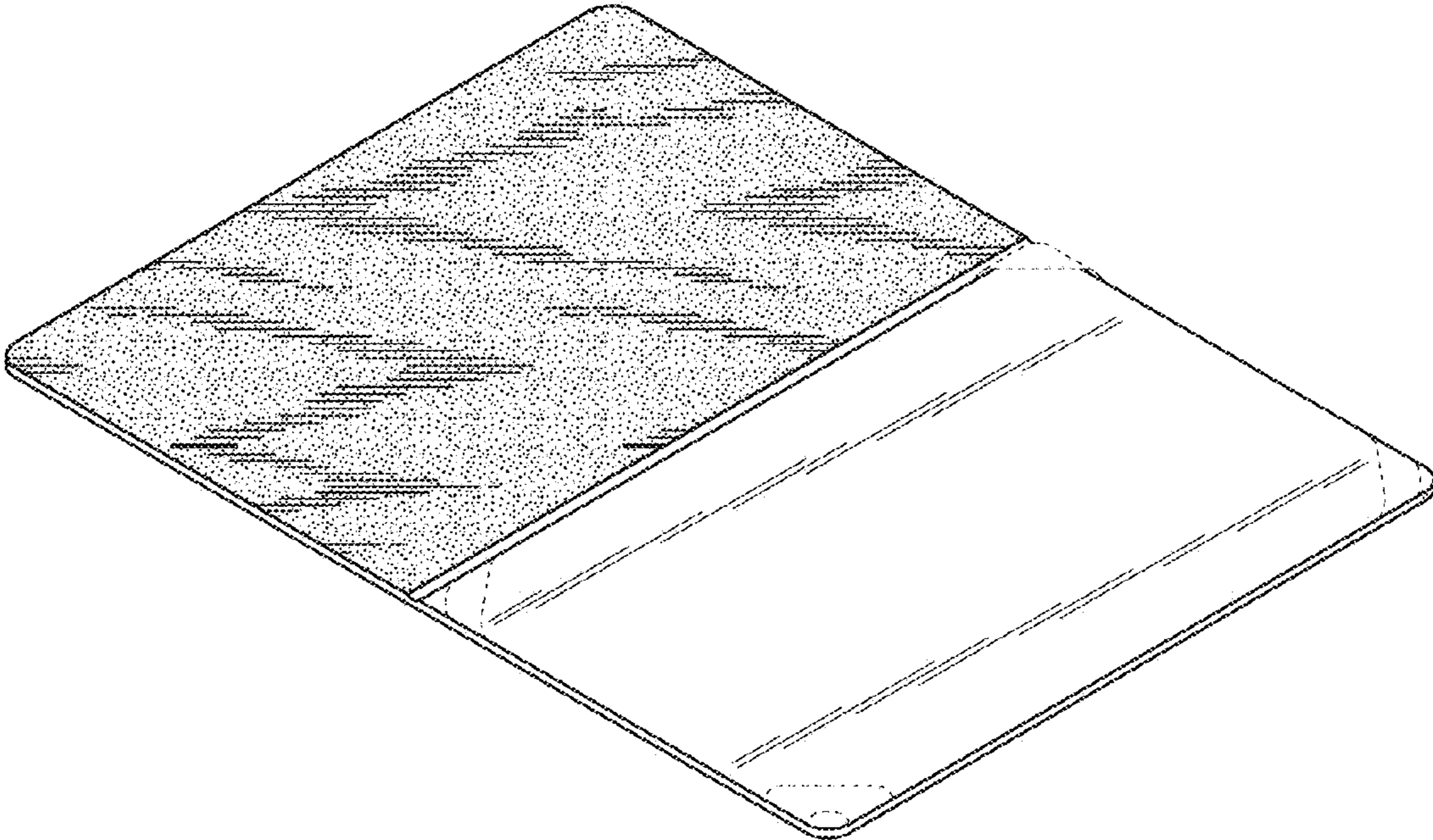
*Fig. 6*



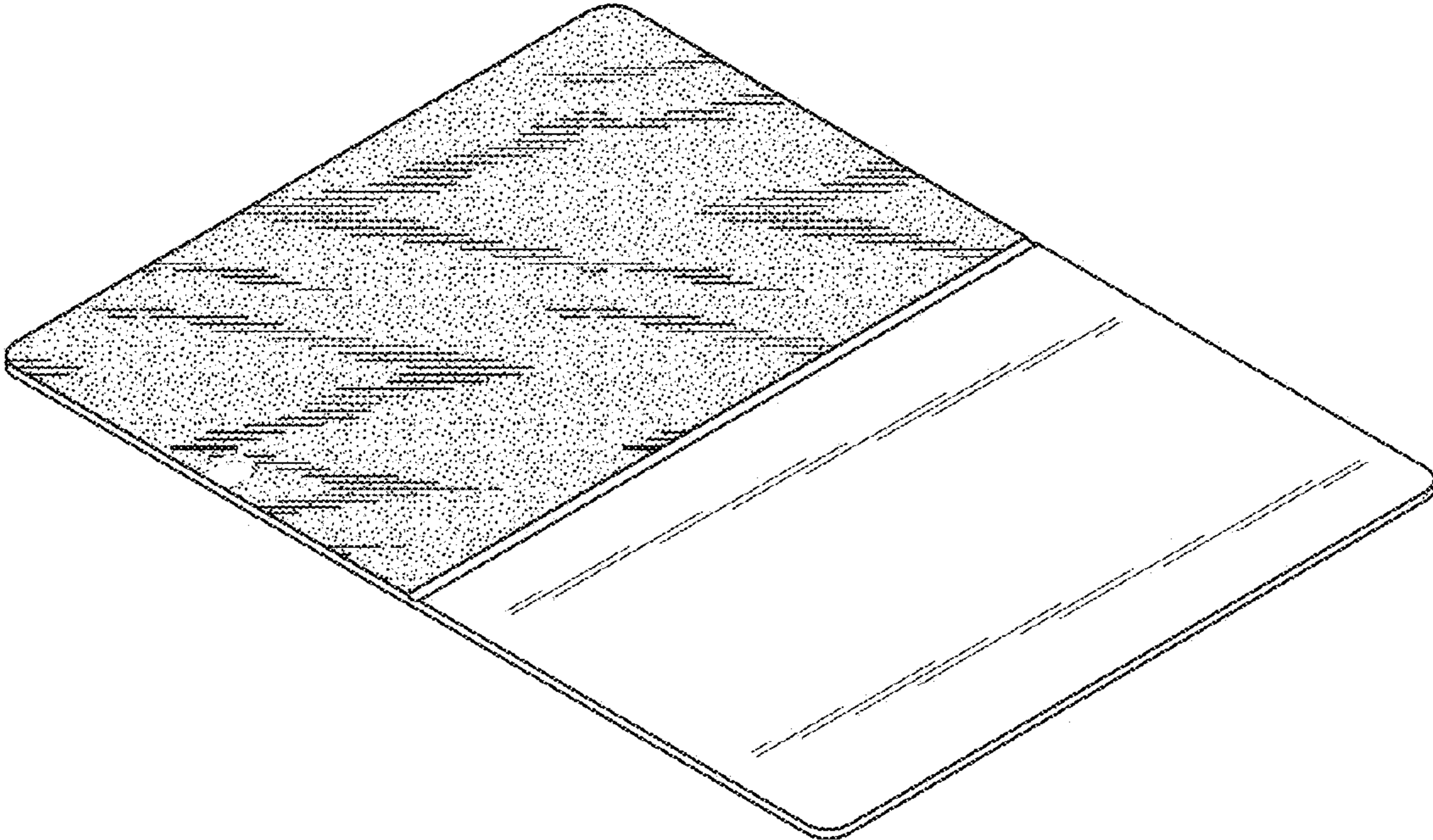
*Fig. 7*



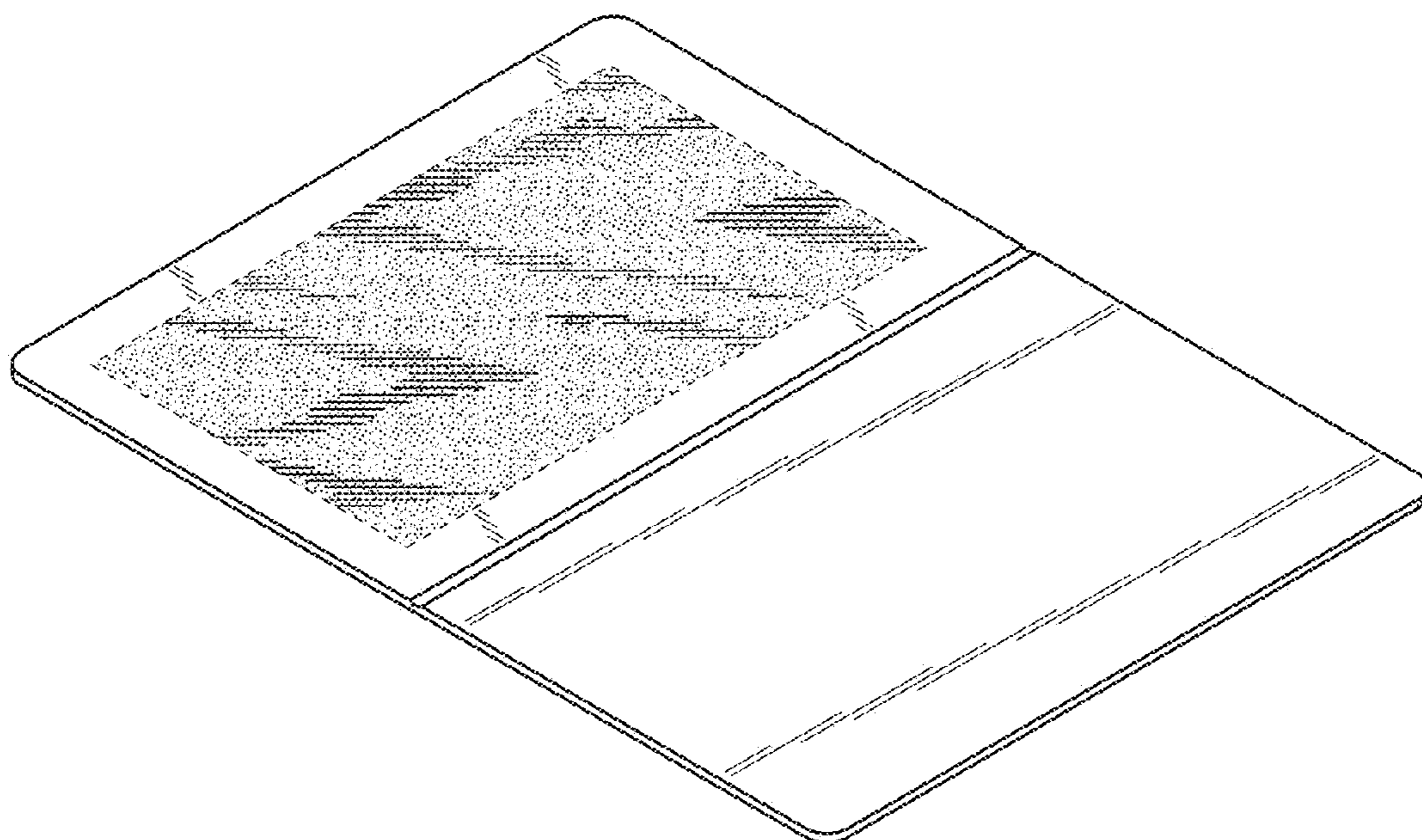
*Fig. 8*



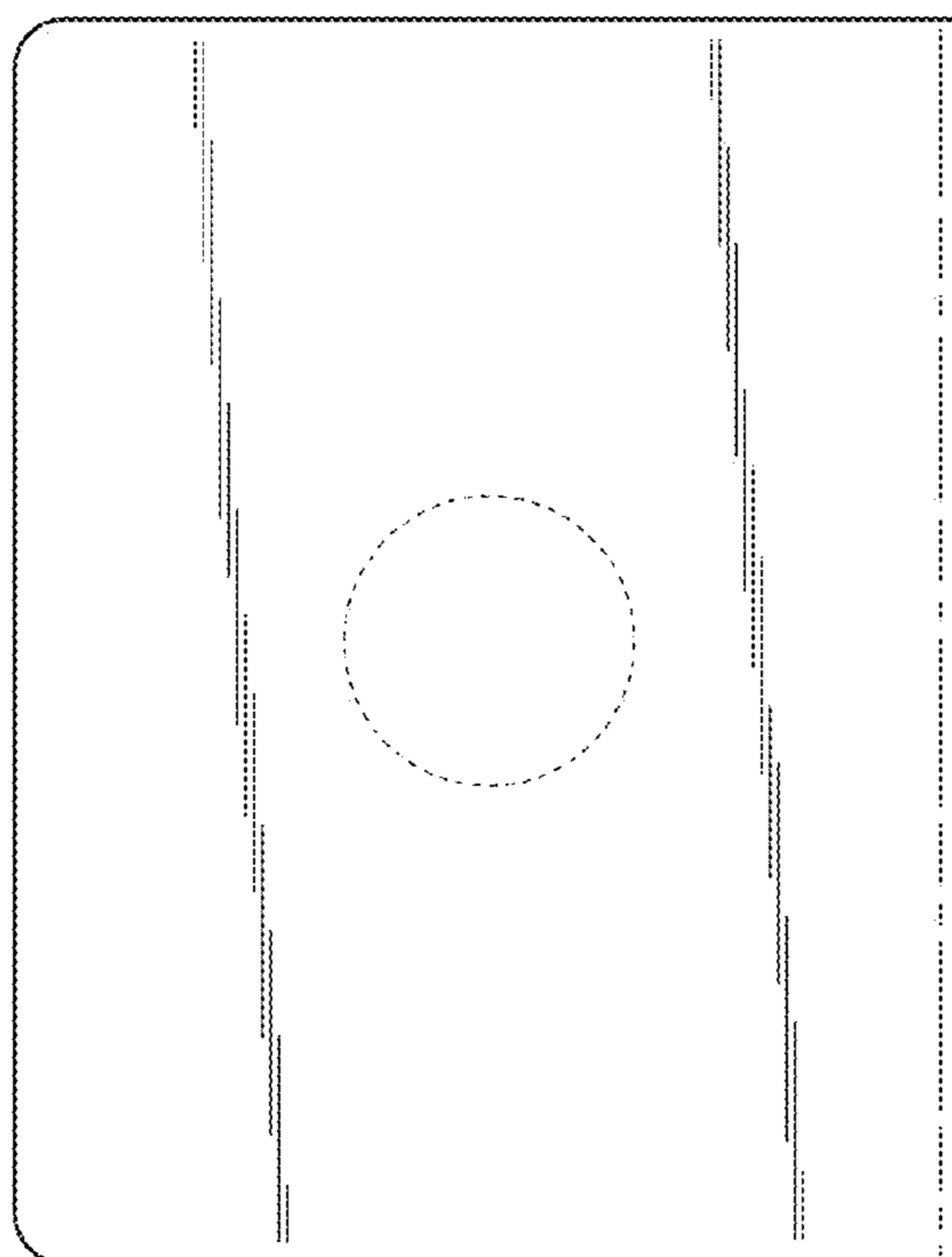
*Fig. 9*



*Fig. 10*



*Fig. 11*



*Fig. 12*