



US00D689052S

(12) **United States Design Patent**
Chen

(10) **Patent No.:** **US D689,052 S**

(45) **Date of Patent:** **** Sep. 3, 2013**

(54) **MOUSE**

(71) Applicant: **Hon Hai Precision Industry Co., Ltd.,**
New Taipei (TW)

(72) Inventor: **Si-Wei Chen, Shenzhen (CN)**

(73) Assignee: **Hon Hai Precision Industry Co., Ltd.,**
New Taipei (TW)

(**) Term: **14 Years**

(21) Appl. No.: **29/439,719**

(22) Filed: **Dec. 14, 2012**

(30) **Foreign Application Priority Data**

Dec. 13, 2012 (CN) 2012 3 0624827

(51) **LOC (9) Cl.** **14-02**

(52) **U.S. Cl.**
USPC **D14/403**

(58) **Field of Classification Search**
USPC D14/402-411, 356, 388, 389, 383-385,
D14/417, 426; 345/156-167; 463/36-38;
358/471, 473; 273/148 B; 248/118
See application file for complete search history.

(56) **References Cited**

U.S. PATENT DOCUMENTS

D421,253 S * 2/2000 Blank D14/403
6,097,369 A * 8/2000 Wambach 345/158

D430,568 S * 9/2000 Leaf et al. D14/403
6,585,198 B2 * 7/2003 Dillon 248/118.5
6,870,526 B2 * 3/2005 Zngf et al. 345/158
D526,649 S * 8/2006 Pendergrass et al. D14/410
D595,929 S * 7/2009 Brown D2/617
7,705,827 B1 * 4/2010 Robinson 345/163
7,737,942 B2 * 6/2010 Bajramovic 345/156
7,757,998 B1 * 7/2010 Fidali et al. 248/118
7,834,851 B1 * 11/2010 Fidali et al. 345/163

* cited by examiner

Primary Examiner — Austin Murphy

(74) *Attorney, Agent, or Firm* — Altis Law Group, Inc.

(57) **CLAIM**

The ornamental design for a mouse, as shown and described.

DESCRIPTION

FIG. 1 is a front perspective view of my new design for a mouse;

FIG. 2 is a front view thereof;

FIG. 3 is a rear view thereof;

FIG. 4 is a left view thereof;

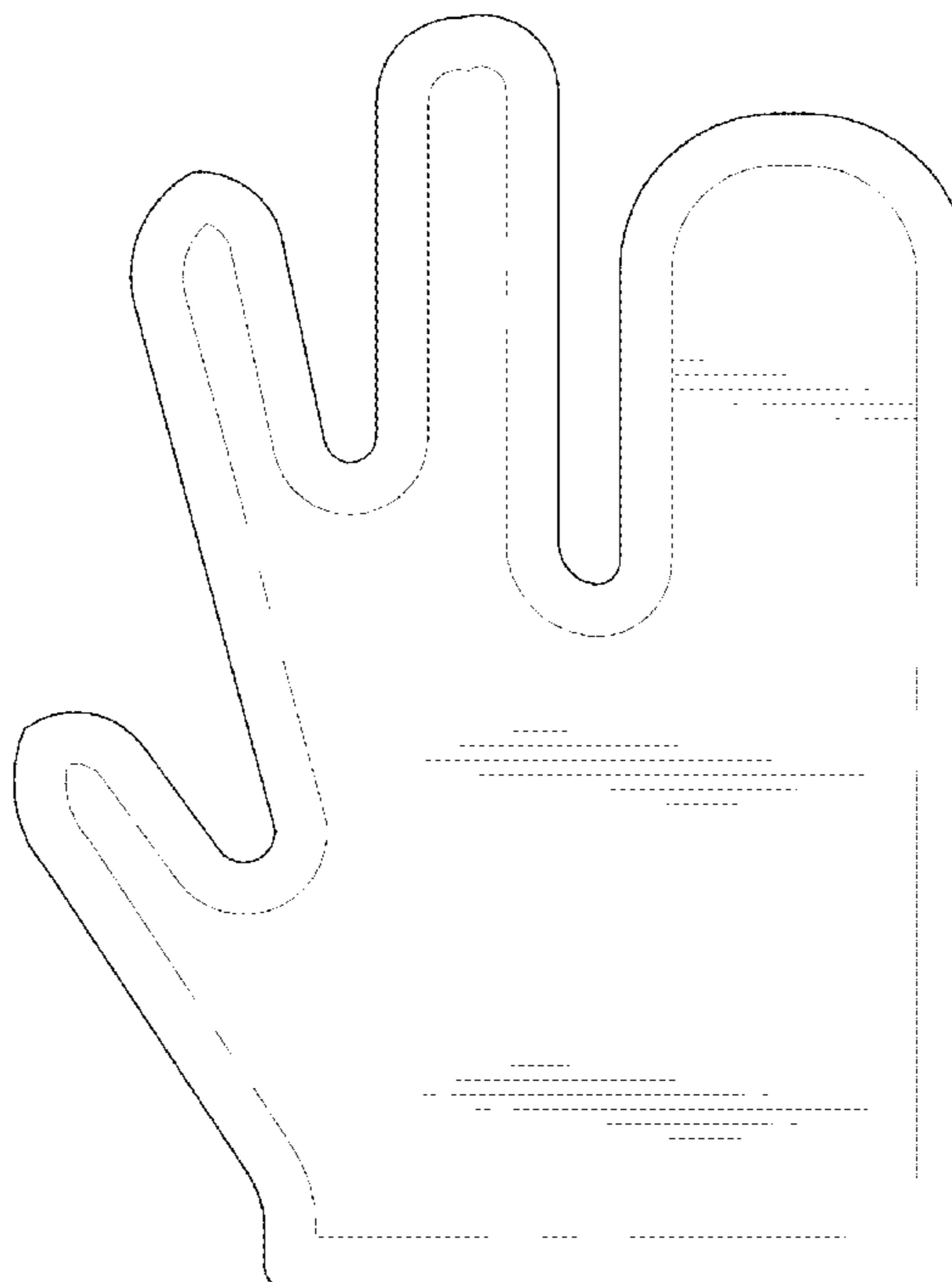
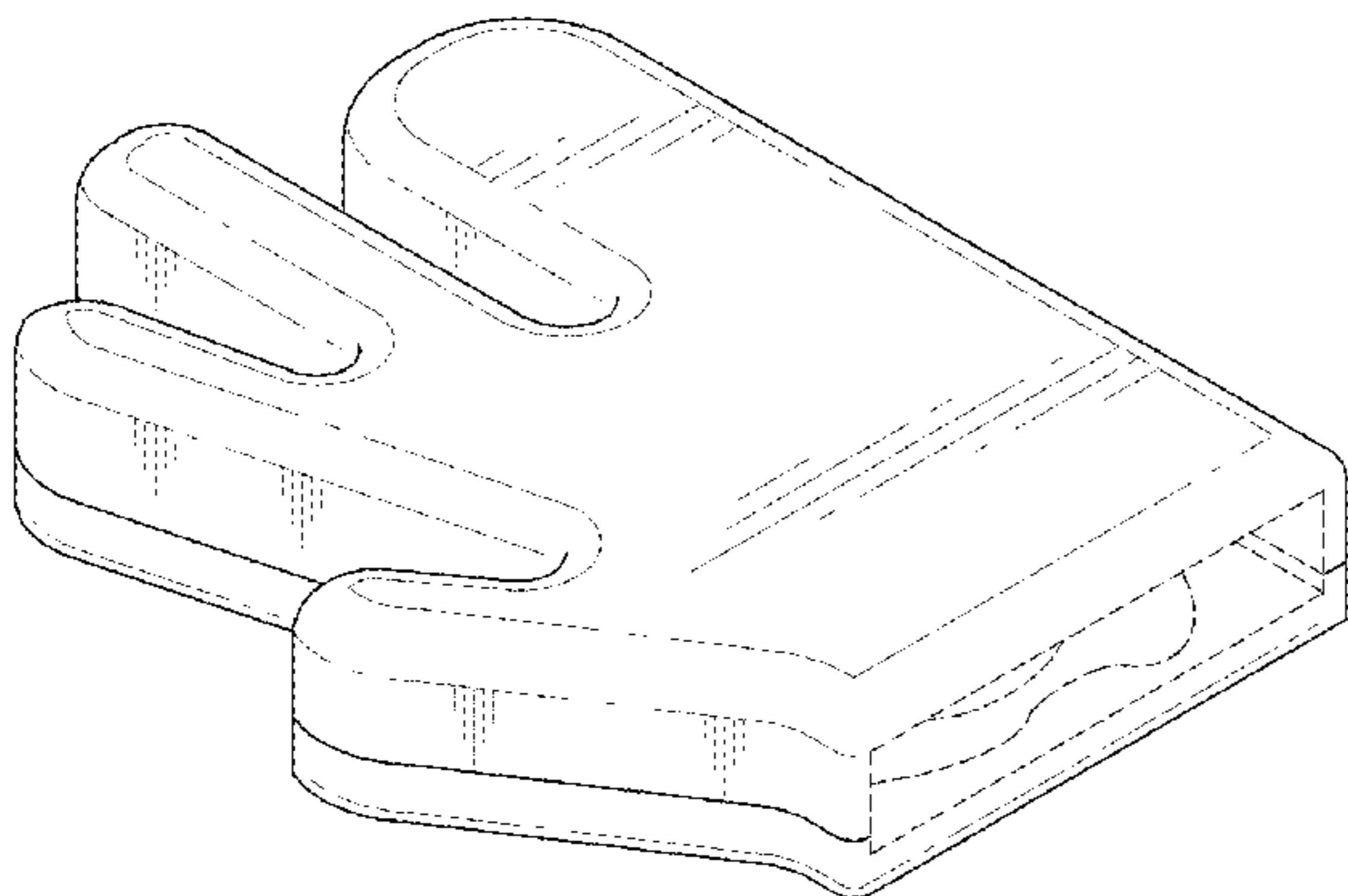
FIG. 5 is a right view thereof;

FIG. 6 is a top view thereof; and,

FIG. 7 is a bottom view thereof.

The broken lines in the drawings are used for illustrating environmental structures, and form no part of the claimed design.

1 Claim, 7 Drawing Sheets



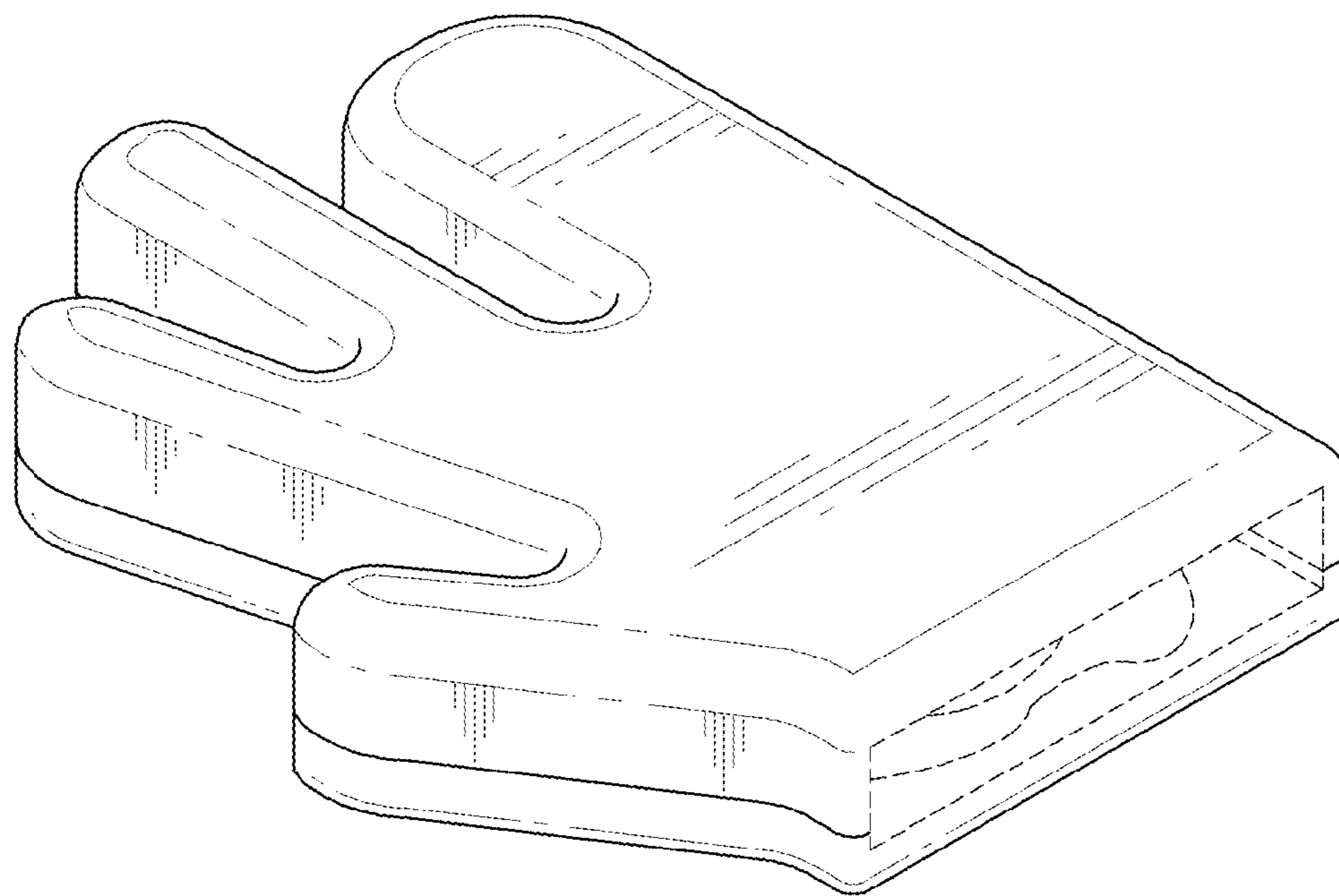


FIG. 1

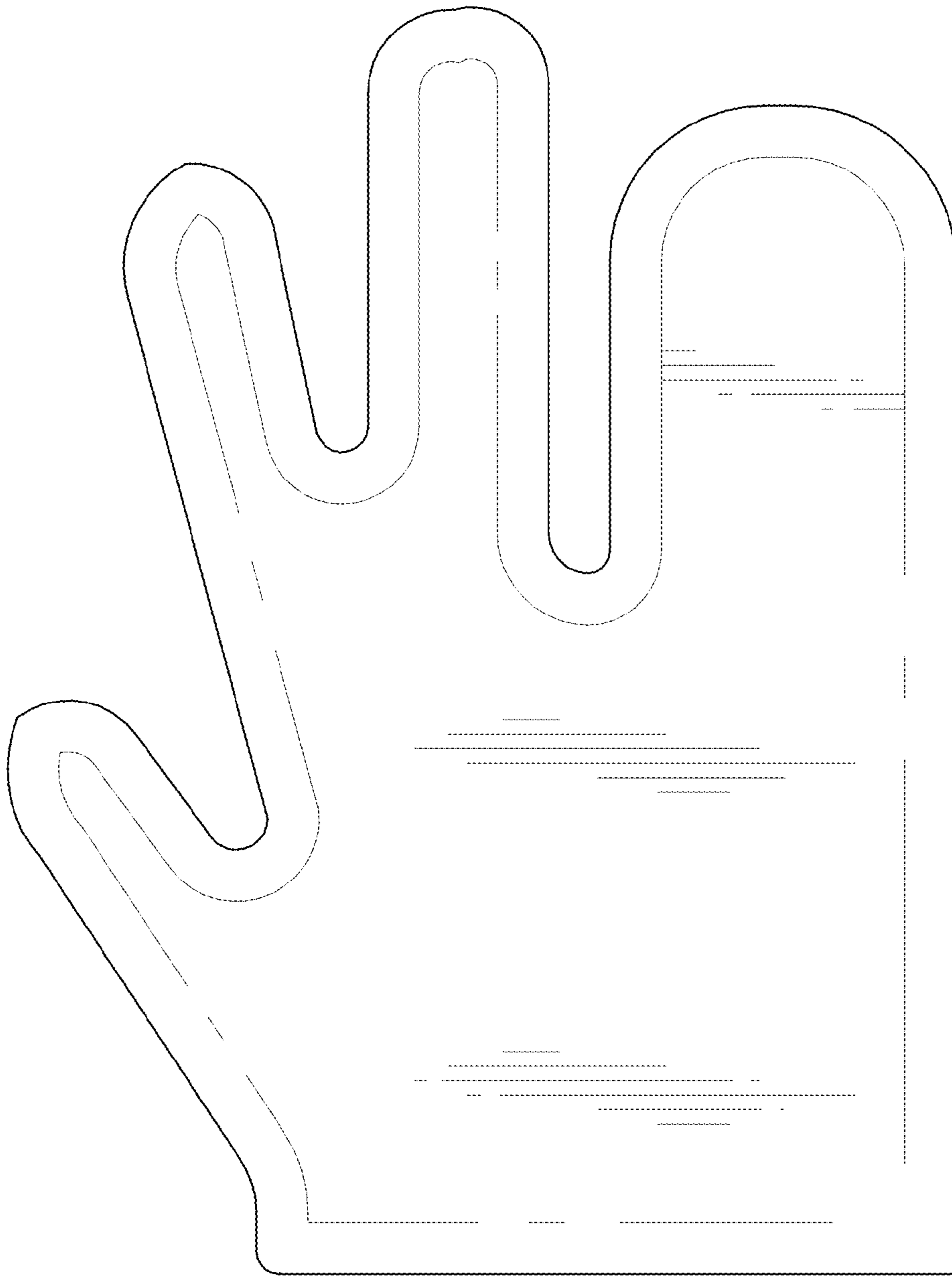


FIG. 2

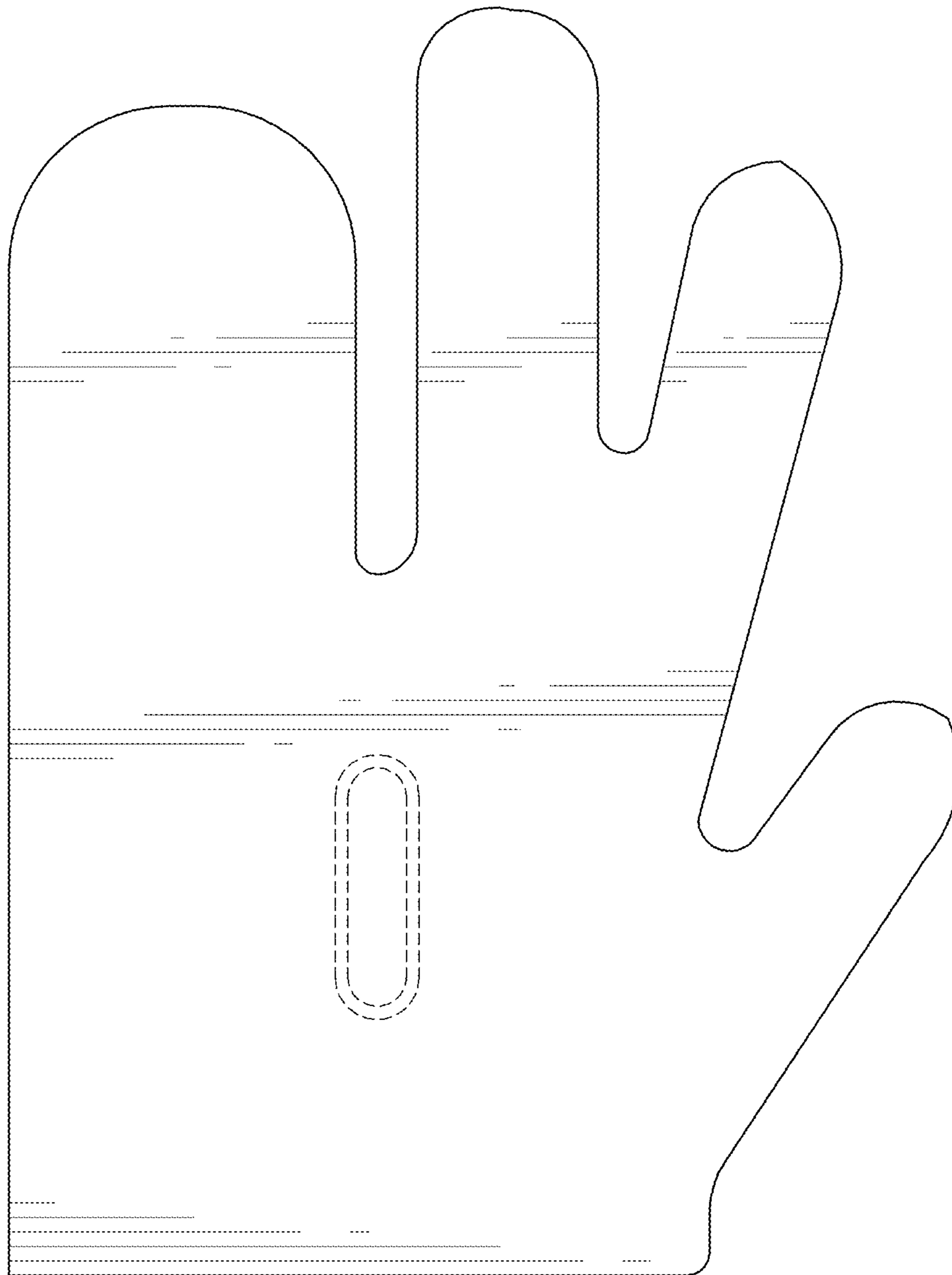


FIG. 3

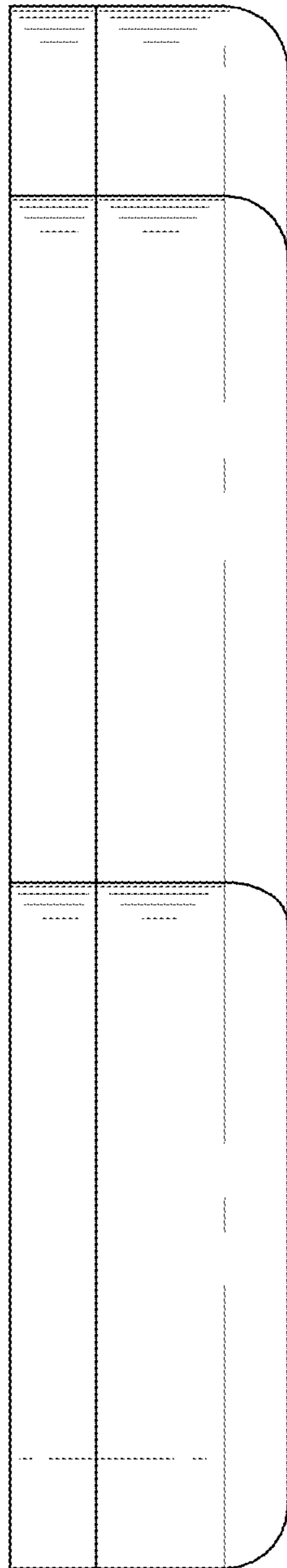


FIG. 4

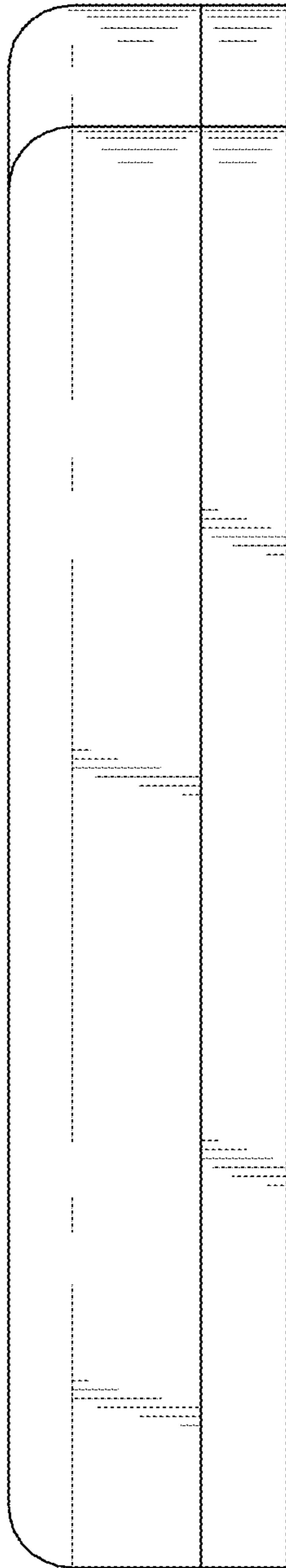


FIG. 5

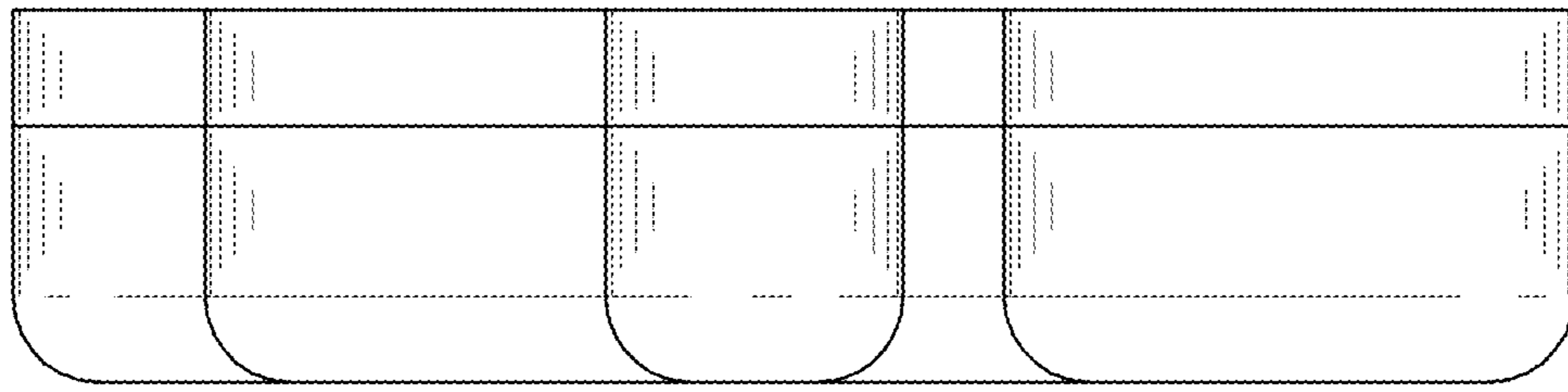


FIG. 6

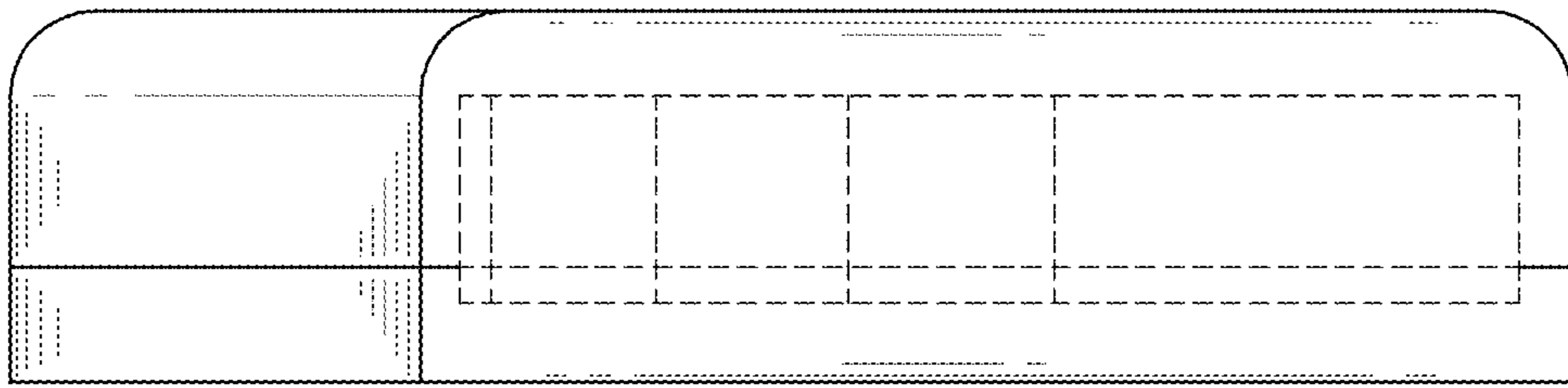


FIG. 7