



(12) **United States Design Patent**
Chong et al.

(10) **Patent No.:** **US D689,050 S**
(45) **Date of Patent:** **** Sep. 3, 2013**

(54) **NETWORK STORAGE**

(75) Inventors: **Yuonui Chong**, Seoul (KR); **Byungmu Huh**, Seoul (KR); **Mikyung Kim**, Seoul (KR)

(73) Assignee: **LG Electronics Inc.**, Seoul (KR)

(**) Term: **14 Years**

(21) Appl. No.: **29/410,916**

(22) Filed: **Jan. 13, 2012**

(30) **Foreign Application Priority Data**

Jul. 14, 2011 (KR) 30-2011-0029390

(51) **LOC (9) Cl.** **14-02**

(52) **U.S. Cl.**
USPC **D14/358**; D14/368

(58) **Field of Classification Search**
USPC D14/300–302, 314, 348–370, 383–385,
D14/435, 496, 125, 135, 155, 240–242, 299;
D3/273; D9/432; D10/65, 75, 78; D13/103,
D13/119, 162, 187, 199; 361/679.31–679.45,
361/796–802; 312/223.2
See application file for complete search history.

(56) **References Cited**

U.S. PATENT DOCUMENTS

D179,493	S *	1/1957	Sackler	D10/75
D243,959	S *	4/1977	Clayton et al.	D14/363
D278,336	S *	4/1985	Girardi et al.	D14/496
D349,890	S *	8/1994	Kabumoto	D14/368
6,233,143	B1 *	5/2001	Gamble et al.	361/679.34
D481,385	S *	10/2003	Tanaka	D14/308
7,269,003	B1 *	9/2007	Chung	361/679.33
D568,881	S *	5/2008	Hsiau	D14/370

D602,934	S *	10/2009	Cao et al.	D14/356
D676,444	S *	2/2013	Cloutier	D14/349
2002/0105253	A1 *	8/2002	Diaz et al.	312/265.6
2005/0135075	A1 *	6/2005	Deng	361/797

OTHER PUBLICATIONS

GoodDigitalshop | LG NC3 N2A3DD2 NAS Smart Cloud Network Attached Storage 2TB HDD Included, [online], [retrieved on Jun. 26, 2013]. Retrieved from the Internet <URL: <http://www.good-digitalshop.com/lg-nc3-n2a3dd2-nas-smart-cloud-network-attached-storage-2tb-hdd-included.html>>.*

* cited by examiner

Primary Examiner — Karen E Kearney

(74) *Attorney, Agent, or Firm* — Morgan, Lewis & Bockius LLP

(57) **CLAIM**

The ornamental design for a network storage, as shown and described.

DESCRIPTION

FIG. 1 is a perspective view of a network storage showing our new design;
FIG. 2 is a front view thereof;
FIG. 3 is a rear view thereof;
FIG. 4 is a left side view thereof;
FIG. 5 is a right side view thereof;
FIG. 6 is a top plan view thereof;
FIG. 7 is a bottom plan view thereof;
FIG. 8 is a perspective view thereof, showing the top cover removed for ease of illustration; and,
FIG. 9 is an exploded perspective view thereof.

1 Claim, 9 Drawing Sheets

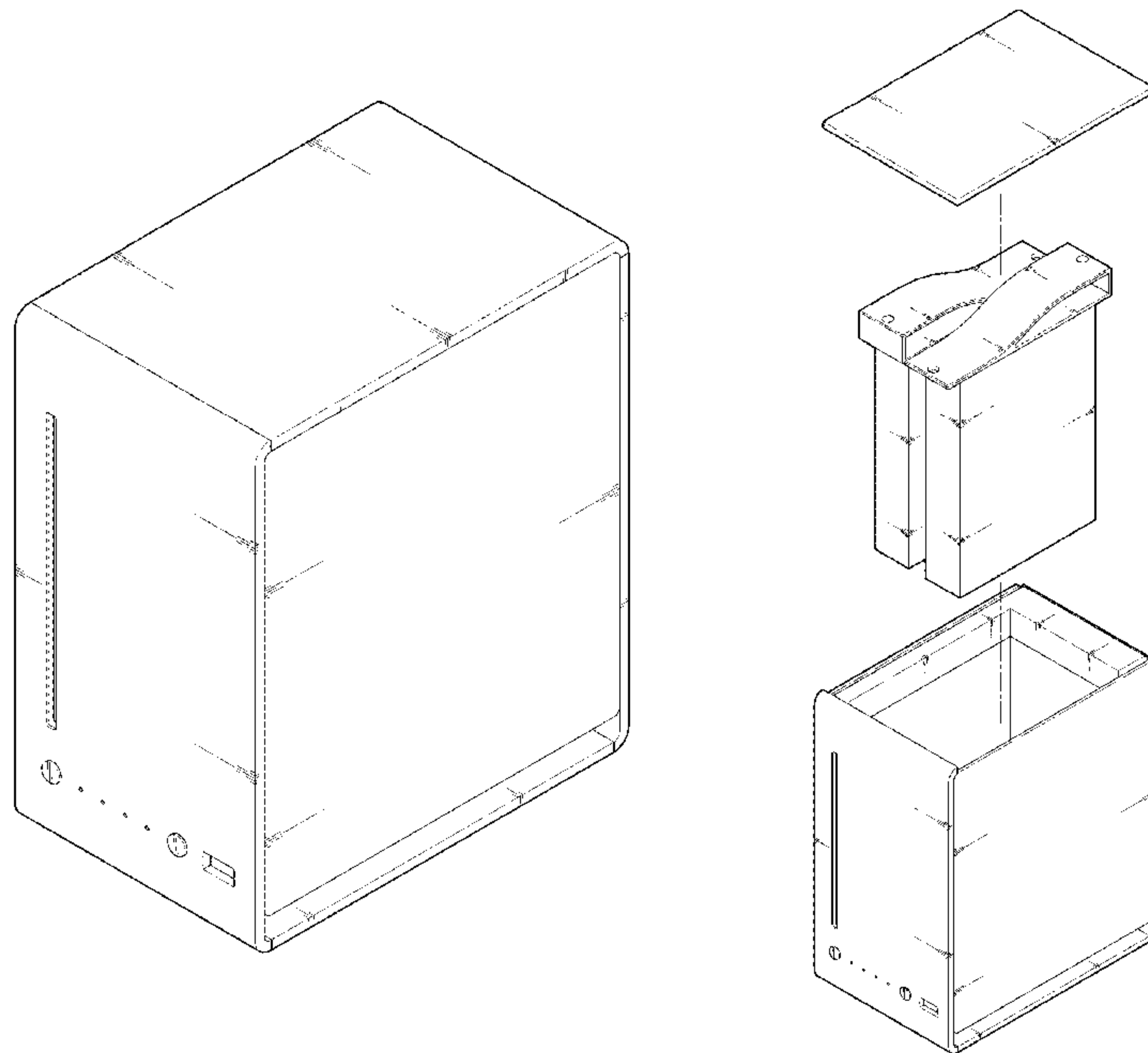


FIG. 1

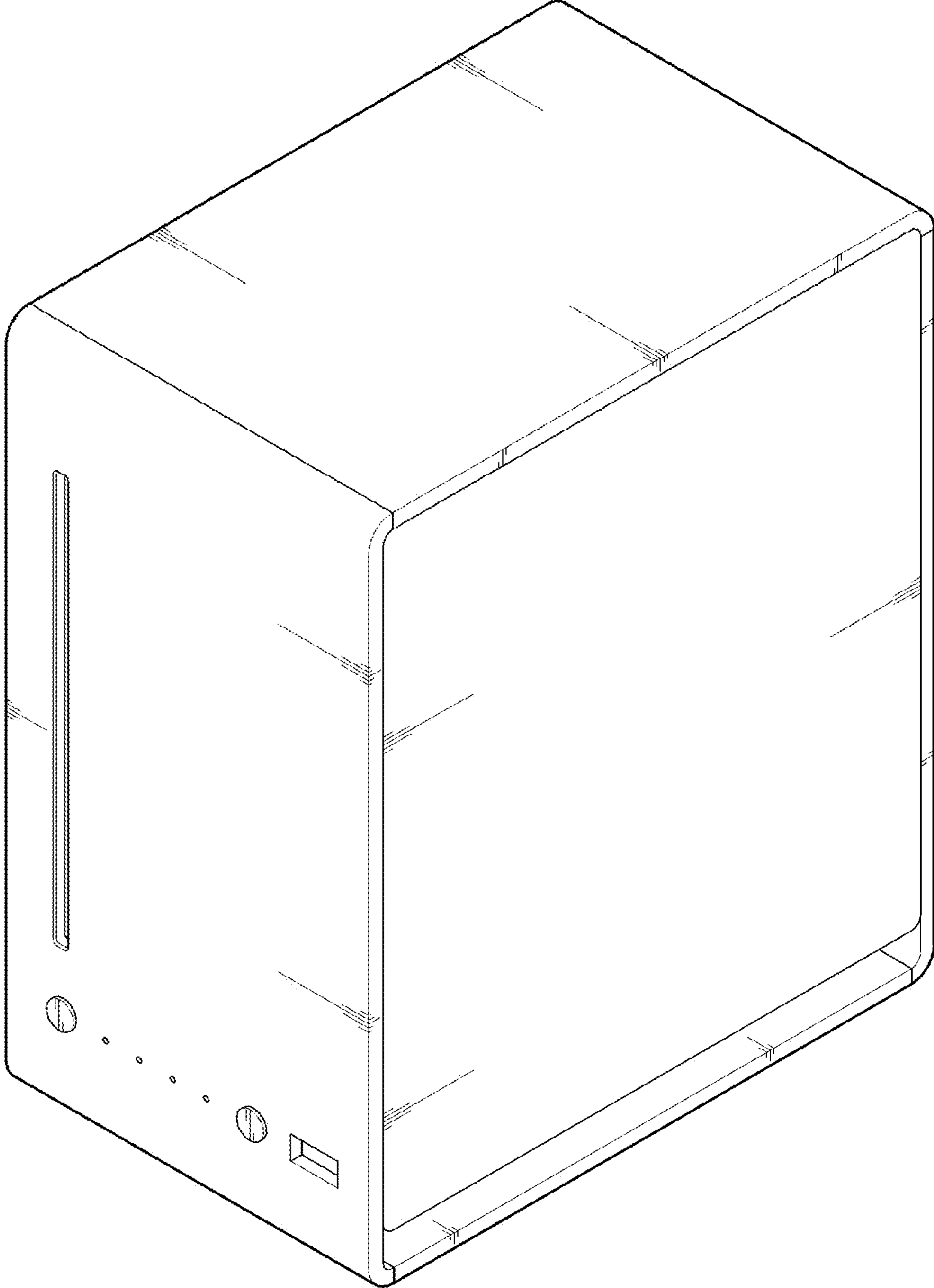


FIG. 2

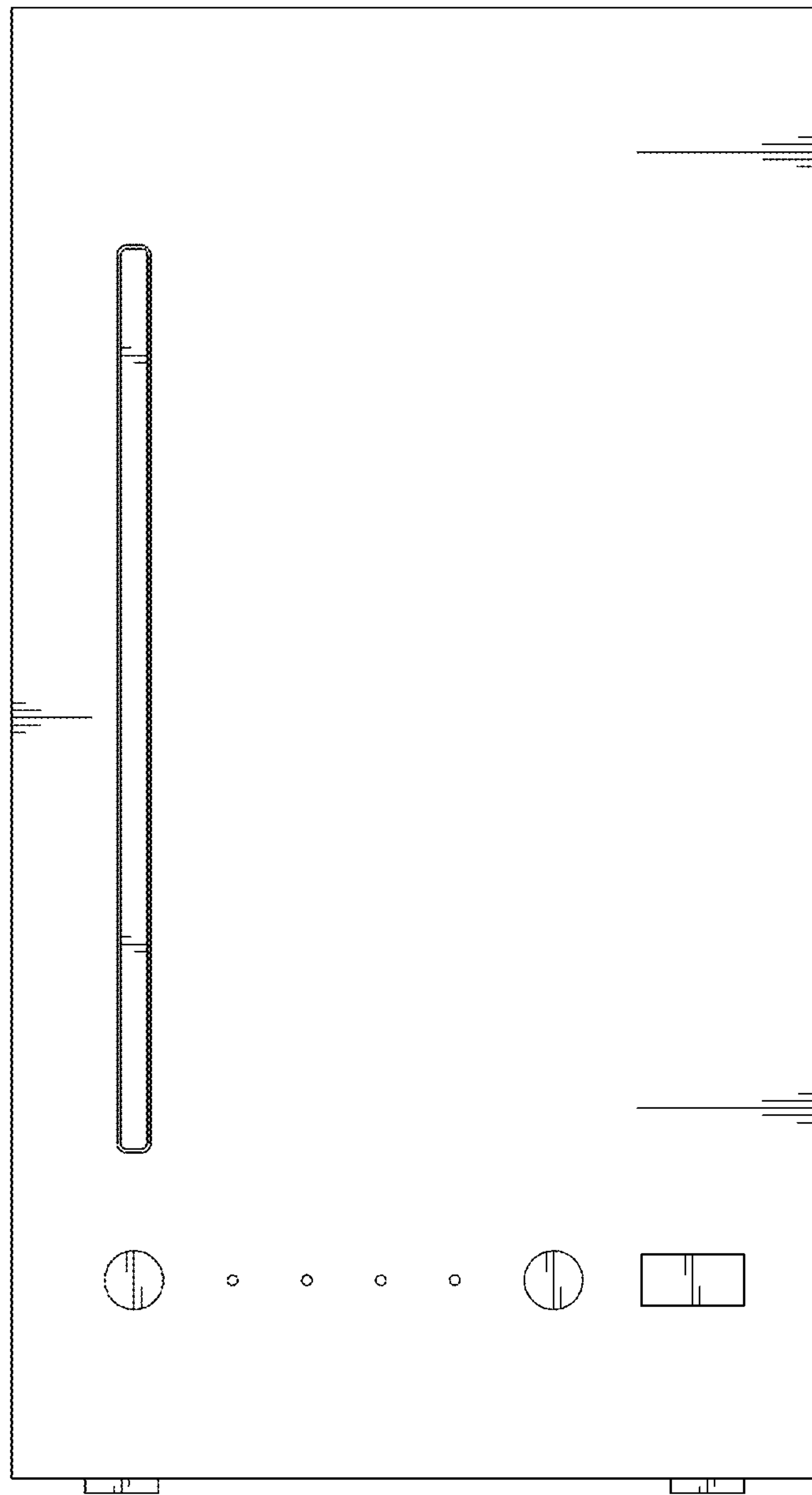


FIG. 3

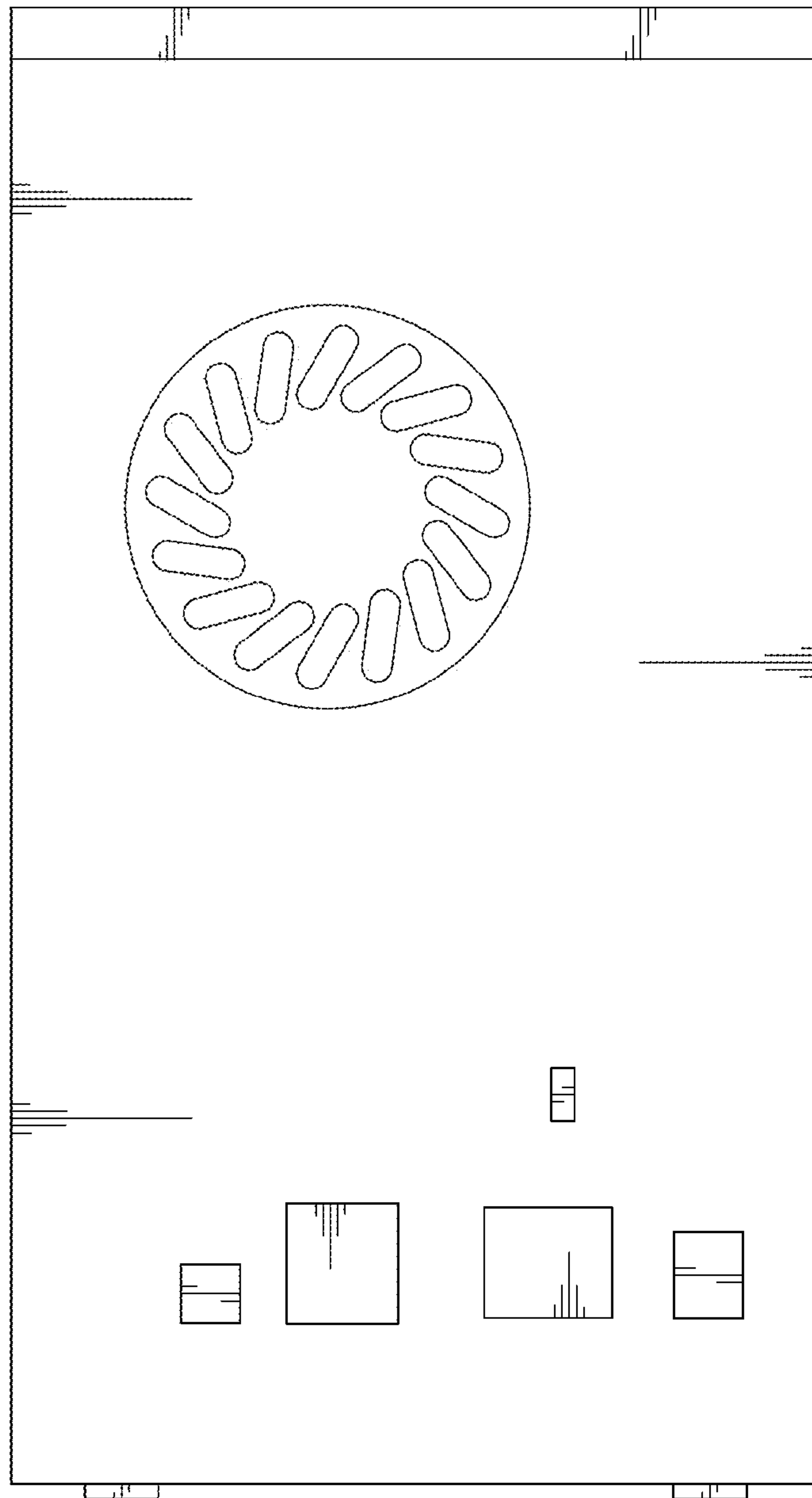


FIG. 4

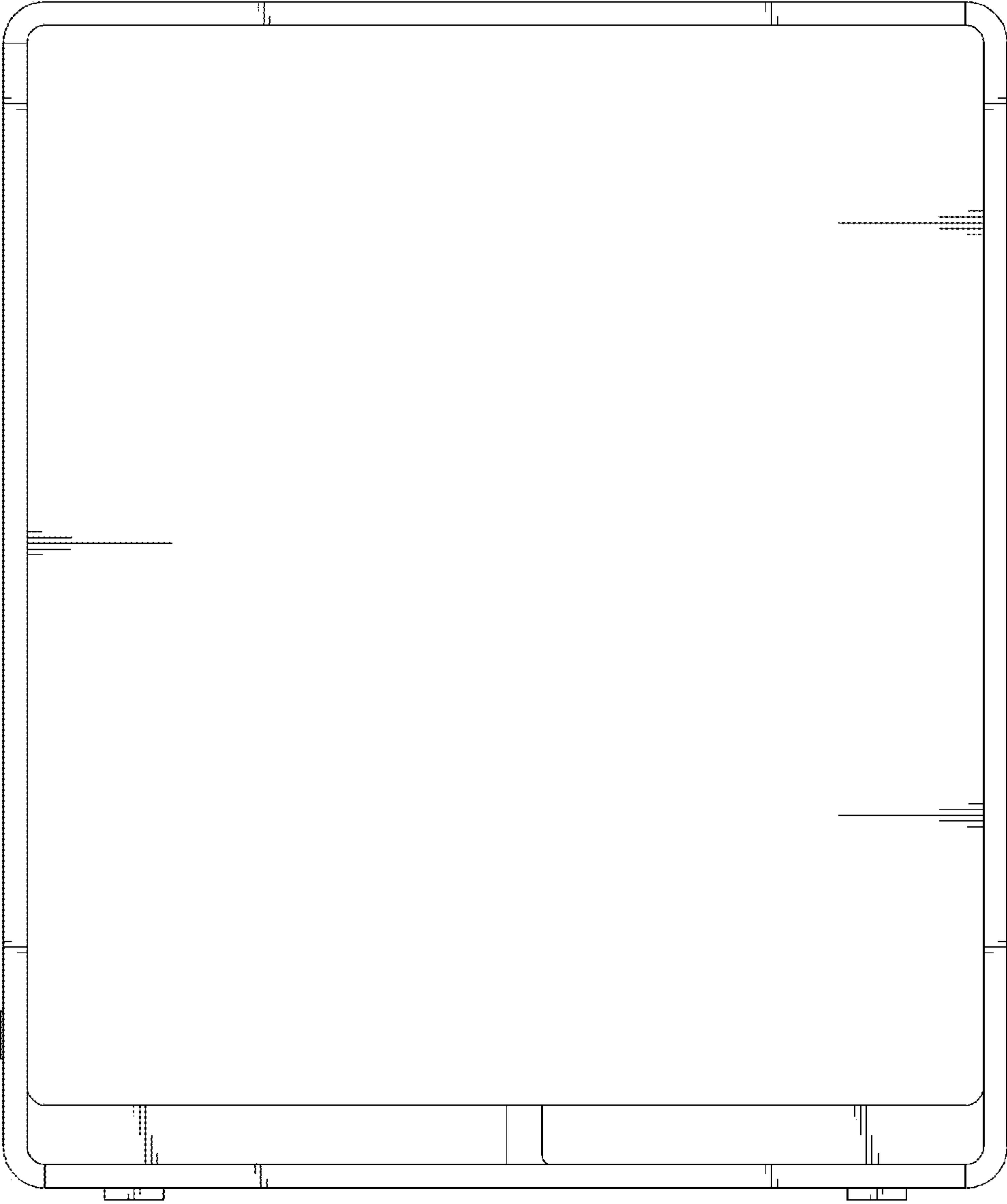


FIG. 5

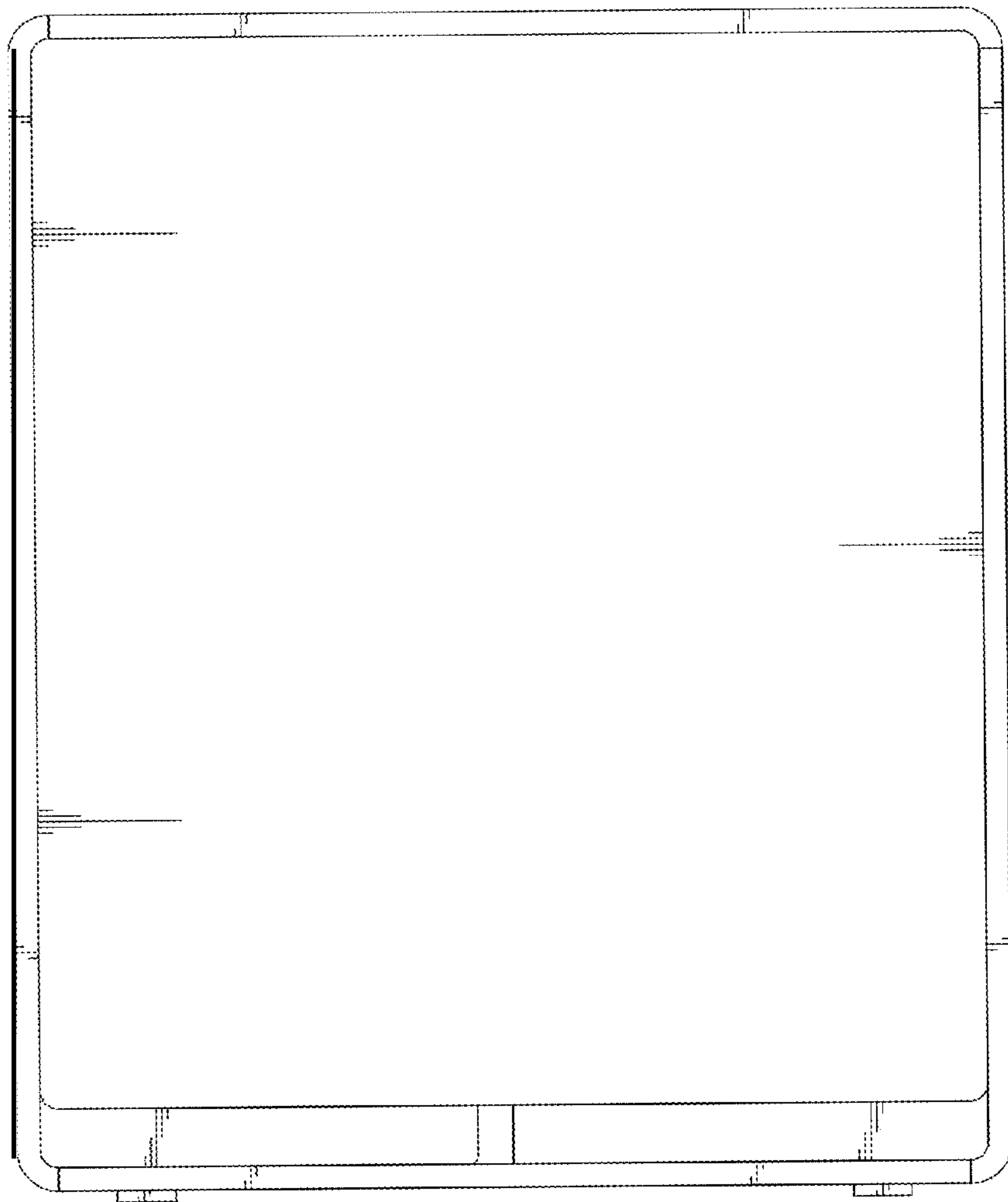


FIG. 6

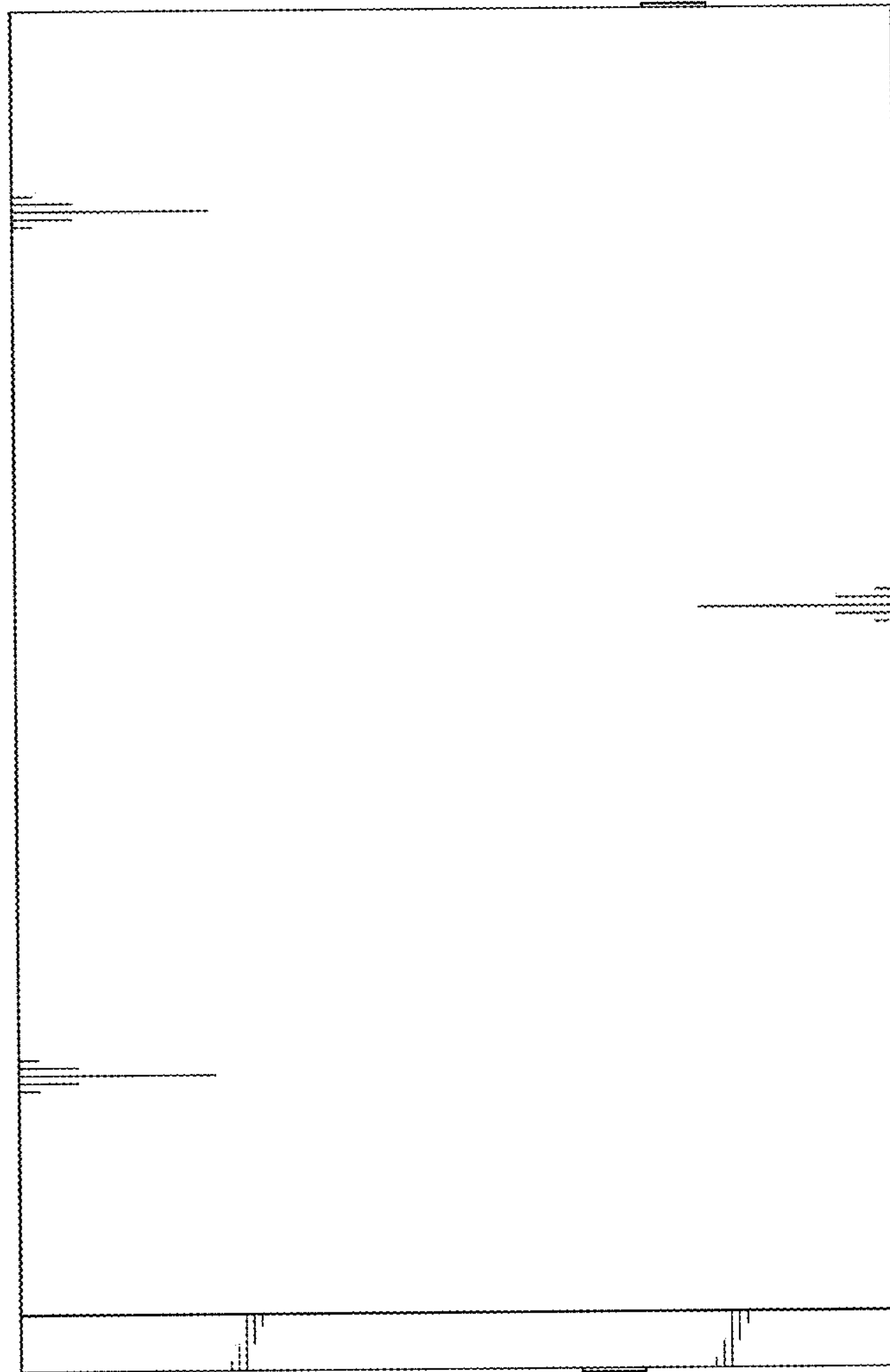


FIG. 7

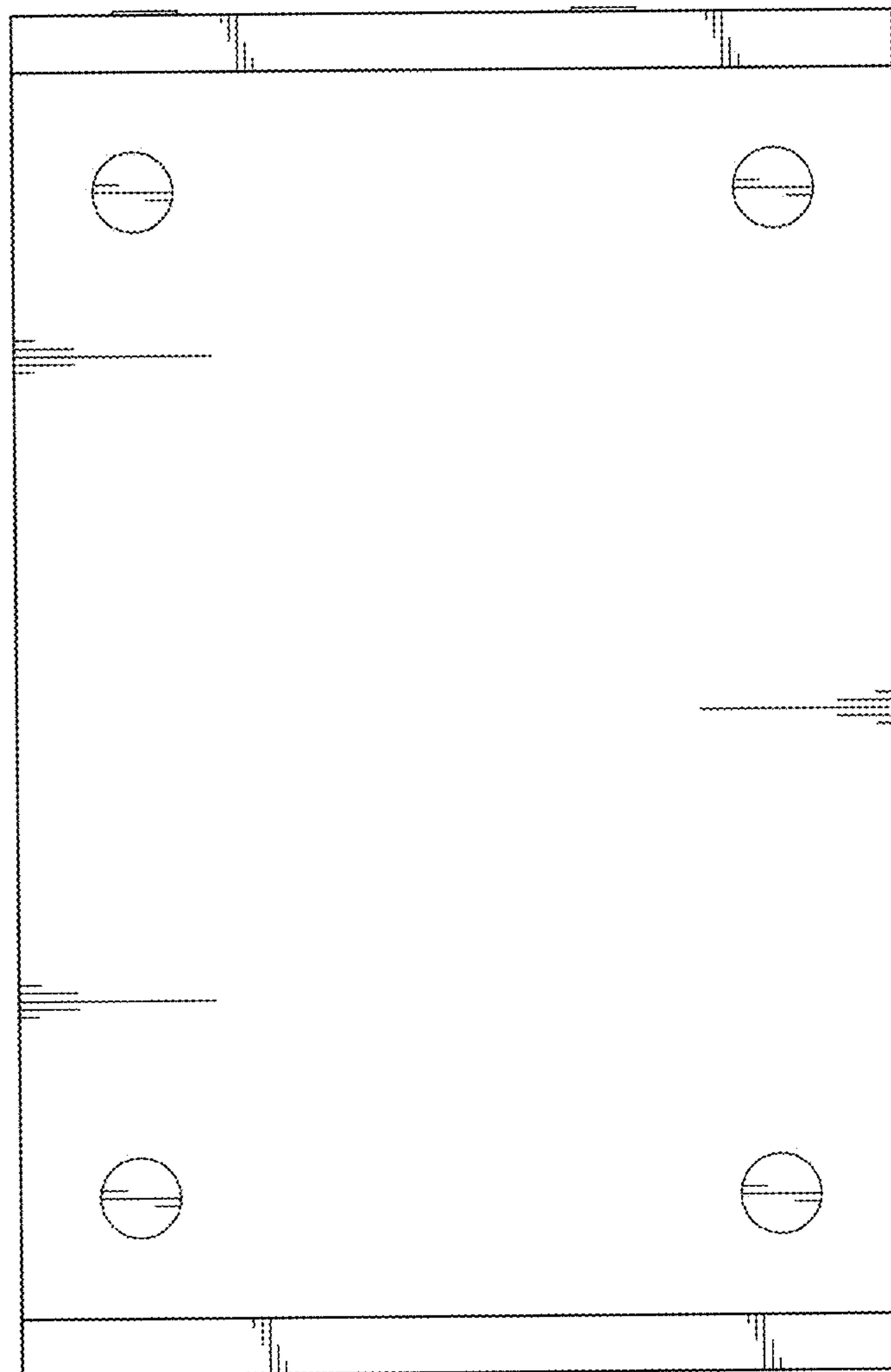


FIG. 8

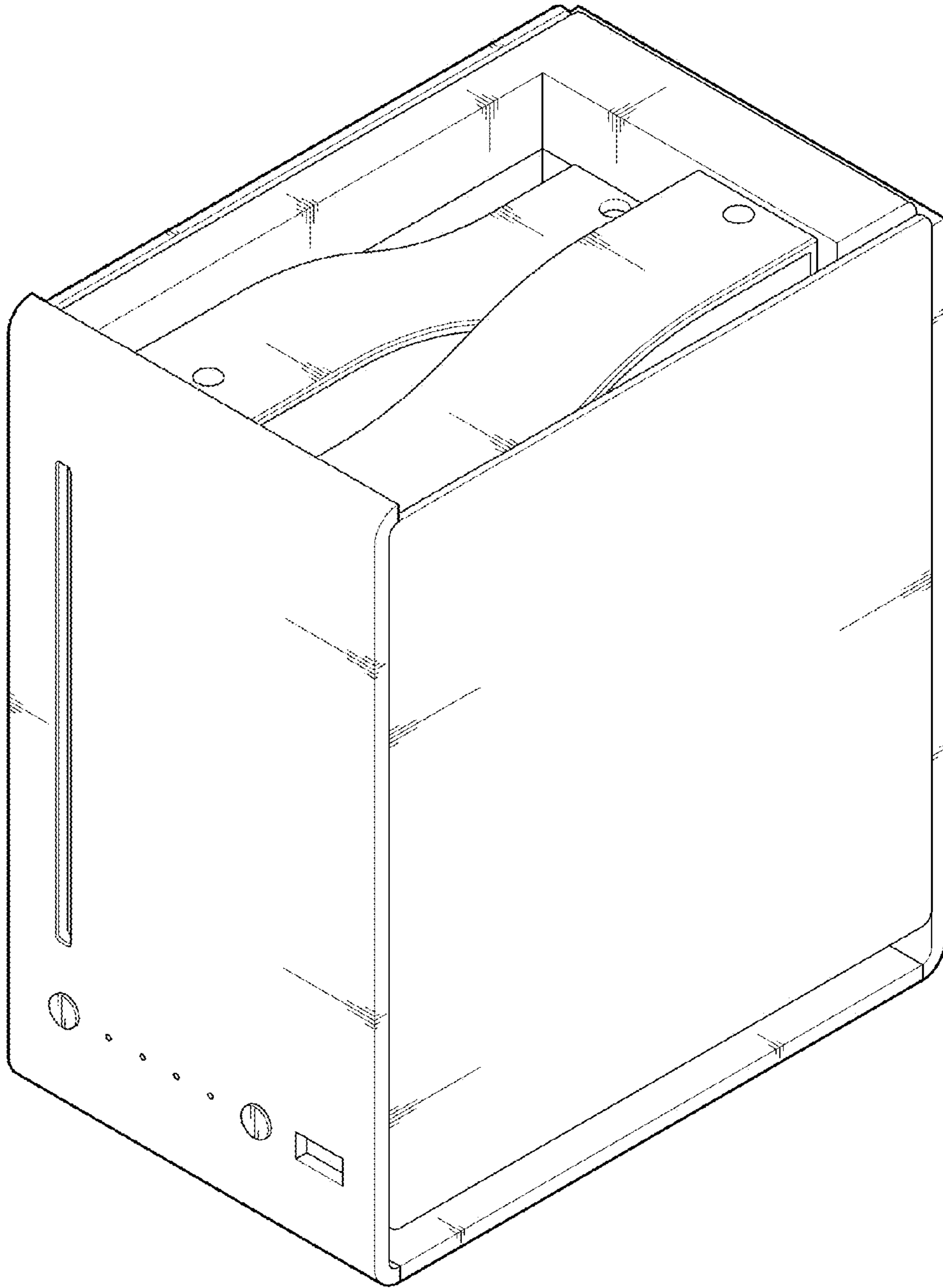


FIG. 9

