



US00D689047S

(12) **United States Design Patent**
Kinkeldey

(10) **Patent No.:** **US D689,047 S**
(45) **Date of Patent:** **** Sep. 3, 2013**

(54) **PILOT TERMINAL UNIT**

DESCRIPTION

(75) Inventor: **Marie Kinkeldey**, Singapore (SG)
(73) Assignee: **Flight Focus Pte. Ltd.**, Singapore (SG)
(**) Term: **14 Years**
(21) Appl. No.: **29/369,453**
(22) Filed: **Sep. 9, 2010**
(30) **Foreign Application Priority Data**
Mar. 9, 2010 (EM) 001679051
(51) **LOC (9) Cl.** **14-02**
(52) **U.S. Cl.**
USPC **D14/331**
(58) **Field of Classification Search**
USPC D14/371-376, 125-129, 336, 337,
D14/391; D12/319, 320; 341/12; 345/104,
345/156, 173, 174, 901-905; 348/180, 184,
348/325, 739; 361/679.01-679.08, 679.21;
248/286.1, 917-924; 349/1, 2, 11, 58
See application file for complete search history.

FIG. 1 is an isometric front view of the pilot terminal unit without keyboard, keyboard guides or latch attached;
FIG. 2 is an isometric back view thereof without keyboard, keyboard guides or latch attached;
FIG. 3 is a front view thereof without keyboard, keyboard guides or latch attached;
FIG. 4 is a back view thereof without keyboard, keyboard guides or latch attached;
FIG. 5 is a left side view thereof without keyboard, keyboard guides or latch attached;
FIG. 6 is a top view thereof without keyboard, keyboard guides or latch attached;
FIG. 7 is a bottom view thereof without keyboard, keyboard guides or latch attached;
FIG. 8 is an isometric front view of the keyboard thereof shown separately for clarity of illustration only;
FIG. 9 is an isometric back view of the keyboard thereof;
FIG. 10 is a front view of the keyboard thereof;
FIG. 11 is a back view of the keyboard thereof;
FIG. 12 is a left side view of the keyboard thereof;
FIG. 13 is a top view of the keyboard thereof;
FIG. 14 is a bottom view of the keyboard thereof;
FIG. 15 is an isometric front view thereof with keyboard, keyboard guides and latch attached;
FIG. 16 is an isometric back view thereof with keyboard, keyboard guides and latch attached;
FIG. 17 is a front view thereof with keyboard, keyboard guides and latch attached;
FIG. 18 is a back view thereof with keyboard, keyboard guides and latch attached;
FIG. 19 is a left side view thereof with keyboard, keyboard guides and latch attached;
FIG. 20 is a top view thereof with keyboard, keyboard guides and latch attached;
FIG. 21 is a bottom view thereof with keyboard, keyboard guides and latch attached;
FIG. 22 is an isometric front view thereof with keyboard guides and latch (but not keyboard) attached;
FIG. 23 is an isometric back view thereof with keyboard guides and latch (but not keyboard) attached;

(56) **References Cited**

U.S. PATENT DOCUMENTS

6,560,093 B1 * 5/2003 McLeod et al. 361/679.6
D494,174 S * 8/2004 Hsu Li D14/374
D536,338 S * 2/2007 Skinner et al. D14/391
D539,797 S * 4/2007 Chiang et al. D14/337
D556,200 S * 11/2007 Su et al. D14/391
D569,373 S * 5/2008 Lee et al. D14/341
D606,536 S * 12/2009 Smith et al. D14/336
D608,781 S * 1/2010 Wada D14/371
2010/0116560 A1 * 5/2010 Sato 178/18.01

* cited by examiner

Primary Examiner — Freda S Nunn
(74) *Attorney, Agent, or Firm* — John P. Young

(57) **CLAIM**

The ornamental design for a pilot terminal unit, as shown and described.

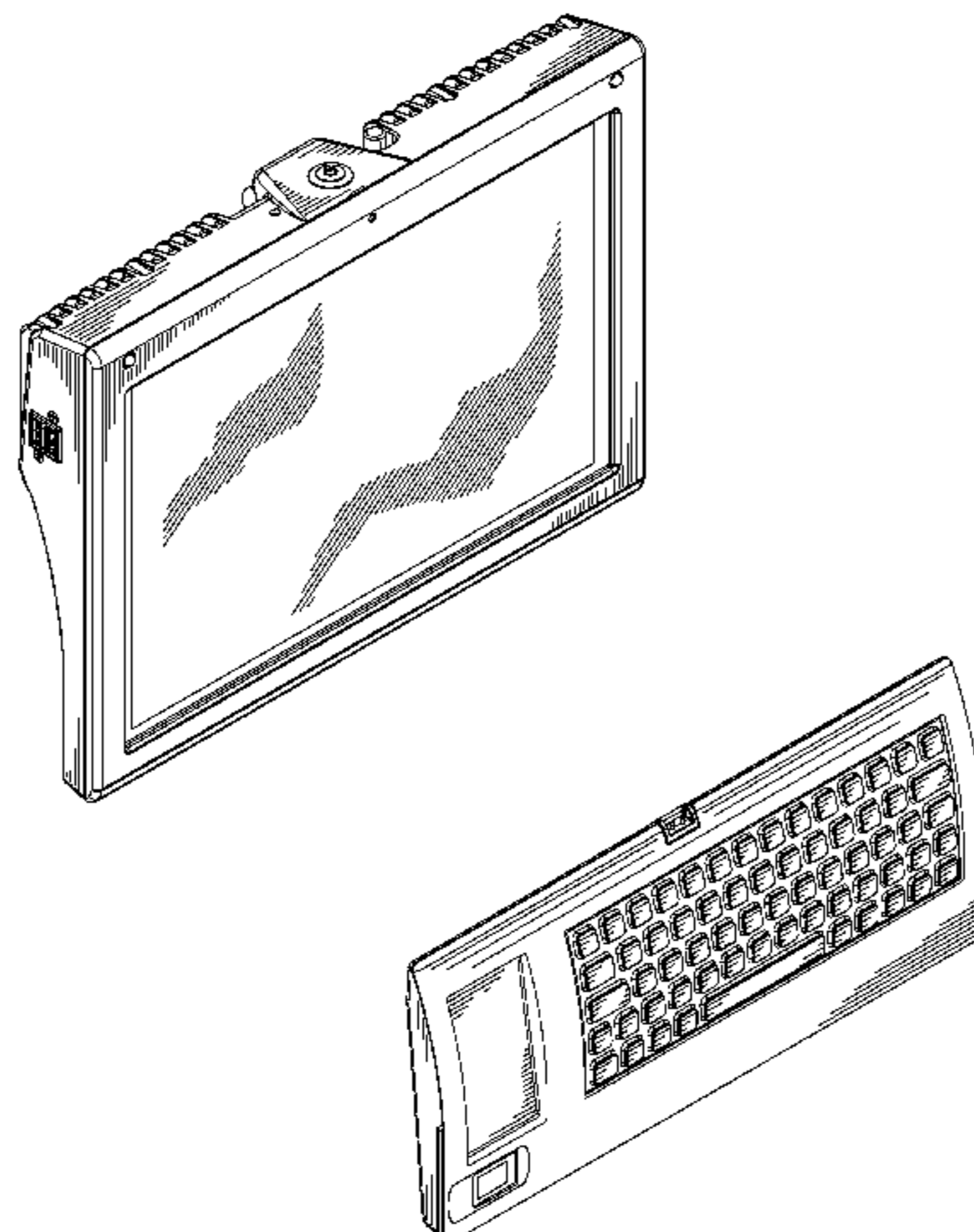


FIG. **24** is a front view thereof with keyboard guides and latch (but not keyboard) attached;

FIG. **25** is a back view thereof with keyboard guides and latch (but not keyboard) attached;

FIG. **26** is a left side view thereof with keyboard guides and latch (but not keyboard) attached;

FIG. **27** is a top view thereof with keyboard guides and latch (but not keyboard) attached;

FIG. **28** is a bottom view thereof with keyboard guides and latch (but not keyboard) attached;

FIG. **29** is an isometric front view thereof with keyboard partly inserted;

FIG. **30** is an isometric back view thereof with keyboard partly inserted;

FIG. **31** is a front view thereof with keyboard partly inserted;

FIG. **32** is a back view thereof with keyboard partly inserted;

FIG. **33** is a left side view thereof with keyboard partly inserted;

FIG. **34** is a top view thereof with keyboard partly inserted;

and,

FIG. **35** is a bottom view thereof with keyboard partly inserted.

1 Claim, 30 Drawing Sheets

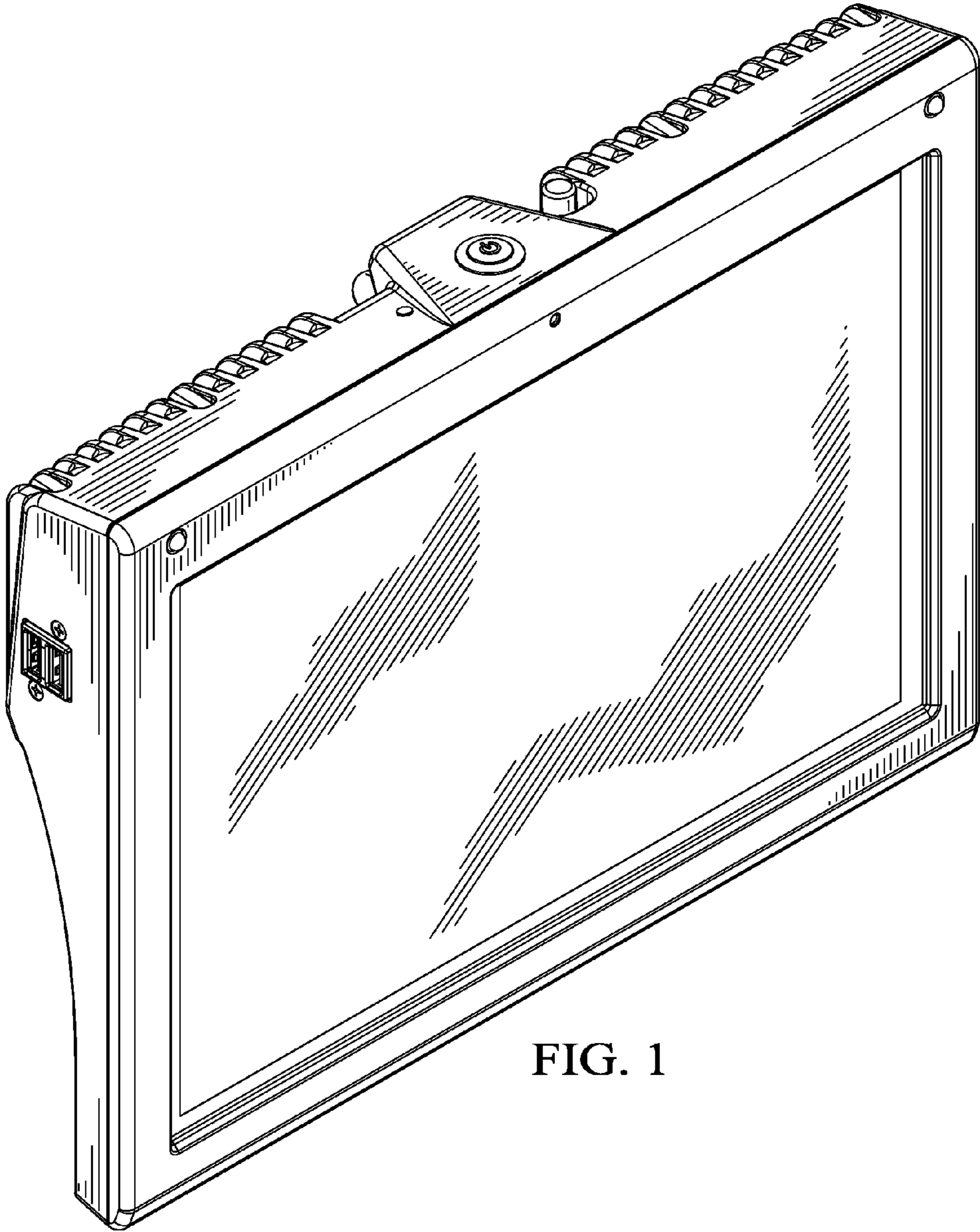


FIG. 1

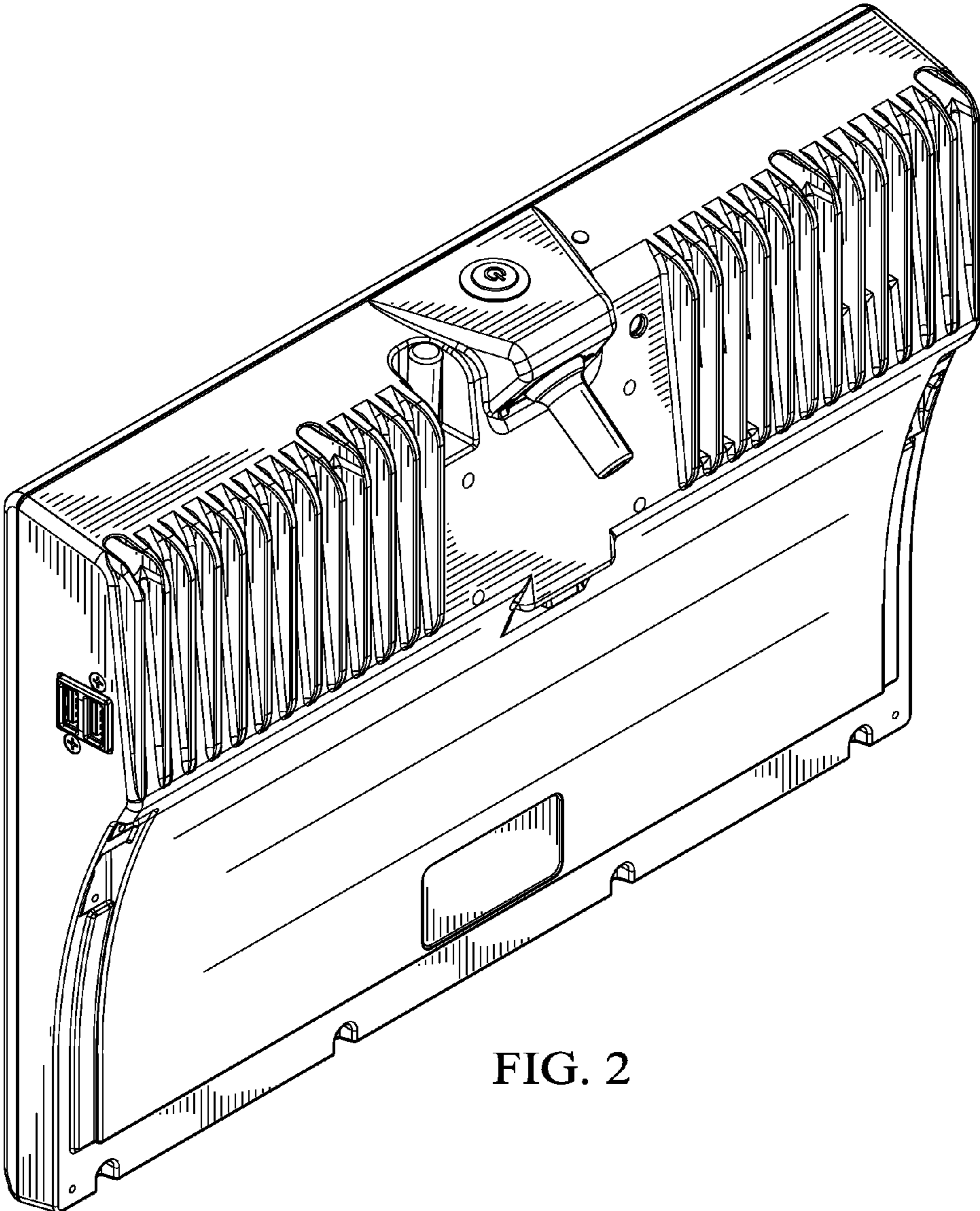


FIG. 2

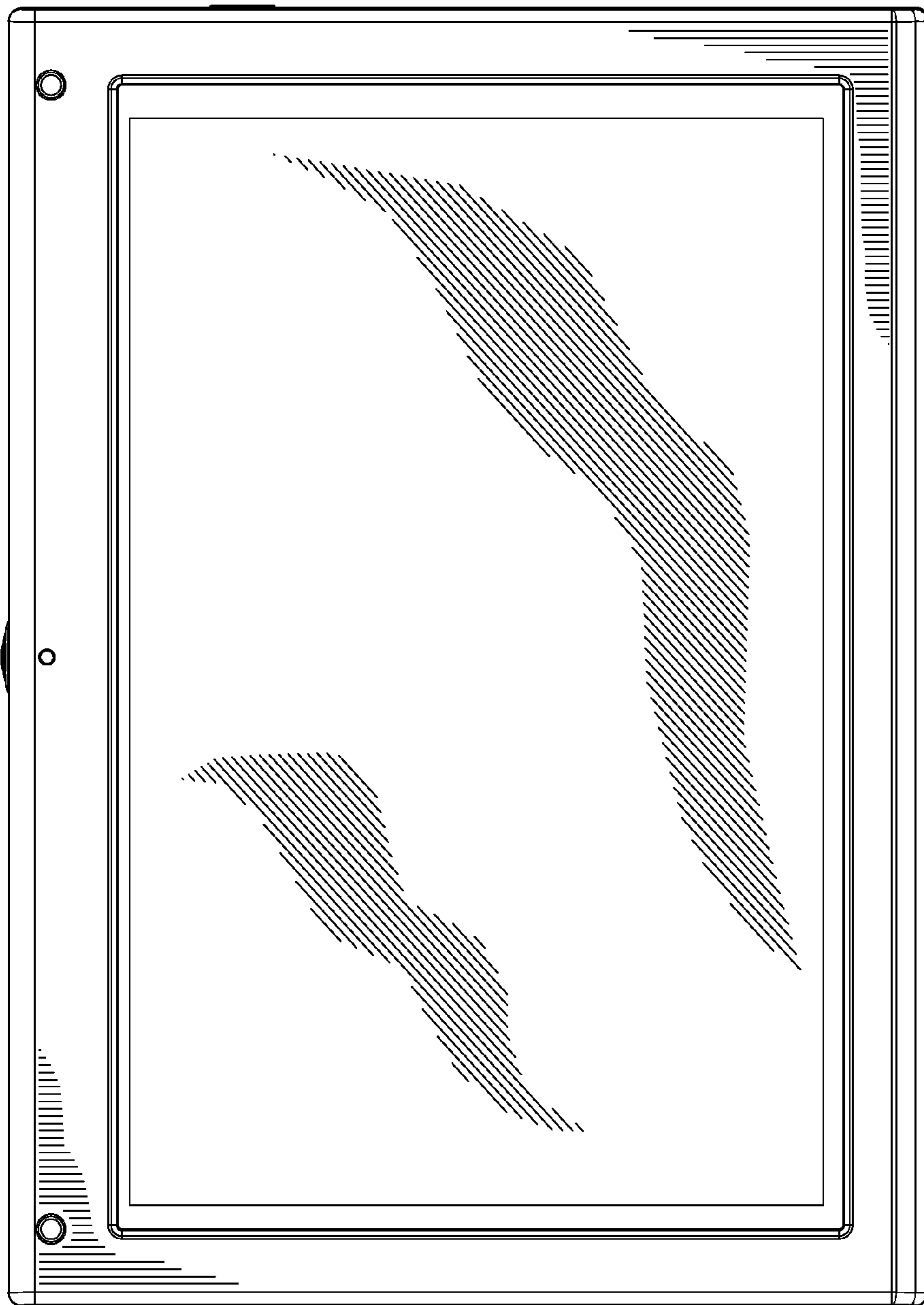


FIG. 3

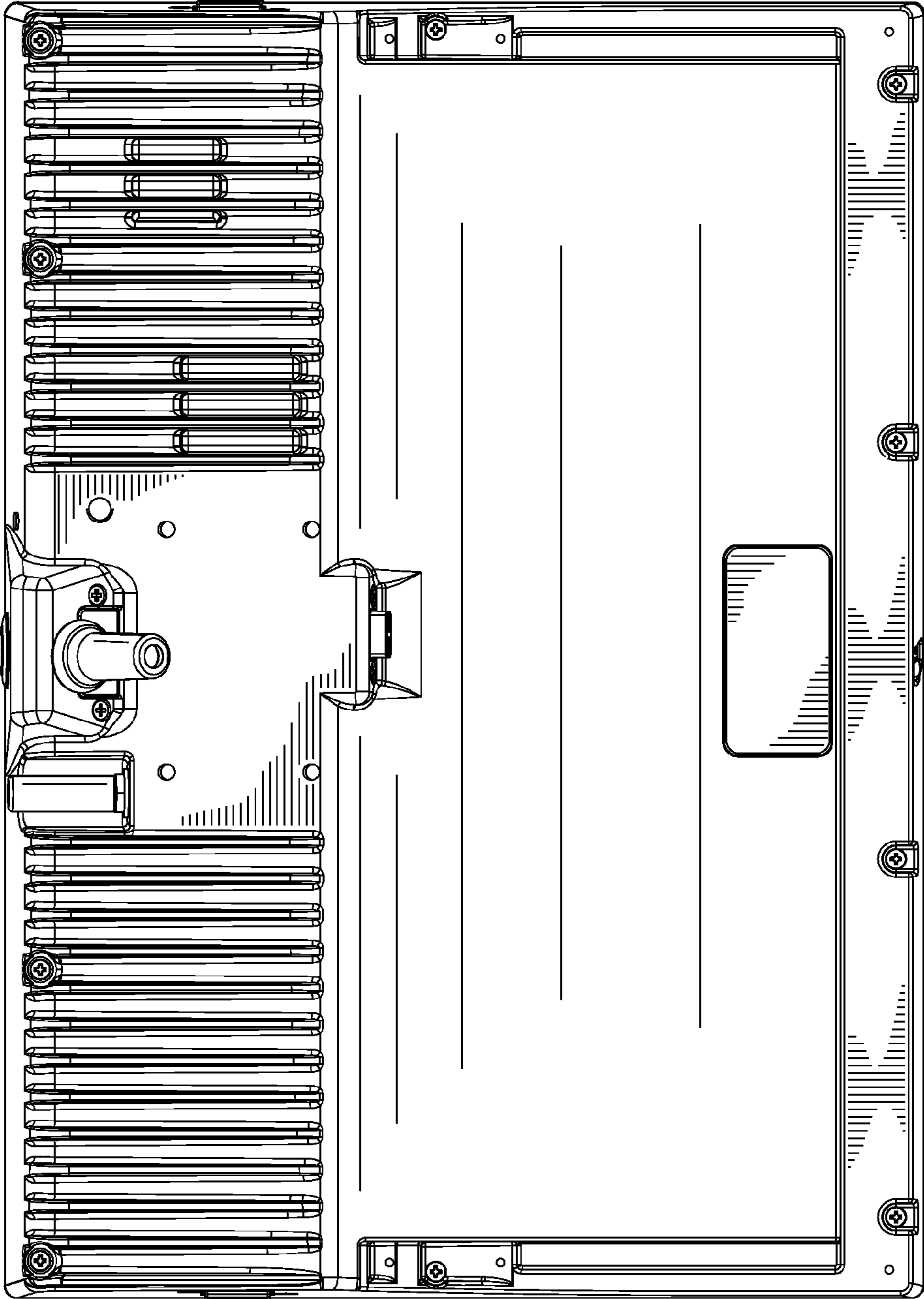


FIG. 4

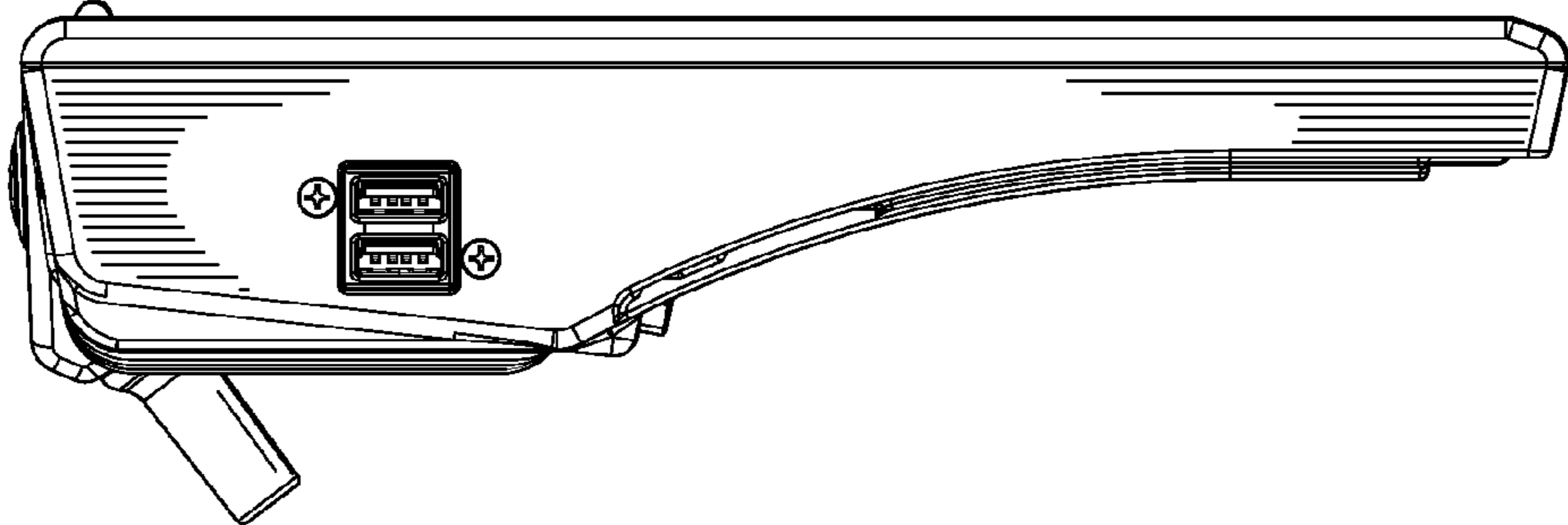


FIG. 5

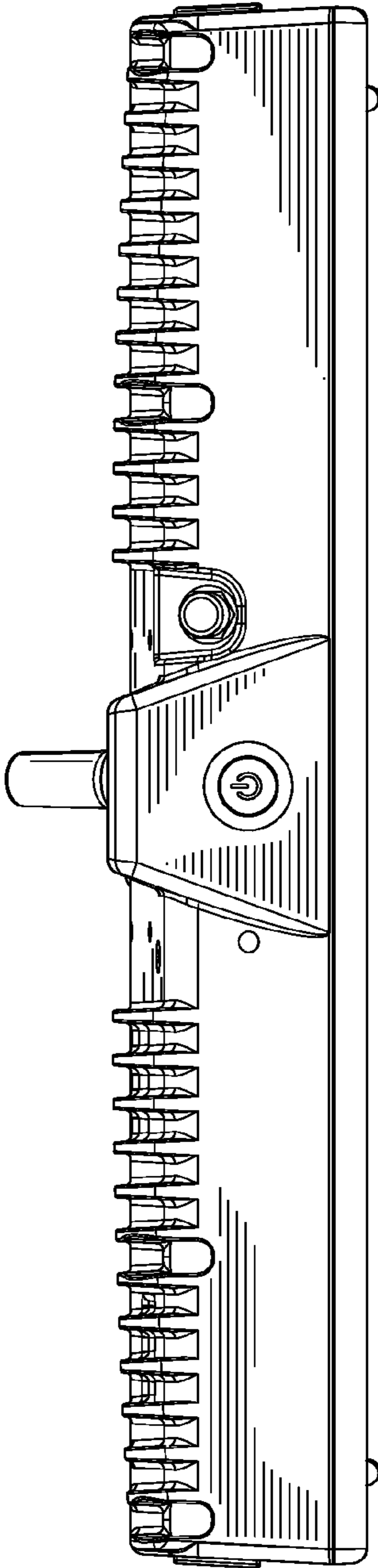


FIG. 6

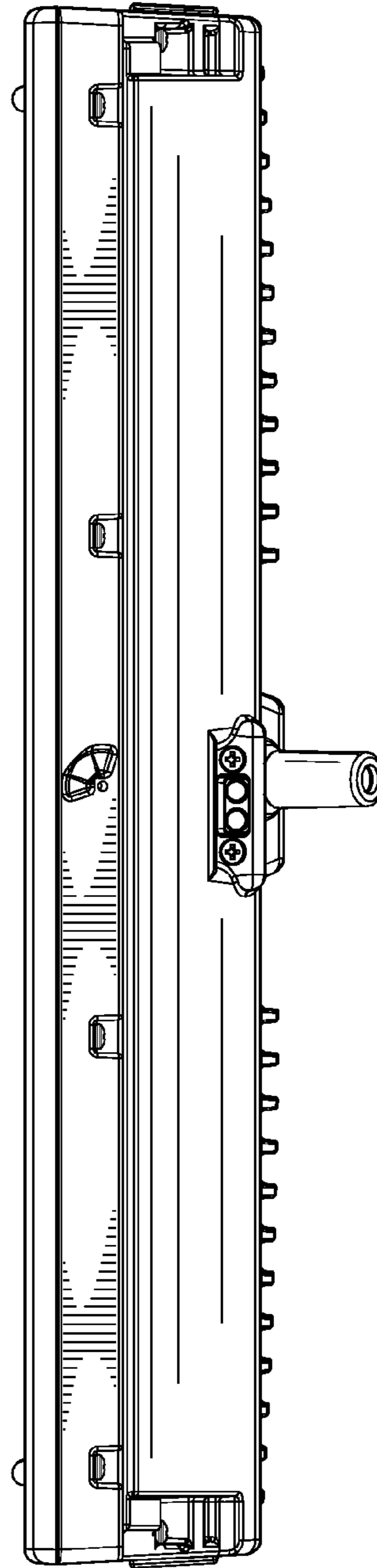


FIG. 7

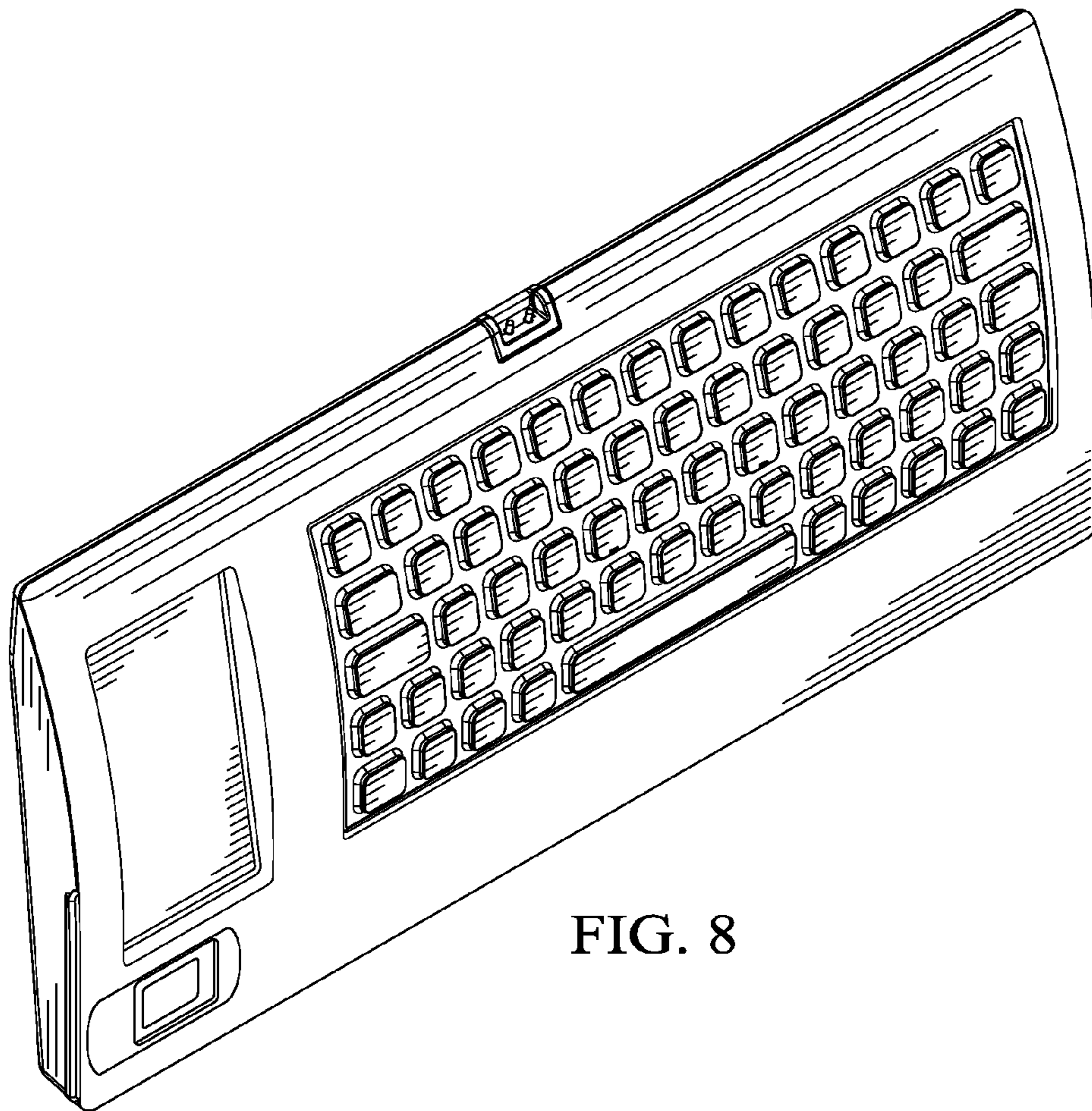


FIG. 8

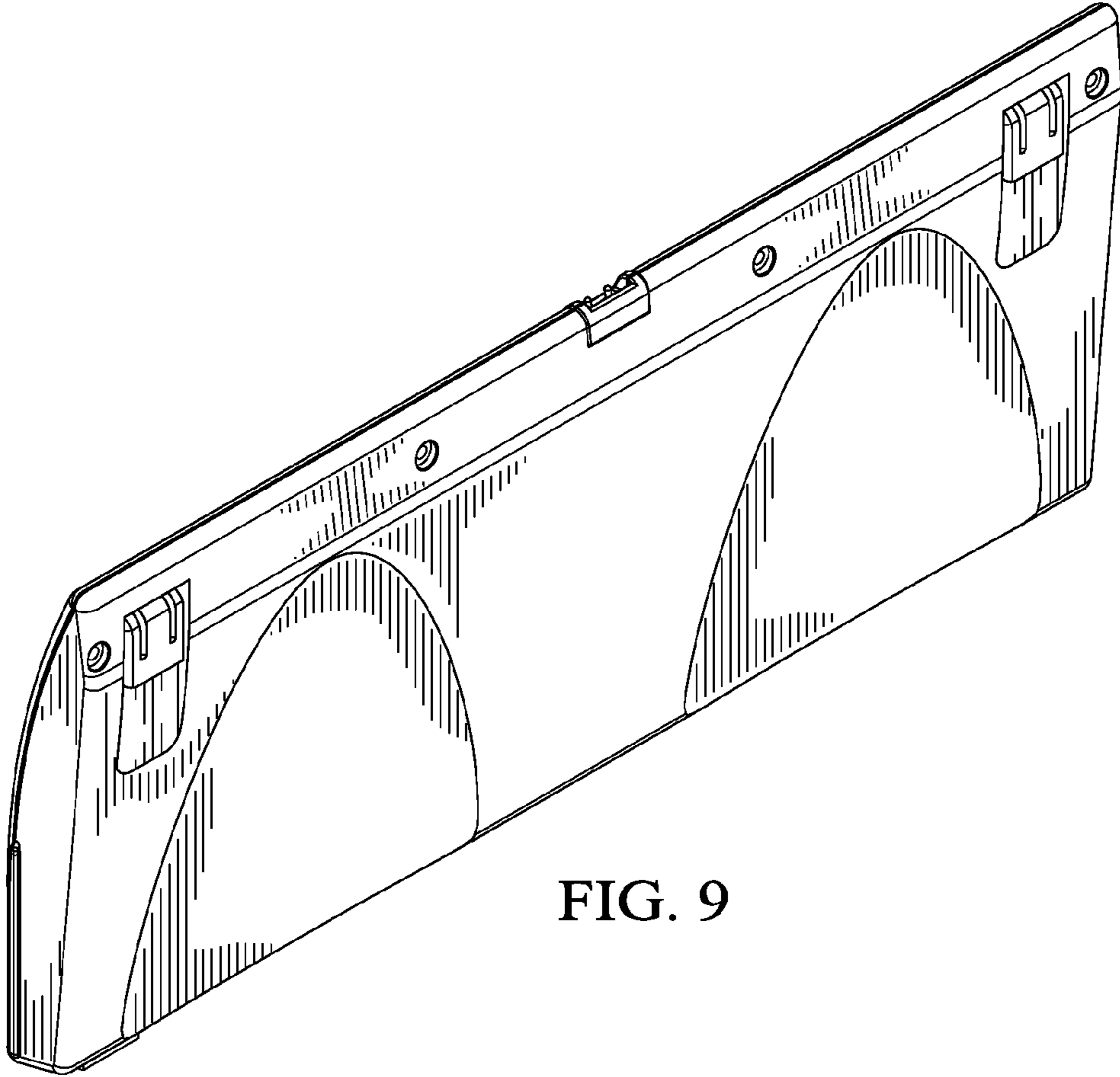


FIG. 9

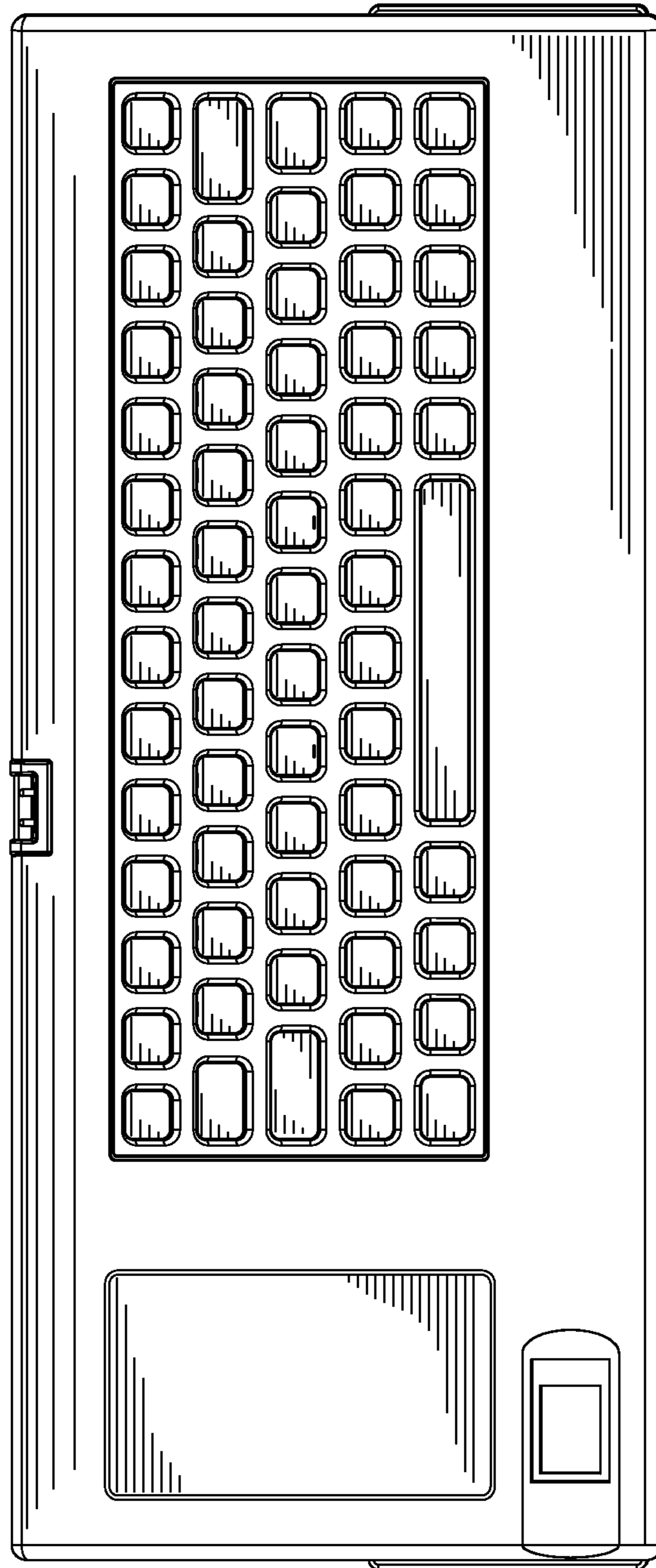


FIG. 10

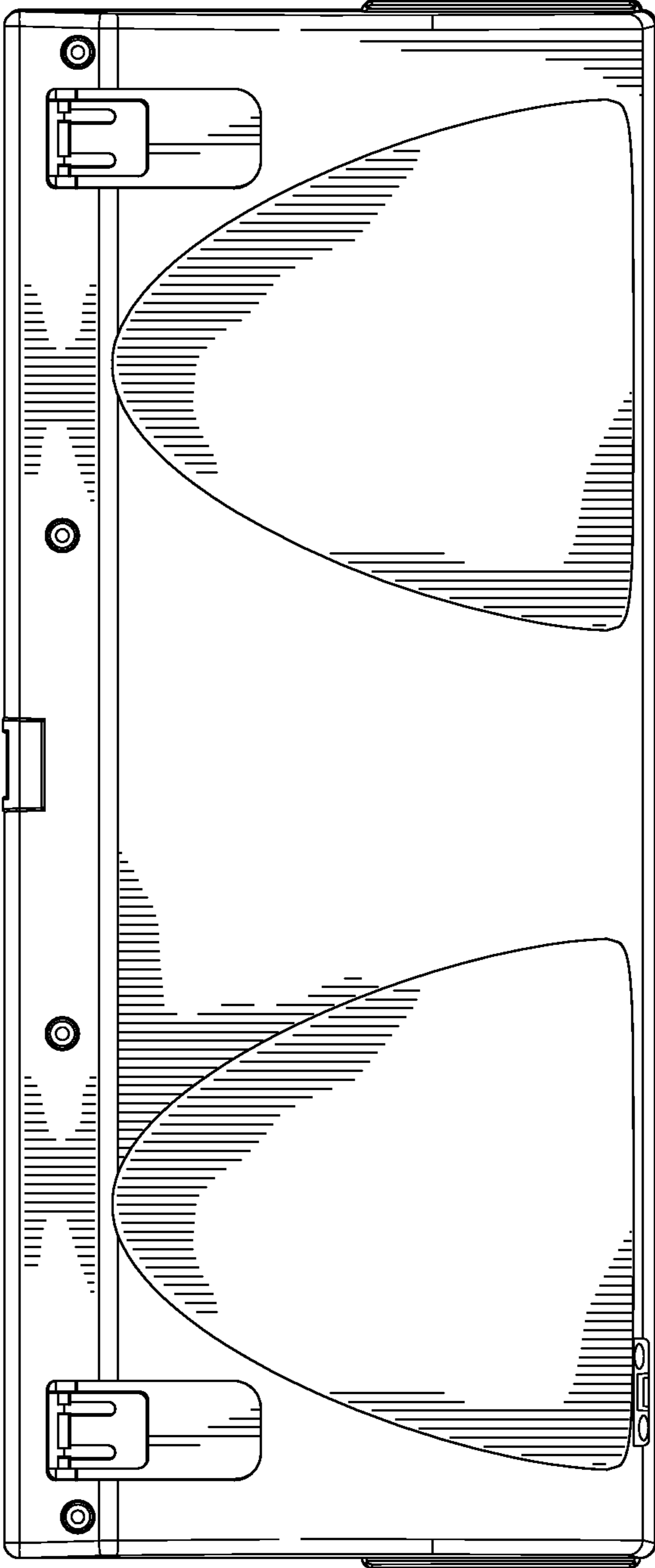


FIG. 11

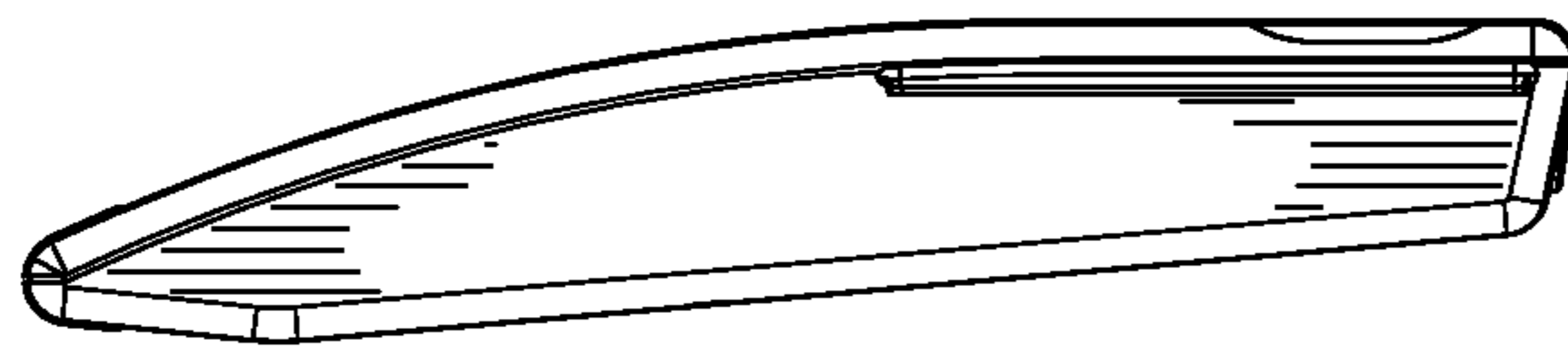


FIG. 12

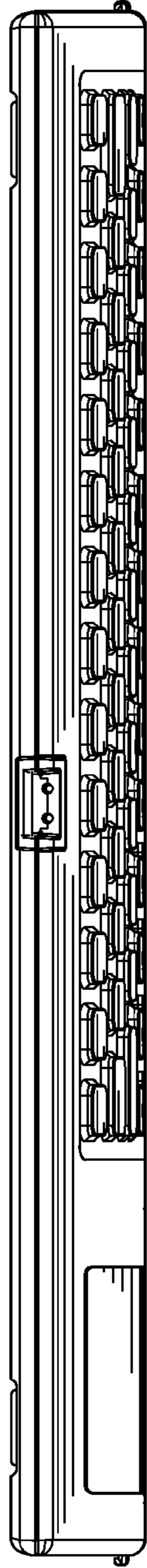


FIG. 13

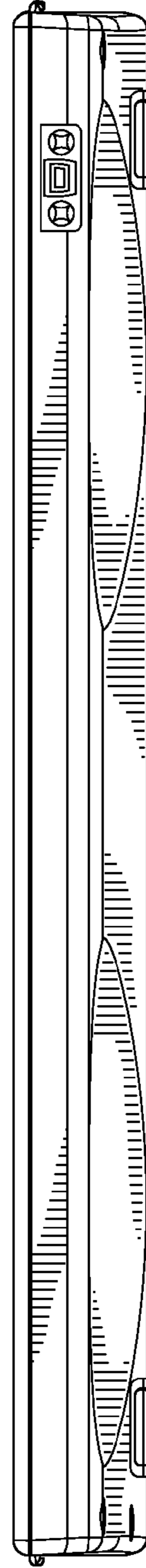


FIG. 14

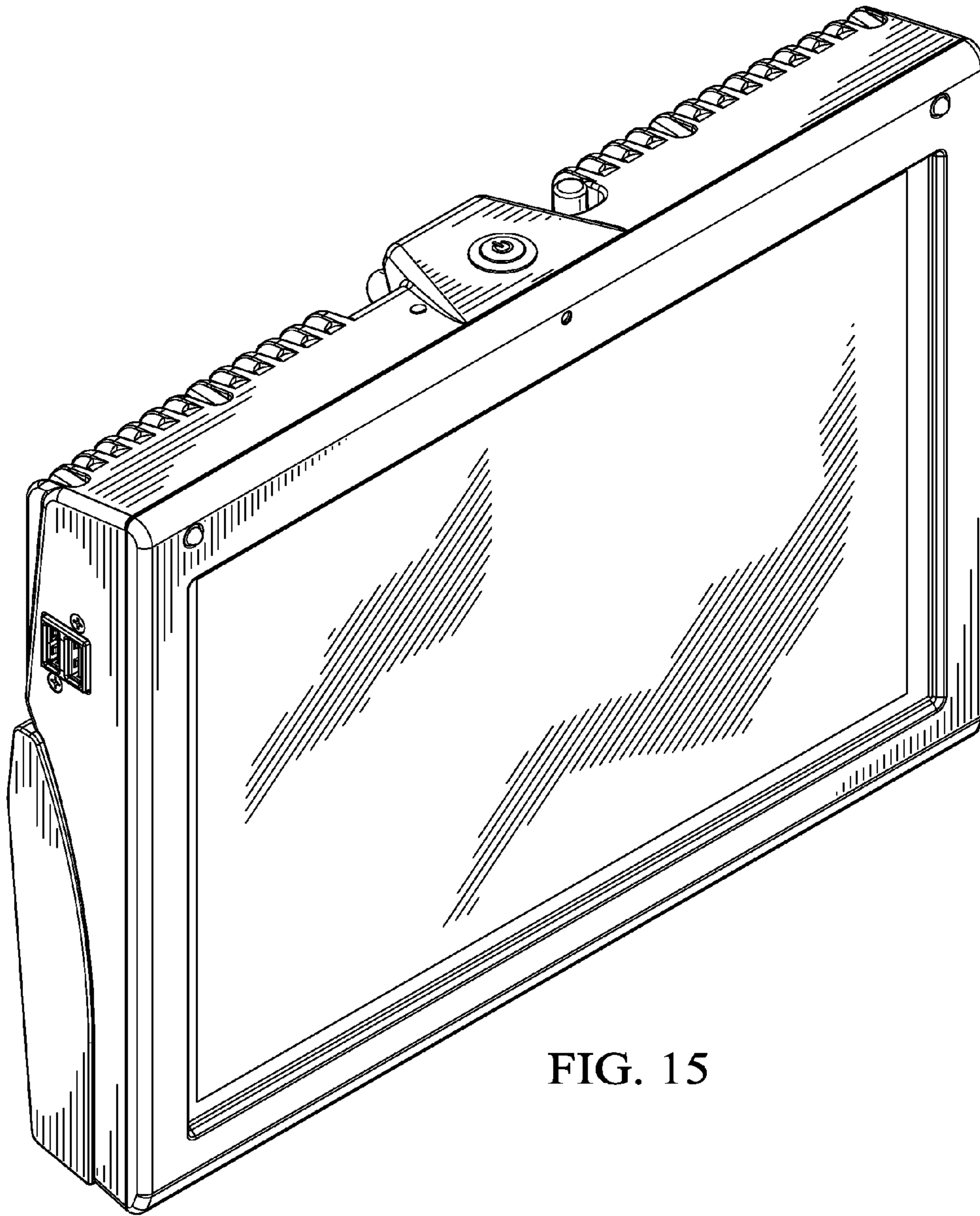


FIG. 15

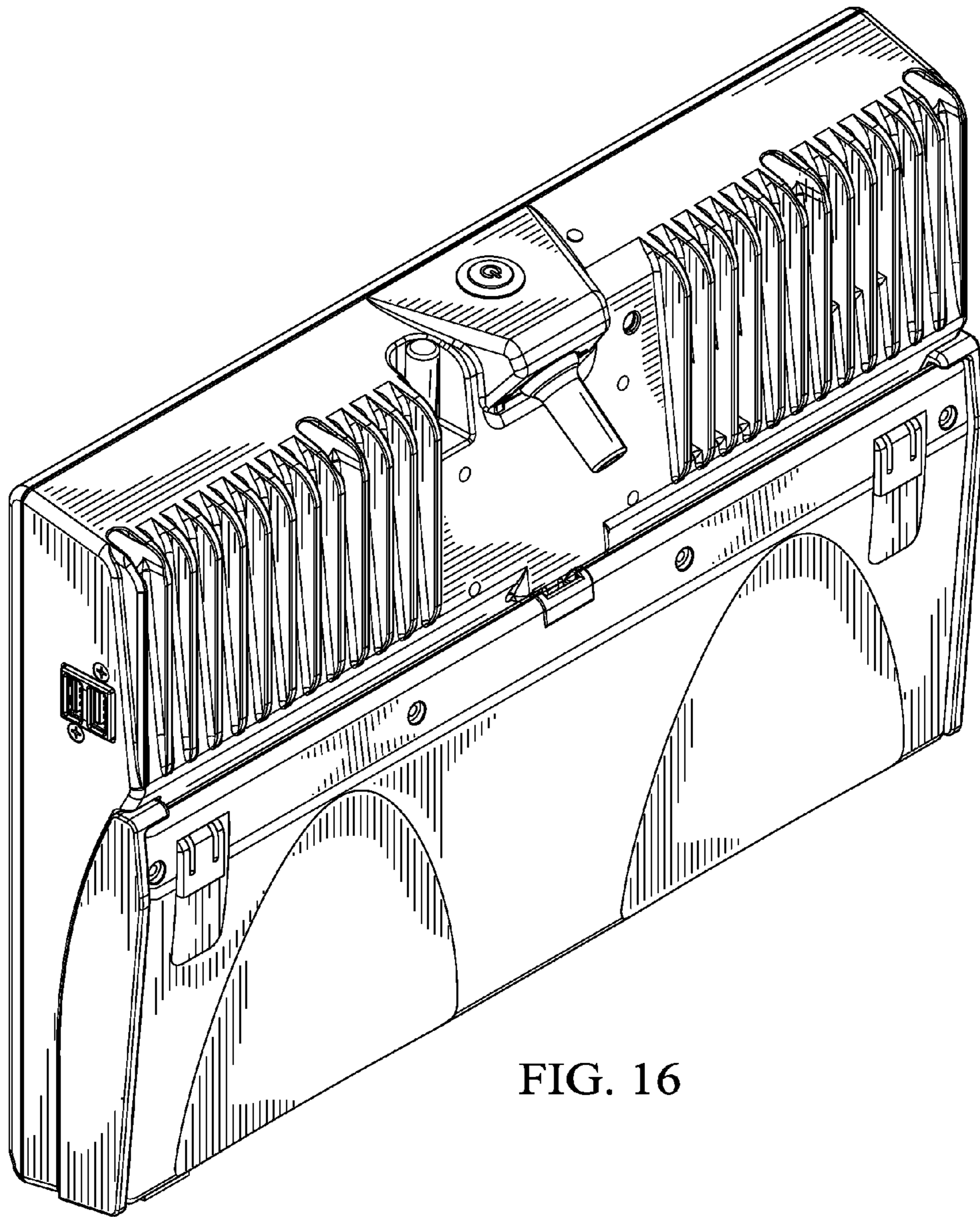


FIG. 16

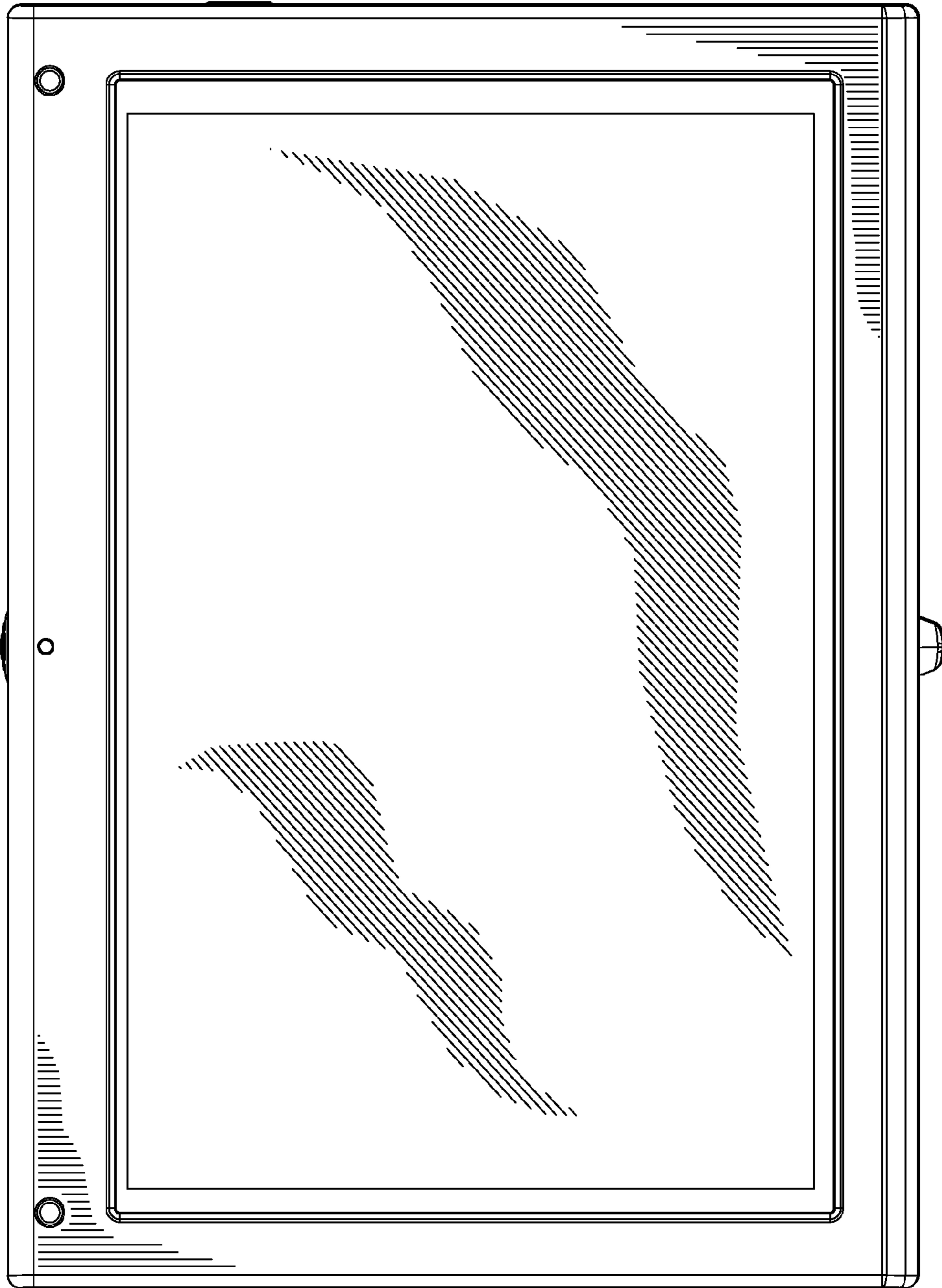


FIG. 17

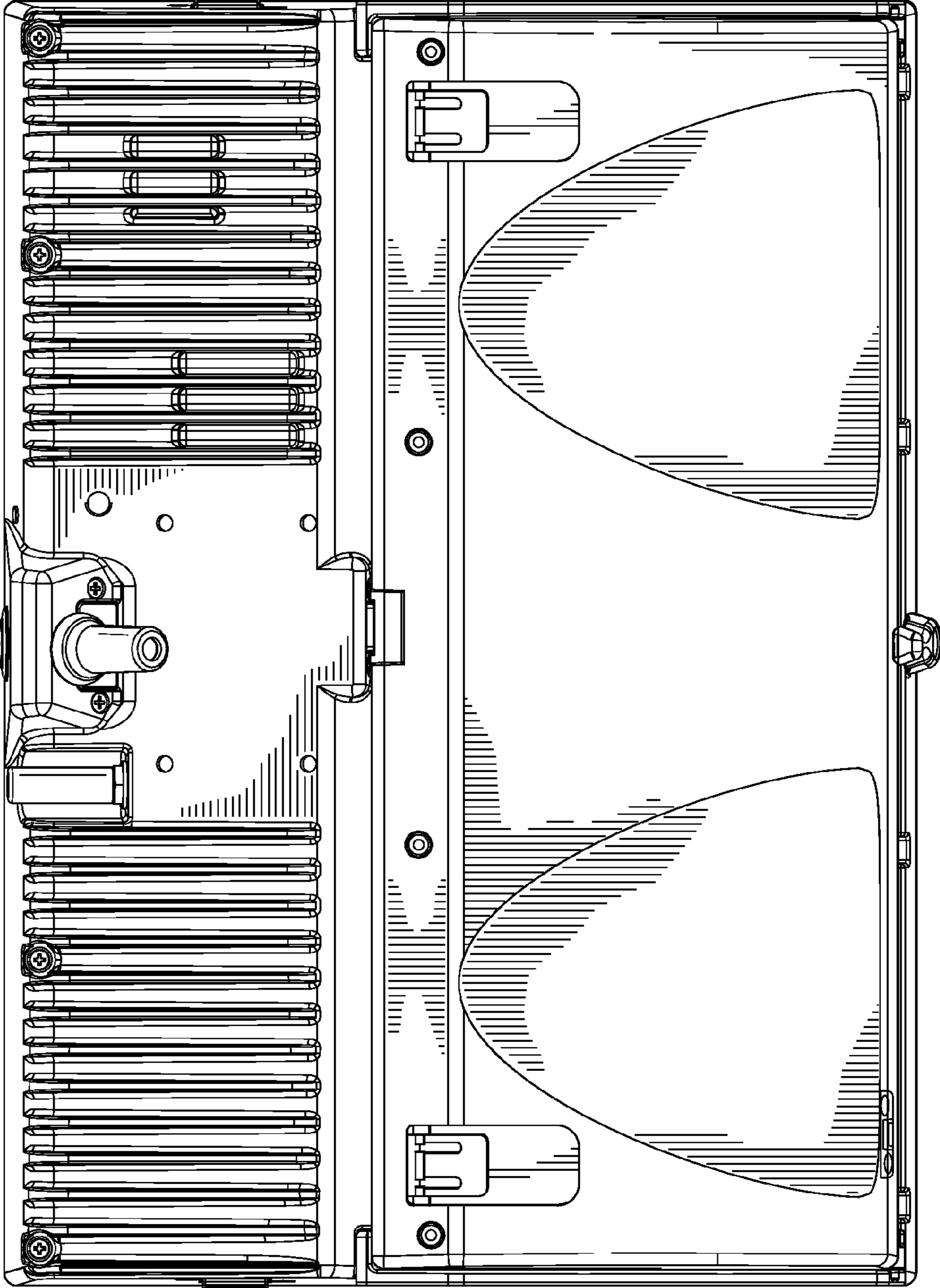


FIG. 18

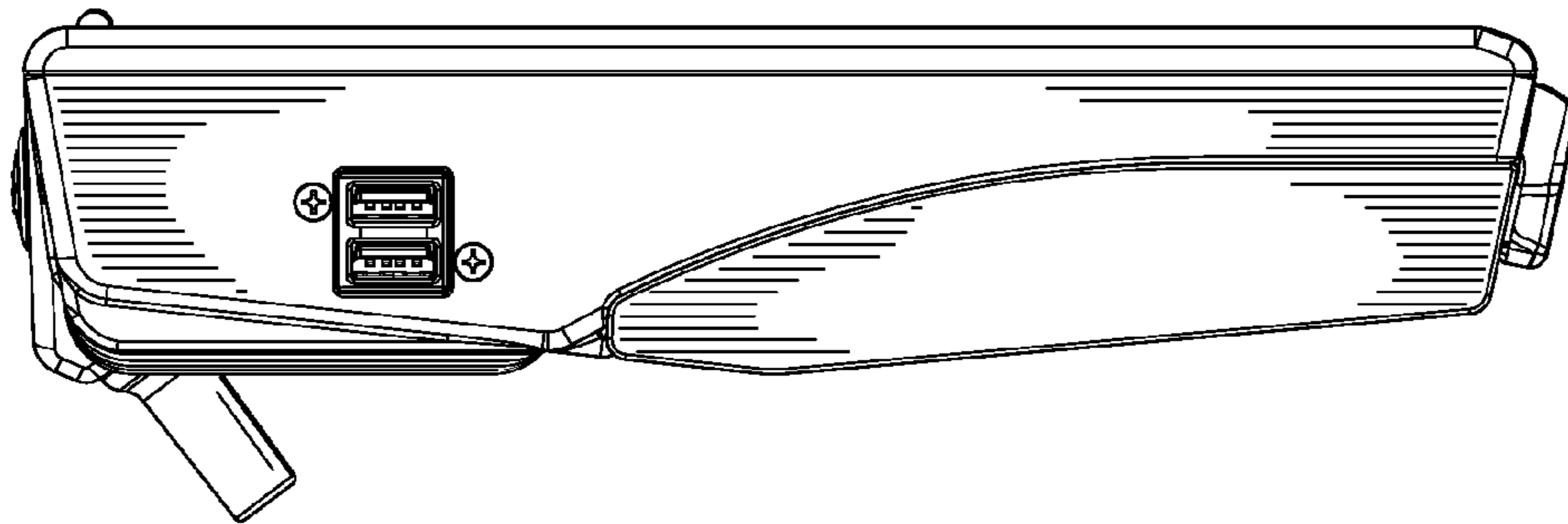


FIG. 19

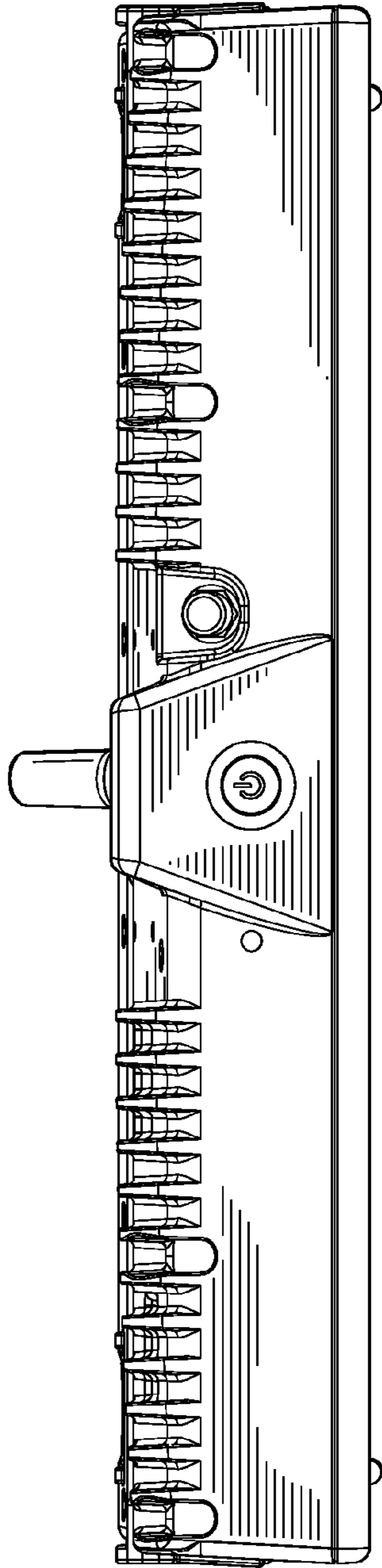


FIG. 20

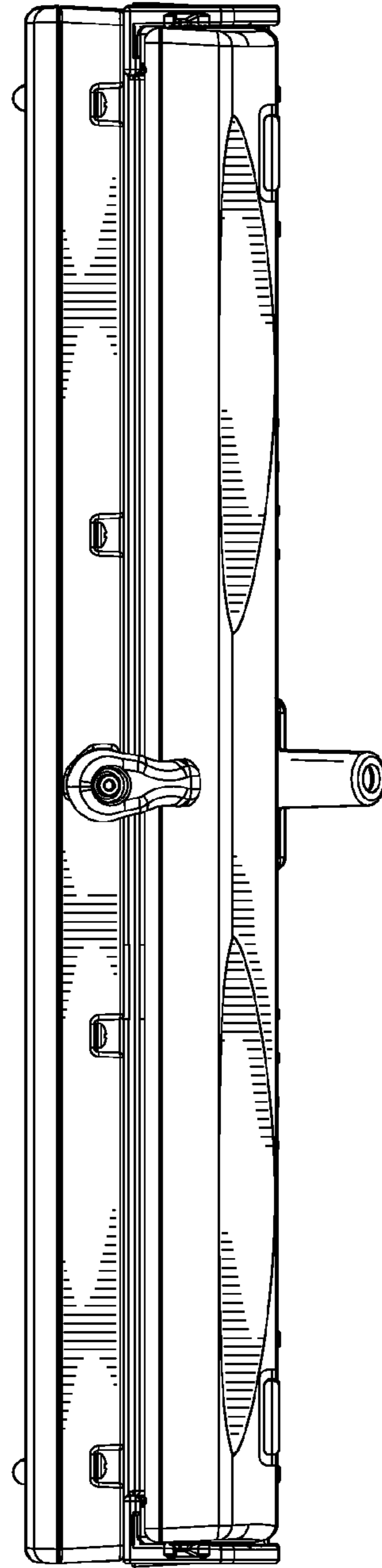


FIG. 21

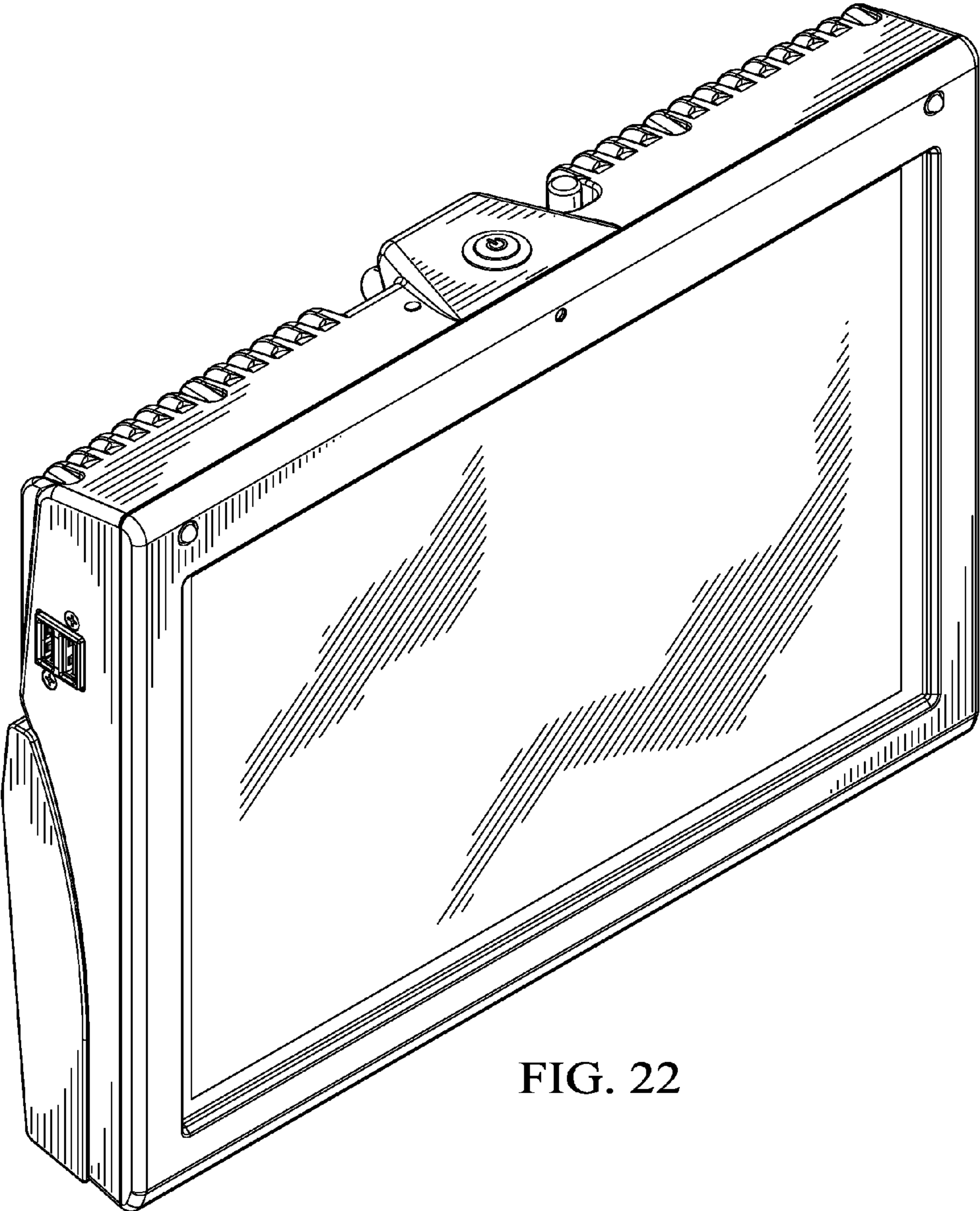


FIG. 22

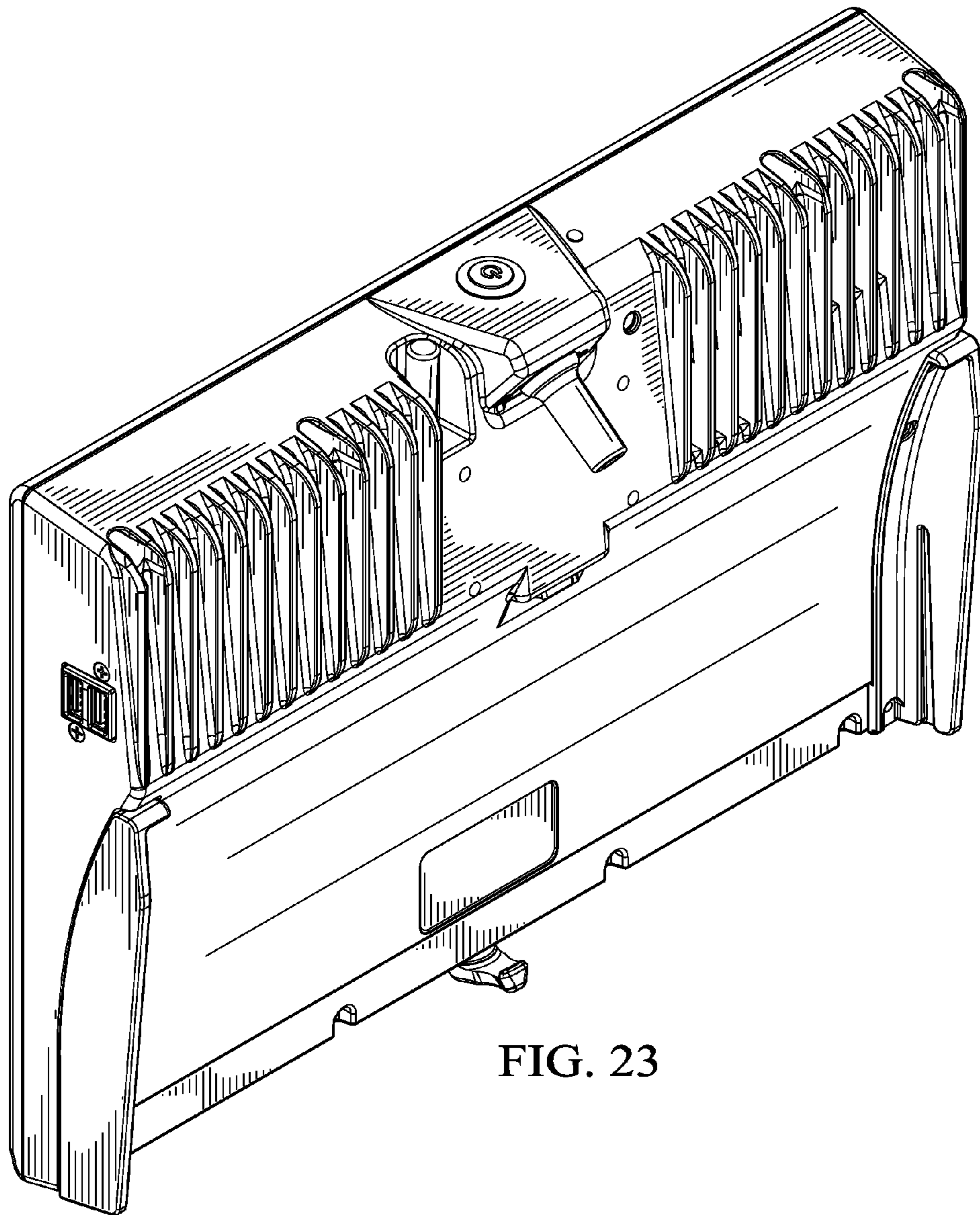


FIG. 23

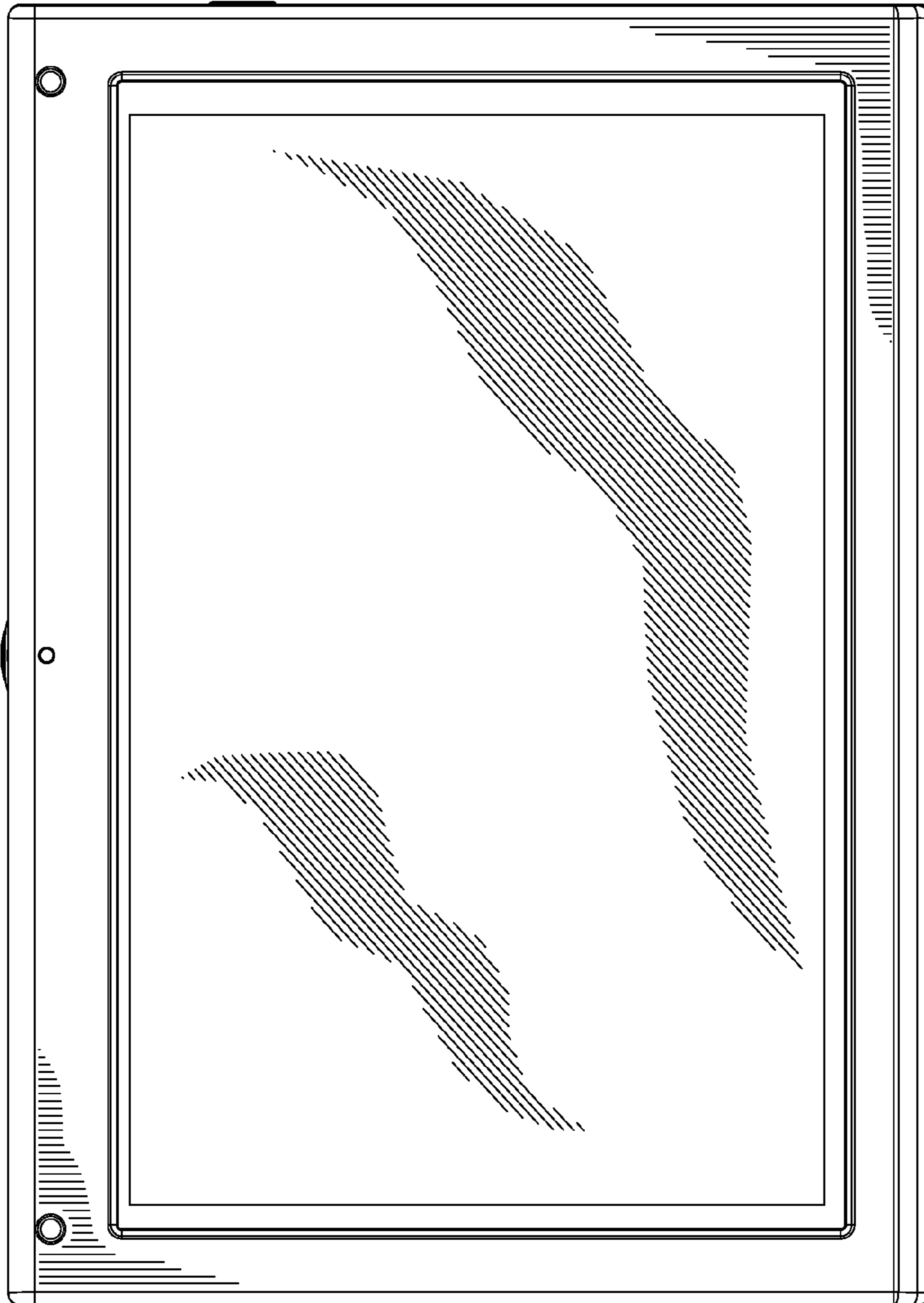


FIG. 24

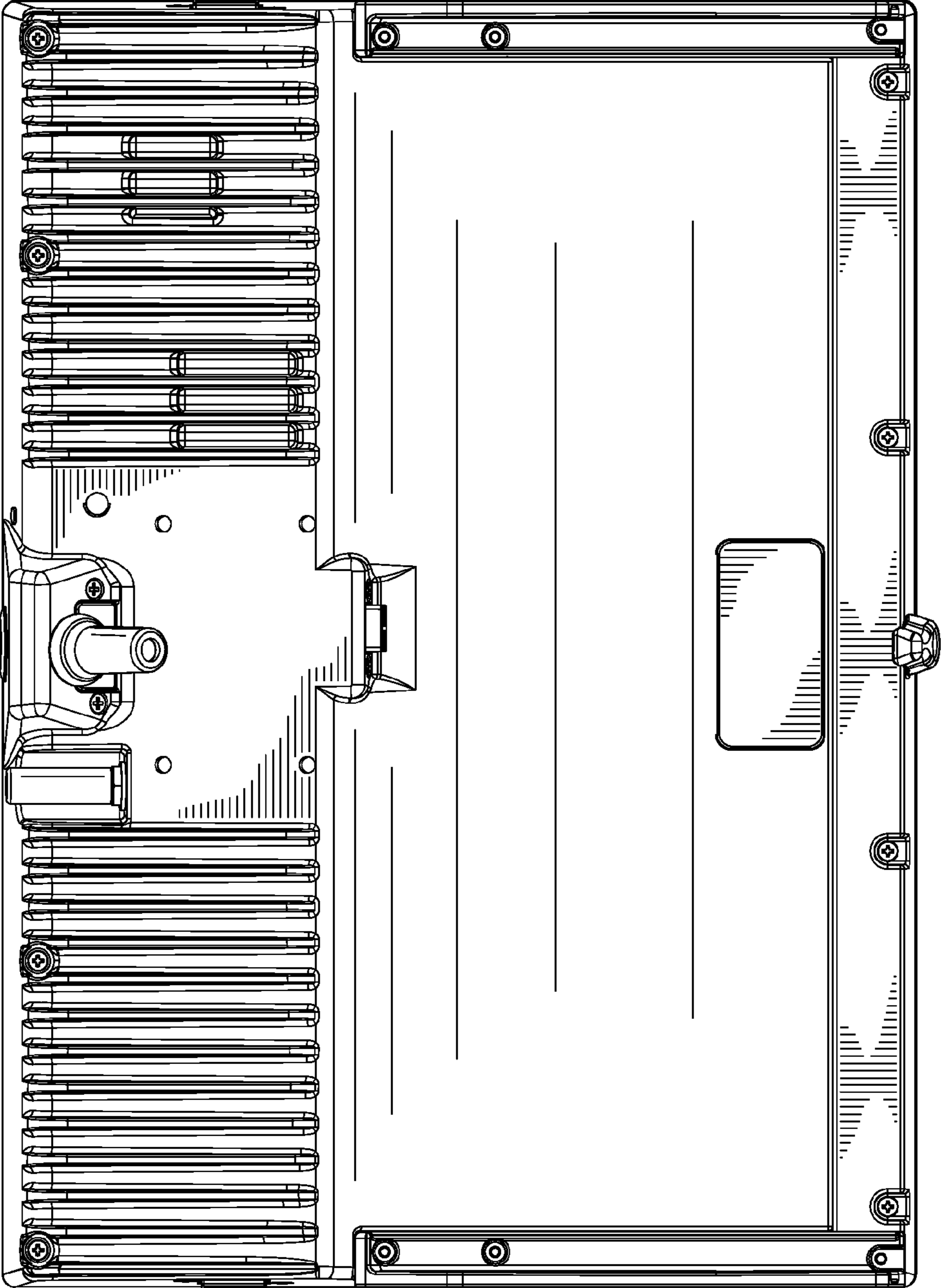


FIG. 25

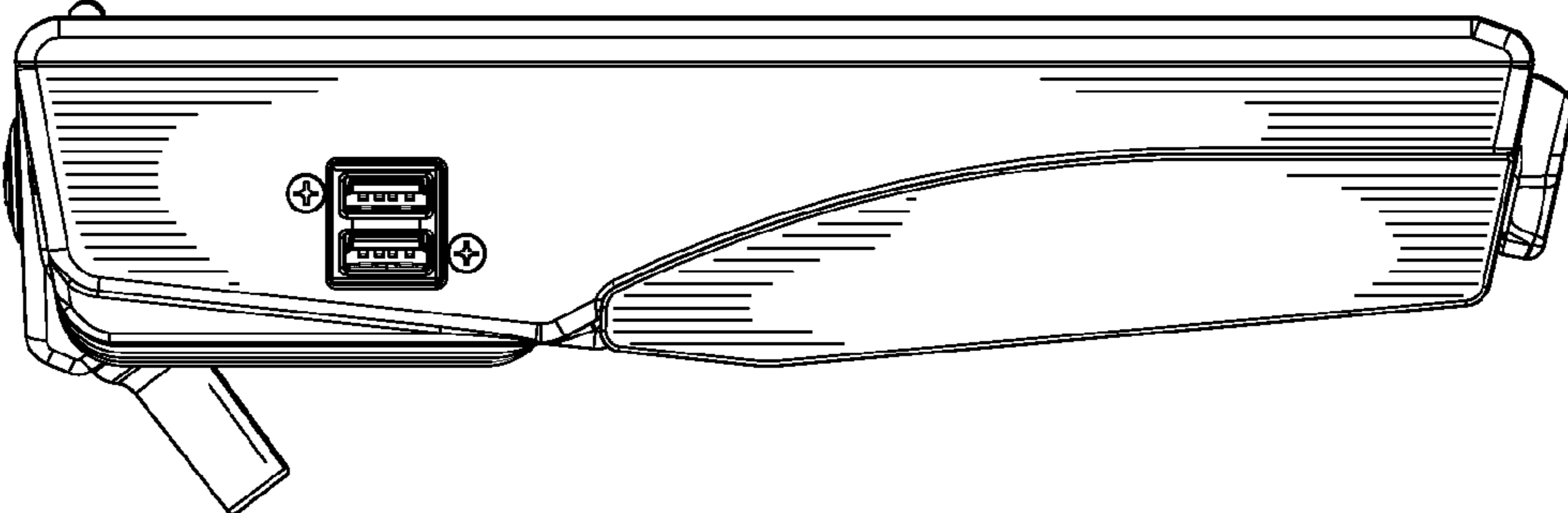


FIG. 26

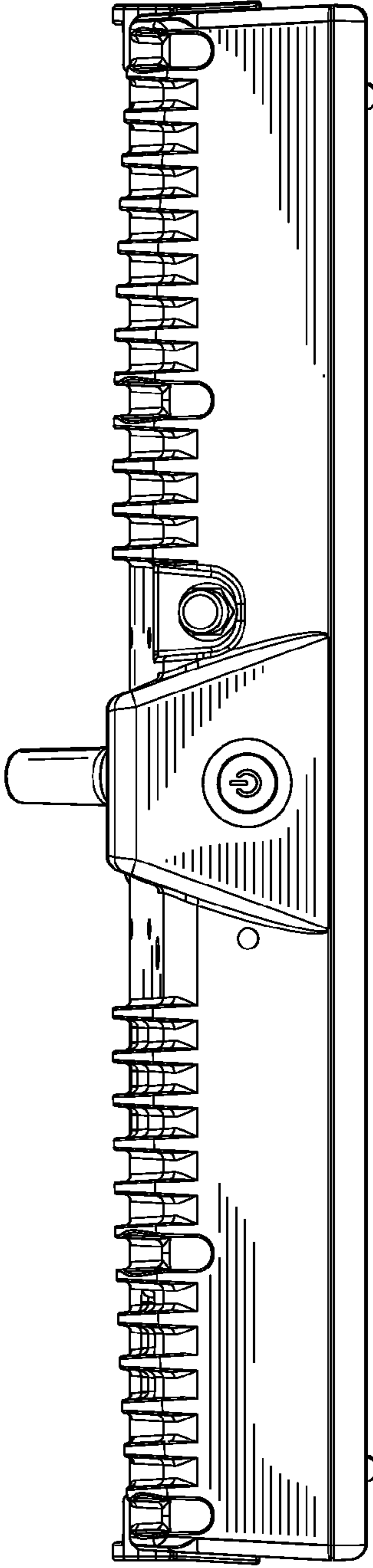


FIG. 27

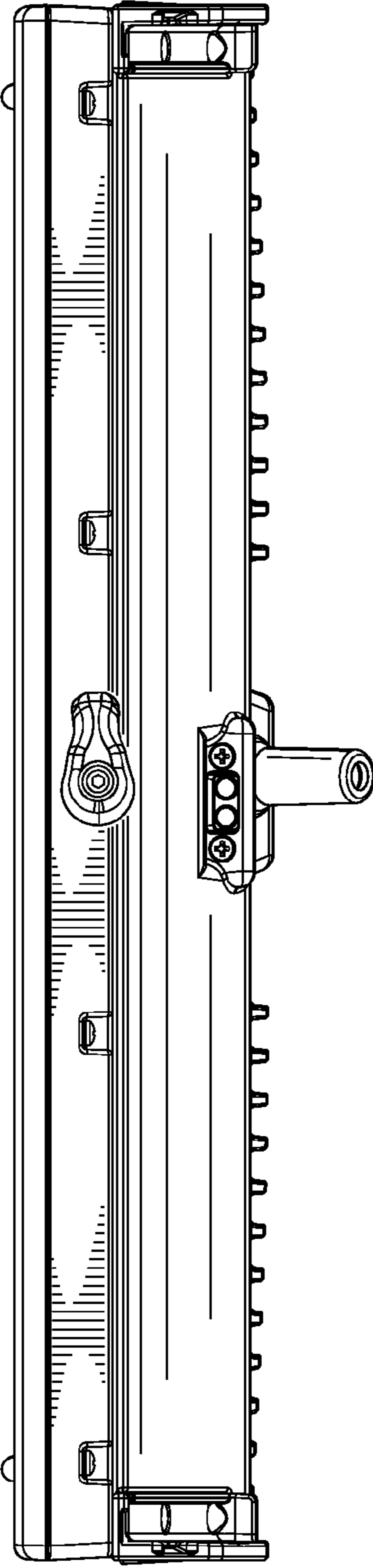


FIG. 28

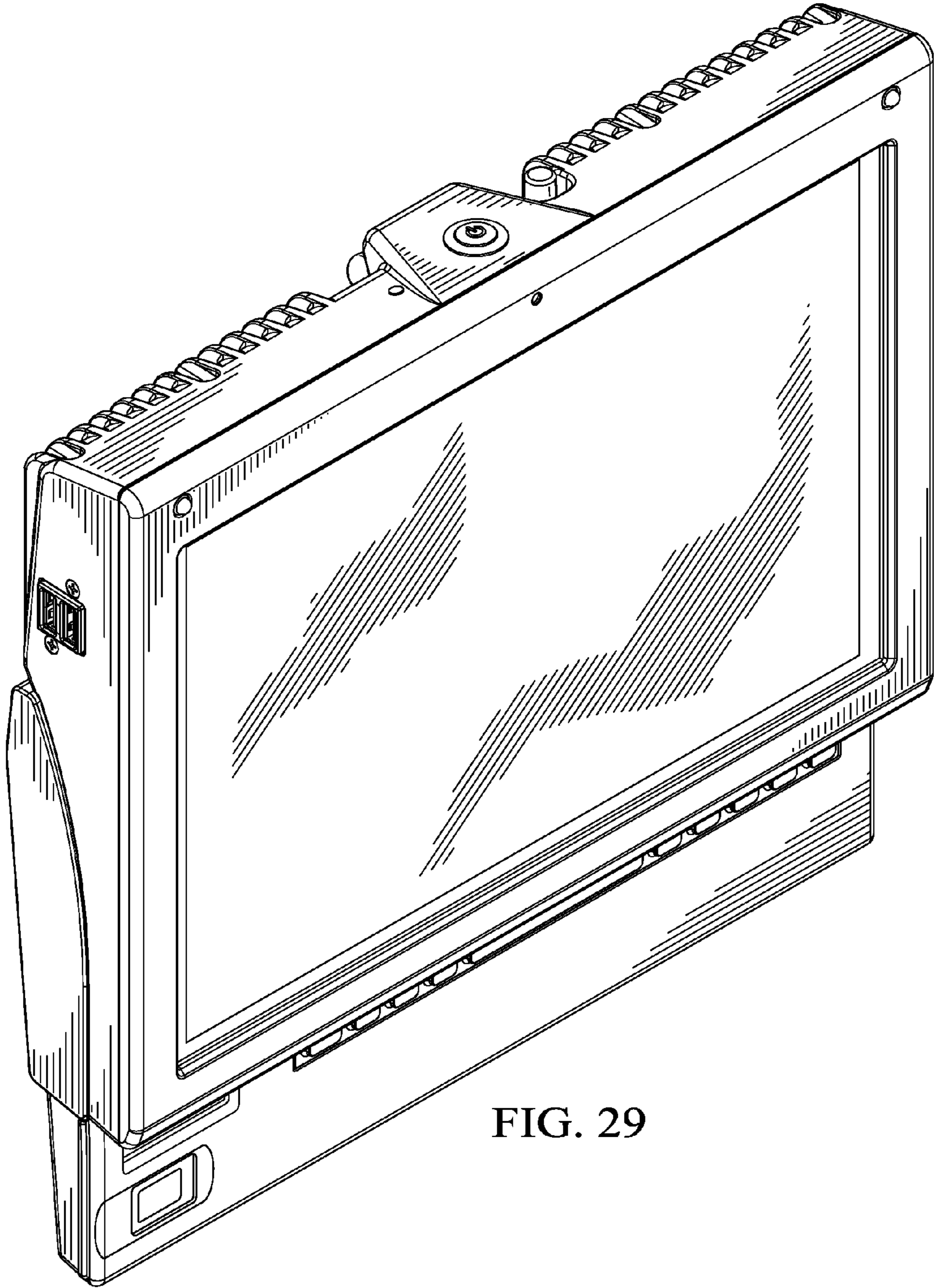


FIG. 29

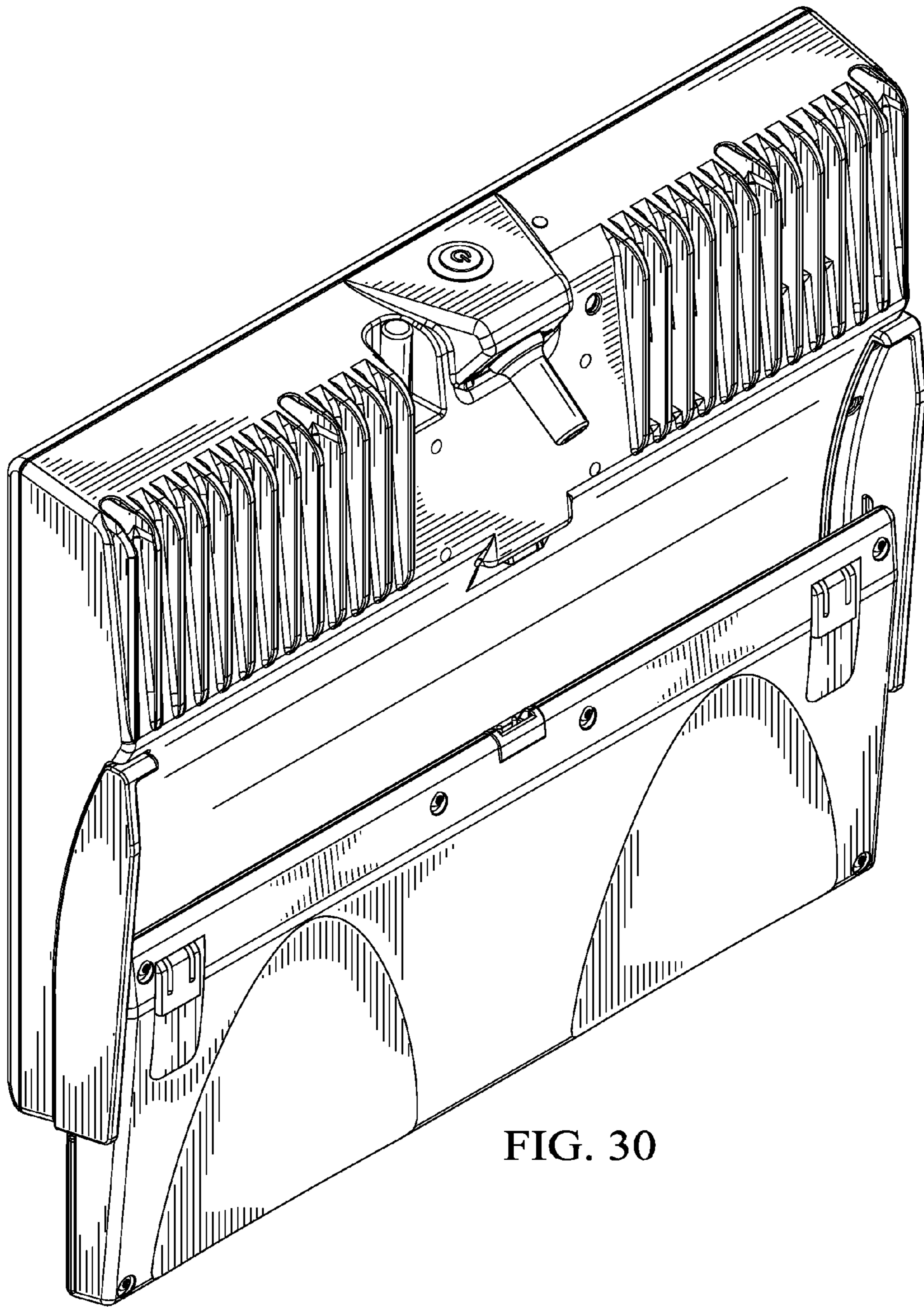


FIG. 30

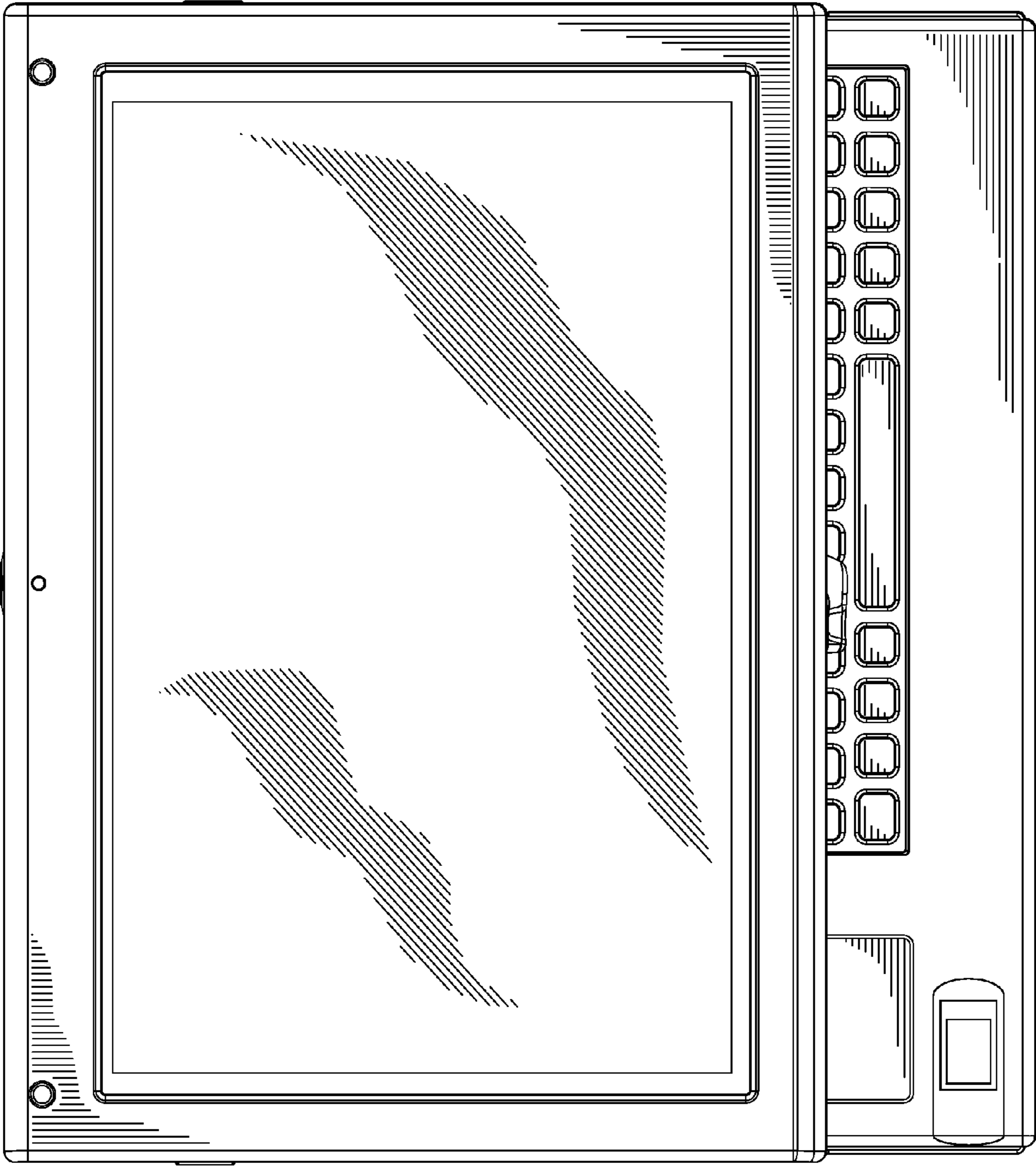


FIG. 31

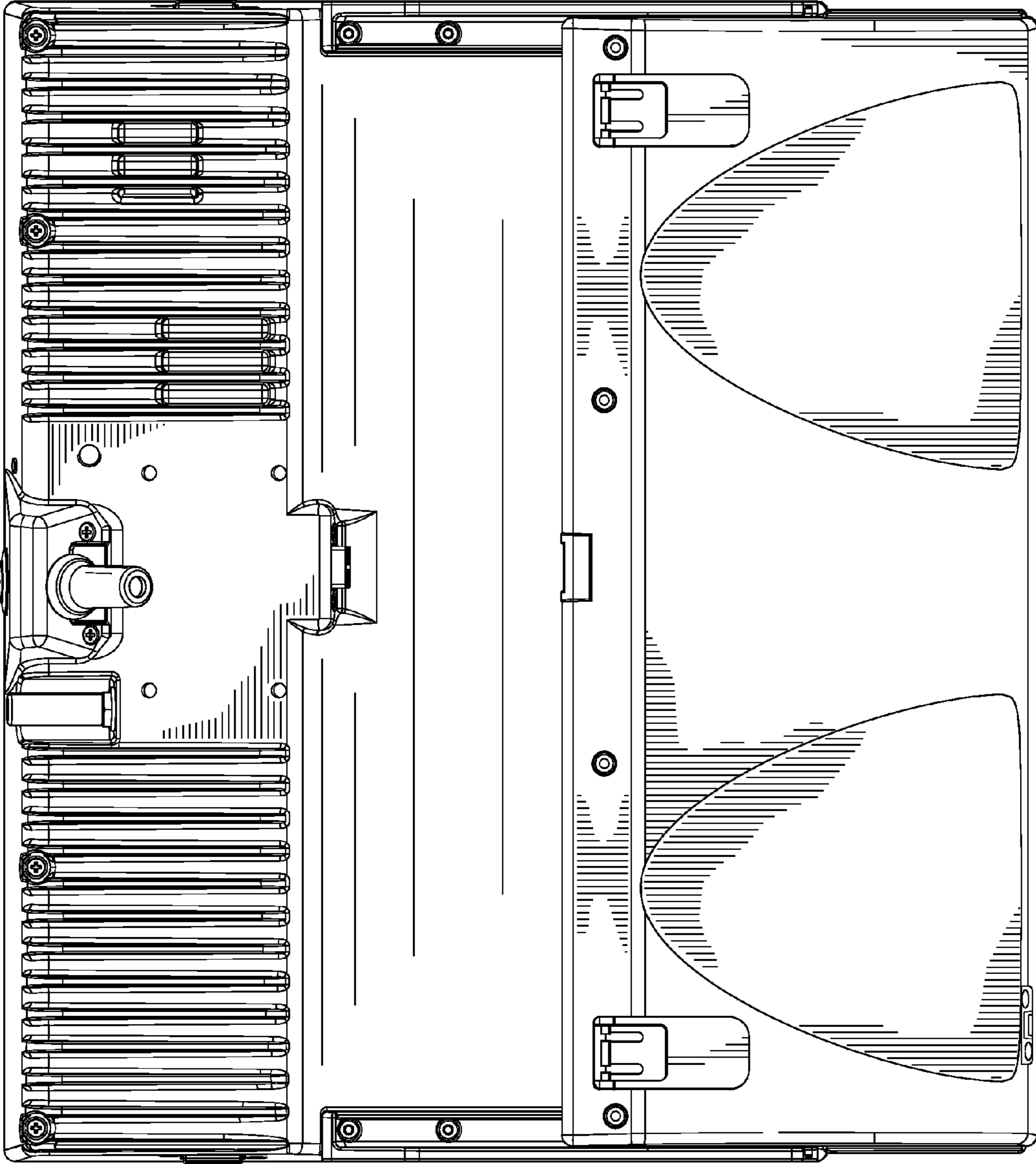


FIG. 32

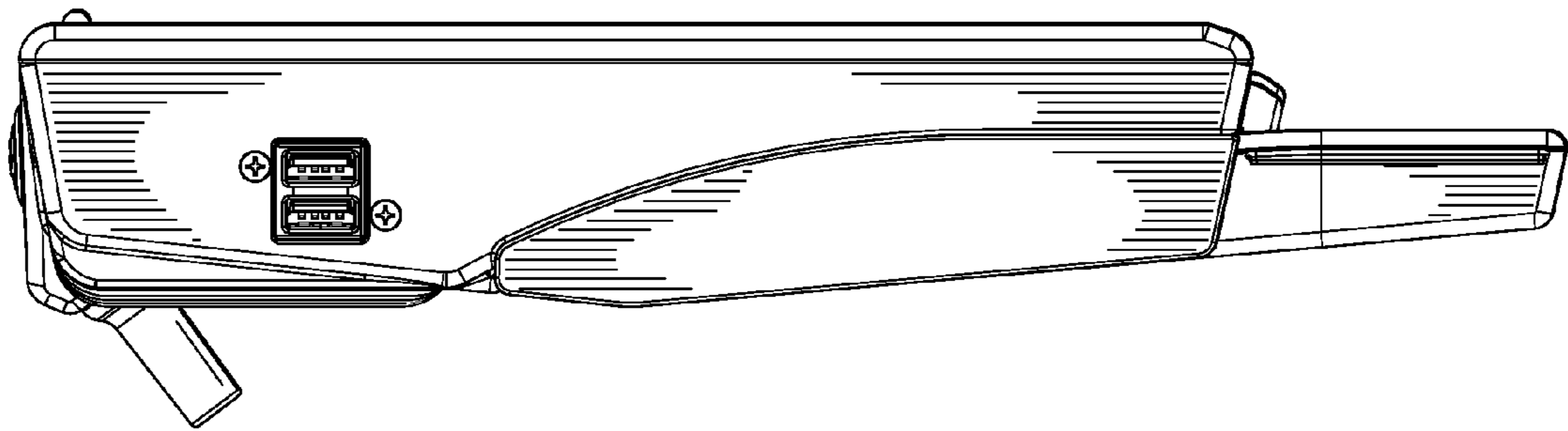


FIG. 33

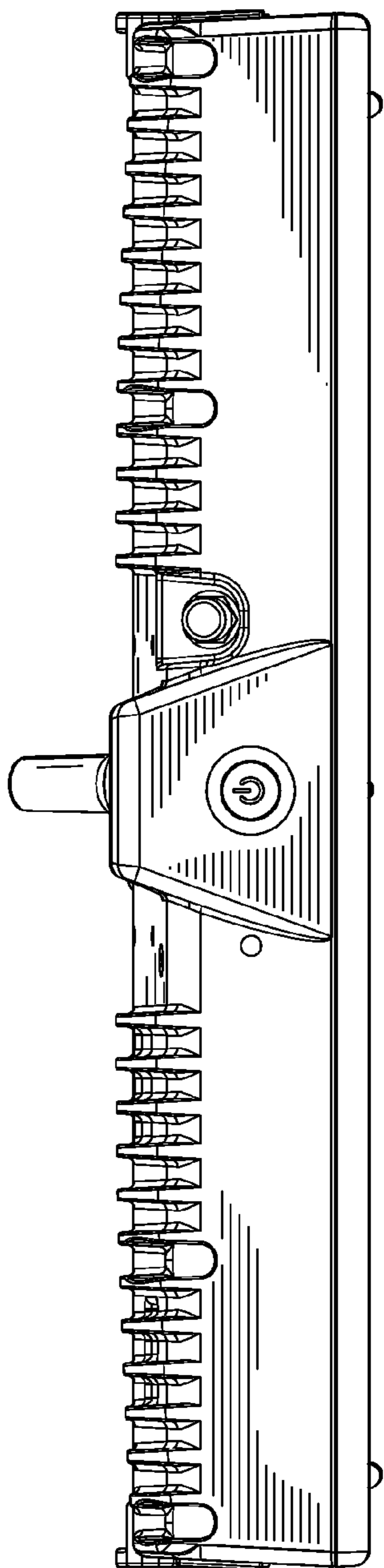


FIG. 34

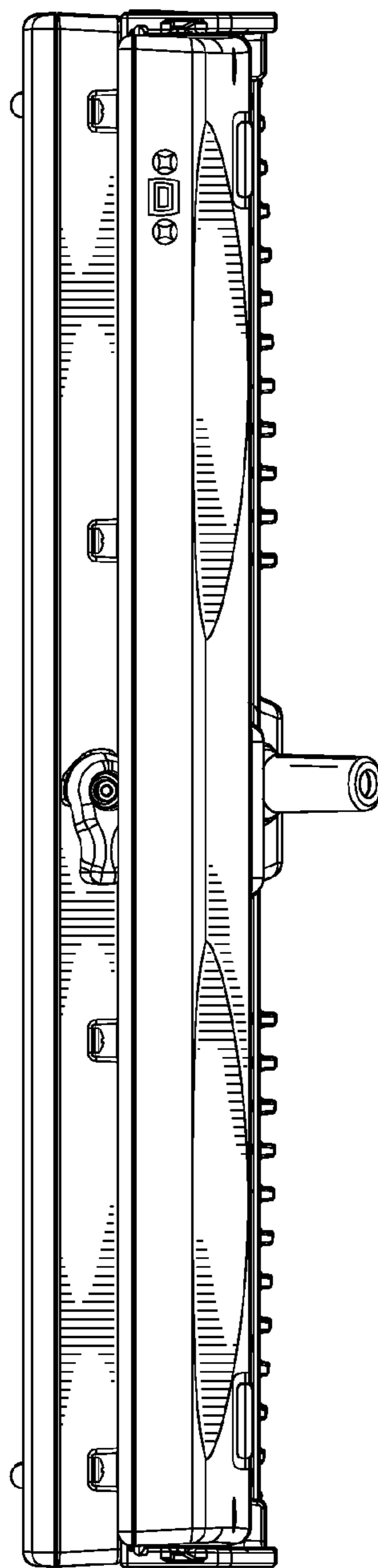


FIG. 35