



US00D689045S

(12) **United States Design Patent**
Mardas

(10) **Patent No.:** **US D689,045 S**

(45) **Date of Patent:** **** Sep. 3, 2013**

(54) **SMARTPHONE HOLDER**

(71) Applicant: **Armodios Mardas**, Chios (GR)

(72) Inventor: **Armodios Mardas**, Chios (GR)

(**) Term: **14 Years**

(21) Appl. No.: **29/438,993**

(22) Filed: **Dec. 5, 2012**

(51) **LOC (9) Cl.** **14-03**

(52) **U.S. Cl.**
USPC **D14/253**

(58) **Field of Classification Search**
USPC D14/140, 140.8, 142, 243–256, 434,
D14/447; D3/215, 218; D2/861; D6/300,
D6/310, 467, 553–574; 292/342, 343; D19/90
See application file for complete search history.

(56) **References Cited**

U.S. PATENT DOCUMENTS

D313,820 S *	1/1991	Wright	D19/90
D323,435 S *	1/1992	Palacios	D6/406.3
D340,622 S *	10/1993	Park et al.	D7/620
D382,987 S *	9/1997	Johnson, Jr.	D2/861
D393,490 S *	4/1998	Burch	D20/43
D530,887 S *	10/2006	Harless	D2/861
D577,914 S *	10/2008	Babic et al.	D6/567
D608,356 S *	1/2010	Peyridieu	D14/253
D608,357 S *	1/2010	Peyridieu	D14/253
D613,055 S *	4/2010	Lui	D3/215
D618,454 S *	6/2010	Vogias	D3/215
D645,902 S *	9/2011	Tsai	D19/90

D650,987 S *	12/2011	Rothbauer	D3/215
D655,702 S *	3/2012	Saxton	D14/253
D661,310 S *	6/2012	Belongia et al.	D14/447
D669,462 S *	10/2012	Avrahami et al.	D14/253
2009/0233656 A1 *	9/2009	Ross, III	455/575.1

OTHER PUBLICATIONS

Phone holders, <http://us.mybobino.com/products/phone-holder.html>, printed Nov. 8, 2012.

* cited by examiner

Primary Examiner — George D Kirschbaum

Assistant Examiner — Janice Hallmark

(74) *Attorney, Agent, or Firm* — Carter DeLuca Farrell & Schmidt, LLP

(57) **CLAIM**

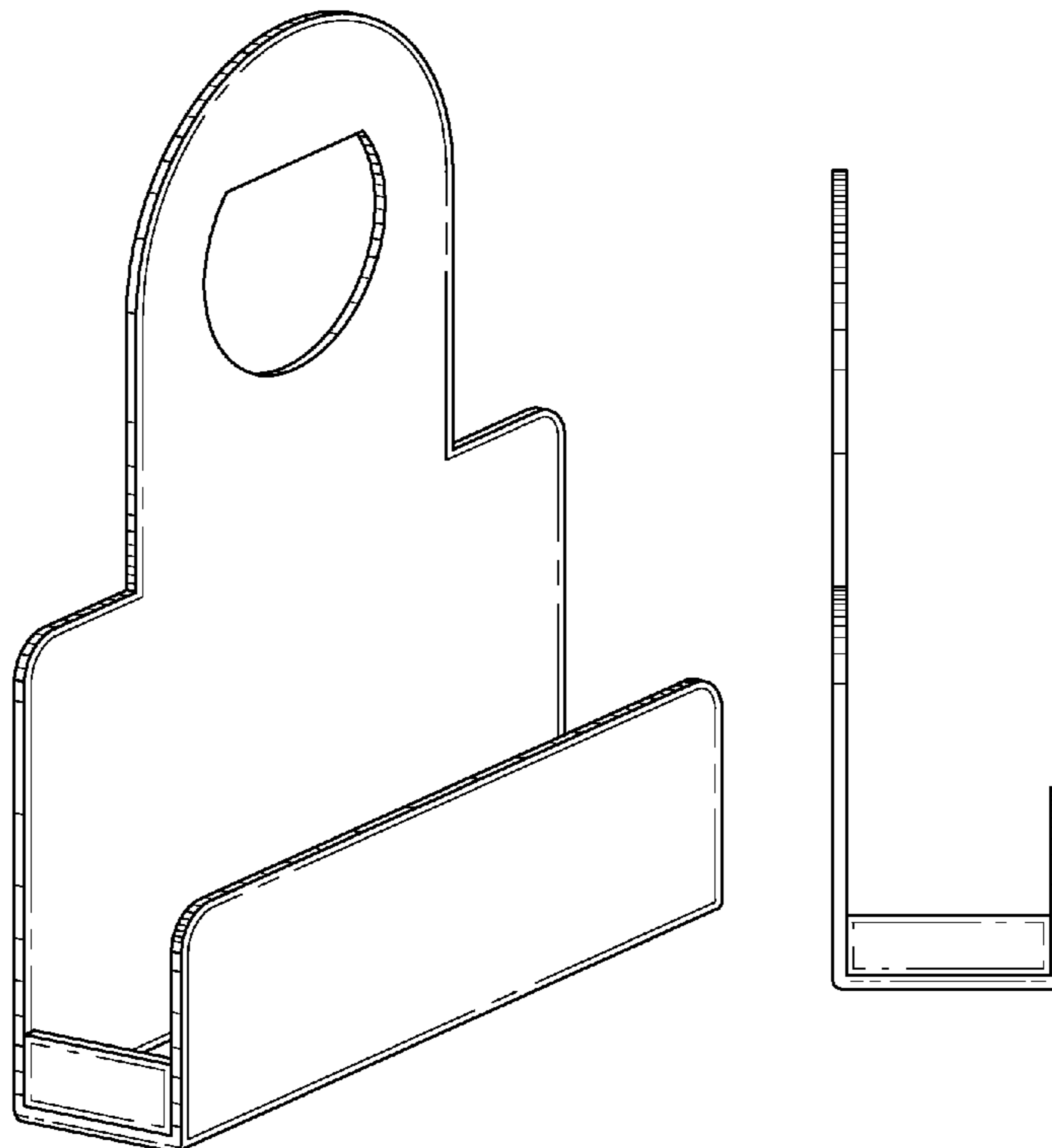
The ornamental design for a smartphone holder, as shown and described.

DESCRIPTION

FIG. 1 is a front right perspective view illustrating the new design for a smartphone holder;
FIG. 2 is a front view thereof;
FIG. 3 is a back view thereof;
FIG. 4 is left side view thereof;
FIG. 5 is a right side view thereof;
FIG. 6 is a top view thereof; and,
FIG. 7 is a bottom view thereof.

The broken line showing of structure is included for the purpose of illustrating portions of the “article” and forms no part of the claimed design.

1 Claim, 3 Drawing Sheets



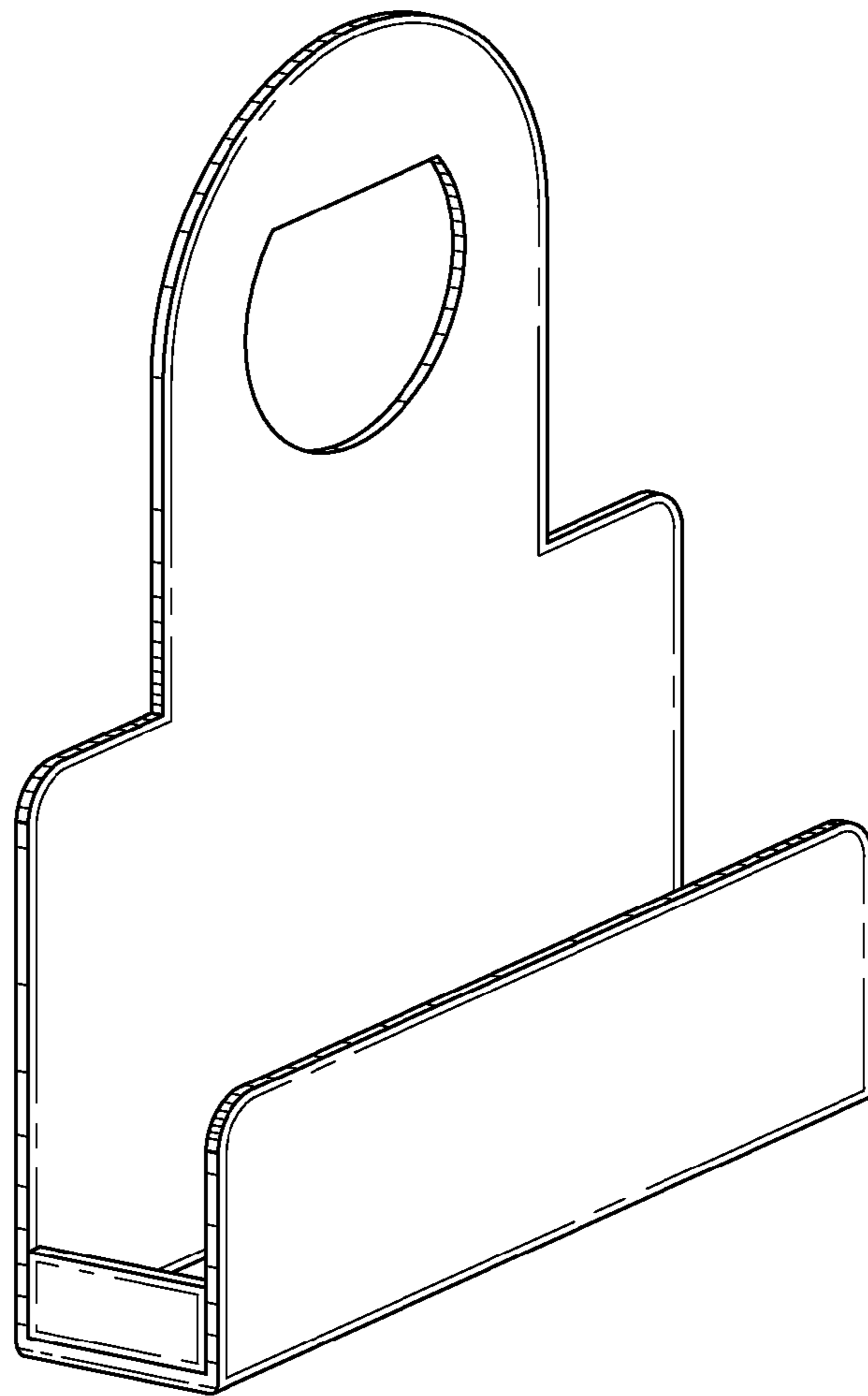


FIG. 1

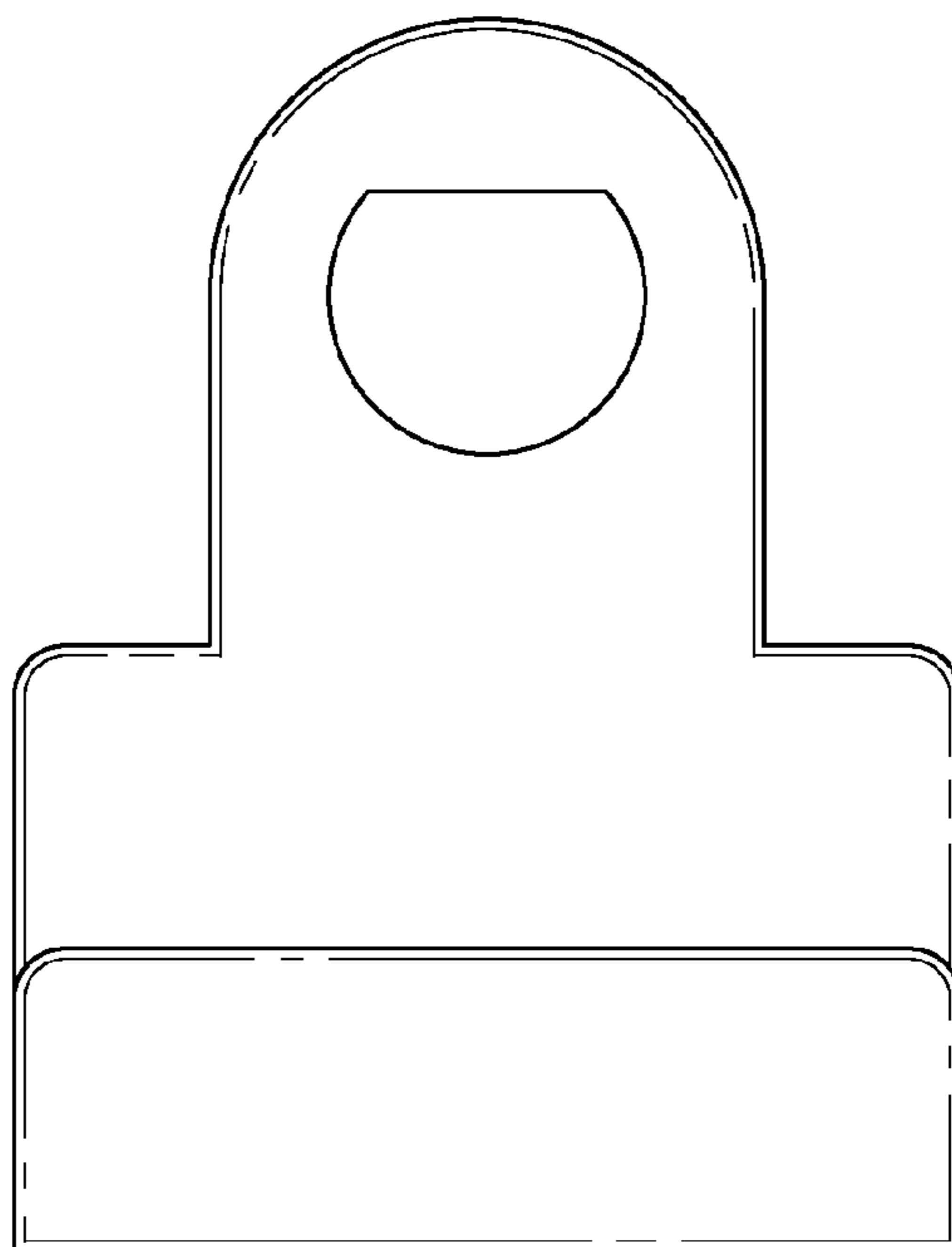


FIG. 2

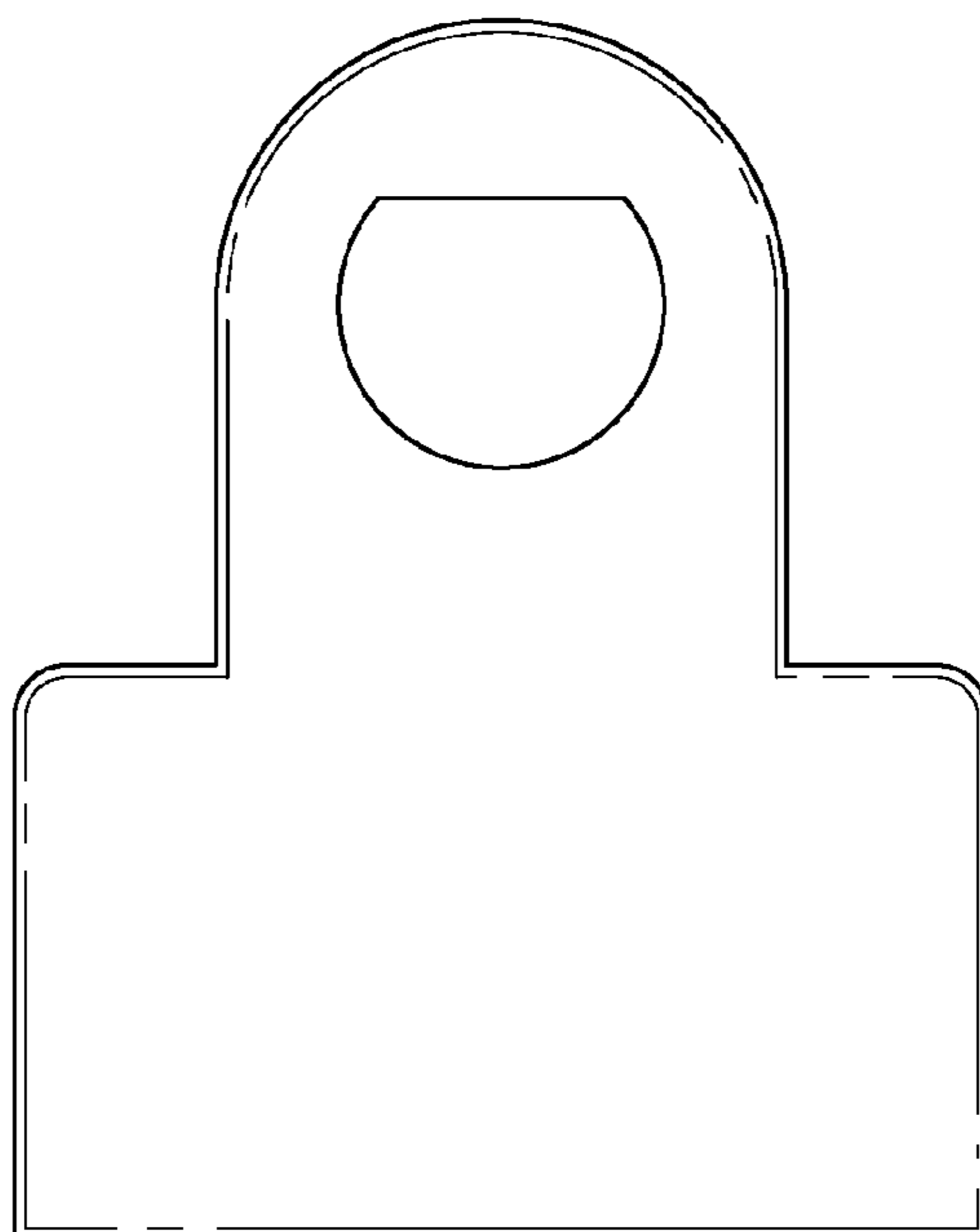


FIG. 3

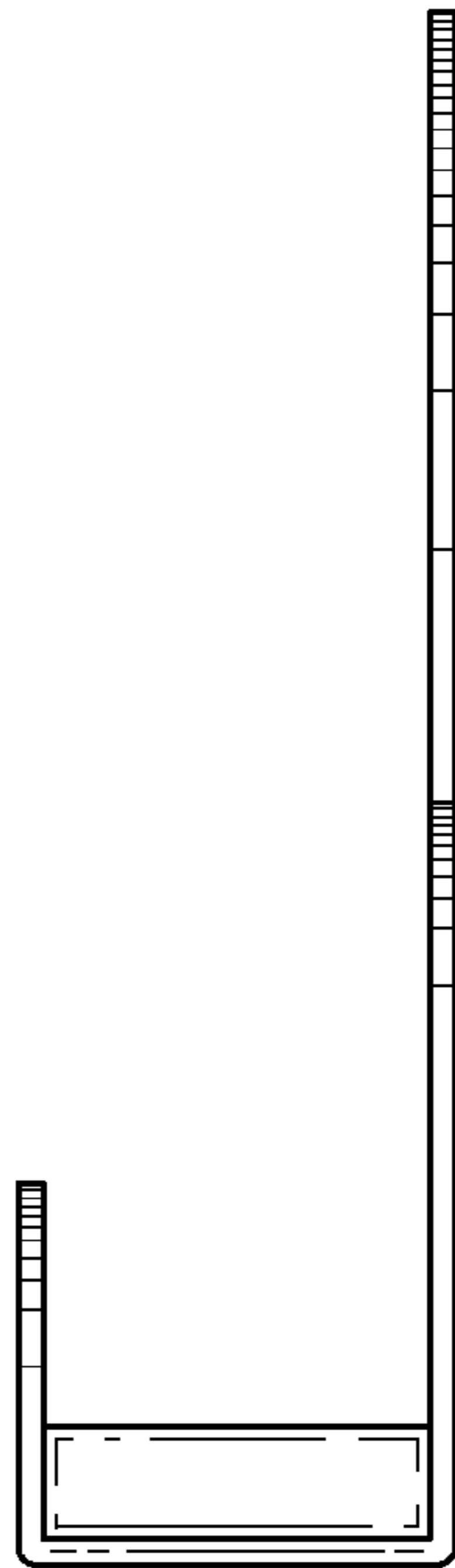


FIG. 4

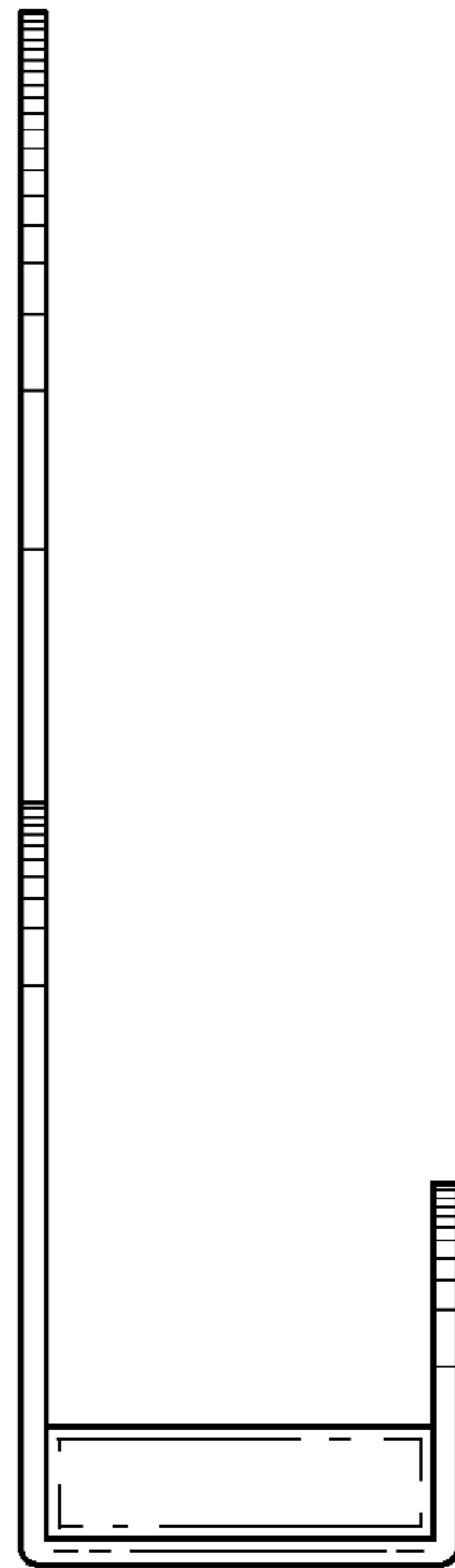


FIG. 5

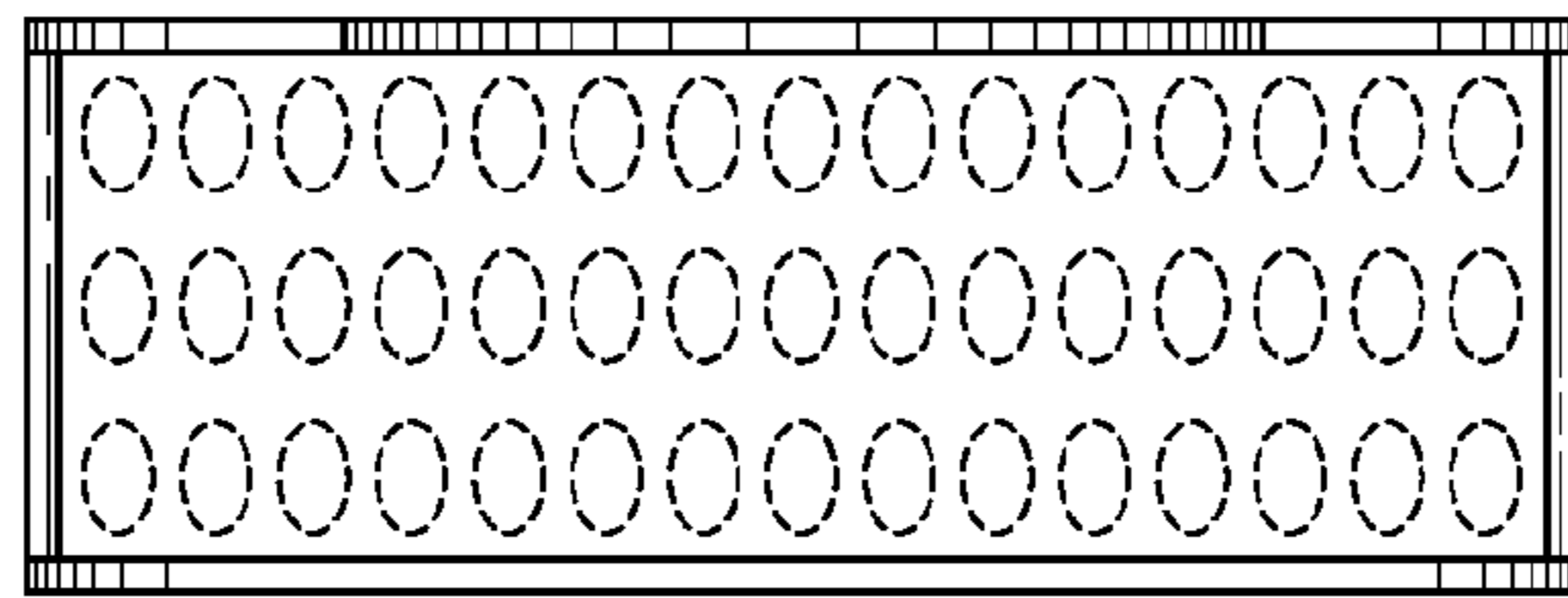


FIG. 6

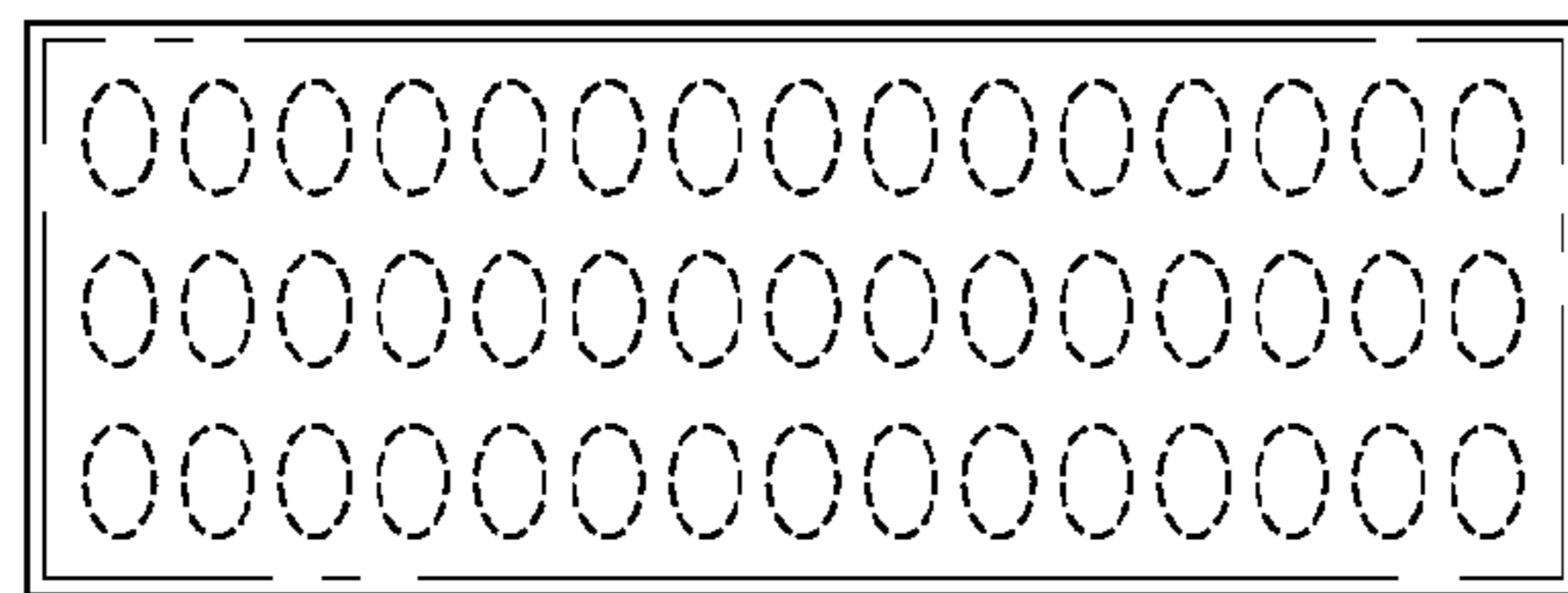


FIG. 7