

US00D689044S

(12) **United States Design Patent**
Podduturi

(10) **Patent No.:** **US D689,044 S**

(45) **Date of Patent:** **** Sep. 3, 2013**

- (54) **ANTENNA SUPPORT ASSEMBLY**
- (75) Inventor: **Bharadvaj R. Podduturi**, American Canyon, CA (US)
- (73) Assignee: **World Products, LLC**, Sonoma, CA (US)
- (**) Term: **14 Years**
- (21) Appl. No.: **29/430,255**
- (22) Filed: **Aug. 23, 2012**
- (51) **LOC (9) Cl.** **14-03**
- (52) **U.S. Cl.**
USPC **D14/238**
- (58) **Field of Classification Search**
USPC D14/230–238, 354, 299, 358; D6/495; D16/242; 343/700 R, 878–892; 455/561
See application file for complete search history.

- 6,507,319 B2 1/2003 Sikina
- D547,169 S 7/2007 Harris
- D557,260 S * 12/2007 Westerling et al. D14/230
- 7,486,270 B2 2/2009 Shih
- 7,495,627 B2 2/2009 Parsche
- D623,633 S * 9/2010 Bliss et al. D14/233
- D630,196 S 1/2011 Hall
- D634,308 S * 3/2011 Bliss et al. D14/233
- D656,925 S * 4/2012 Podduturi D14/230
- D659,127 S * 5/2012 Bliss et al. D14/230
- D664,127 S * 7/2012 Yang D14/230
- 2003/0210197 A1 11/2003 Cencich et al.
- 2006/0001577 A1 1/2006 Smith et al.
- 2010/0194640 A1 8/2010 Navarro
- 2010/0219981 A1 9/2010 Mohammadian

* cited by examiner

Primary Examiner — John Windmuller
(74) *Attorney, Agent, or Firm* — Patterson Thunte Pedersen, P.A.

(57) **CLAIM**
I claim the ornamental design for an antenna support assembly, as shown.

(56) **References Cited**

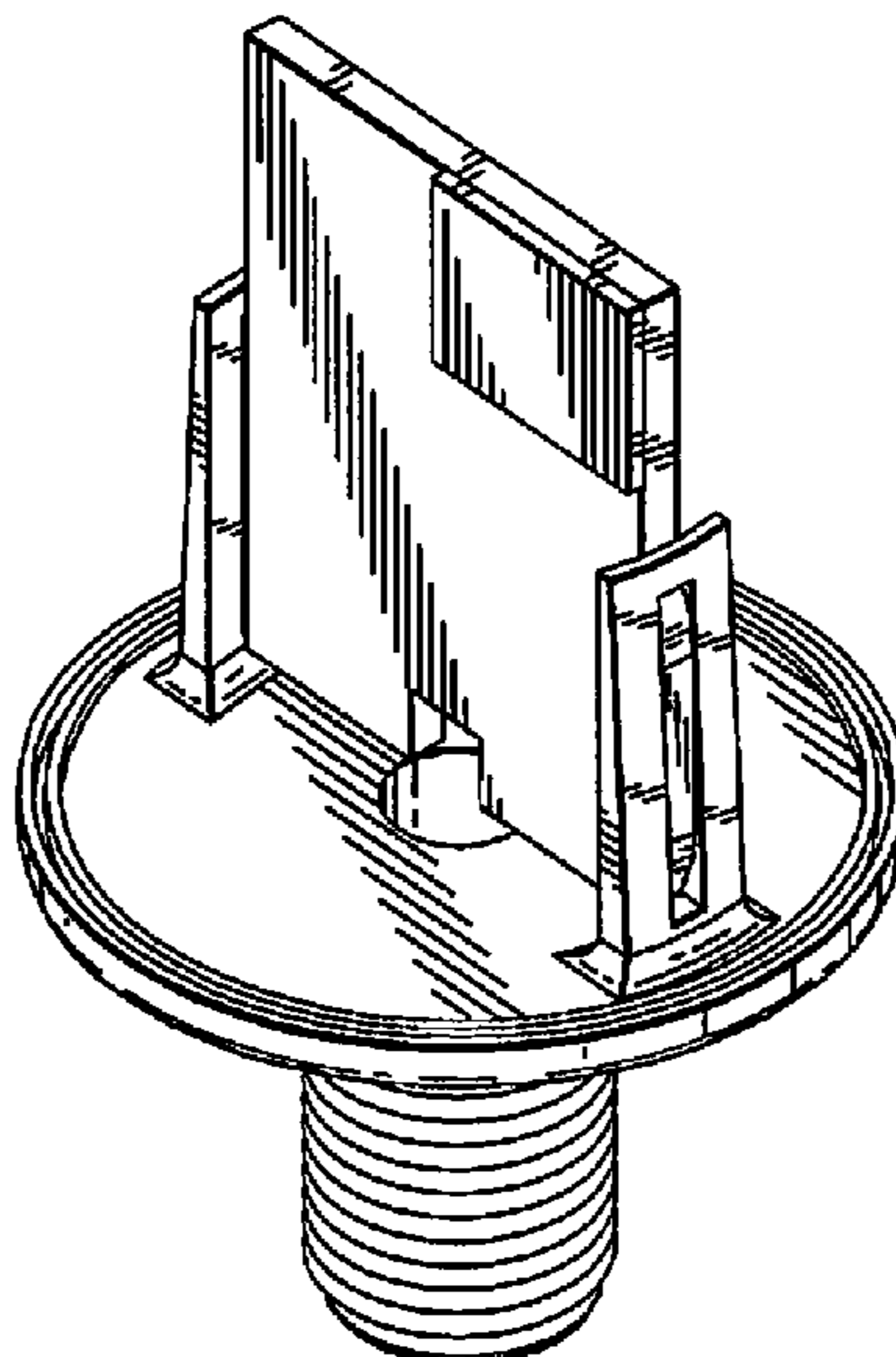
U.S. PATENT DOCUMENTS

- 2,144,038 A * 1/1939 Trump 52/113
- 2,498,350 A * 2/1950 Walsh 343/749
- D216,890 S * 3/1970 Rogers D14/238
- 4,115,937 A 9/1978 Wolpert
- 4,178,576 A * 12/1979 Schmidt et al. 343/781 R
- D302,240 S 7/1989 Zell
- D311,540 S * 10/1990 Wickrema et al. D14/233
- D348,886 S * 7/1994 Watanabe D14/238
- 5,432,682 A 7/1995 Giehl et al.
- D361,767 S 8/1995 Tinaphong
- D379,818 S * 6/1997 Aldama et al. D14/230
- D379,992 S * 6/1997 Aldama et al. D14/230
- 5,734,356 A * 3/1998 Chang 343/882
- 5,959,522 A 9/1999 Andrews
- 5,986,892 A 11/1999 Hargy, III
- D424,570 S * 5/2000 Hockett et al. D14/238
- D426,827 S 6/2000 Tsai Wang
- 6,158,594 A 12/2000 Boe
- 6,486,849 B2 * 11/2002 Buckles 343/808

DESCRIPTION

FIG. 1 is a perspective view of an antenna support assembly depicting my new design;
FIG. 2 is a right side view of the antenna support assembly of FIG. 1;
FIG. 3 is a front elevation view of the antenna support assembly of FIG. 1;
FIG. 4 is a left side view of the antenna support assembly of FIG. 1;
FIG. 5 is a rear elevation view of the antenna support assembly of FIG. 1;
FIG. 6 is a bottom plan view of the antenna support assembly of FIG. 1; and,
FIG. 7 is a top plan view of the antenna support assembly of FIG. 1.

1 Claim, 2 Drawing Sheets



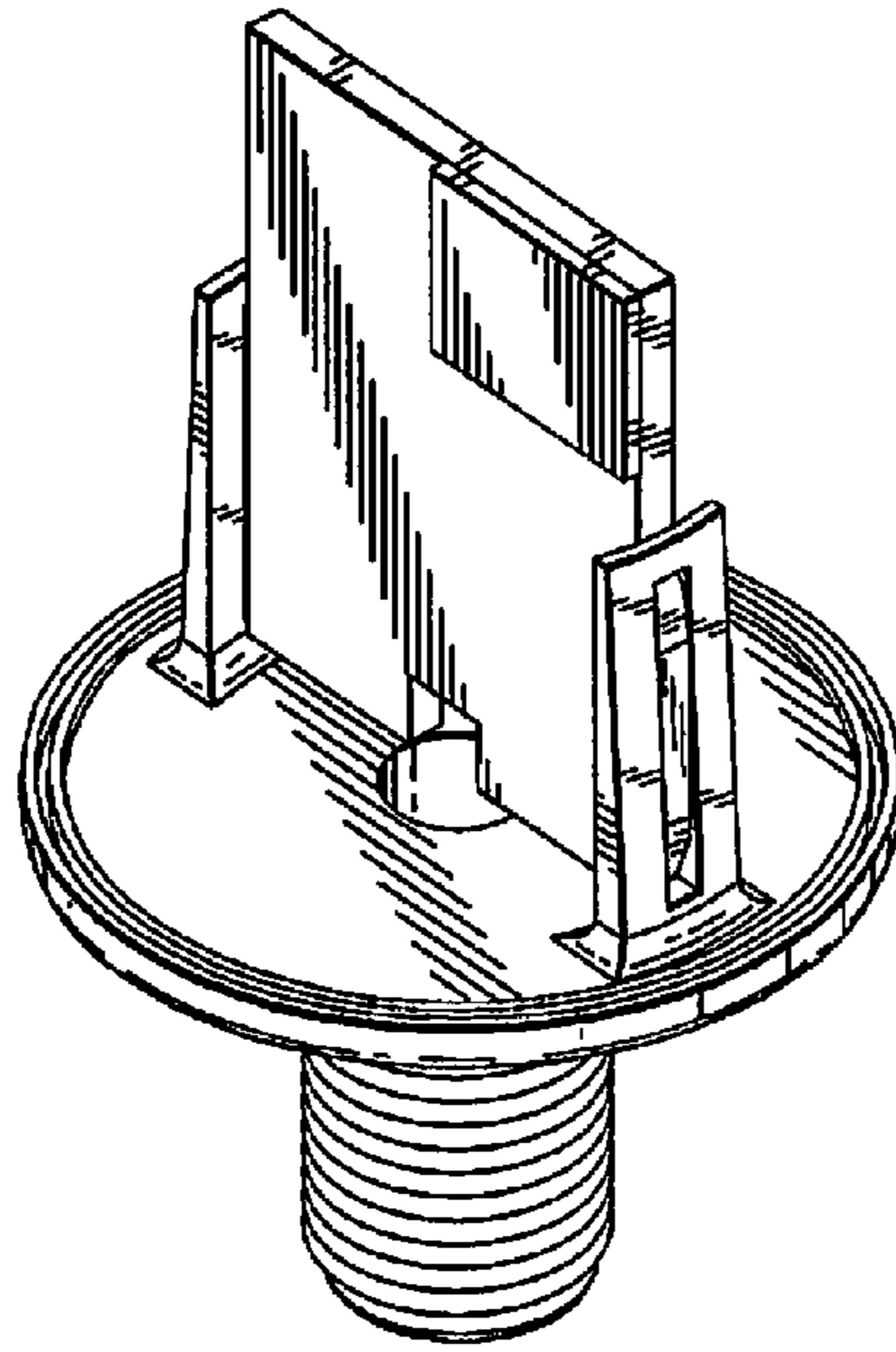


Fig. 1

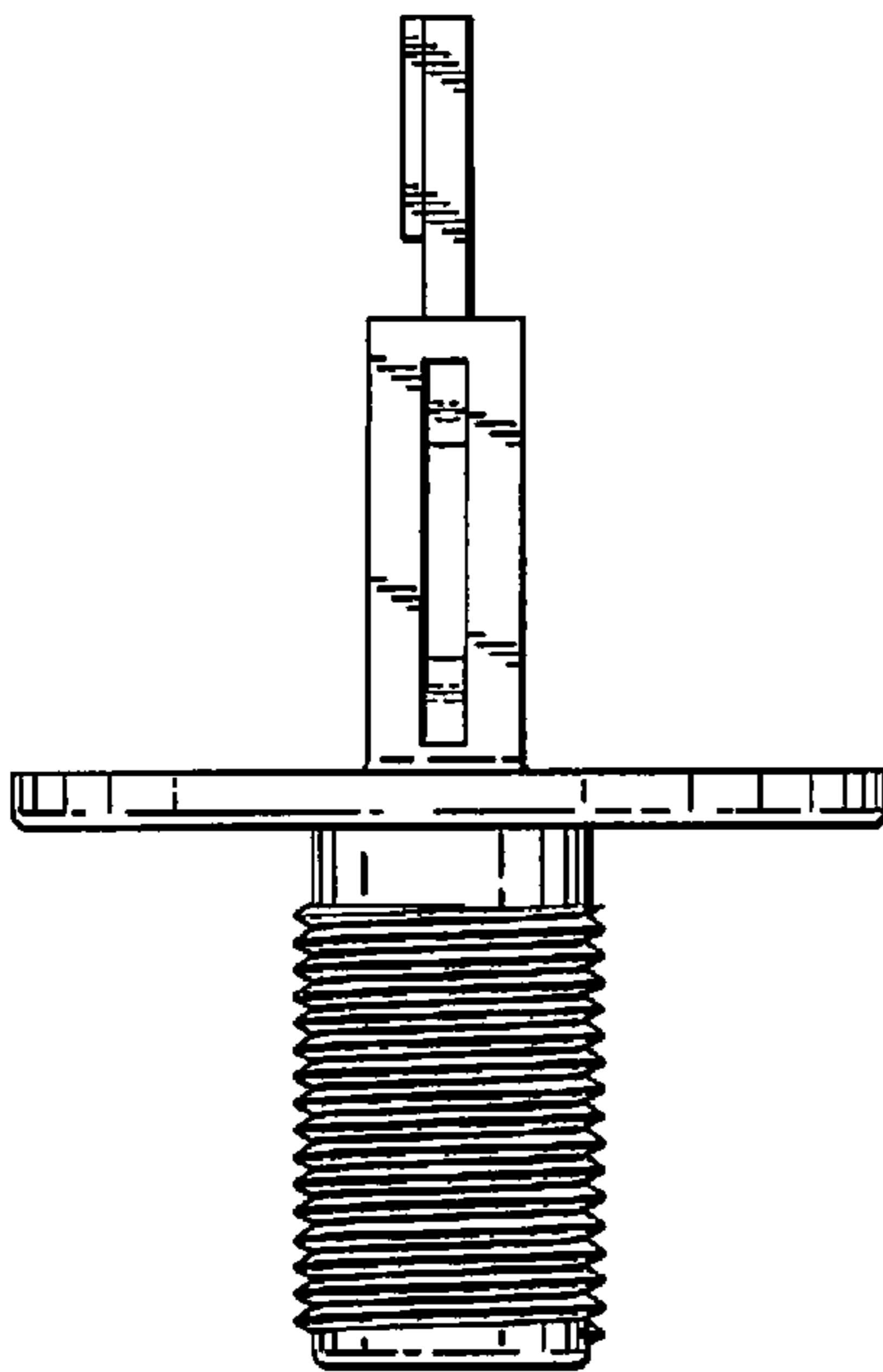


Fig. 2

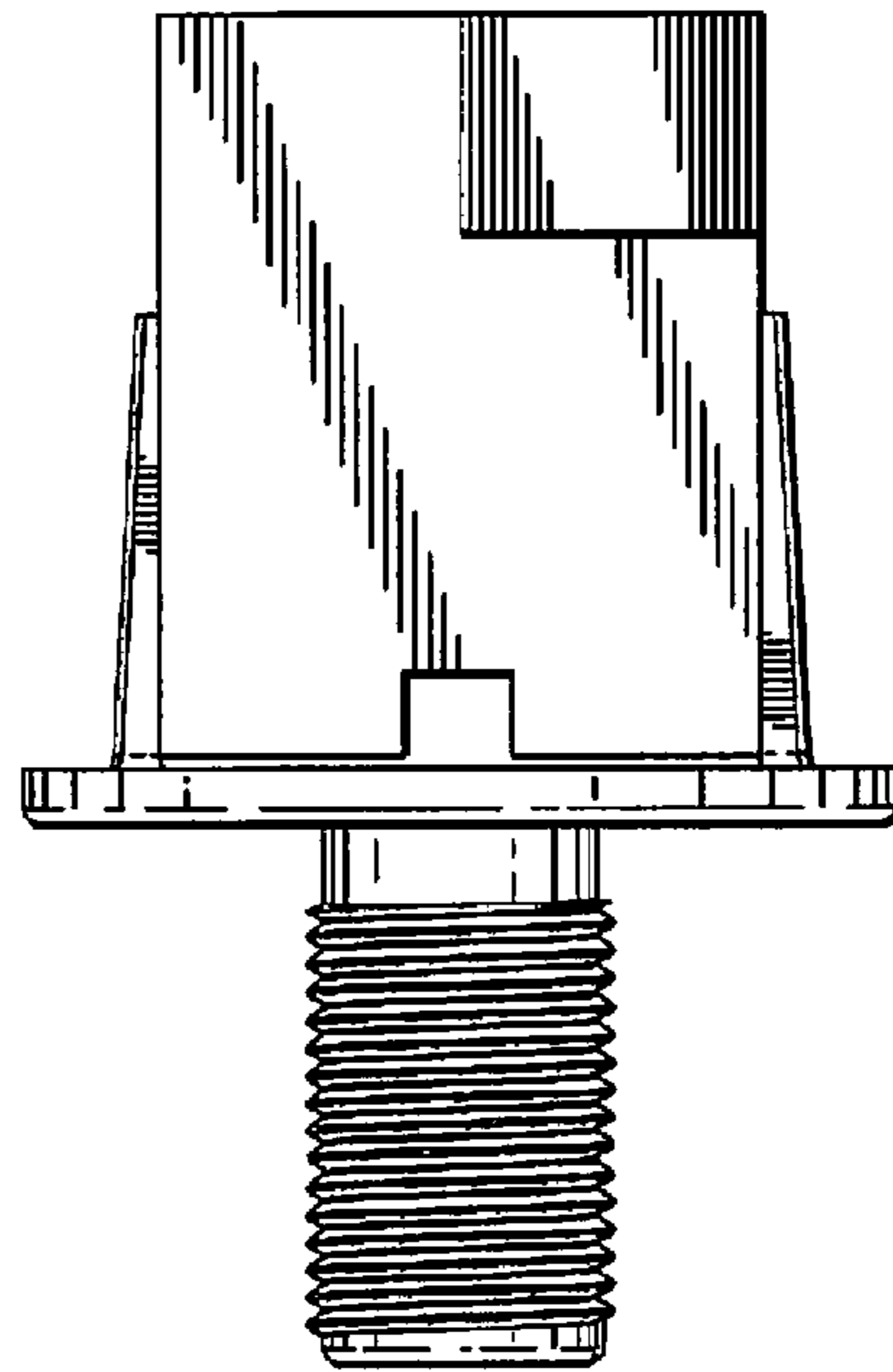


Fig. 3

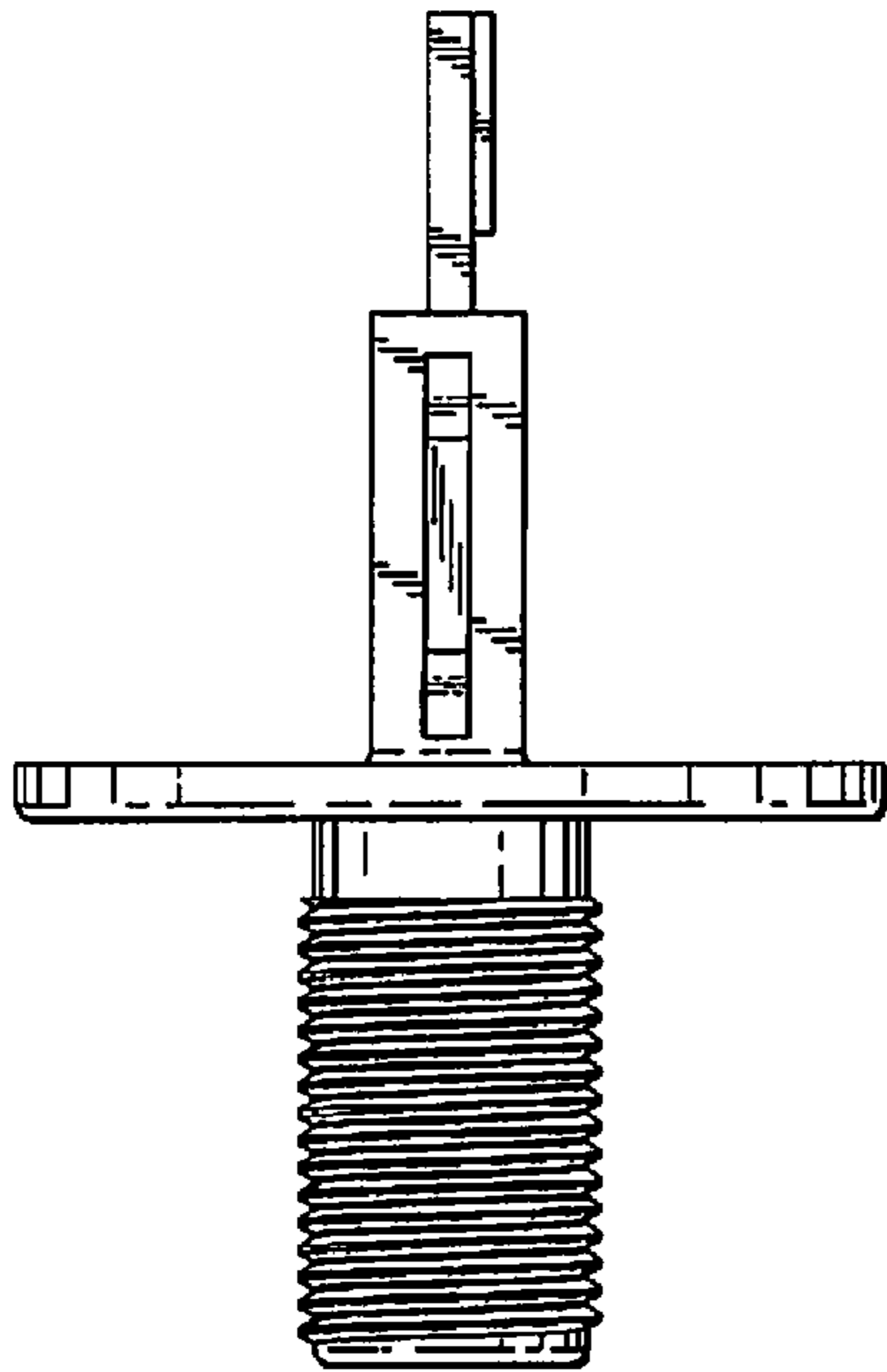


Fig. 4

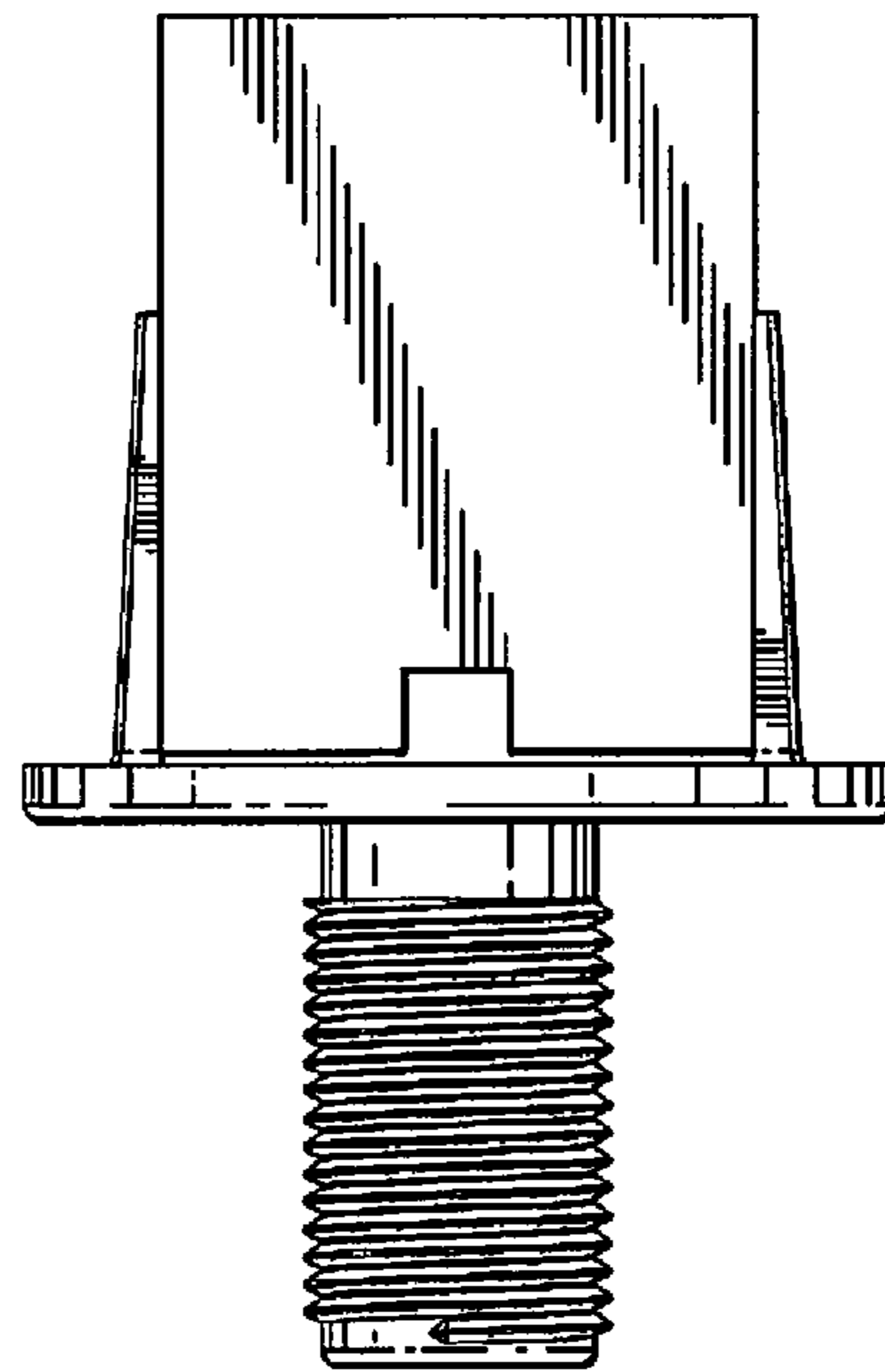


Fig. 5

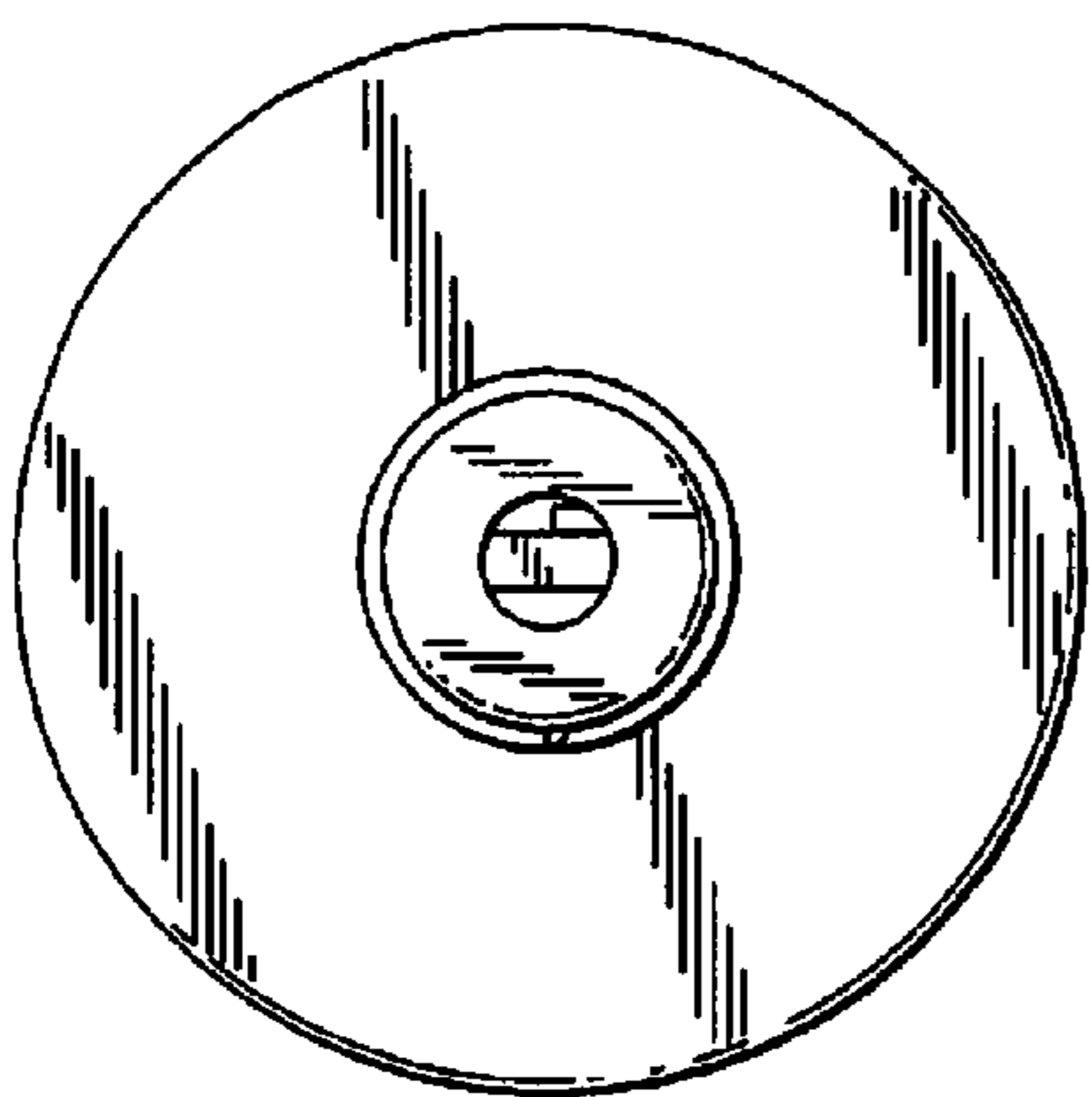


Fig. 6

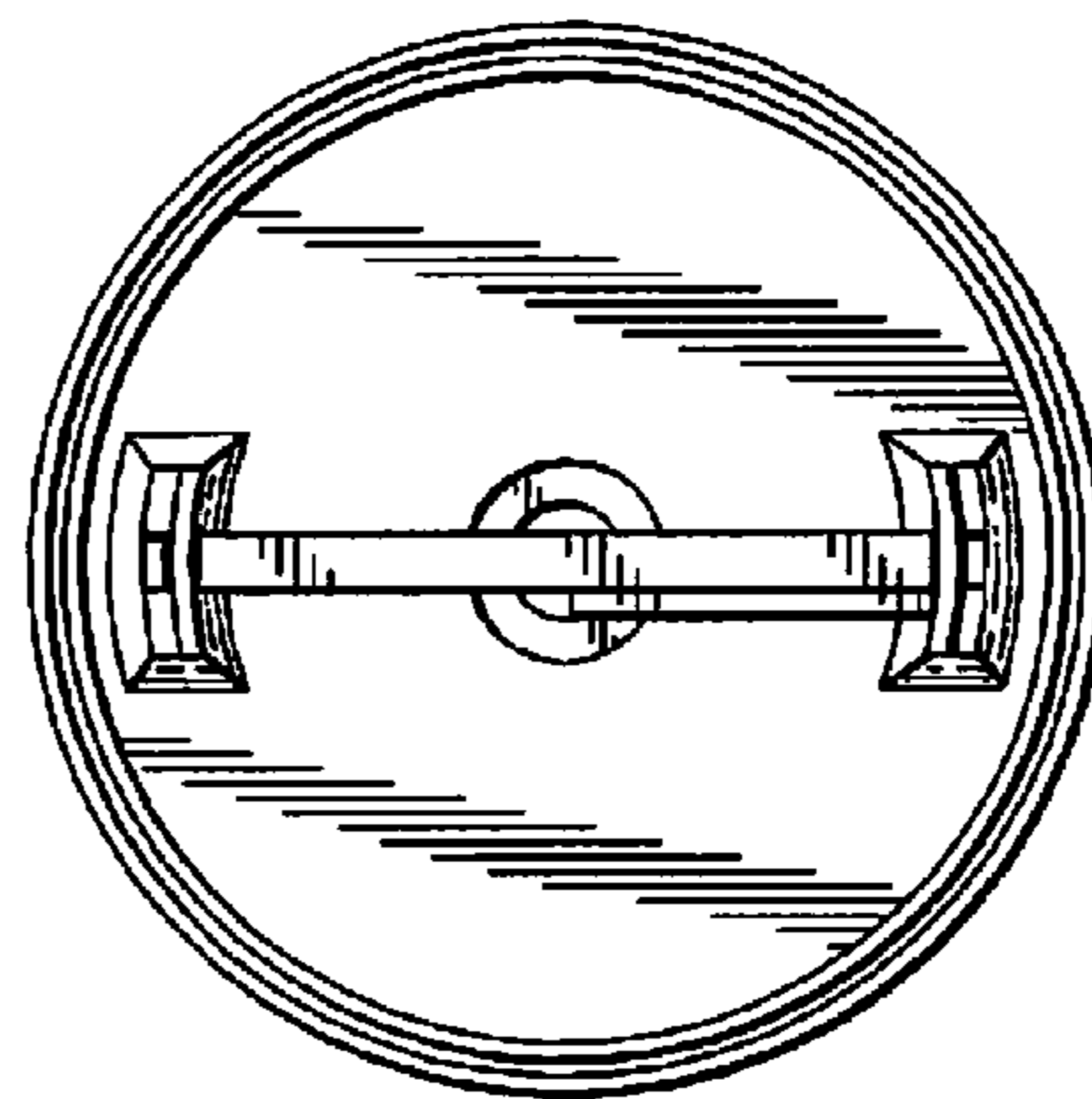


Fig. 7