



US00D689043S

(12) **United States Design Patent**
Burt et al.

(10) **Patent No.:** **US D689,043 S**

(45) **Date of Patent:** **** Sep. 3, 2013**

(54) **EARPHONES**

(71) Applicants: **Igor Burt**, LaJolla, CA (US); **Chad Grismer**, San Diego, CA (US)

(72) Inventors: **Igor Burt**, LaJolla, CA (US); **Chad Grismer**, San Diego, CA (US)

(73) Assignee: **Puma North America, Inc.**, Westford, MA (US)

(**) Term: **14 Years**

(21) Appl. No.: **29/434,186**

(22) Filed: **Oct. 10, 2012**

(51) **LOC (9) Cl.** **14-01**

(52) **U.S. Cl.**
USPC **D14/223**

(58) **Field of Classification Search**
USPC D14/205, 206, 223, 402, 407; 181/129,
181/130, 135; 379/430, 431; 381/380, 381;
455/90.3, 575.1; 200/11 TW, 179, 180;
345/184; 338/200

See application file for complete search history.

(56) **References Cited**

U.S. PATENT DOCUMENTS

3,150,247	A *	9/1964	White	200/504
3,504,139	A *	3/1970	Long	200/11 TW
3,809,830	A *	5/1974	Lockard et al.	200/11 TW
4,201,899	A *	5/1980	Owen	200/180
4,910,503	A *	3/1990	Brodsky	345/161
5,159,706	A *	10/1992	Hodsdon	455/90.3
5,825,353	A *	10/1998	Will	345/184
6,333,473	B1 *	12/2001	Sawada et al.	200/4
7,042,445	B2 *	5/2006	Hara et al.	345/184
7,042,455	B2 *	5/2006	Arcas	345/428
7,057,120	B2 *	6/2006	Ma et al.	200/11 TW
D531,169	S *	10/2006	Tokioka et al.	D14/223
D554,109	S *	10/2007	Ledbetter et al.	D14/223
D554,627	S *	11/2007	Gondo	D14/223
D555,152	S *	11/2007	Wang	D14/223

D567,217	S *	4/2008	Kamo et al.	D14/205
D572,703	S *	7/2008	Ledbetter et al.	D14/205
D573,978	S *	7/2008	Ledbetter et al.	D14/205
D575,269	S *	8/2008	Ledbetter et al.	D14/205
D576,154	S *	9/2008	Ledbetter et al.	D14/223
D591,721	S *	5/2009	Densho	D14/205
D598,894	S *	8/2009	Masuda et al.	D14/205
D604,718	S *	11/2009	Paterson	D14/206
D606,971	S *	12/2009	Christopher et al.	D14/205
D611,934	S *	3/2010	Schaefer	D14/223
D624,056	S *	9/2010	Kolton	D14/223
D627,765	S *	11/2010	Zheng	D14/223
D637,585	S *	5/2011	Nagayama et al.	D14/223
D643,416	S *	8/2011	Chong et al.	D14/223
D656,491	S *	3/2012	Nomura	D14/223
D664,951	S *	8/2012	Ang et al.	D14/223
D666,996	S *	9/2012	Hardi et al.	D14/223
8,391,536	B2 *	3/2013	Hashimoto	381/380

* cited by examiner

Primary Examiner — Paula Greene

(74) *Attorney, Agent, or Firm* — Mark S. Leonardo; Brown Rudnick LLP

(57) **CLAIM**

The ornamental design for an earphone, as shown and described.

DESCRIPTION

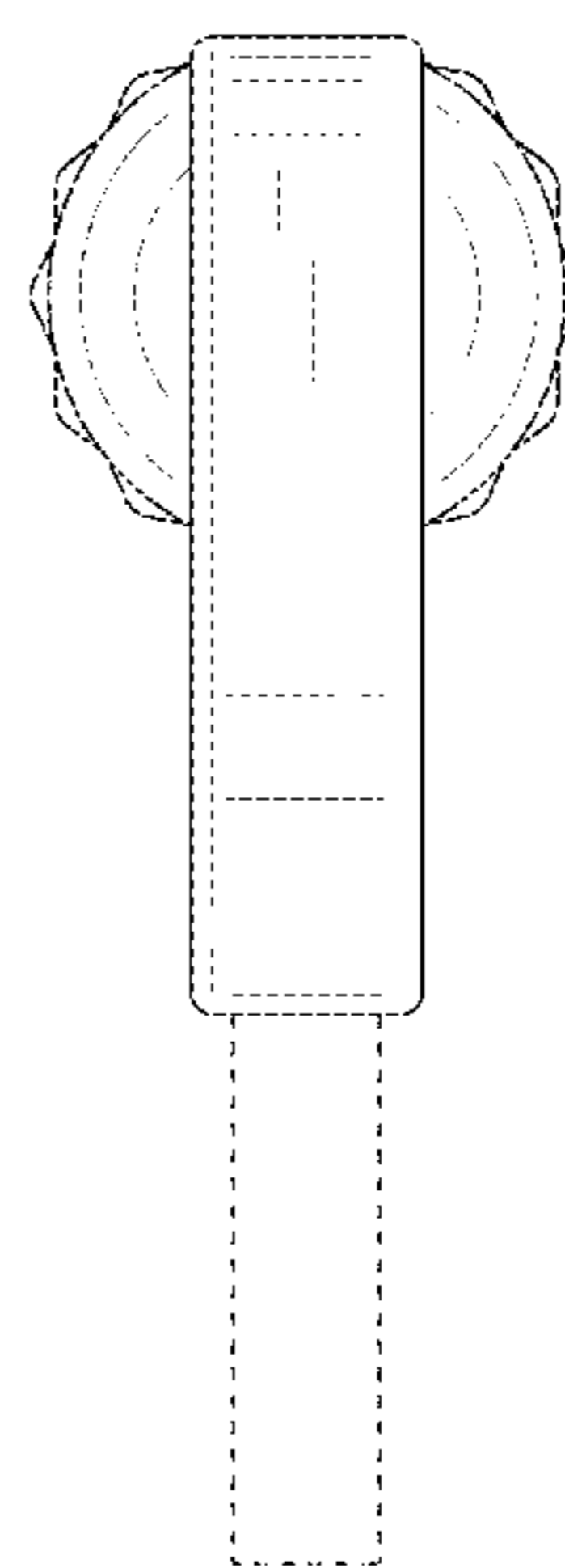
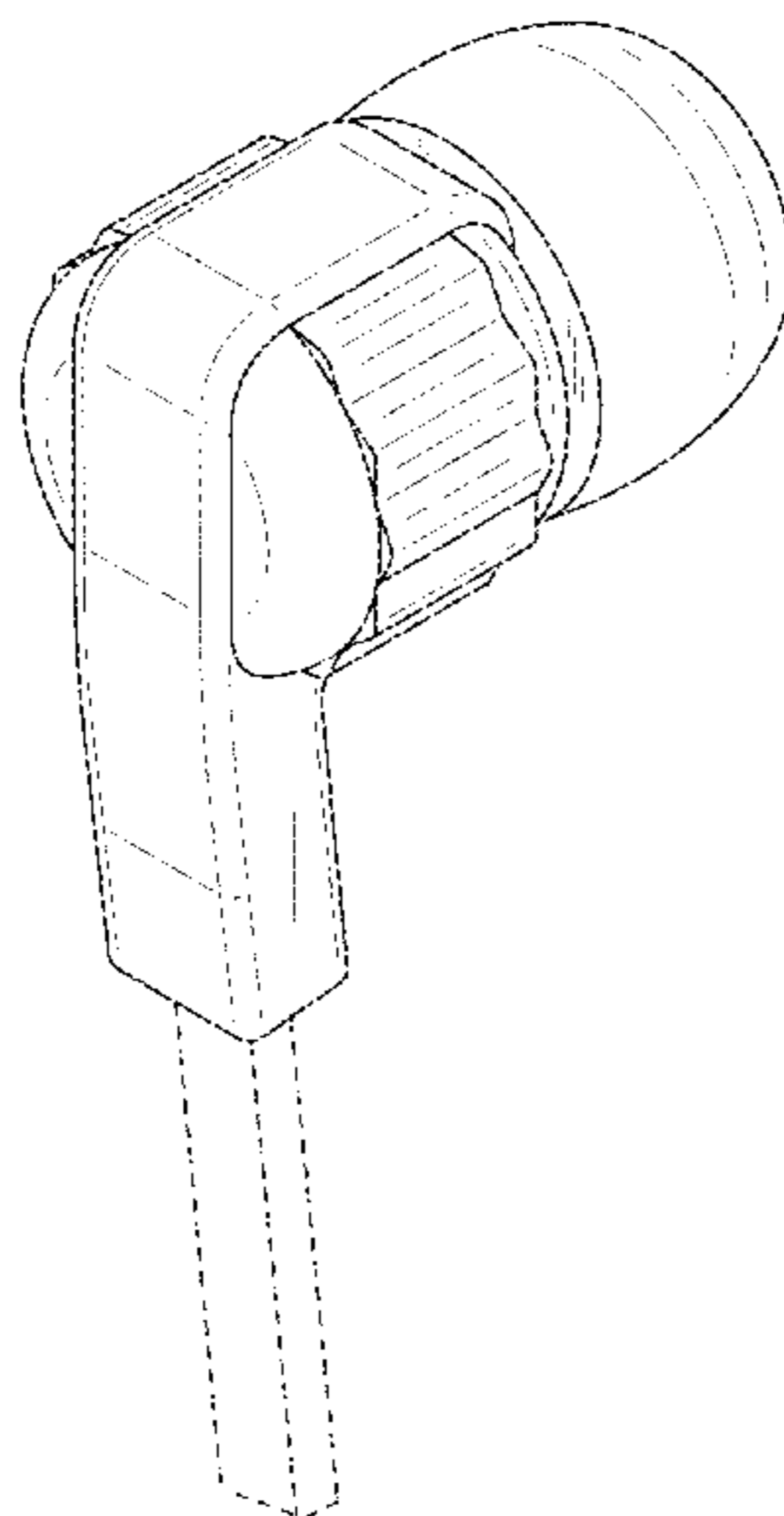
FIG. 1 illustrates a right side perspective view of an earphone employing an ornamental design in accordance with the present invention;

FIG. 2 illustrates a front side view of the earphone of FIG. 1; FIG. 3 illustrates a back side view of the earphone of FIG. 1; FIG. 4 illustrates a right side view of the earphone of FIG. 1; FIG. 5 illustrates a left side view of the earphone of FIG. 1; FIG. 6 illustrates a top side view of the earphone of FIG. 1; and,

FIG. 7 illustrates a bottom side view of the earphone of FIG. 1.

All features illustrated in phantom line are expressly disclaimed and form no part of the claimed design.

1 Claim, 6 Drawing Sheets



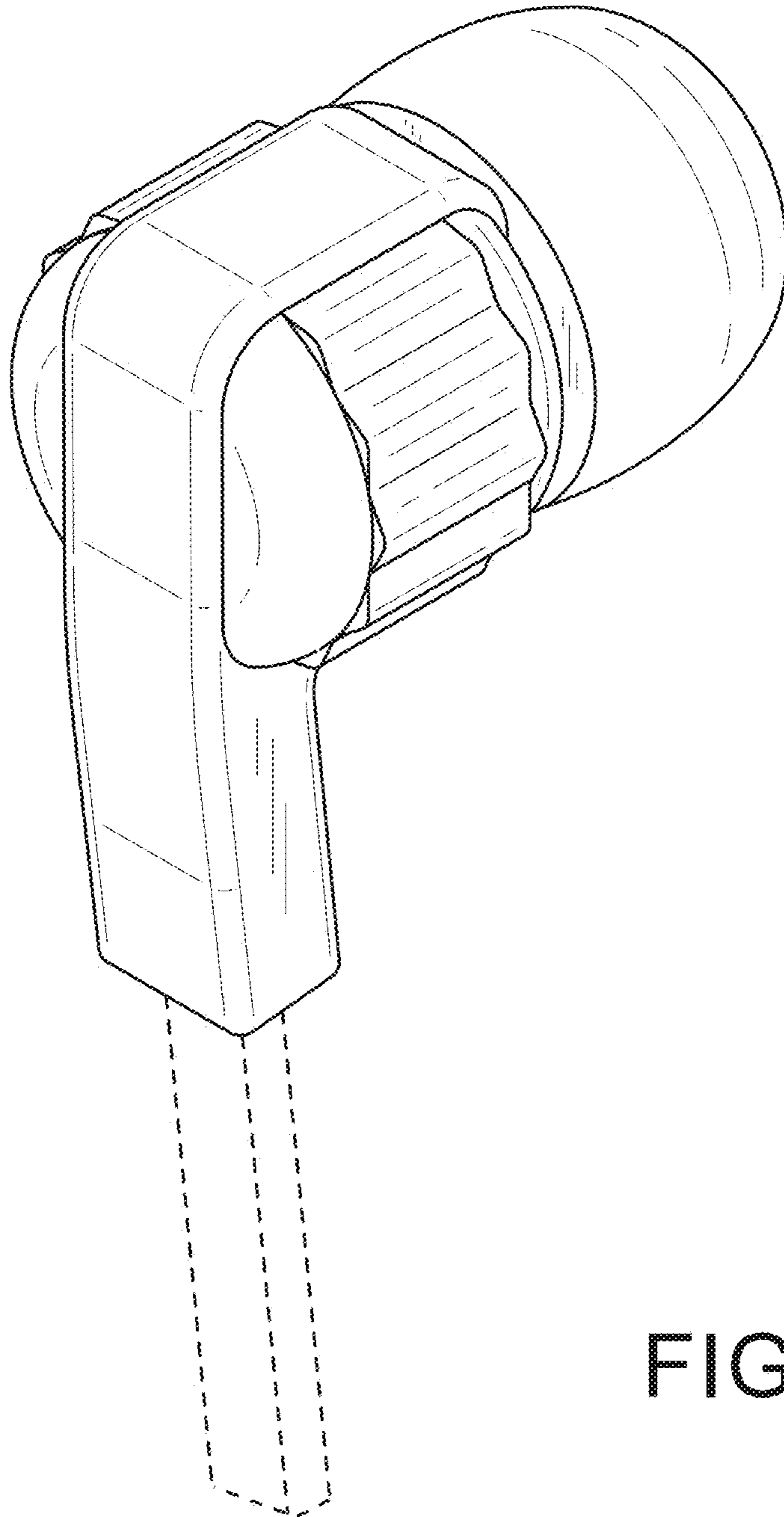


FIG. 1

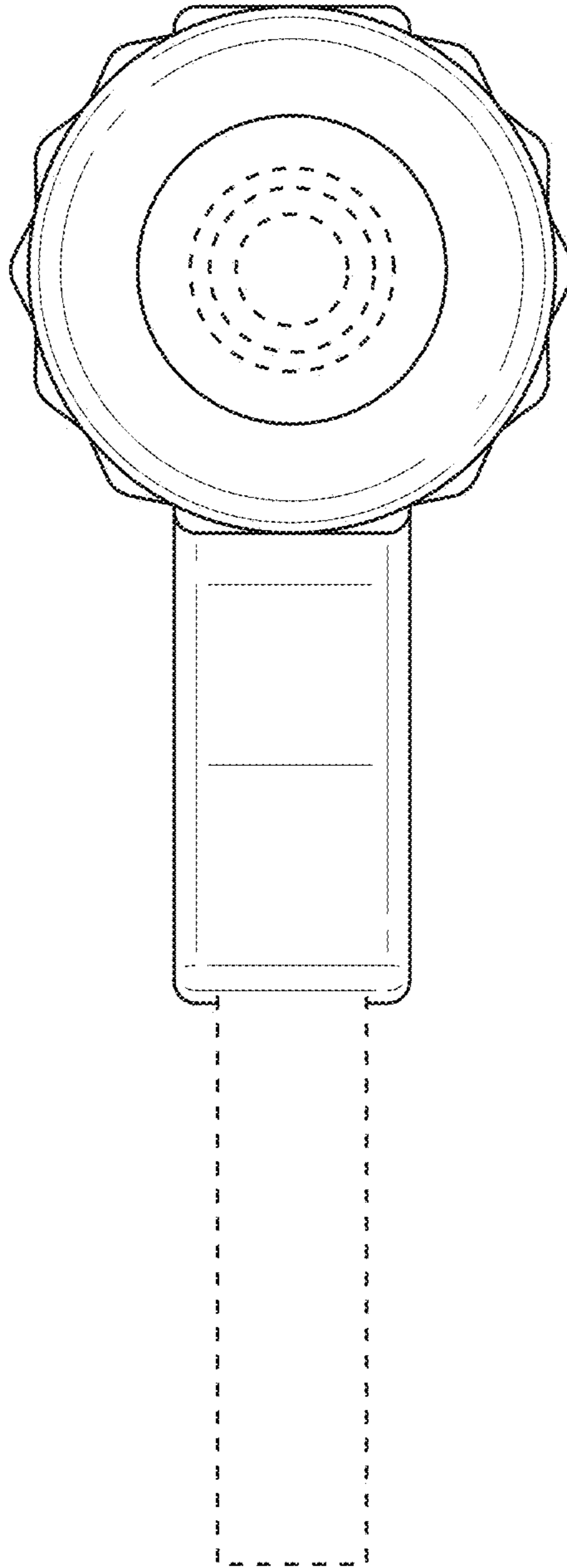


FIG.2

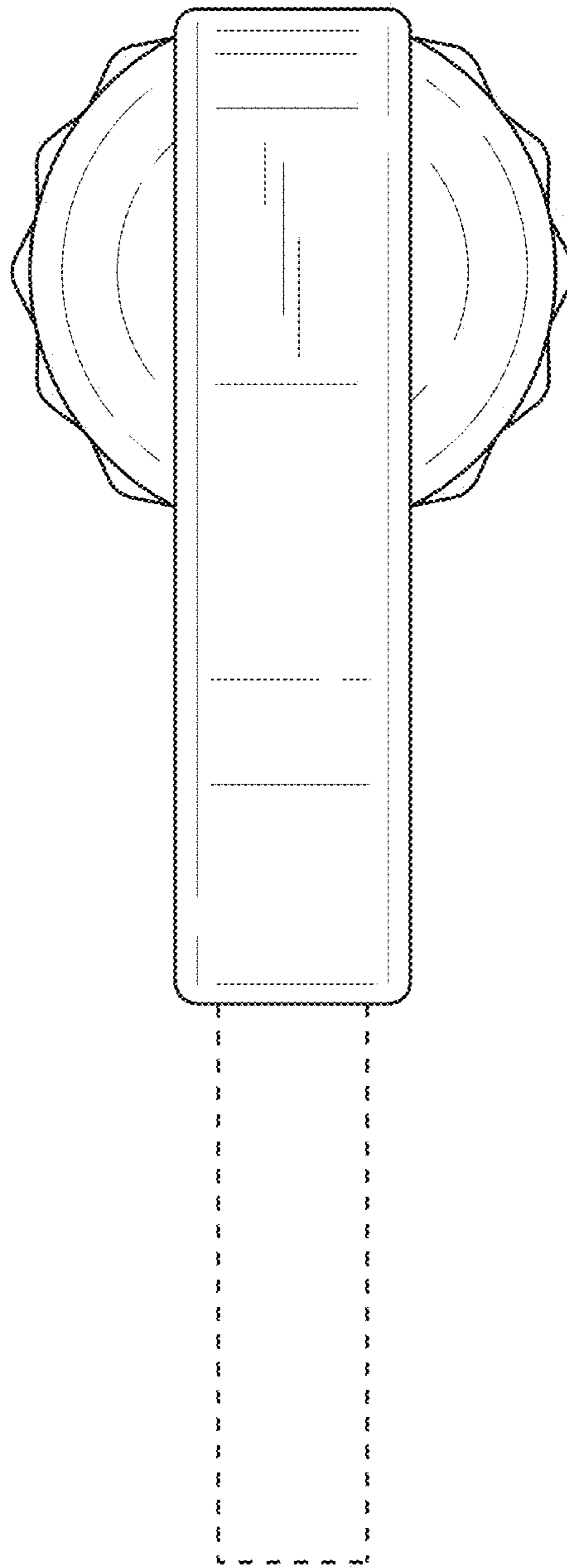


FIG. 3

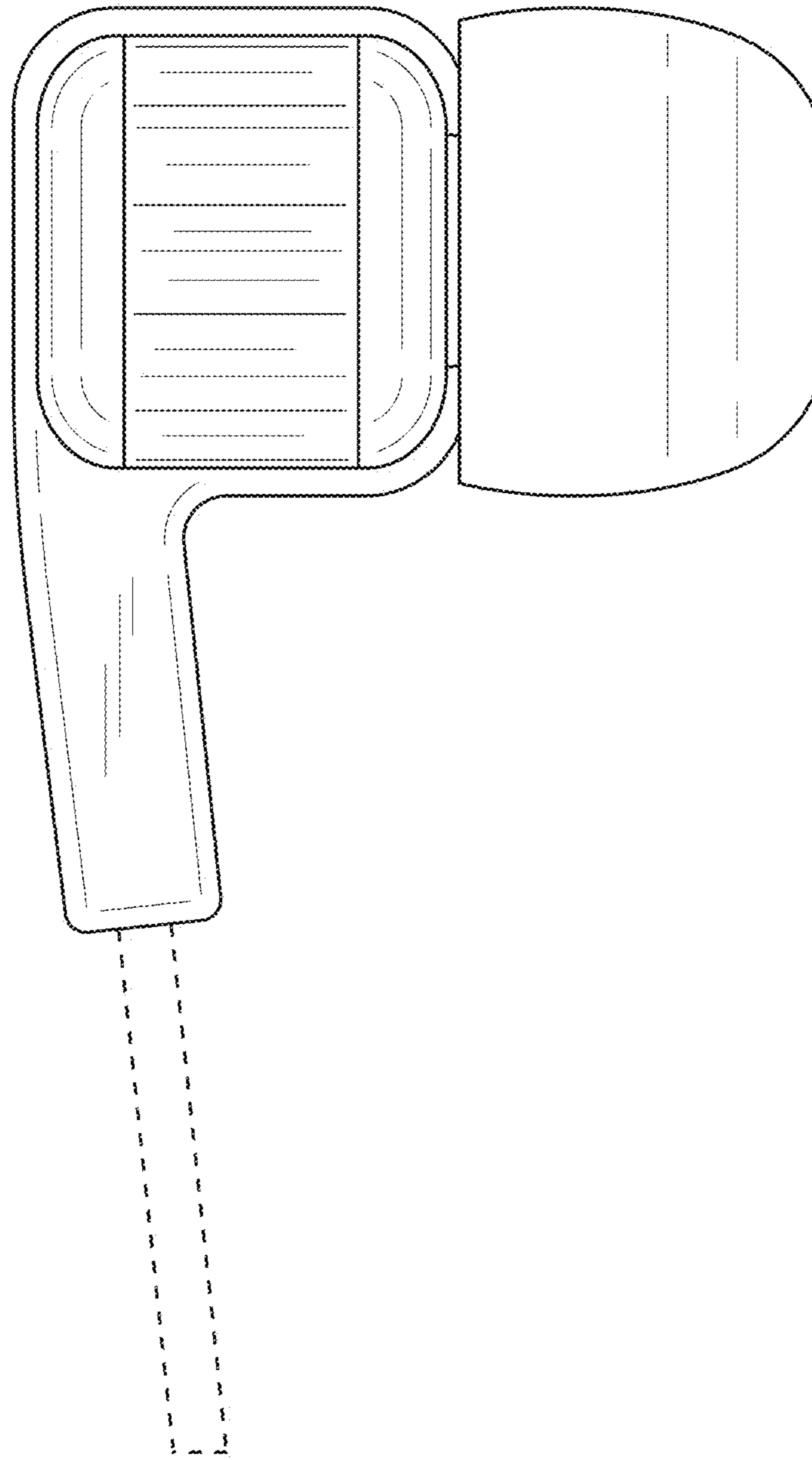


FIG.4

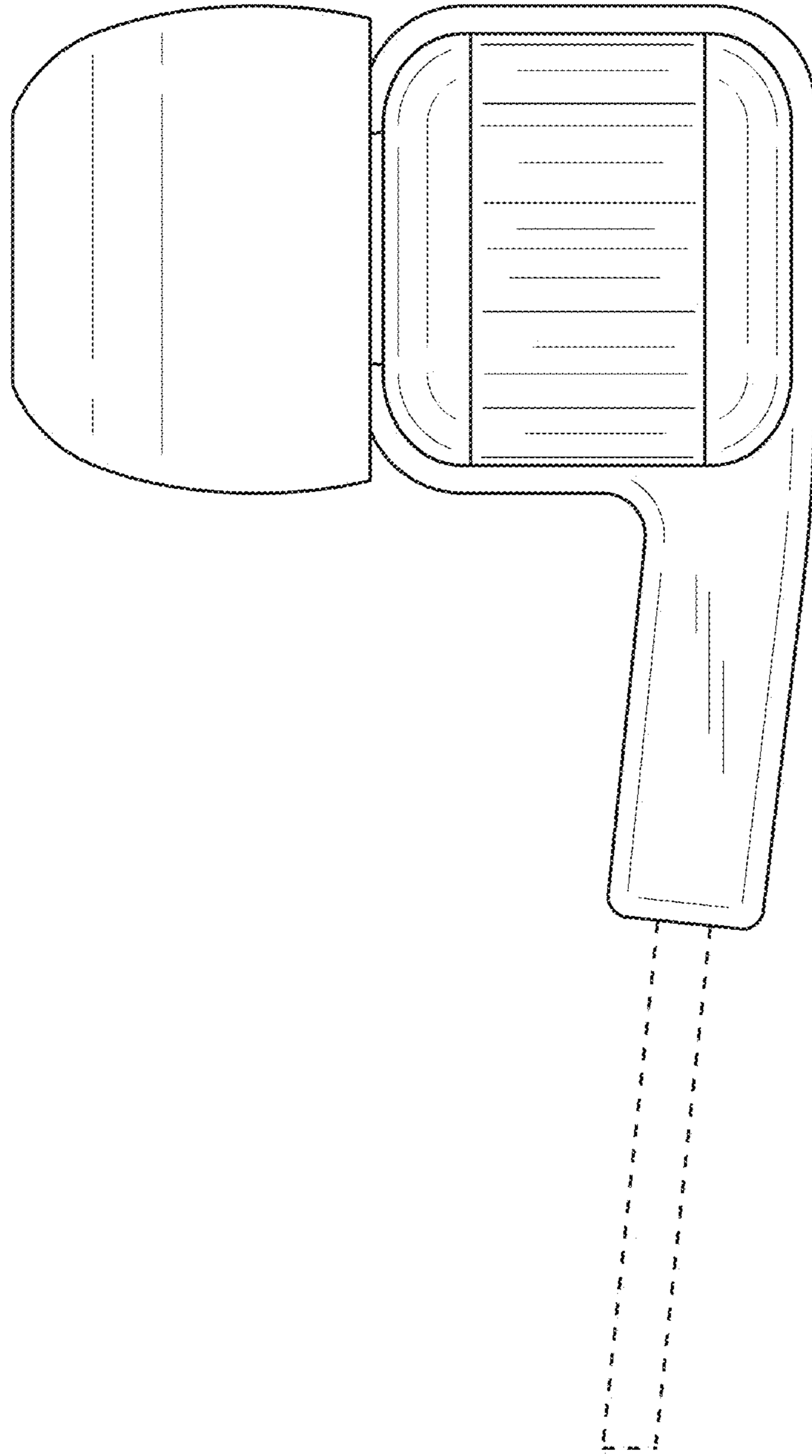


FIG. 5

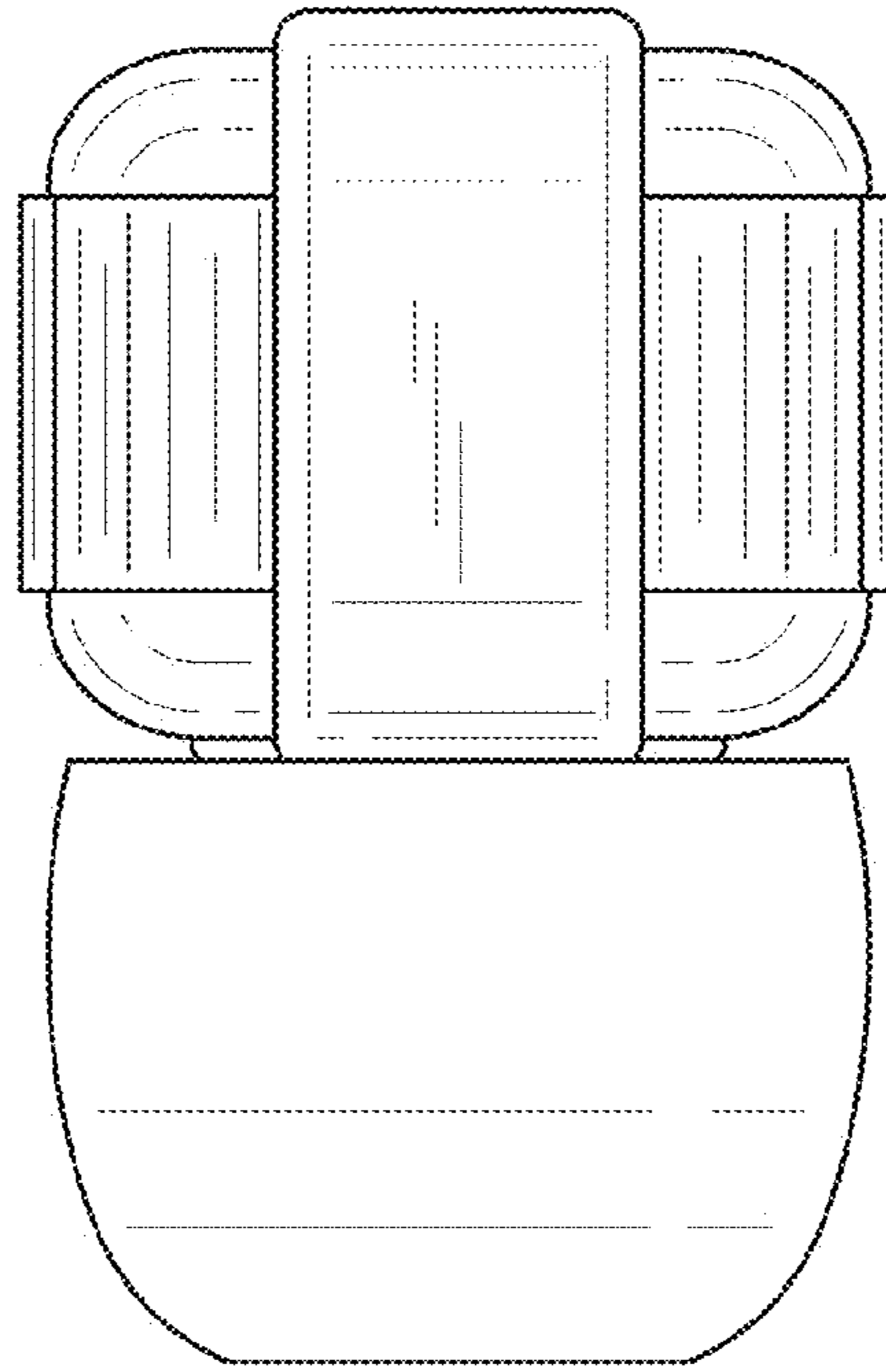


FIG. 6

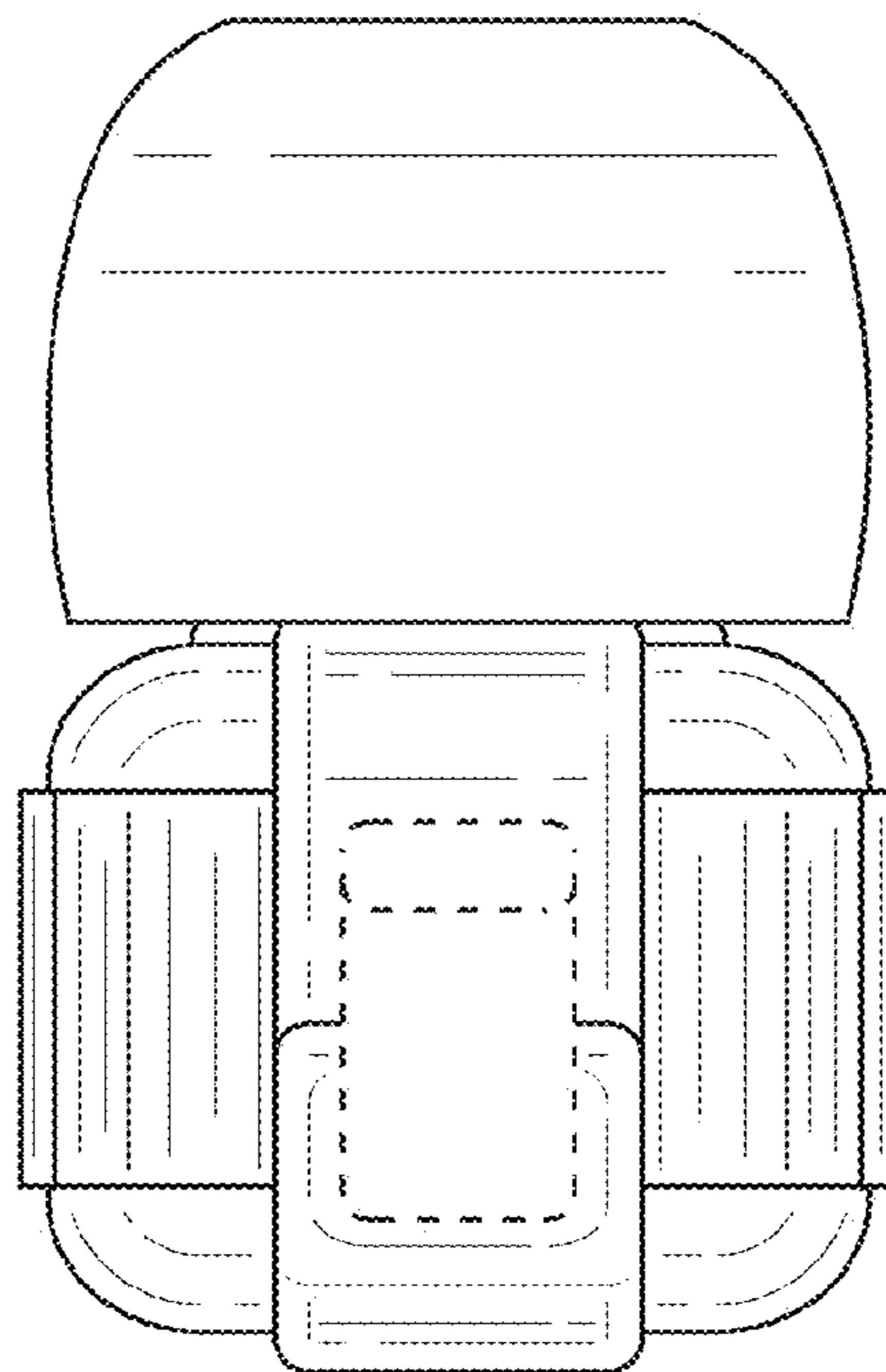


FIG. 7