



US00D689040S

(12) **United States Design Patent**
Calhoun

(10) **Patent No.:** **US D689,040 S**

(45) **Date of Patent:** **** Sep. 3, 2013**

(54) **SPEAKER ENCLOSURE**

(76) Inventor: **John Calhoun**, San Jose, CA (US)

(**) Term: **14 Years**

(21) Appl. No.: **29/431,856**

(22) Filed: **Sep. 11, 2012**

(51) **LOC (9) Cl.** **14-03**

(52) **U.S. Cl.**
USPC **D14/210; D14/215**

(58) **Field of Classification Search**
USPC D14/168, 172, 194-196, 204, 207,
D14/209.1, 210-216, 221, 222; 181/143,
181/144, 147, 148, 150, 153, 157, 198, 199;
381/300-303, 306, 332, 333, 336, 345, 361-364,
381/386-388

See application file for complete search history.

(56) **References Cited**

U.S. PATENT DOCUMENTS

D212,004 S *	8/1968	Emond	D14/210
4,073,365 A *	2/1978	Johnson	181/147
D307,014 S *	4/1990	Newman	D14/210
D358,392 S *	5/1995	Yamazaki	D14/213

D358,393 S *	5/1995	Yamazaki	D14/213
D568,289 S *	5/2008	Solland	D14/204
D578,510 S *	10/2008	Tanaka	D14/215
D626,938 S *	11/2010	Moore et al.	D14/214
D667,811 S *	9/2012	McGillivray et al.	D14/196

* cited by examiner

Primary Examiner — Keli L Hill

(74) *Attorney, Agent, or Firm* — Douglas L. Weller

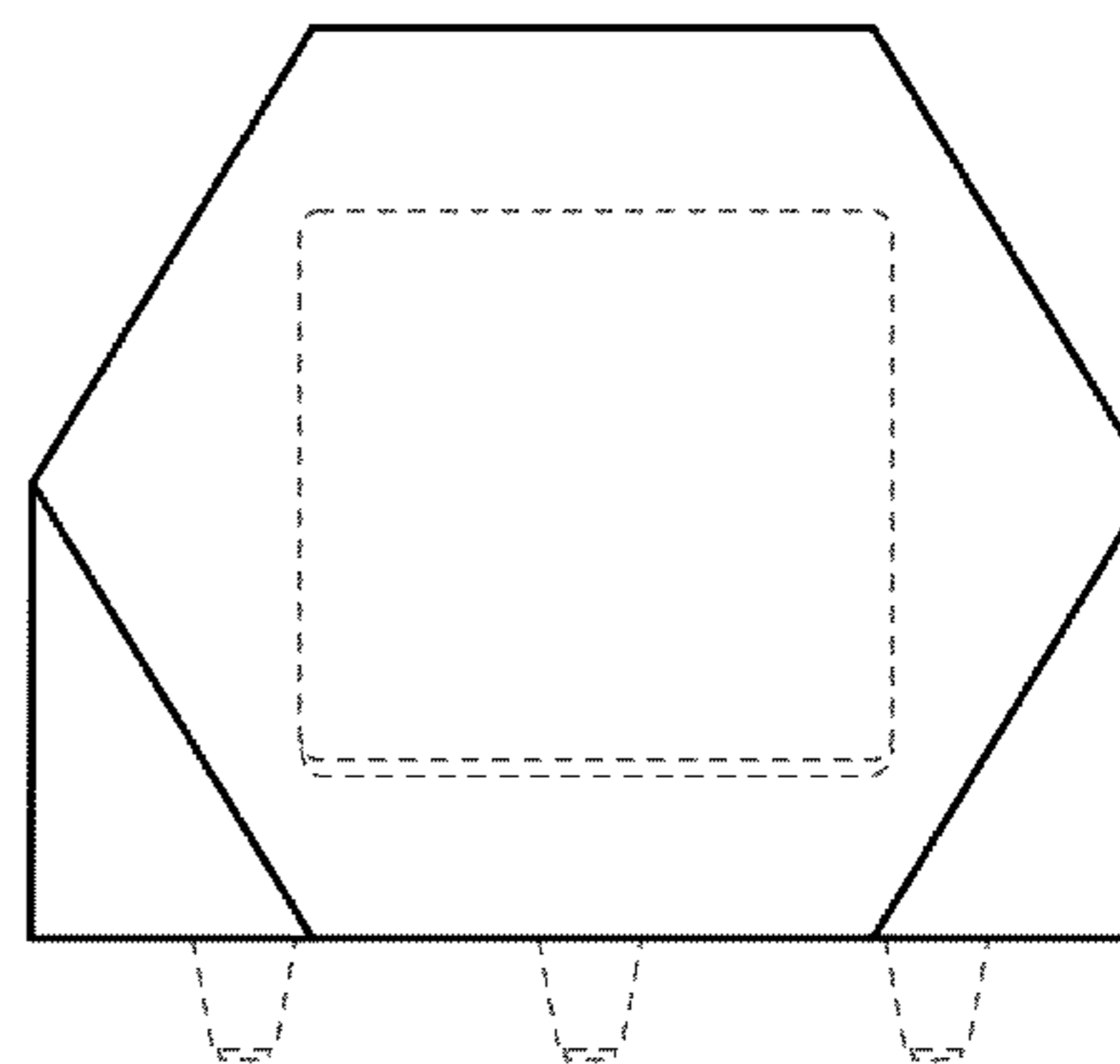
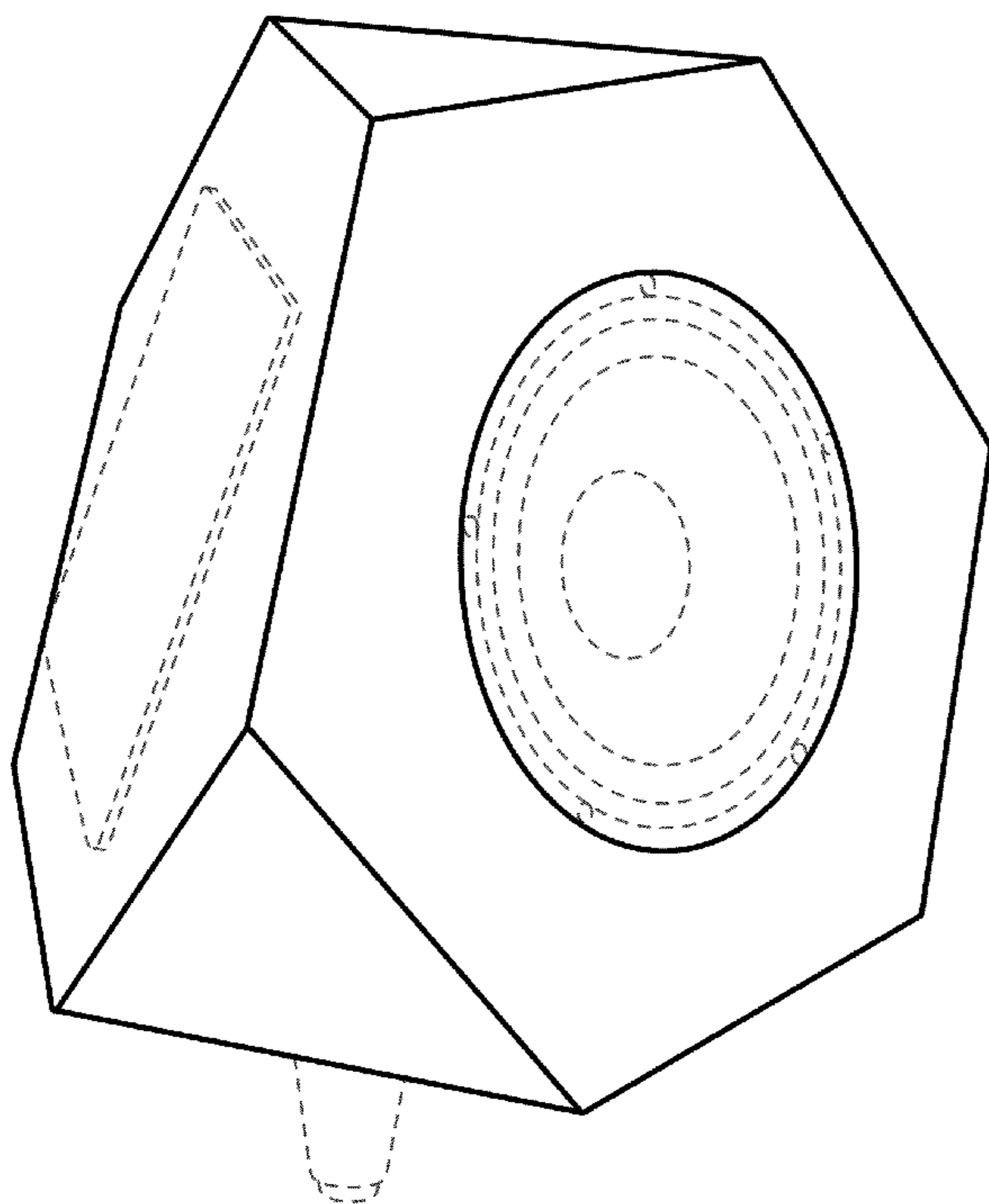
(57) **CLAIM**

The ornamental design for a speaker enclosure, as shown and described.

DESCRIPTION

FIG. 1 is a top rear left perspective view of the speaker enclosure, the right being a mirror image of the left.
FIG. 2 is a top plan view of the speaker enclosure.
FIG. 3 is a bottom plan view of the speaker enclosure.
FIG. 4 is a front elevational view of the speaker enclosure; and,
FIG. 5 is a rear elevational view of the speaker enclosure.
The broken lines shown are included for the purpose of illustrating portions of the speaker enclosure that form no part of the claim.

1 Claim, 3 Drawing Sheets



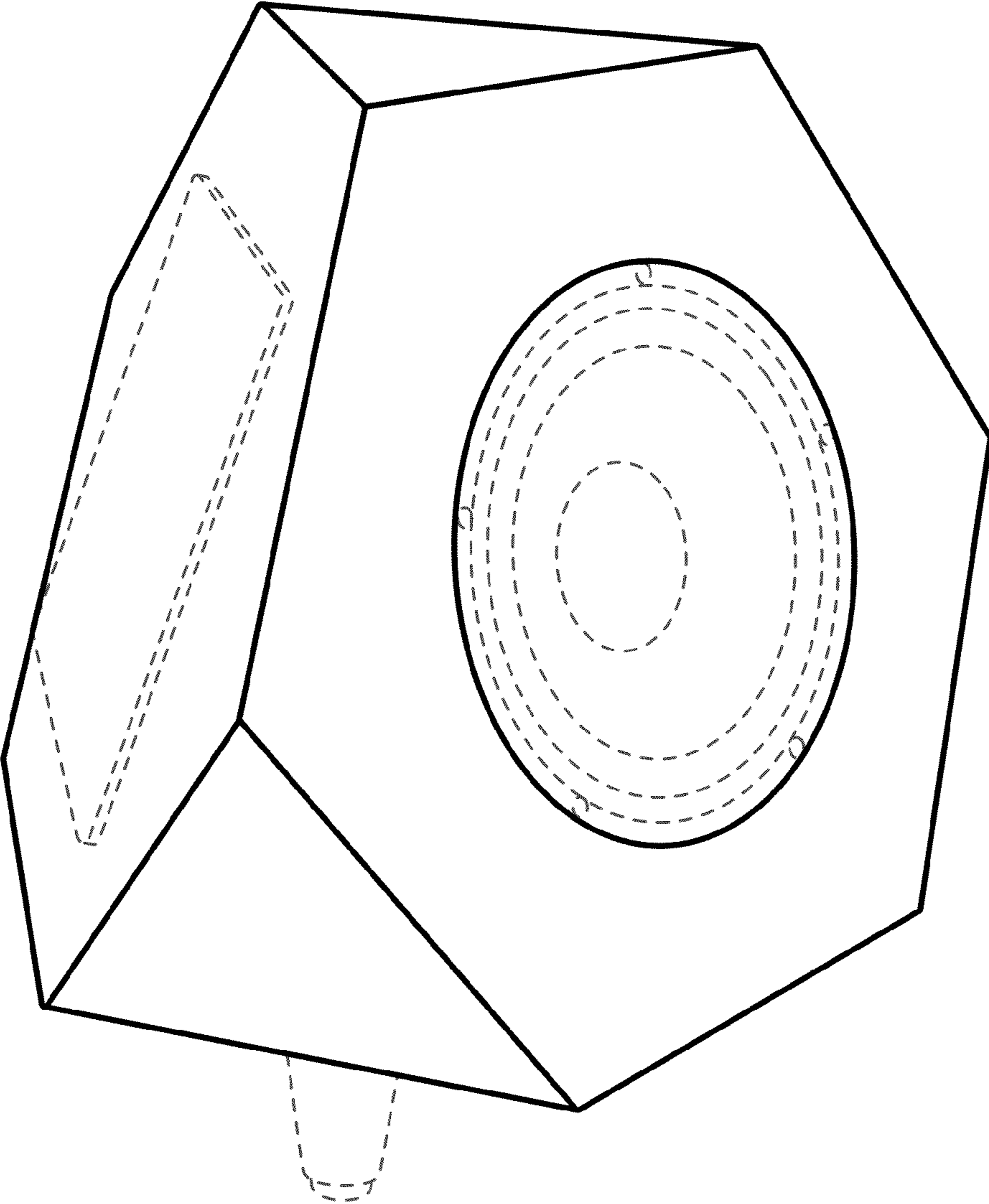


Figure 1

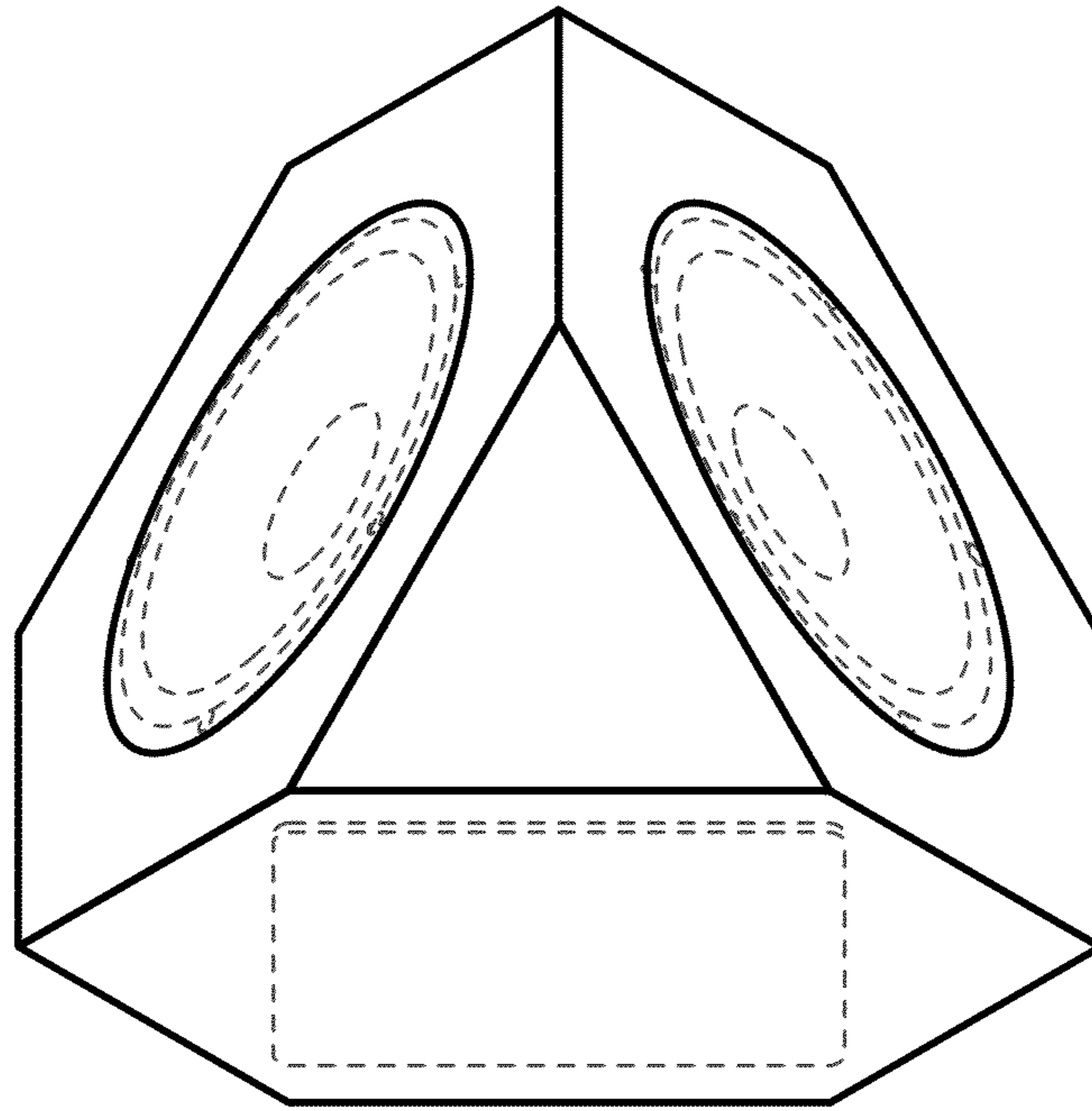


Figure 2

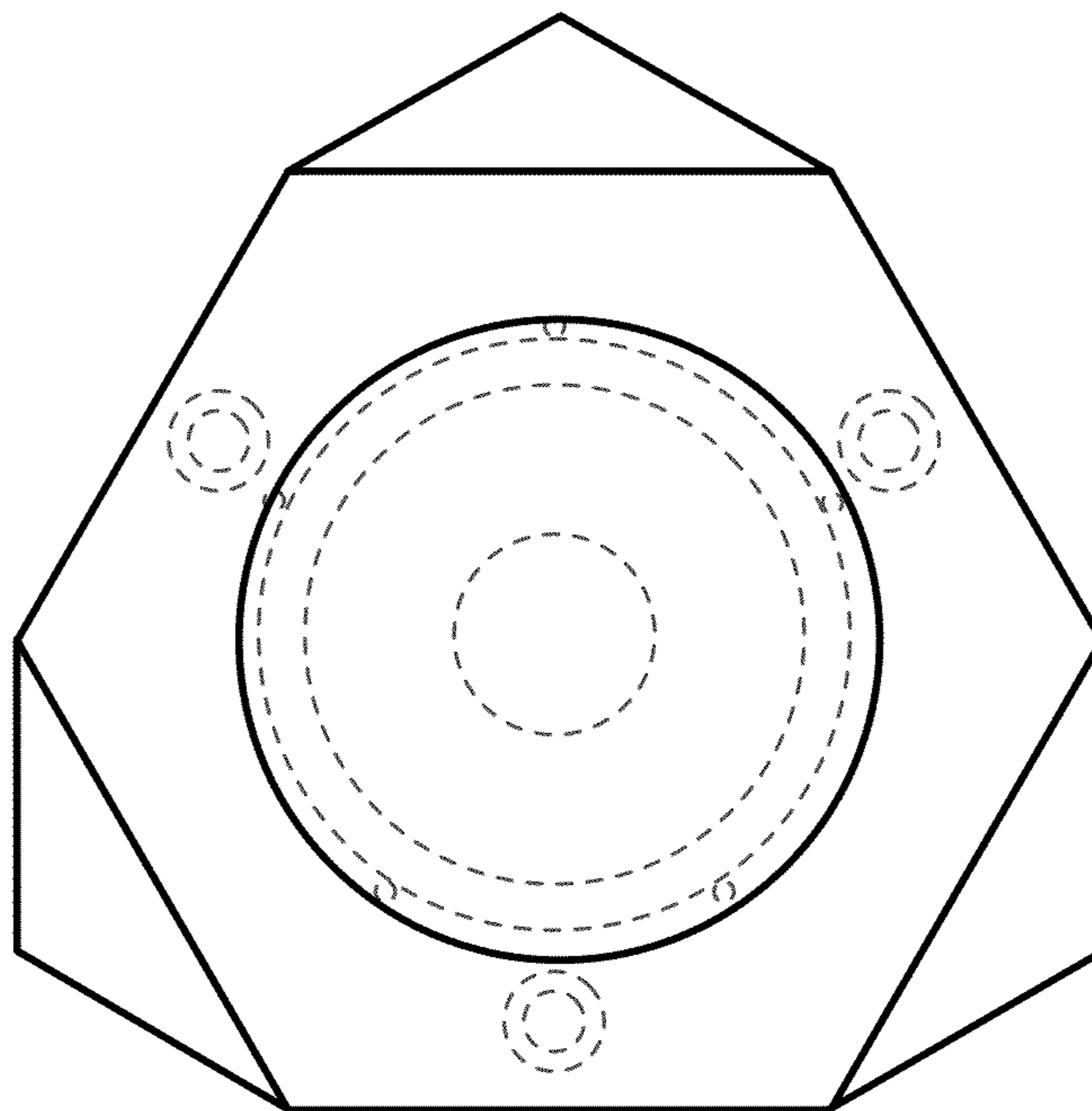


Figure 3

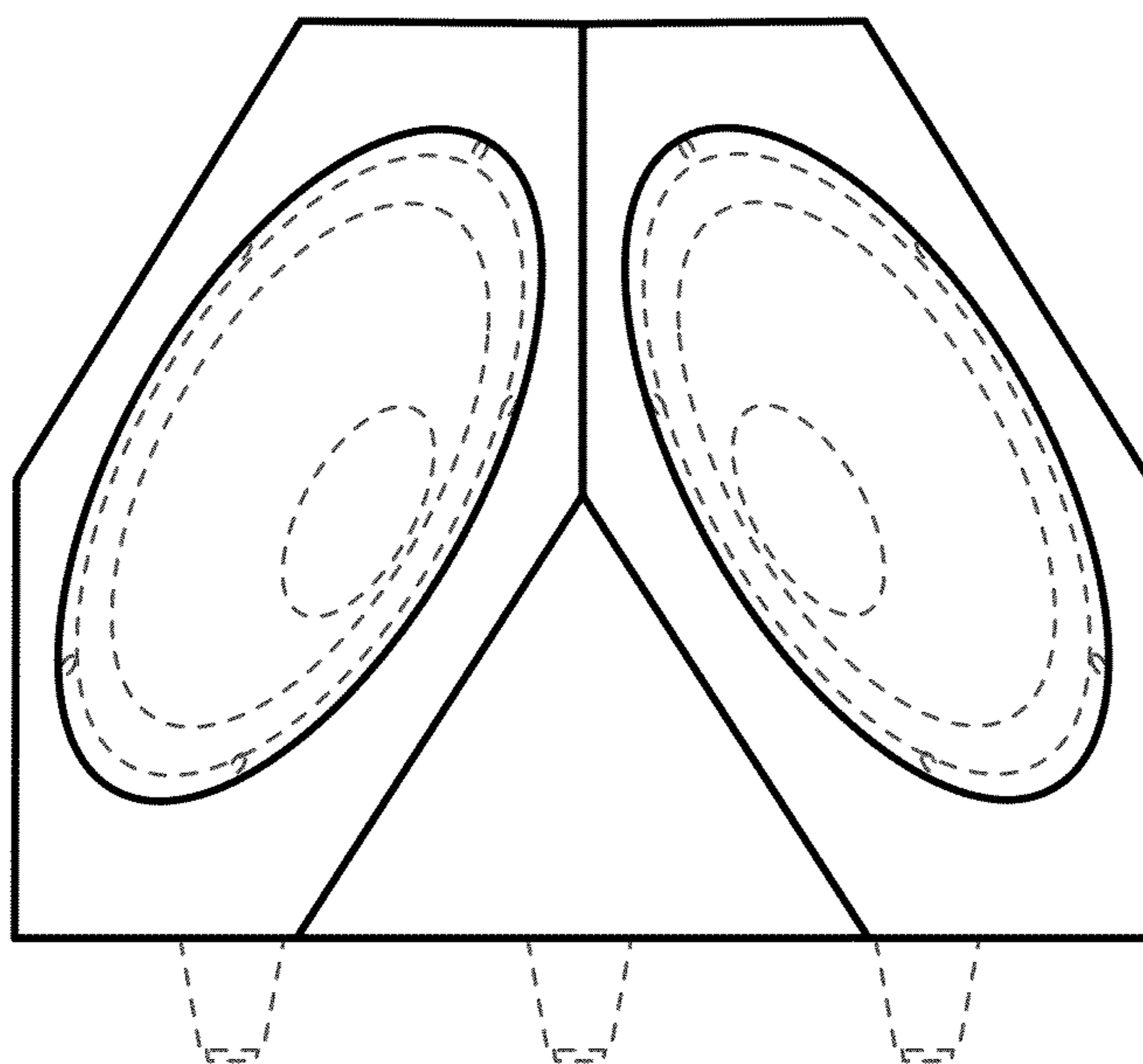


Figure 4

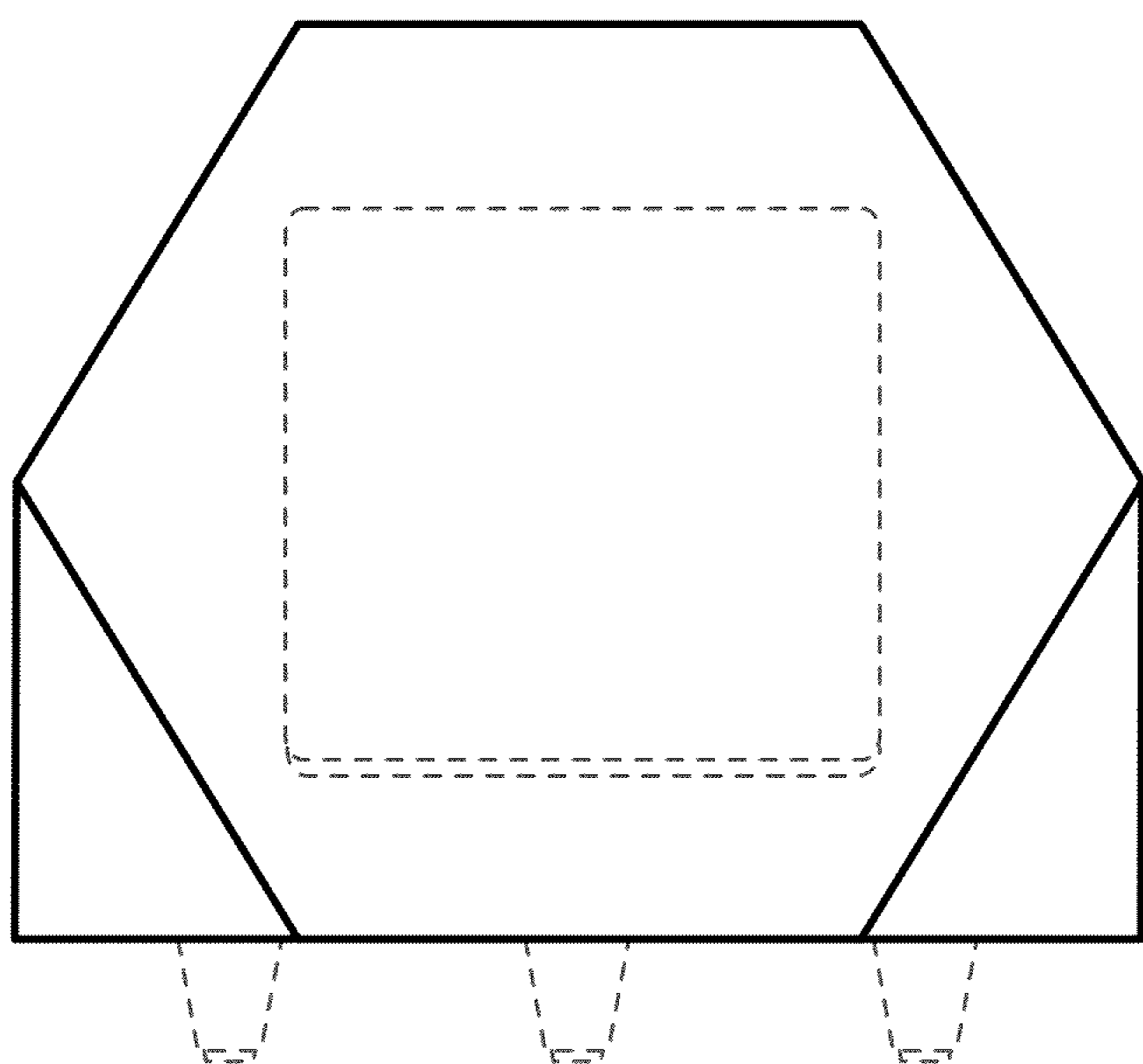


Figure 5