



US00D689039S

(12) **United States Design Patent**  
**Liu**

(10) **Patent No.:** **US D689,039 S**  
(45) **Date of Patent:** **\*\* Sep. 3, 2013**

- (54) **STEREO SET**
- (75) **Inventor:** **Hua-Yu Liu**, New Taipei (TW)
- (73) **Assignee:** **Alljack Co., Ltd.**, New Taipei (TW)
- (\*\*) **Term:** **14 Years**
- (21) **Appl. No.:** **29/427,014**
- (22) **Filed:** **Jul. 12, 2012**
- (51) **LOC (9) Cl.** ..... **14-03**
- (52) **U.S. Cl.**  
USPC ..... **D14/203.8; D14/209.1**
- (58) **Field of Classification Search**  
USPC ..... D14/204, 218, 172, 210–216, 209.1,  
D14/496, 497, 137, 168, 181, 185, 188, 299,  
D14/203.1–203.8; 181/143, 147, 148, 150,  
181/153, 157, 198, 199, 166, 144;  
381/300–303, 306, 332, 333, 336, 345, 361–364,  
381/370, 386–388; 455/344–351; 84/609–614,  
84/634–638; 434/307 A, 307 R, 309, 318;  
352/1, 6–10  
See application file for complete search history.

D423,821	S	*	5/2000	Crump	.....	D6/466
6,645,067	B1	*	11/2003	Okita et al.	.....	463/7
D610,570	S	*	2/2010	Upham et al.	.....	D14/209.1
D614,202	S	*	4/2010	Strauser	.....	D14/497
D645,847	S	*	9/2011	Chau	.....	D14/217
8,042,961	B2	*	10/2011	Massara et al.	.....	362/86
8,252,227	B2	*	8/2012	Bardat	.....	422/1
D683,330	S	*	5/2013	Ryu et al.	.....	D14/209.1

\* cited by examiner

*Primary Examiner* — Prabhakar Deshmukh  
(74) *Attorney, Agent, or Firm* — Chun-Ming Shih; HDLS IPR Services

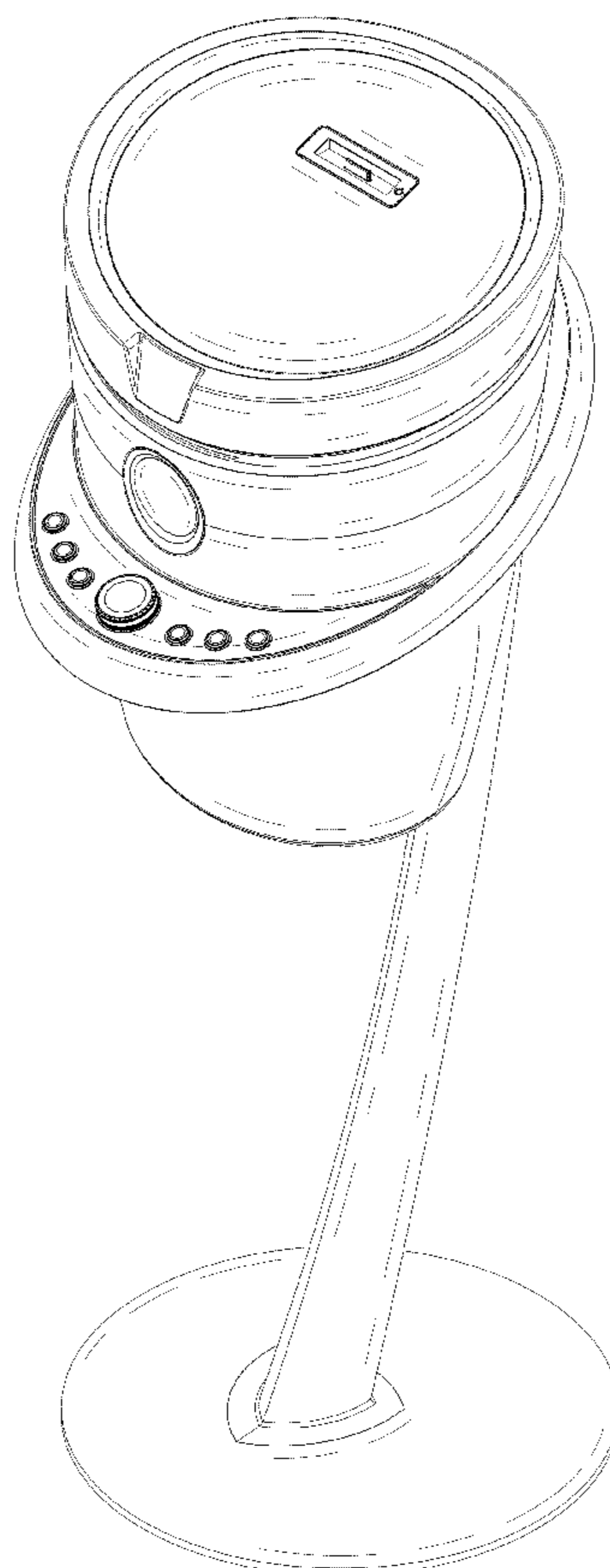
(57) **CLAIM**  
The ornamental design for a stereo set, as shown and described.

**DESCRIPTION**

FIG. 1 is a perspective view of a stereo set showing my new design;  
FIG. 2 is a front view thereof;  
FIG. 3 is a rear view thereof;  
FIG. 4 is a left side view thereof;  
FIG. 5 is a right side view thereof;  
FIG. 6 is a top view thereof; and,  
FIG. 7 is a bottom view thereof.

**1 Claim, 6 Drawing Sheets**

- (56) **References Cited**  
  
U.S. PATENT DOCUMENTS  
D379,454 S \* 5/1997 Kruse et al. .... D14/496  
D417,872 S \* 12/1999 Monson ..... D14/211



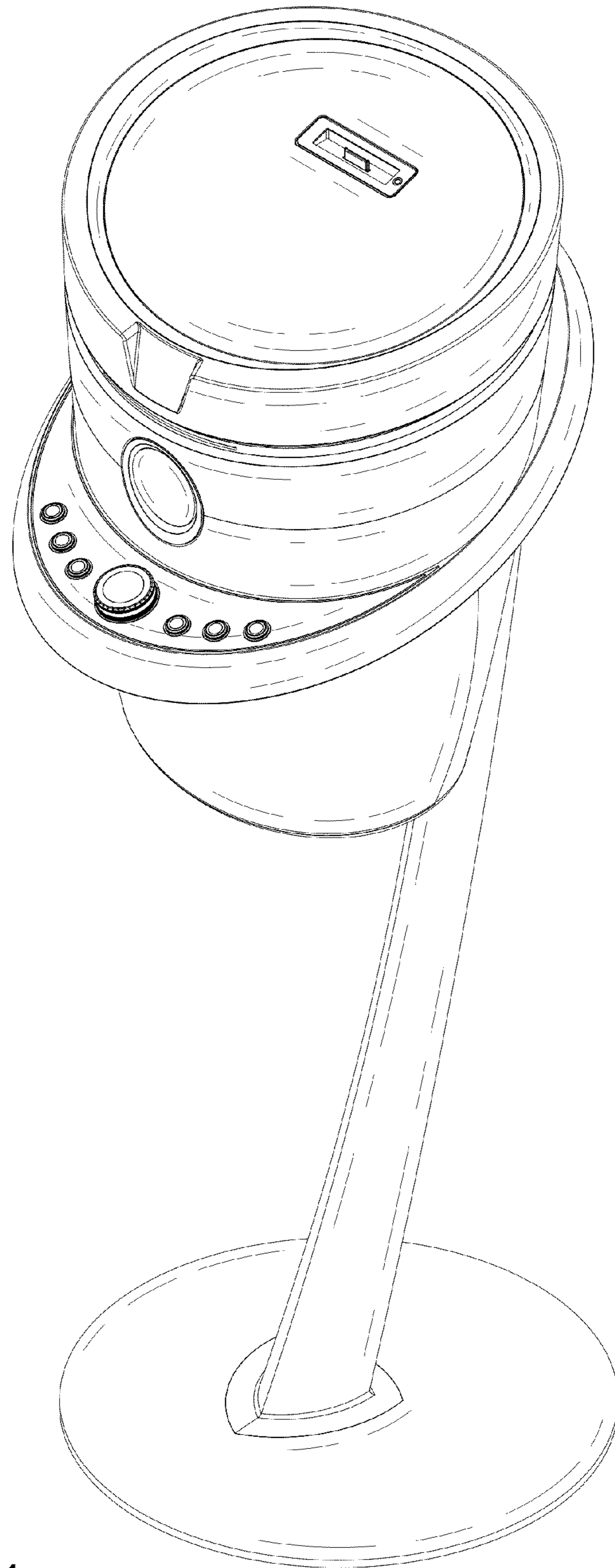


FIG.1

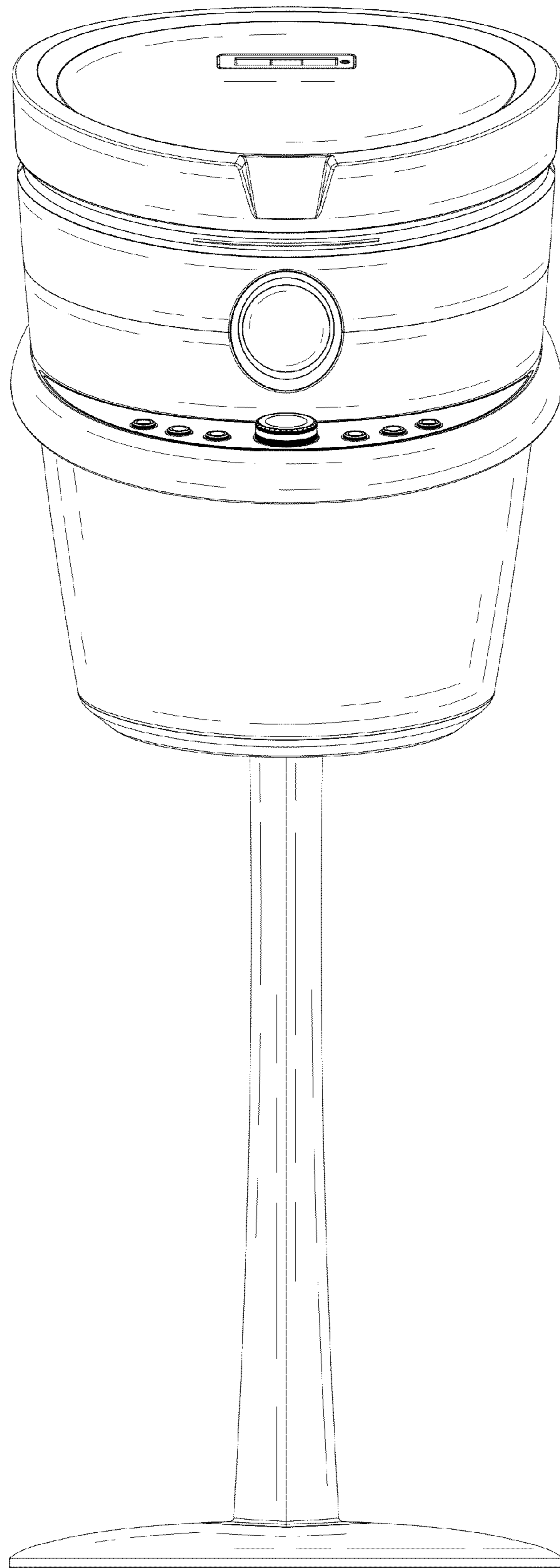


FIG.2

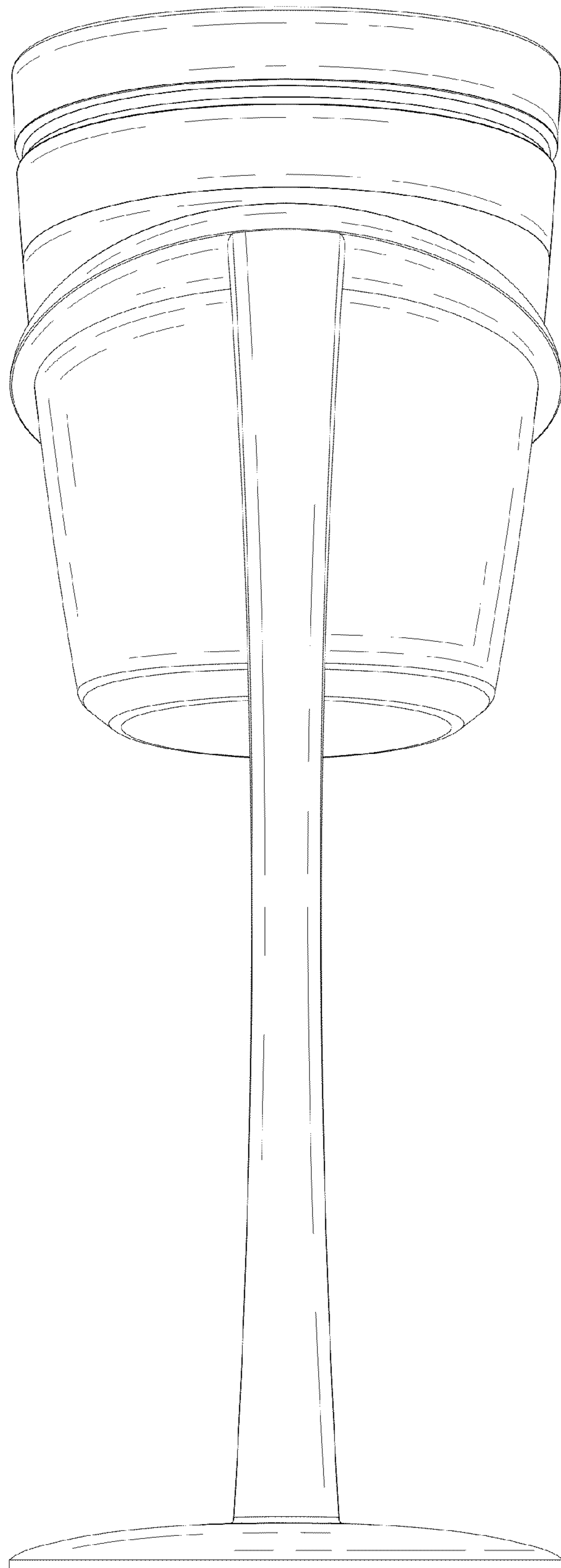


FIG.3

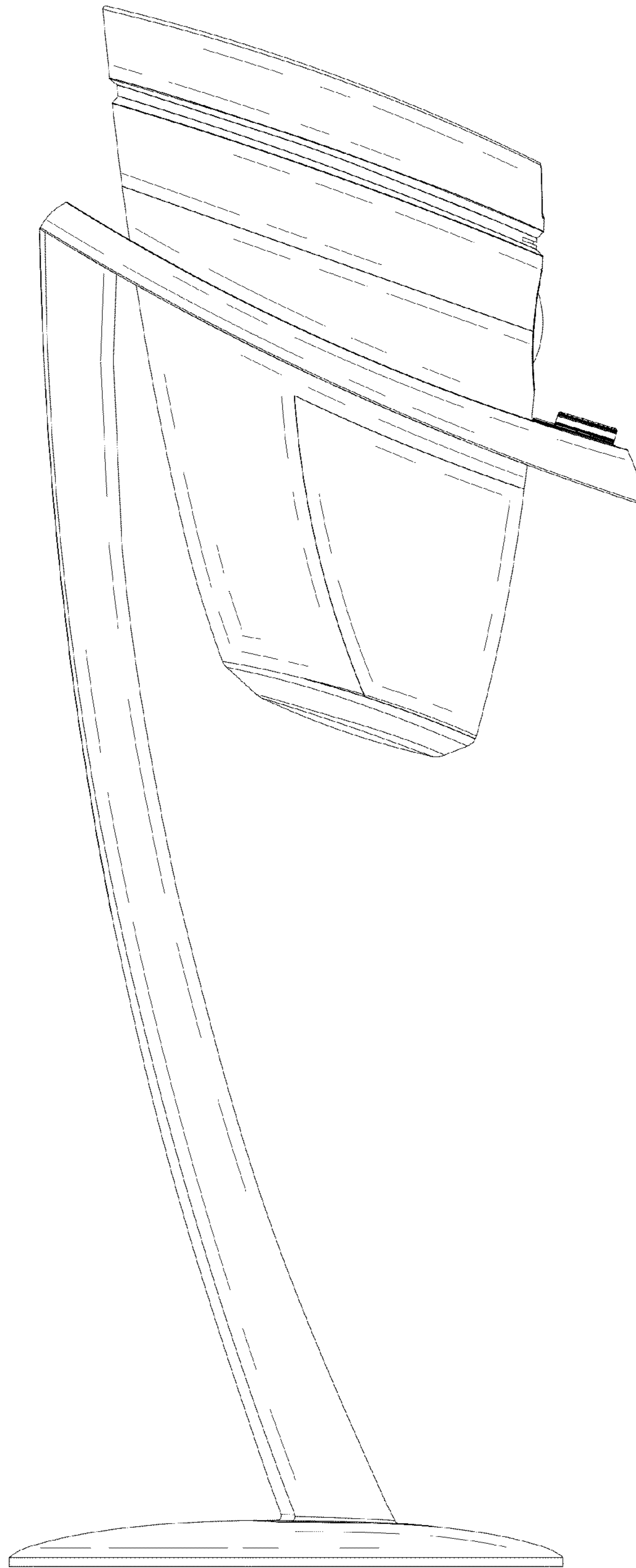


FIG.4

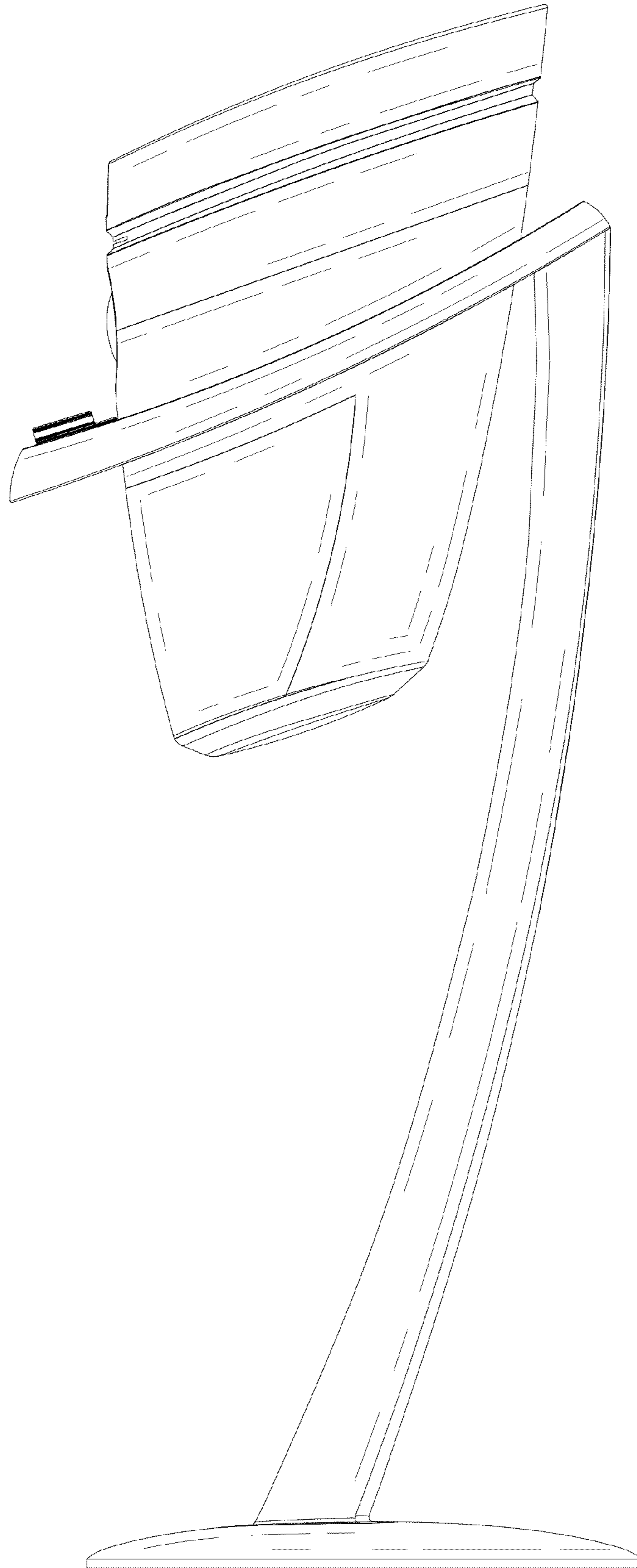


FIG.5

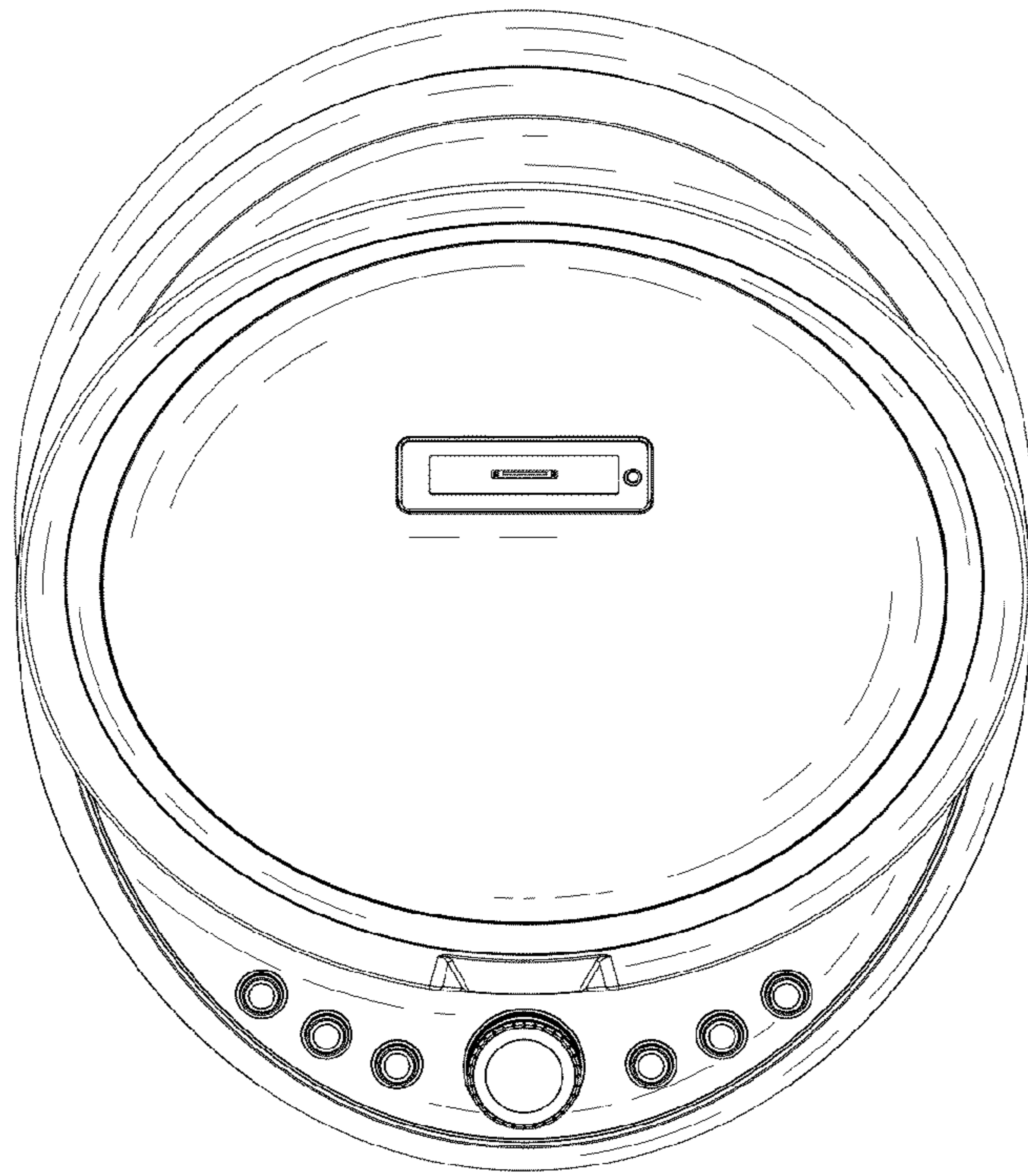


FIG. 6

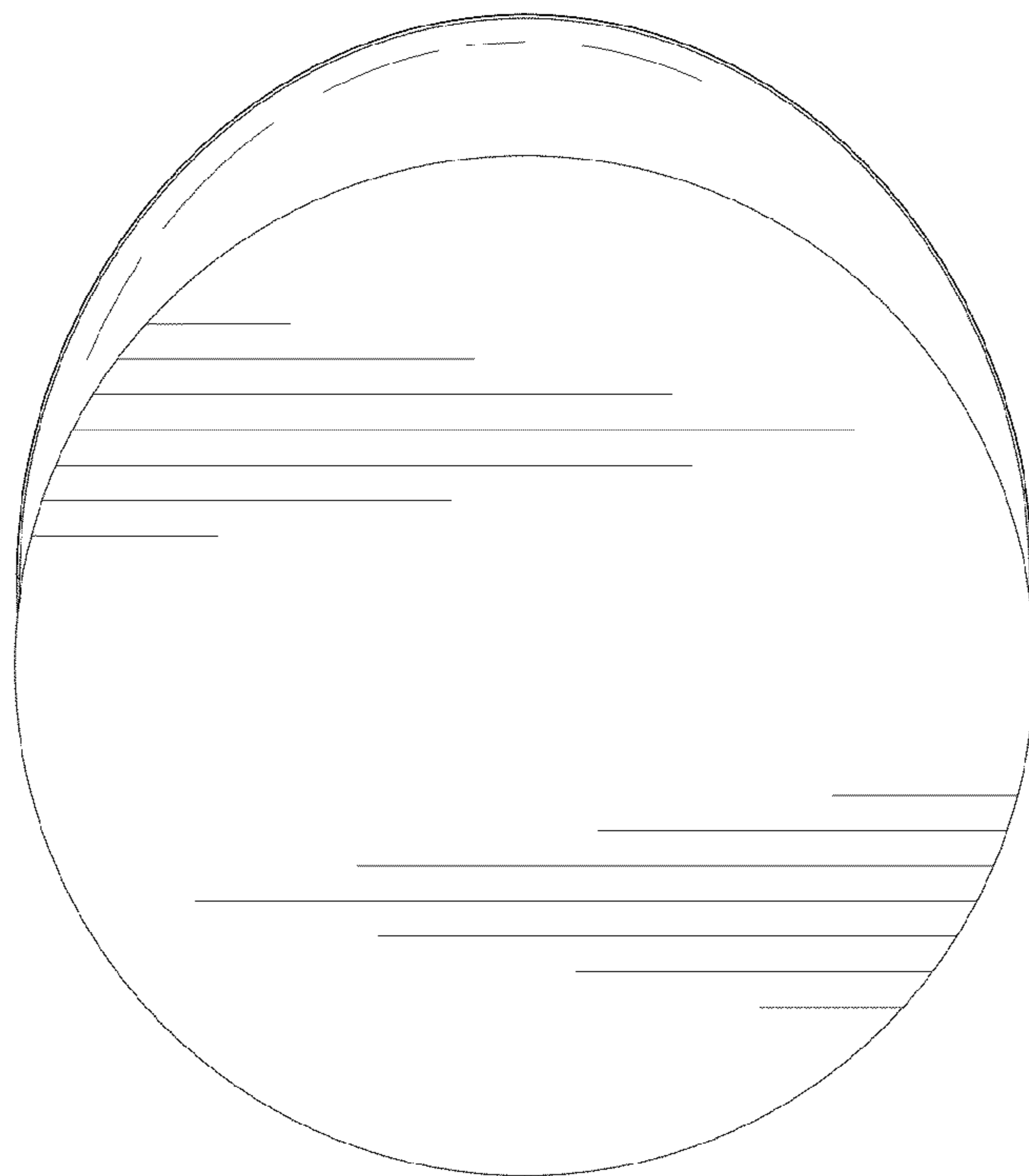


FIG. 7