



US00D689038S

(12) **United States Design Patent**  
**Poandl**

(10) **Patent No.:** **US D689,038 S**  
(45) **Date of Patent:** **\*\* Sep. 3, 2013**

(54) **PORTABLE MEDIA PLAYER SPEAKER SYSTEM WITH SLIDING COVER**

*Primary Examiner* — Prabhakar Deshmukh  
(74) *Attorney, Agent, or Firm* — Ostrolenk Faber LLP

(75) Inventor: **Mary Beth Poandl**, Red Bank, NJ (US)

(57) **CLAIM**

The ornamental design for a portable media player speaker system with sliding cover, as shown and described.

(73) Assignee: **SDI Technologies, Inc.**, Rahway, NJ (US)

**DESCRIPTION**

(\*\*) Term: **14 Years**

(21) Appl. No.: **29/415,086**

(22) Filed: **Mar. 7, 2012**

(51) **LOC (9) Cl.** ..... **D14/172; D14/209.1**

(52) **U.S. Cl.**  
USPC ..... **D14/172; D14/209.1**

(58) **Field of Classification Search**  
USPC ..... D14/204, 204.1, 210–216, 172, 209.1;  
181/143, 144, 147, 148, 150–153, 157, 198,  
181/199; 381/300–306, 332, 333, 336, 345,  
381/361–364

See application file for complete search history.

FIG. 1 is a front, top, right side, perspective view of a portable media player speaker system with sliding cover showing my new design in a first condition;  
FIG. 2 is a front view thereof;  
FIG. 3 is a rear view thereof;  
FIG. 4 is a top view thereof;  
FIG. 5 is a bottom view thereof;  
FIG. 6 is a side view thereof, the opposite side view being a mirror image;  
FIG. 7 is a cross-sectional view thereof along line 7-7 in FIG. 2 at an enlarged scale;  
FIG. 8 is a front, top, right side, perspective view thereof in a second condition;  
FIG. 9 is a front view thereof;  
FIG. 10 is a rear view thereof;  
FIG. 11 is a top view thereof;  
FIG. 12 is a bottom view thereof;  
FIG. 13 is a side view thereof, the opposite side view being a mirror image; and,  
FIG. 14 is a cross-sectional view thereof along line 14-14 in FIG. 9.

The broken lines in the drawings illustrate environmental material that forms no part of the claimed design.

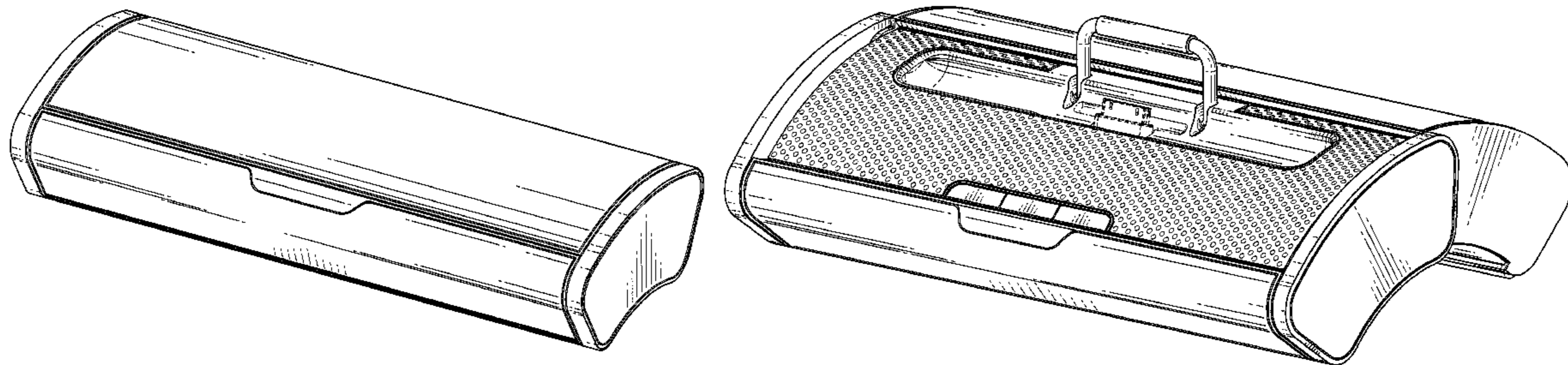
(56) **References Cited**

U.S. PATENT DOCUMENTS

D611,450 S *	3/2010	Miyazaki	.....	D14/209.1
7,689,197 B2 *	3/2010	Laude et al.	.....	455/344
D656,919 S *	4/2012	Skurdal	.....	D14/171
D658,151 S *	4/2012	Joseph	.....	D14/171
8,180,095 B2 *	5/2012	Zhang	.....	381/387
D676,418 S *	2/2013	Suzuki	.....	D14/209.1
D677,244 S *	3/2013	Funayama	.....	D14/209.1

\* cited by examiner

**1 Claim, 14 Drawing Sheets**



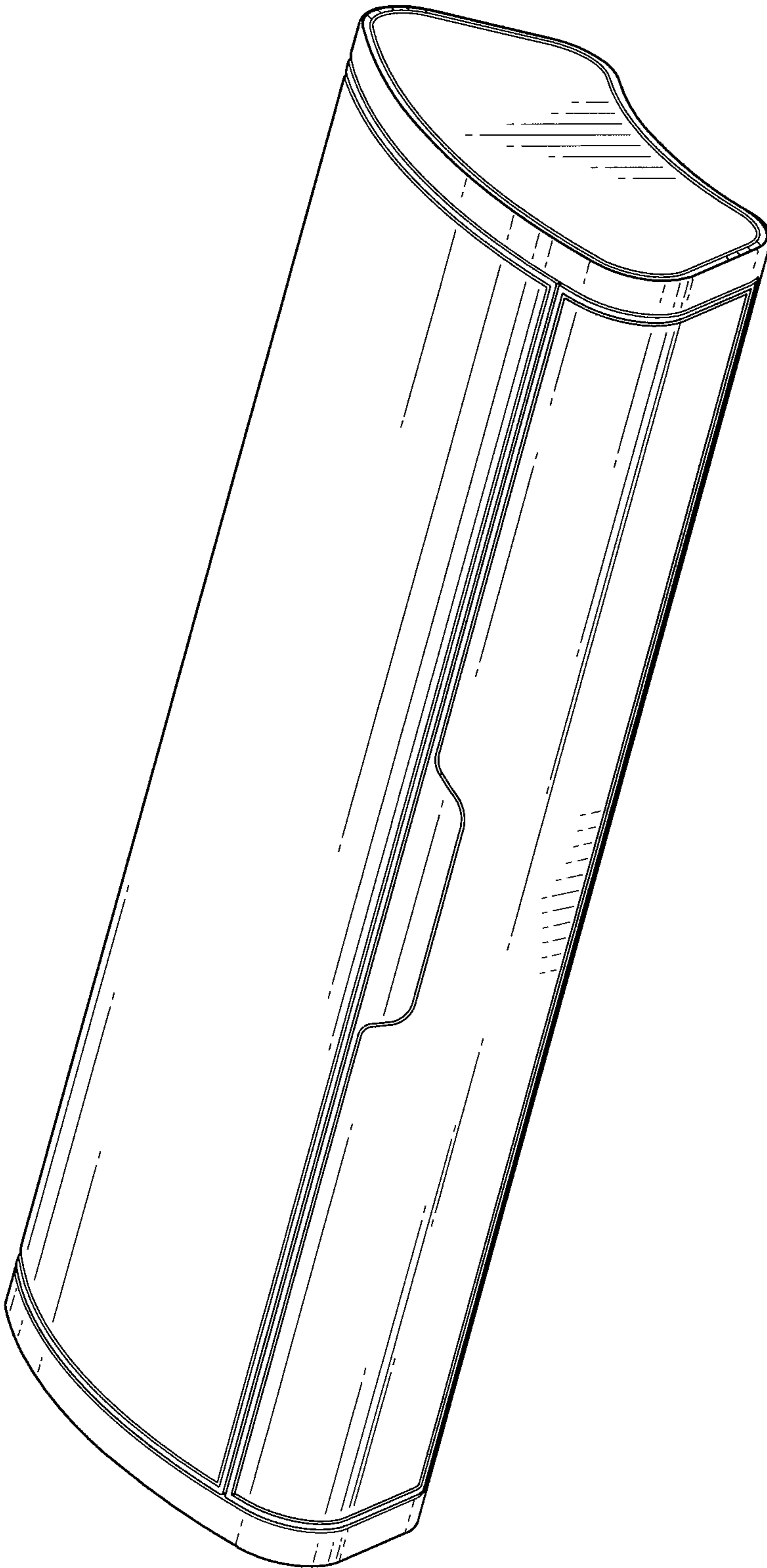


FIG.1

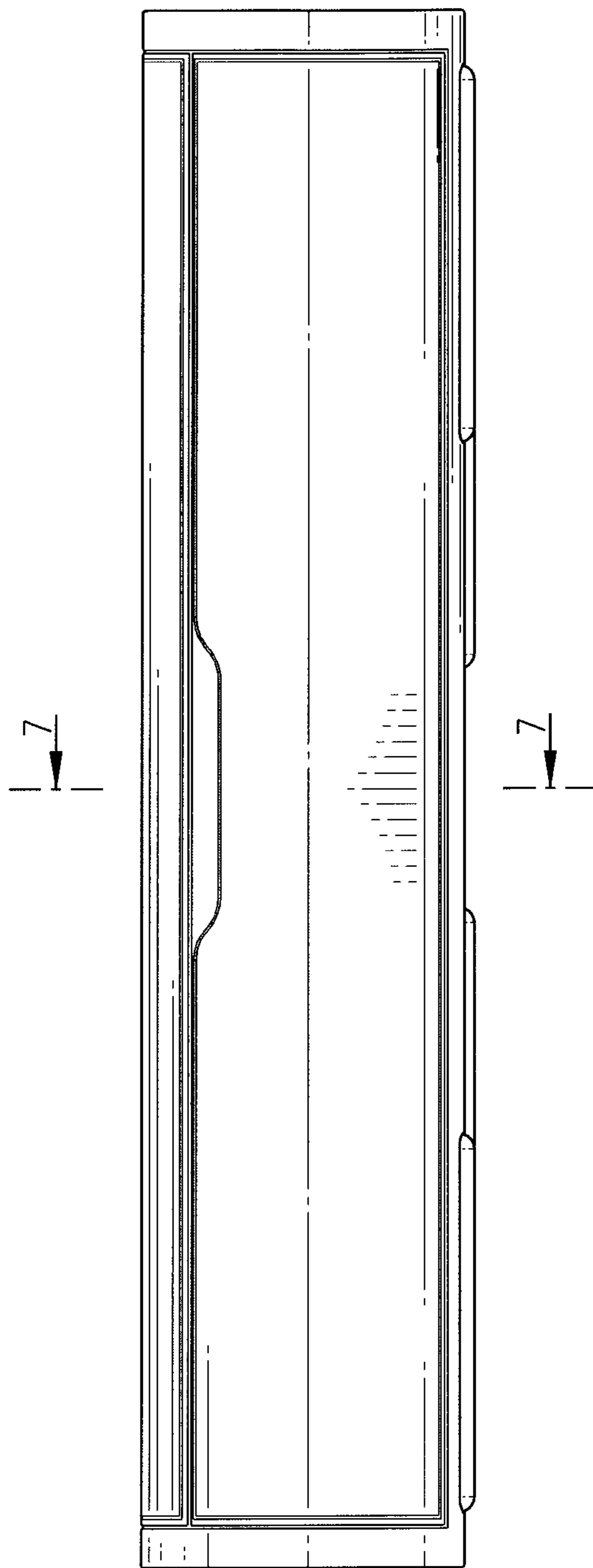


FIG. 2

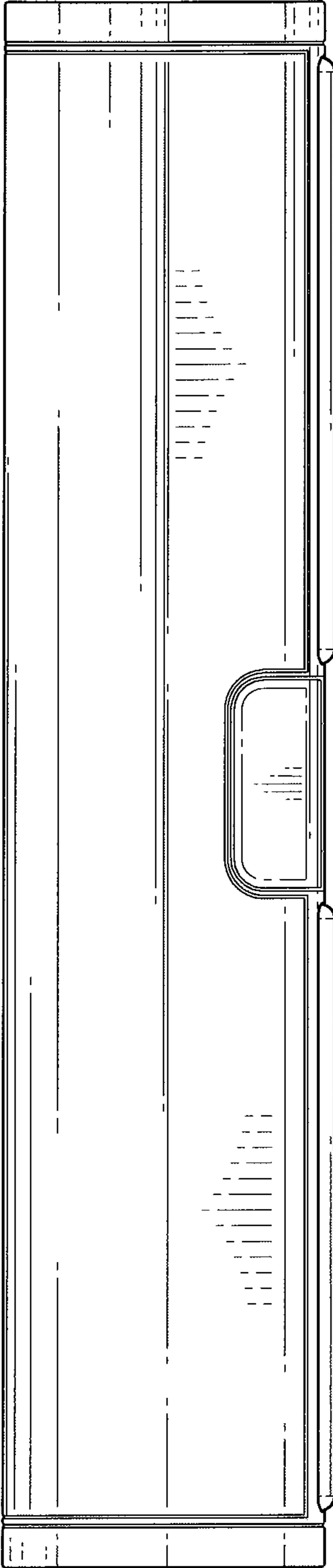


FIG. 3

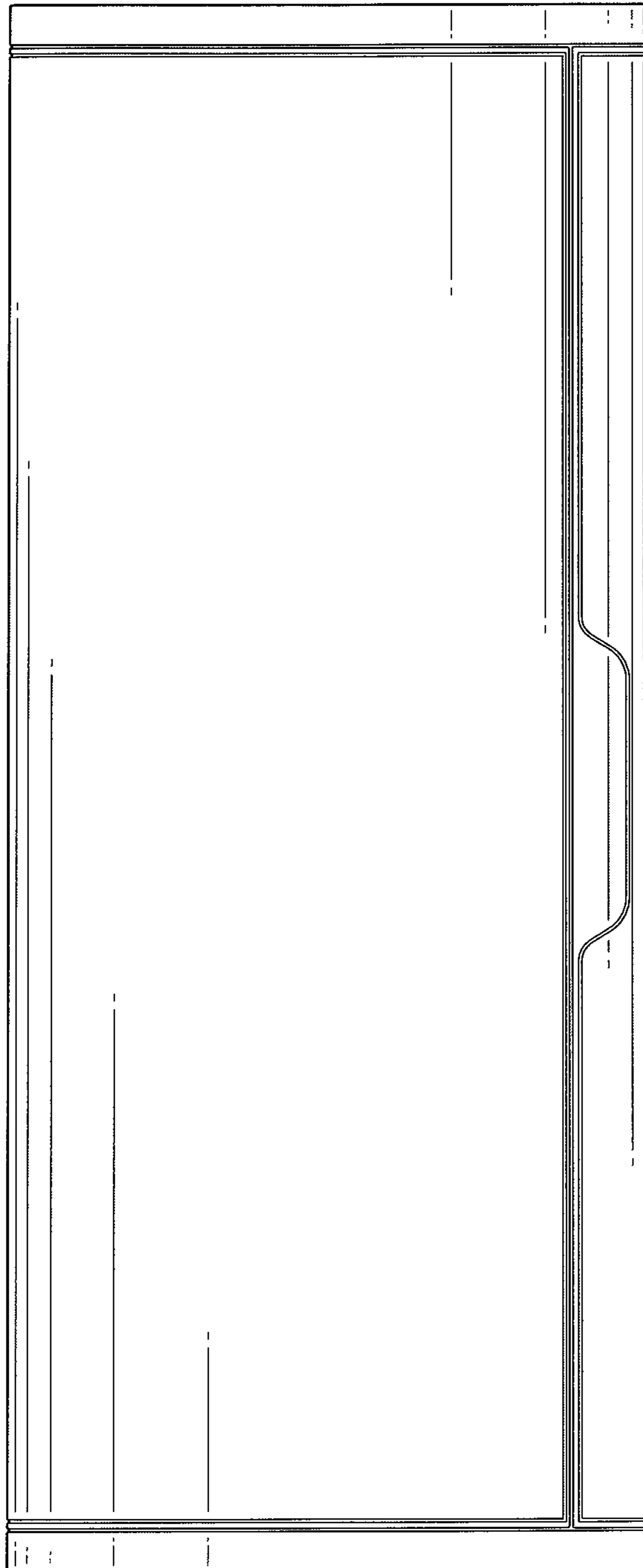


FIG. 4

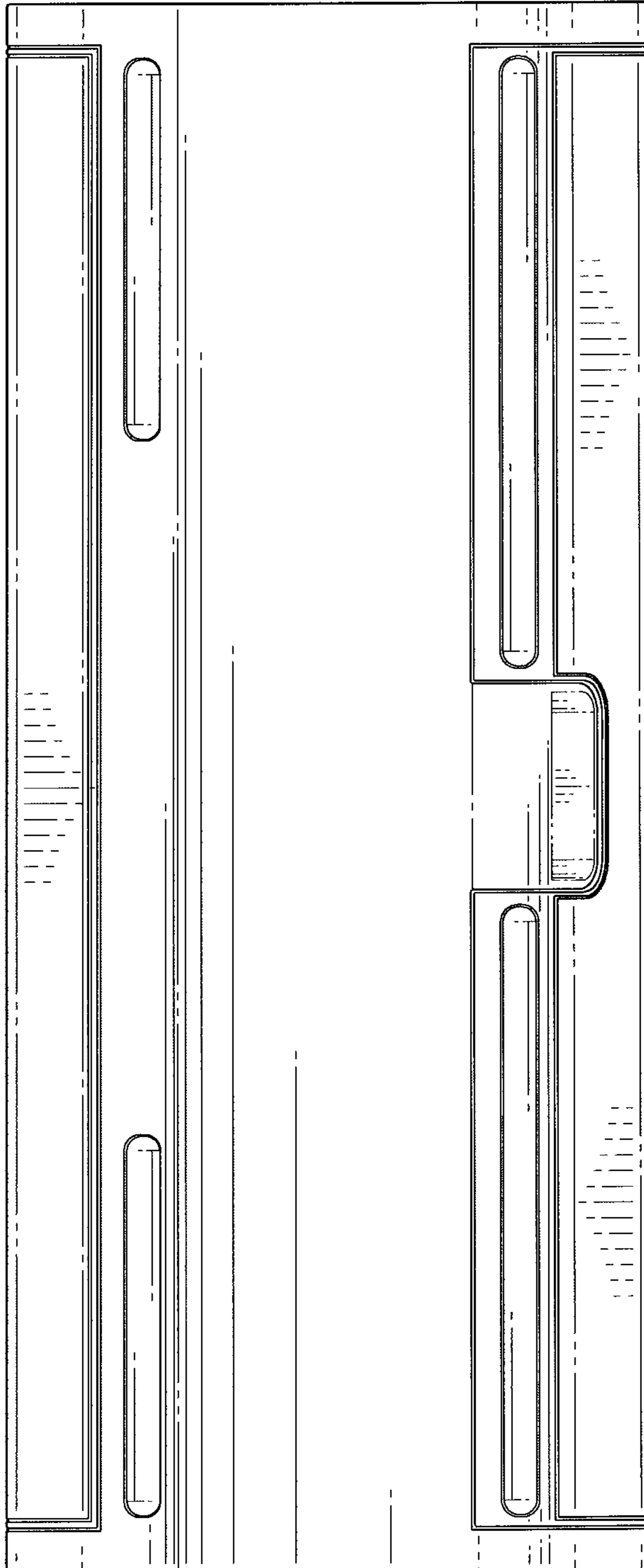


FIG. 5

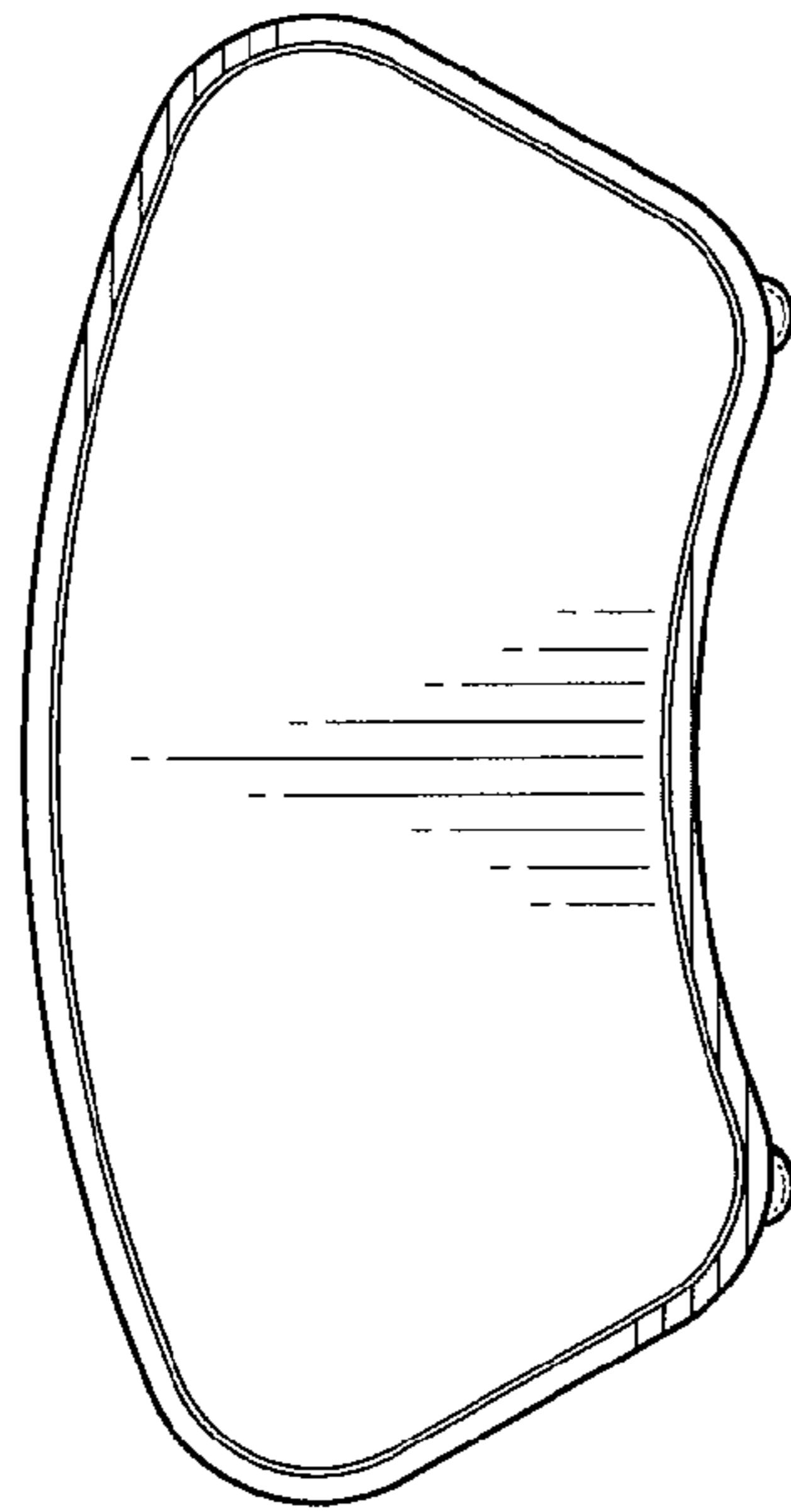


FIG. 6

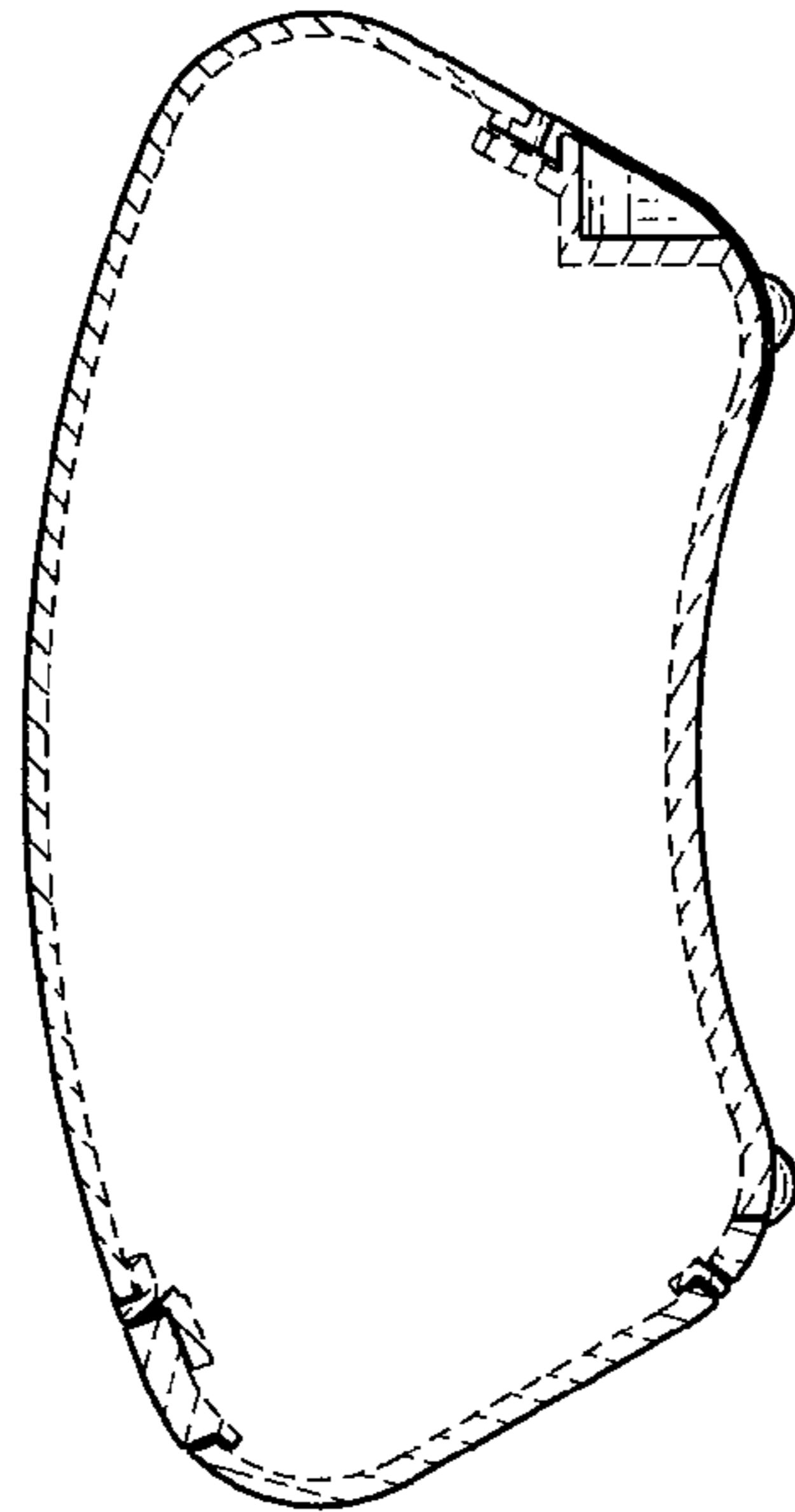


FIG. 7



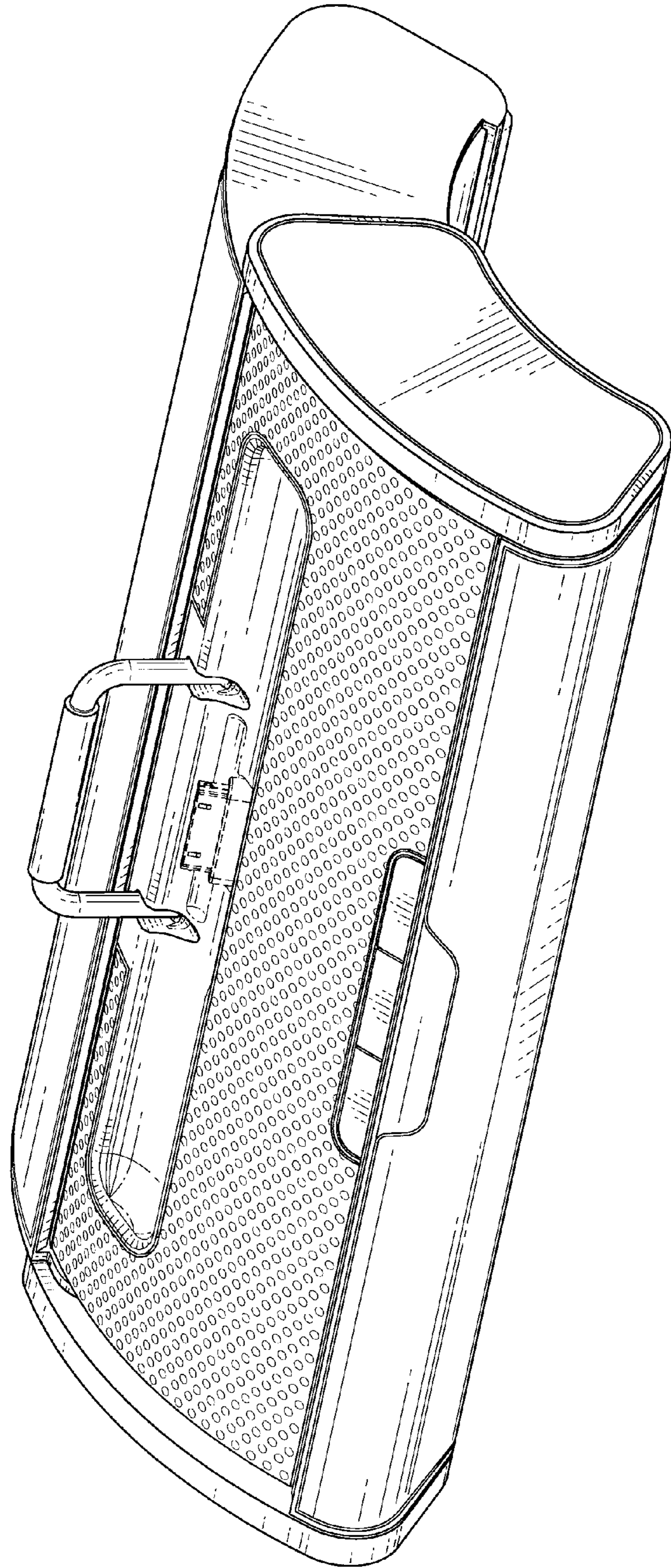


FIG. 8

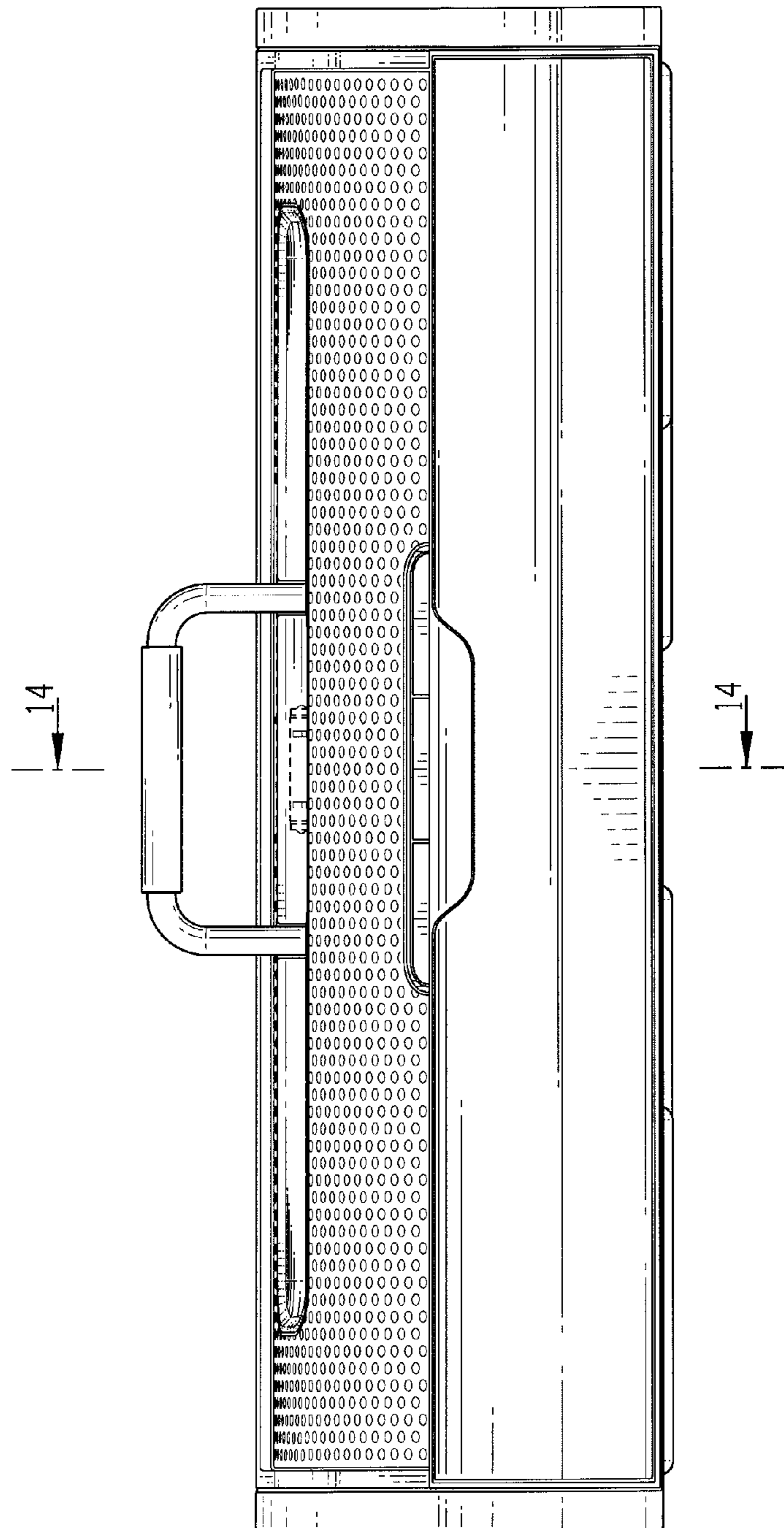


FIG. 9

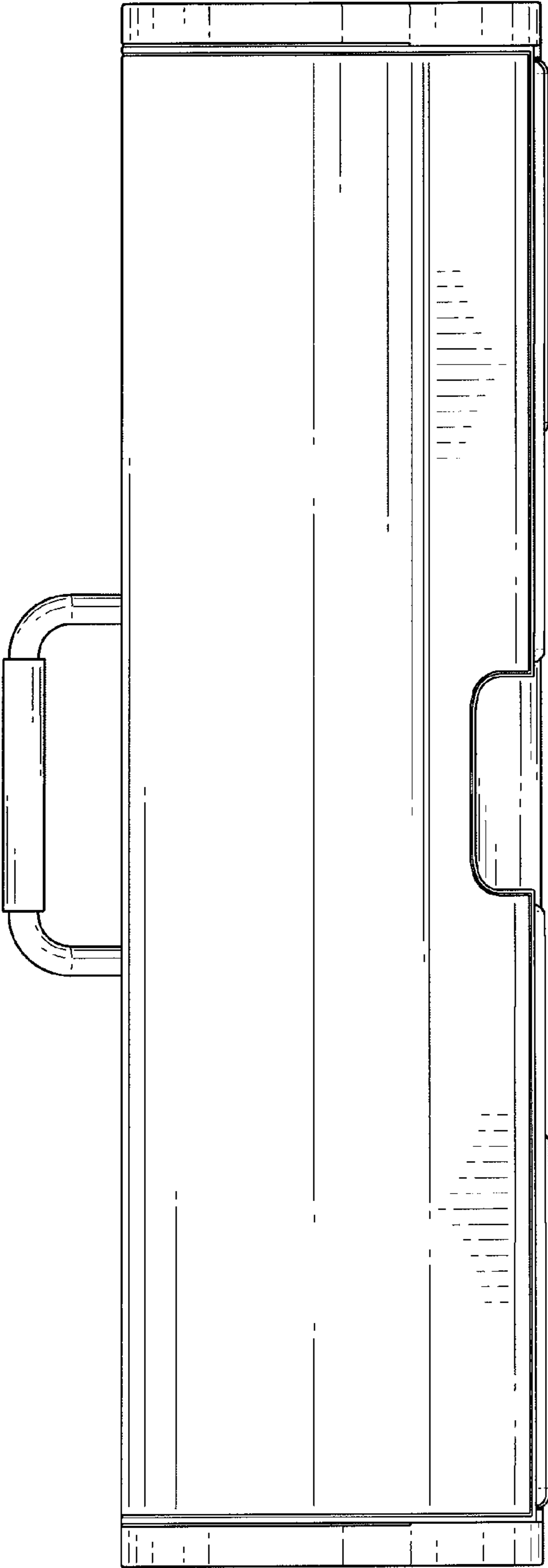


FIG. 10

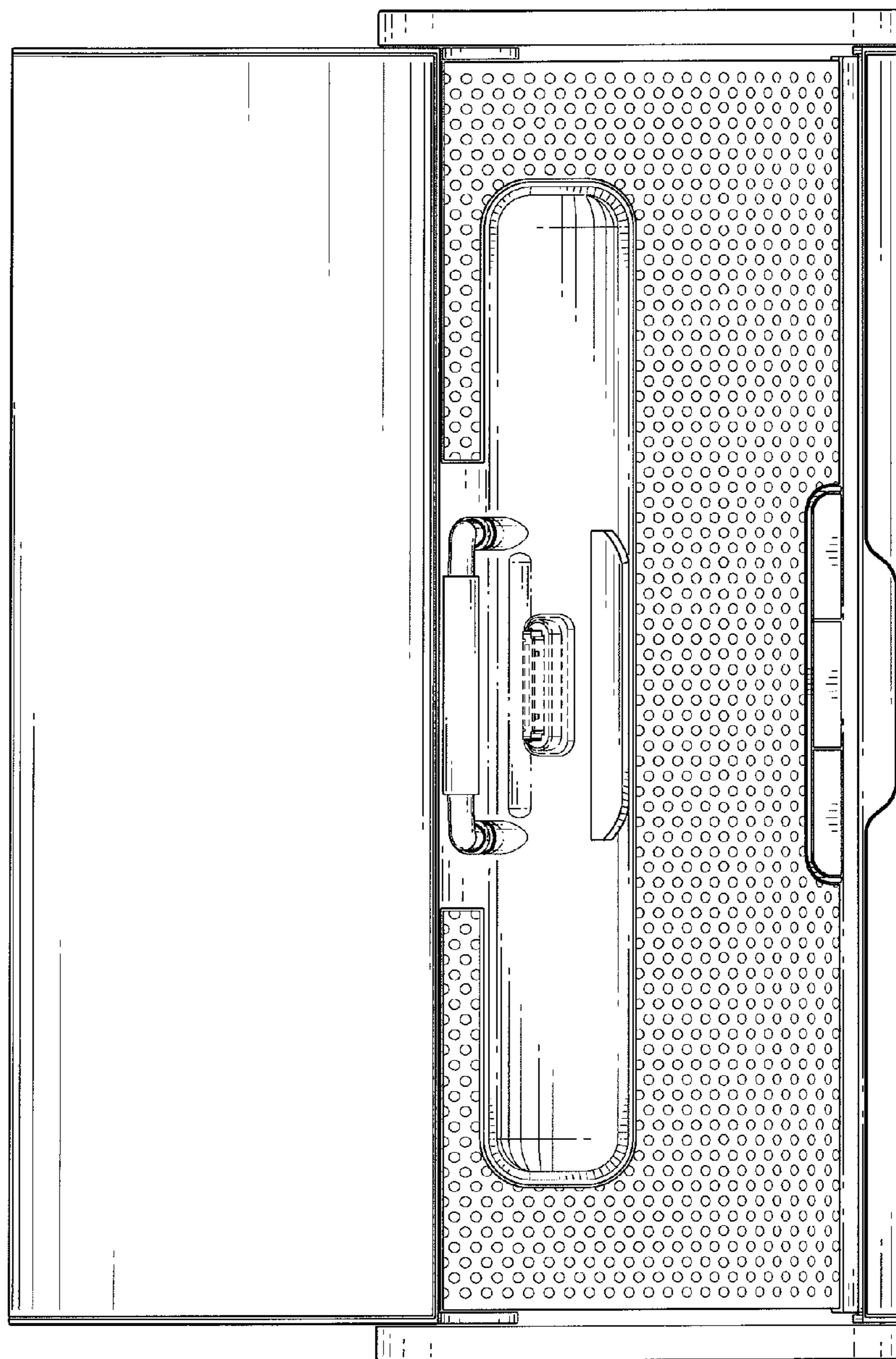


FIG. 11

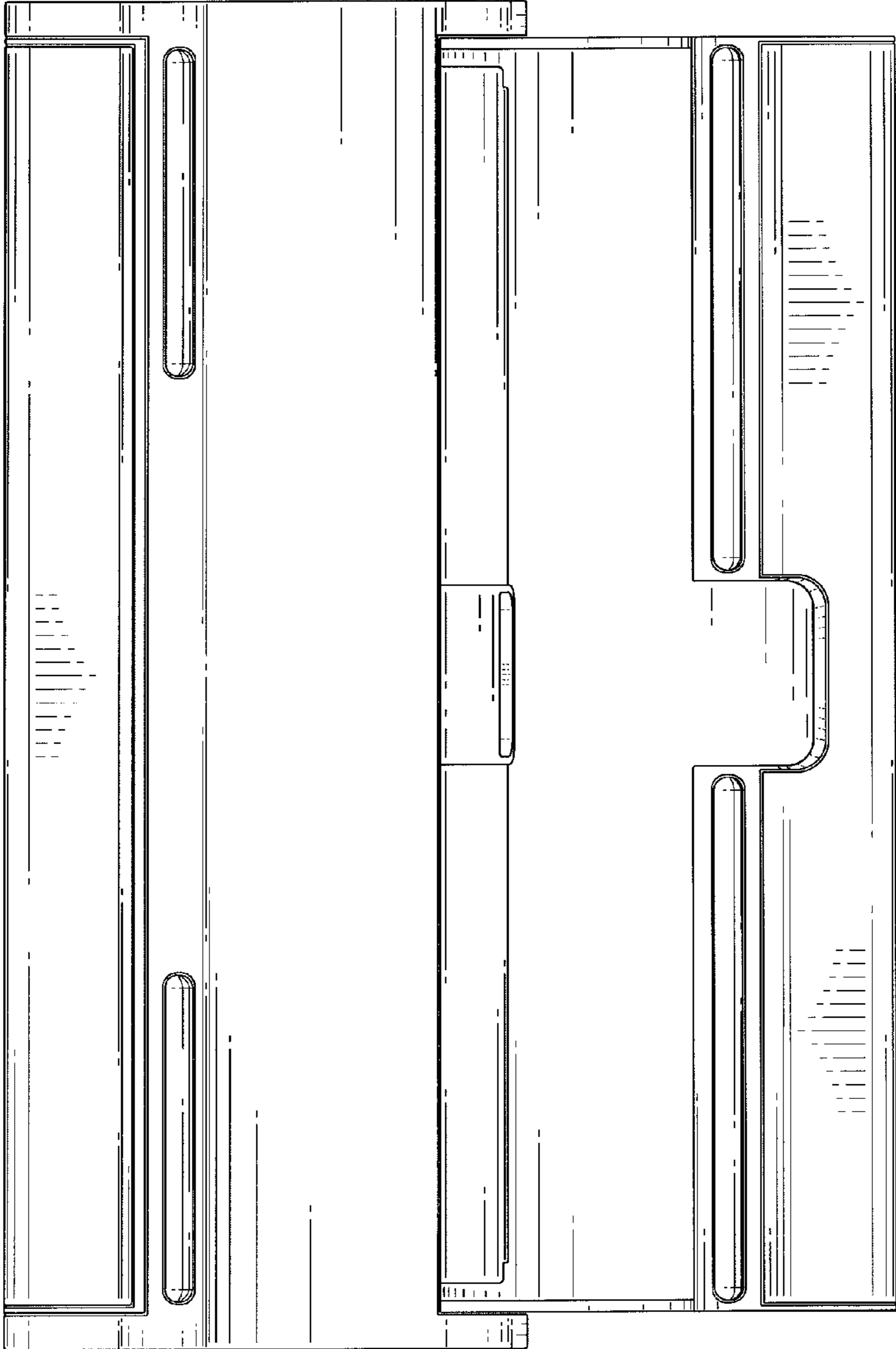


FIG. 12

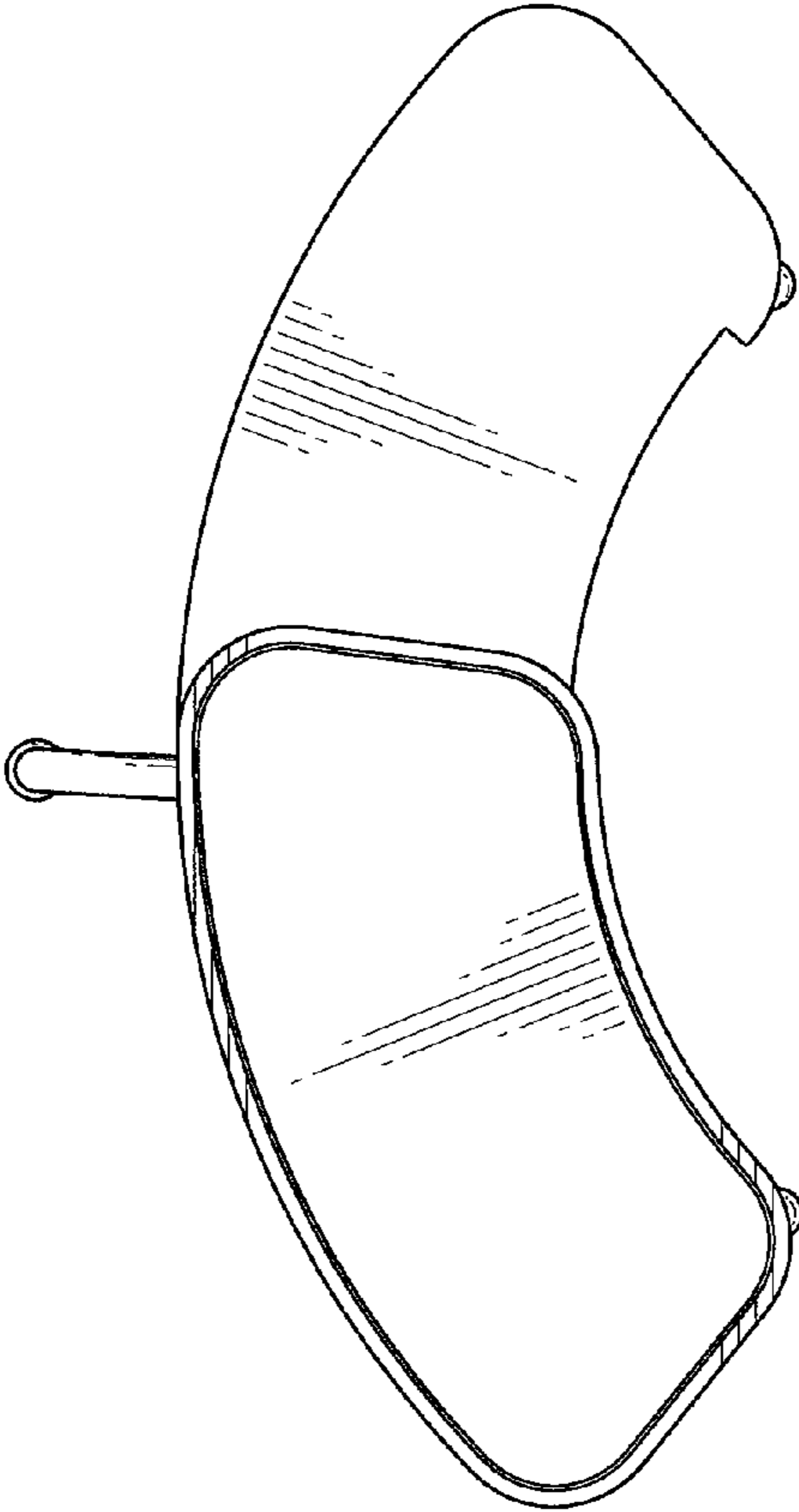


FIG. 13

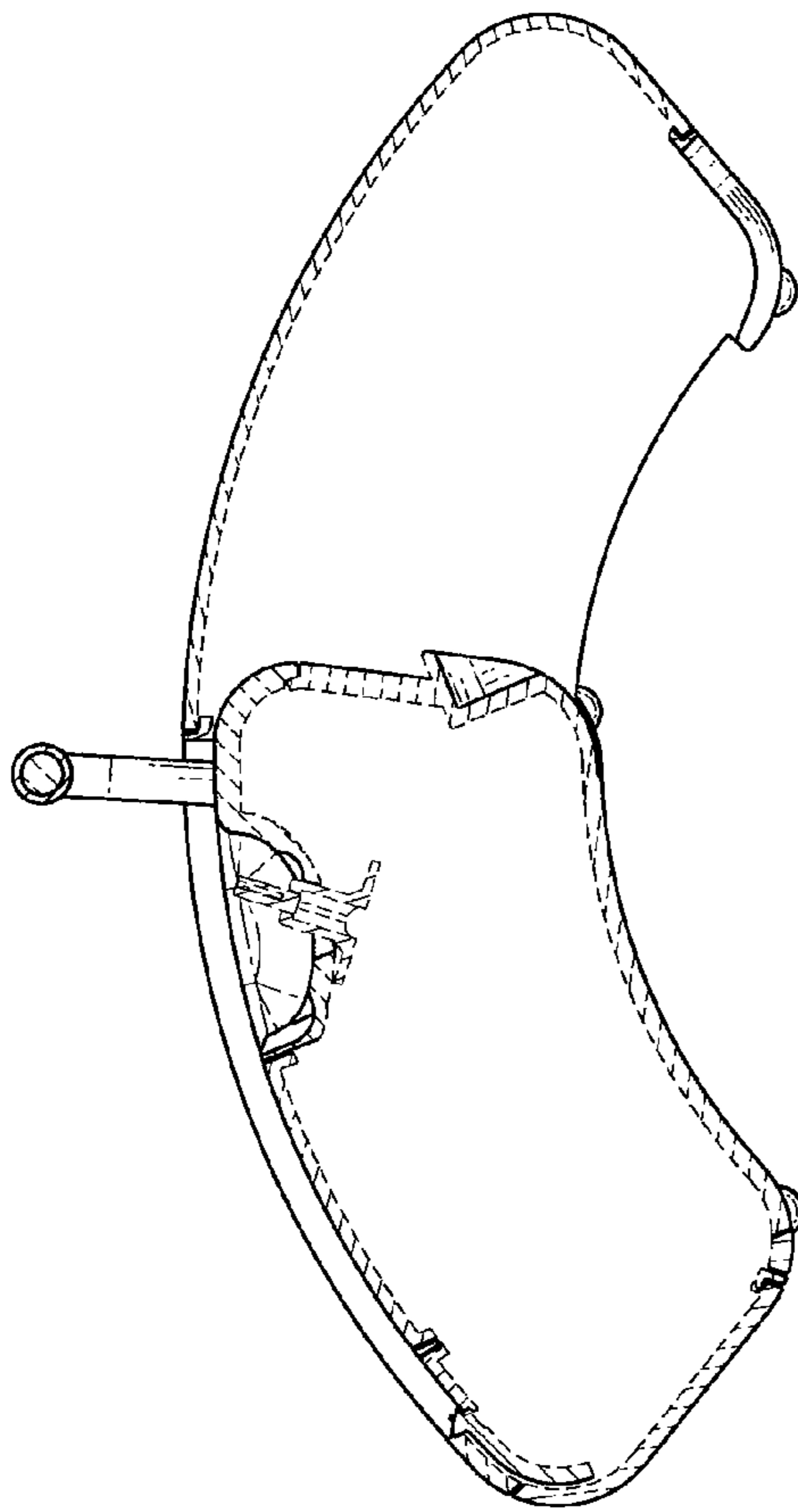


FIG. 14