



US00D689037S

(12) **United States Design Patent**
Sumi et al.

(10) **Patent No.:** **US D689,037 S**
(45) **Date of Patent:** **** Sep. 3, 2013**

(54) **INTERPHONE WITH A TV MONITOR**

(75) Inventors: **Hiroyuki Sumi**, Fukuoka (JP);
Takayuki Ookawa, Fukuoka (JP);
Yasuko Sekine, Fukuoka (JP)

(73) Assignee: **Panasonic Corporation**, Osaka (JP)

(**) Term: **14 Years**

(21) Appl. No.: **29/408,791**

(22) Filed: **Dec. 16, 2011**

(30) **Foreign Application Priority Data**

Jun. 22, 2011 (JP) 2011-014094

(51) **LOC (9) Cl.** **14-03**

(52) **U.S. Cl.**
USPC **D14/159**

(58) **Field of Classification Search**
USPC D14/167, 154, 168, 188, 496, 156,
D14/160, 161, 162, 163, 164, 165, 158, 253,
D14/192, 159, 155, 138 AB, 137, 104.1;
455/351, 350, 353; D10/104, 106, 65, 78;
340/573.4, 573.1

See application file for complete search history.

(56) **References Cited**

U.S. PATENT DOCUMENTS

D423,508 S * 4/2000 Nakajima D14/218
D440,542 S * 4/2001 Hawkins et al. D14/346
D466,882 S * 12/2002 Matsui et al. D14/159
D488,149 S 4/2004 James
D489,052 S * 4/2004 Shiraki et al. D14/203.3
D490,396 S * 5/2004 Yamaguchi et al. D14/159
D494,188 S * 8/2004 Huang D14/203.3
D499,423 S * 12/2004 Bahroocha et al. D14/203.7
D514,121 S 1/2006 Johnson
D516,576 S 3/2006 Ive et al.
D520,989 S 5/2006 Miller
D535,307 S 1/2007 Yagi

D538,820 S 3/2007 Andre et al.
D538,822 S 3/2007 Andre et al.
D541,297 S 4/2007 Andre et al.
D542,808 S 5/2007 Andre et al.
D547,330 S 7/2007 Lee
D548,745 S 8/2007 Andre et al.
D549,685 S 8/2007 Marquez
D561,734 S 2/2008 Yamada et al.
D561,782 S 2/2008 Kim
D570,870 S 6/2008 Ledbetter et al.
D571,749 S * 6/2008 Barnett et al. D14/126
D571,823 S 6/2008 Ledbetter et al.
D572,729 S 7/2008 Ledbetter et al.
D576,618 S * 9/2008 Wong D14/341
D577,705 S * 9/2008 Marquez D14/149
D599,328 S 9/2009 Derocher et al.
D605,165 S * 12/2009 Sheba et al. D14/203.7
D607,872 S * 1/2010 Lee D14/203.7

(Continued)

Primary Examiner — Austin Murphy

(74) *Attorney, Agent, or Firm* — Brinks Hofer Gilson & Lione

(57) **CLAIM**

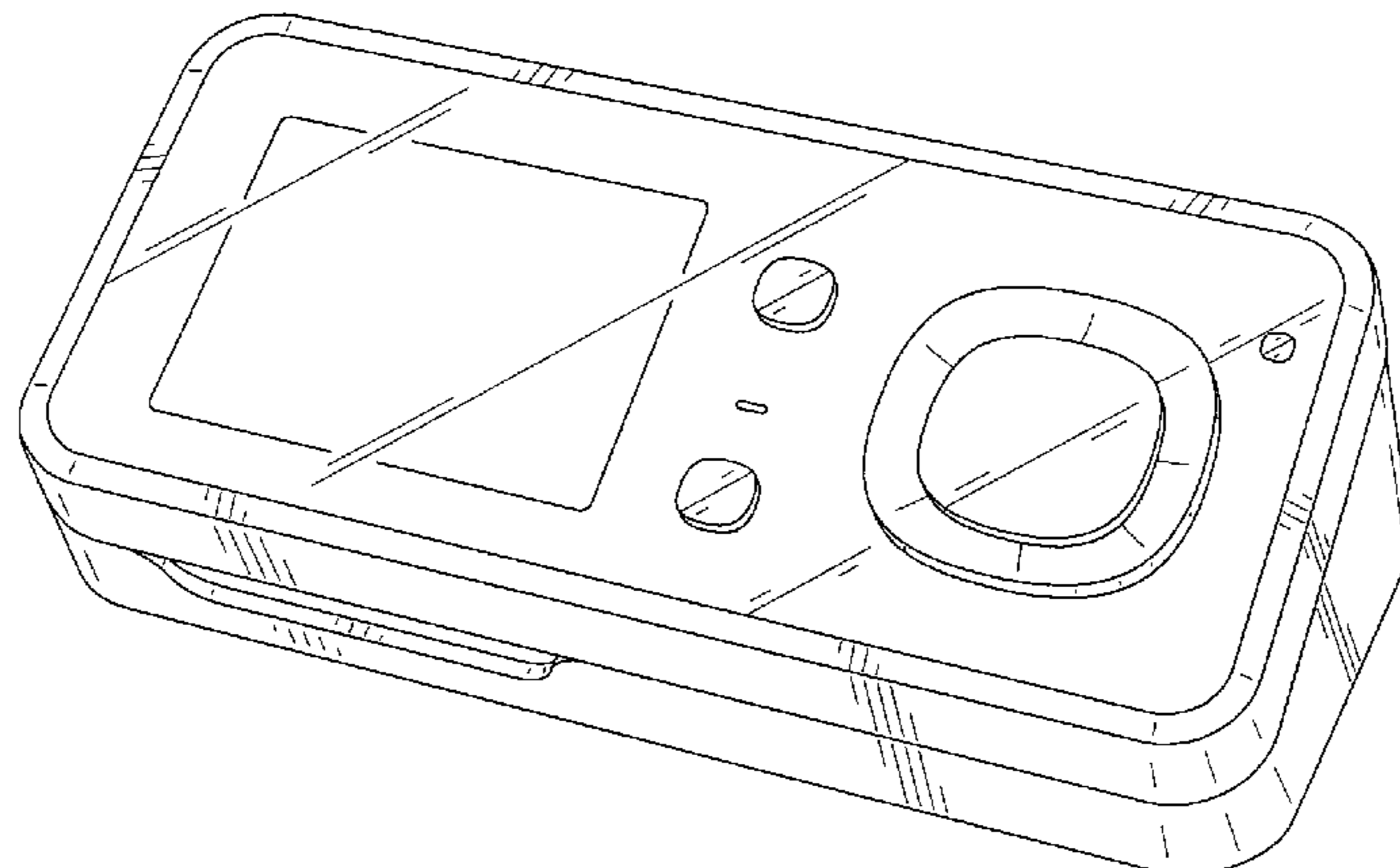
We claim the ornamental design for an interphone with a TV monitor, as shown and described.

DESCRIPTION

FIG. 1 is a top perspective view of an interphone with a TV monitor of the present invention;
FIG. 2 is a front view thereof;
FIG. 3 is a rear view thereof;
FIG. 4 is a first side view thereof;
FIG. 5 is a second side view thereof;
FIG. 6 is a top view thereof; and,
FIG. 7 is a bottom view thereof.

The article is a unit of an intercom system which is used in a house. The unit has a monitor which shows an image from a camera of a door unit. The unit wirelessly communicates with the door unit.

1 Claim, 7 Drawing Sheets



(56)

References Cited

U.S. PATENT DOCUMENTS

D607,874 S 1/2010 Sheba et al.
D611,032 S 3/2010 Kim
D625,286 S 10/2010 Hibino et al.
D626,936 S 11/2010 Yeo et al.
D629,387 S 12/2010 Lee
D633,476 S 3/2011 Andre et al.

D634,435 S * 3/2011 Chua et al. D24/186
D635,556 S 4/2011 Suzuki
D640,651 S 6/2011 Oba
D640,661 S 6/2011 Hu et al.
D643,401 S 8/2011 Chen et al.
D646,667 S * 10/2011 Donegain D14/217
D656,122 S * 3/2012 Niizawa et al. D14/203.7
D666,988 S * 9/2012 Meurer D14/159

* cited by examiner

FIG. 1

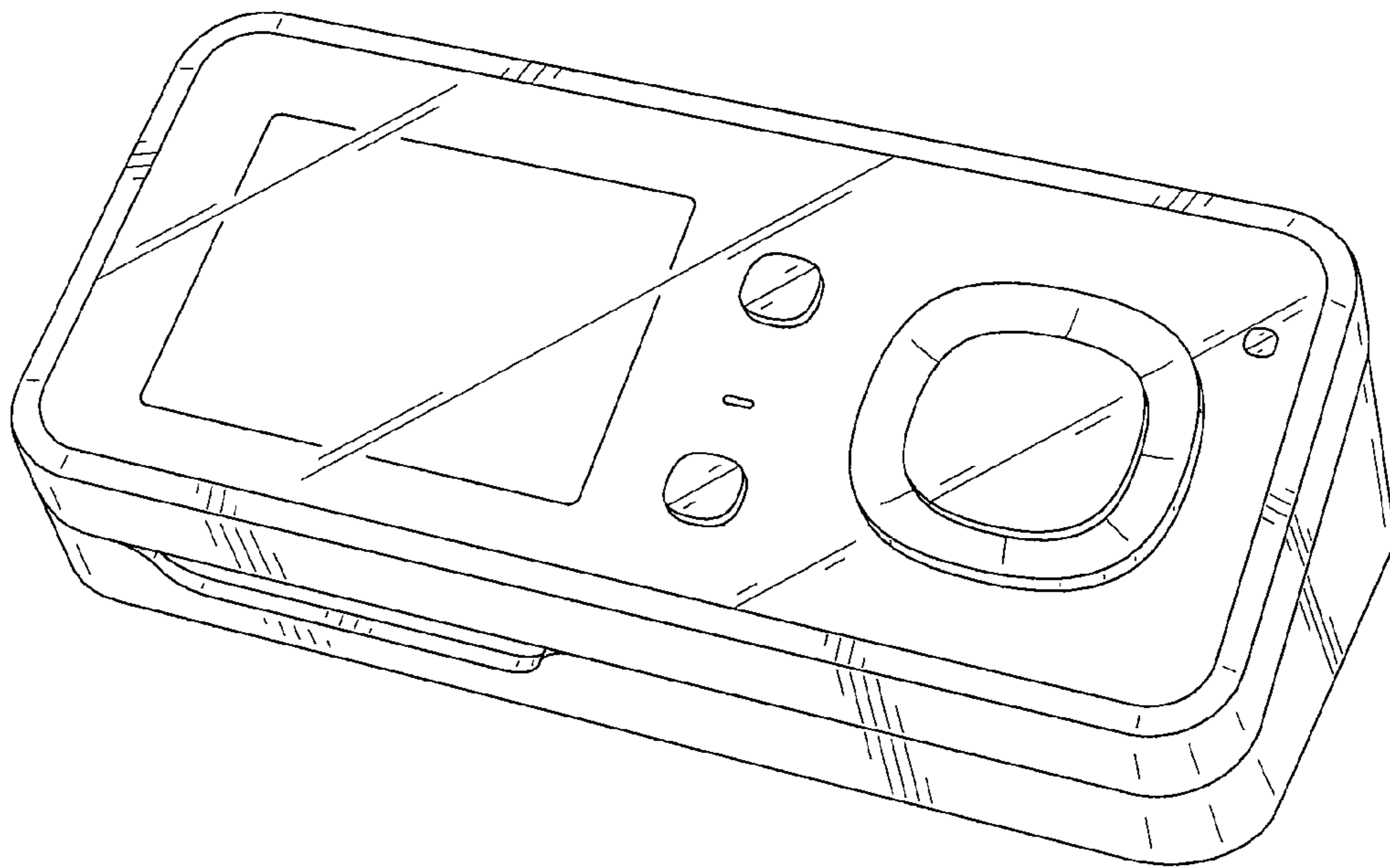


FIG. 2

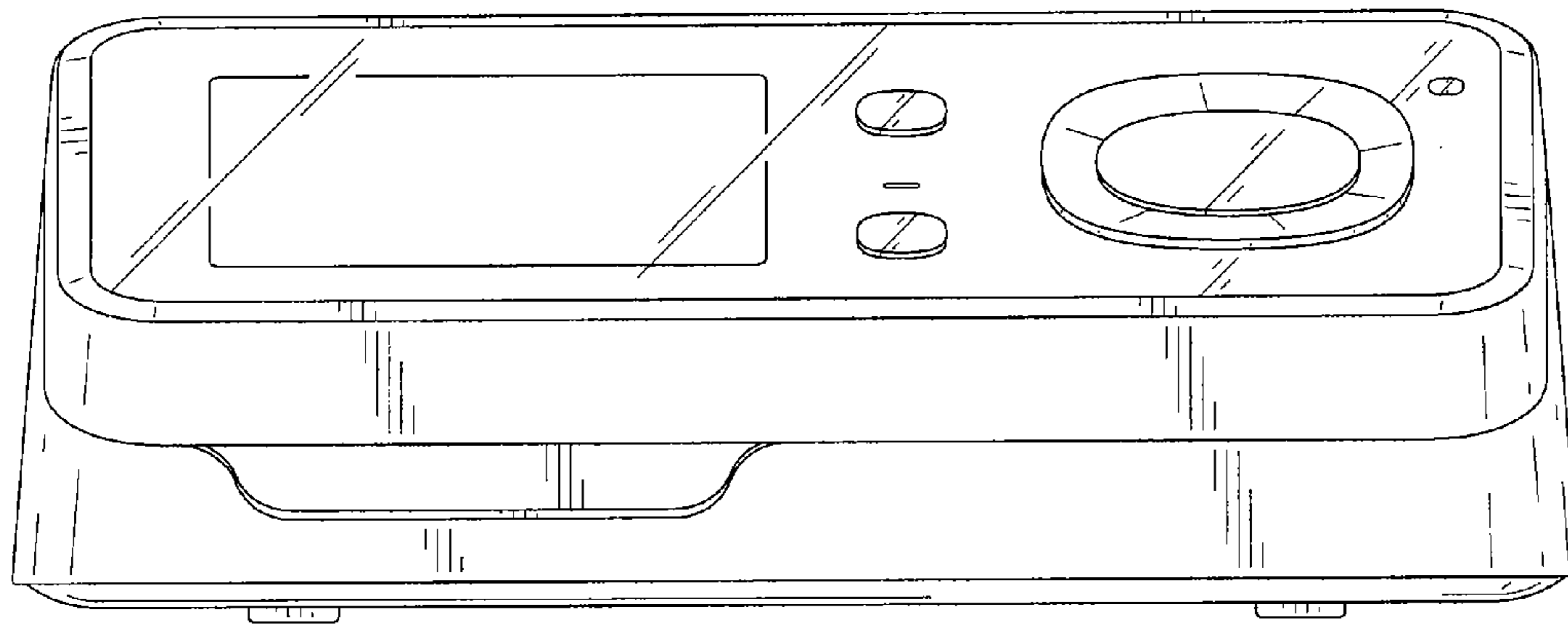


FIG. 3

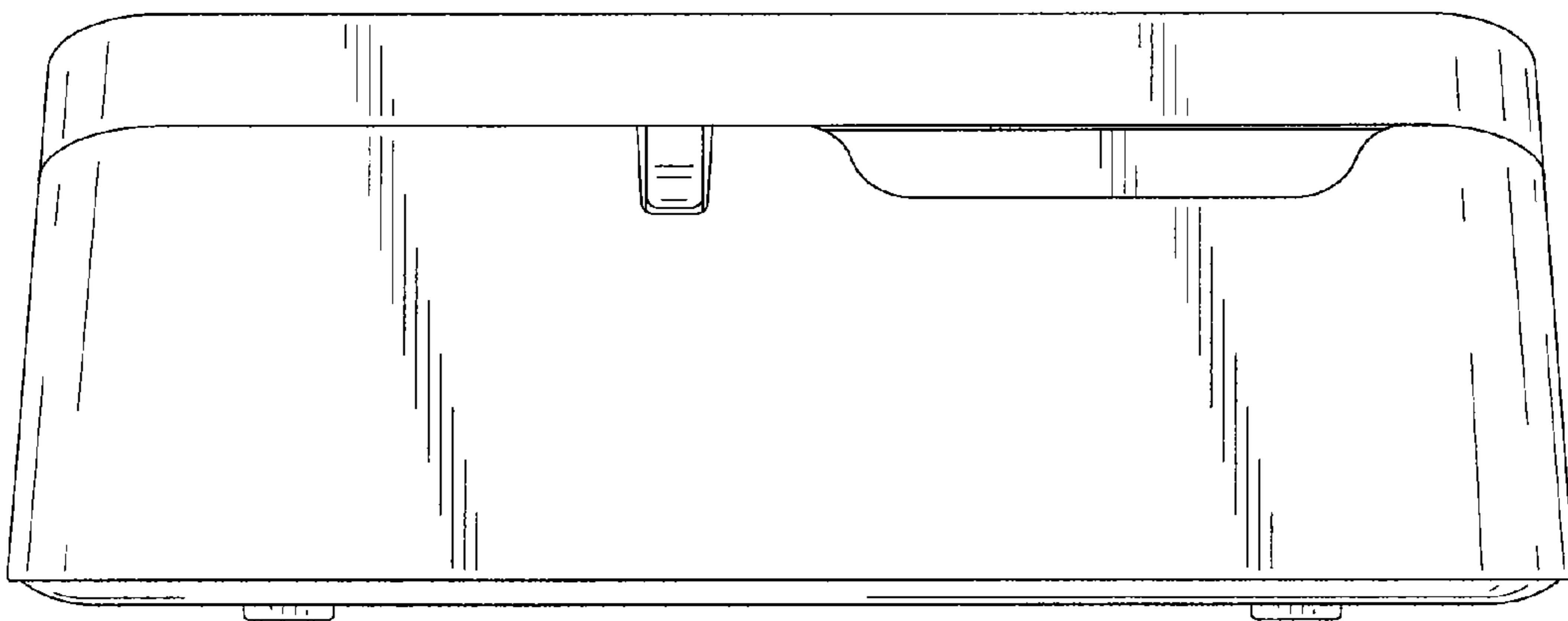


FIG. 4

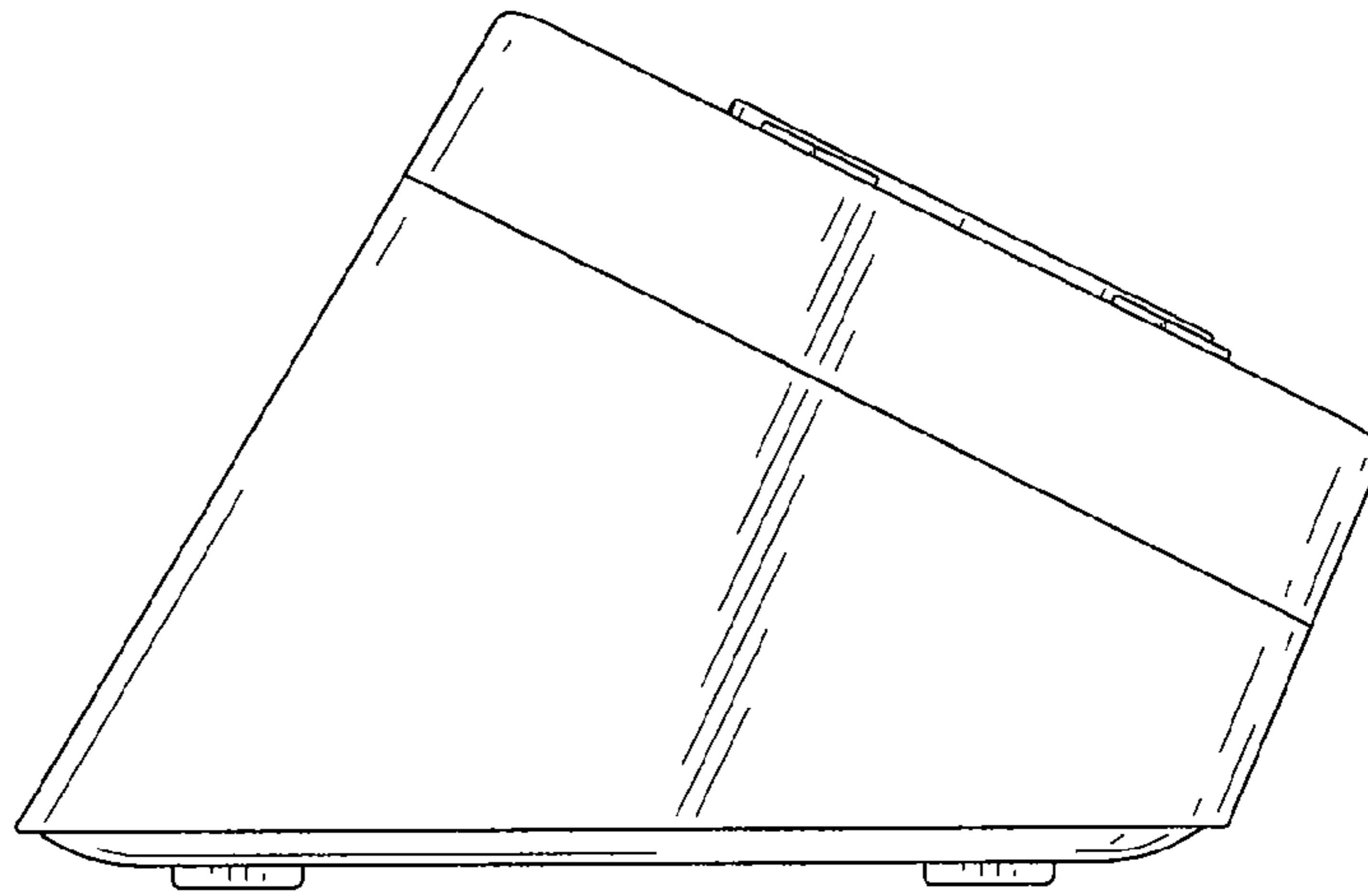


FIG. 5

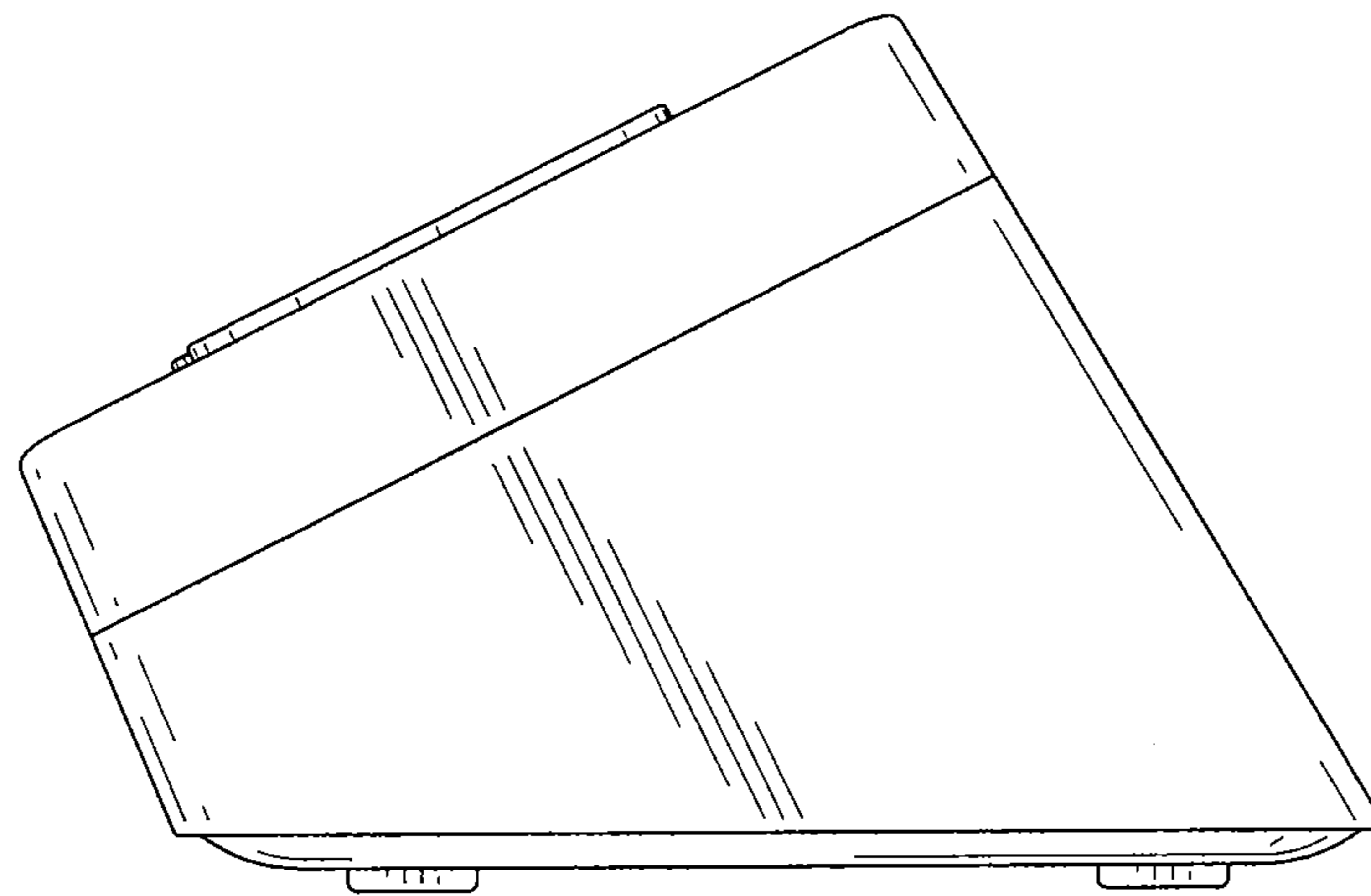


FIG. 6

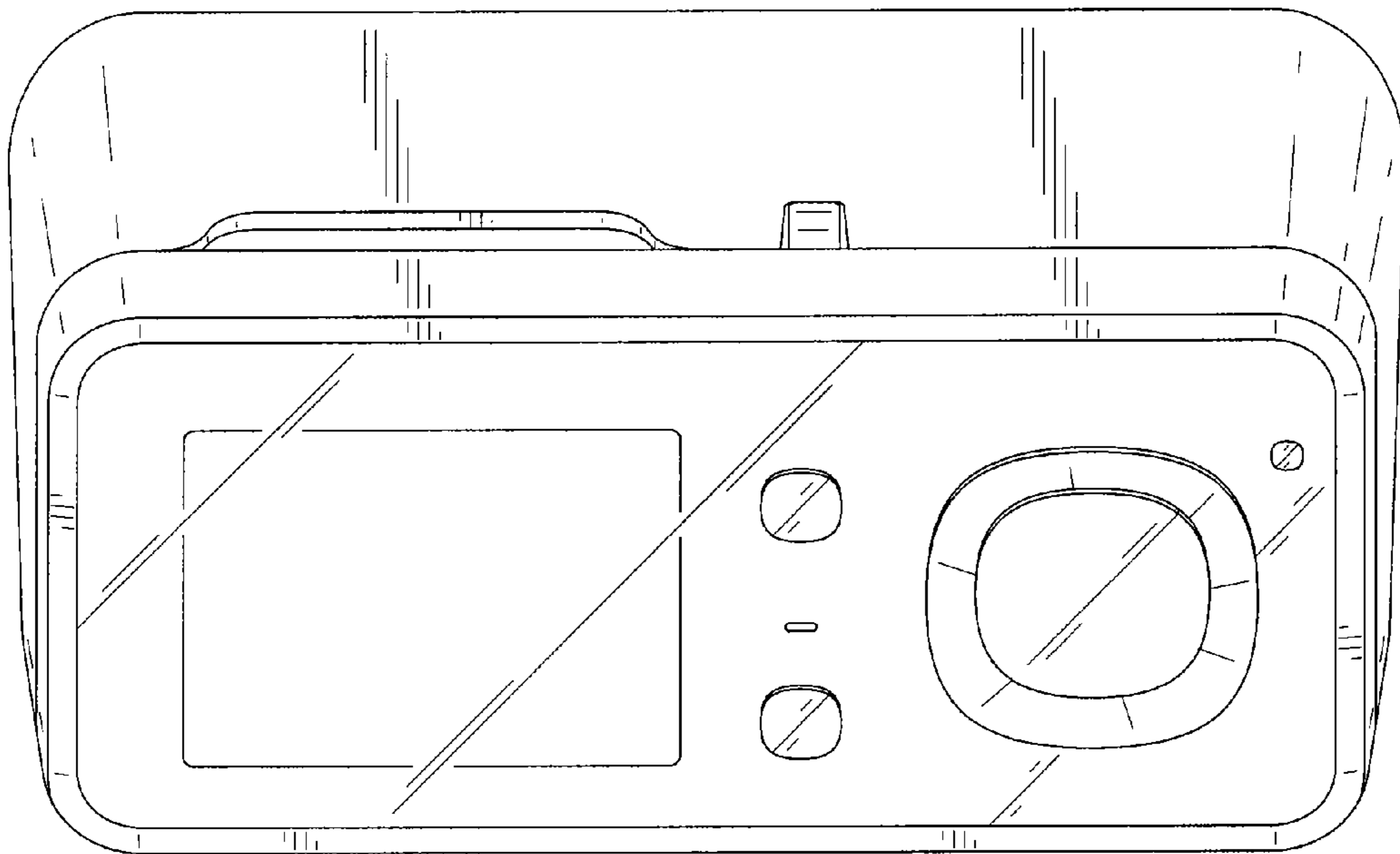


FIG. 7

