



US00D689031S

(12) **United States Design Patent**
Donofrio et al.

(10) **Patent No.:** **US D689,031 S**
(45) **Date of Patent:** **** Sep. 3, 2013**

(54) **LED CHIP**

(71) Applicant: **Cree, Inc.**, Durham, NC (US)

(72) Inventors: **Matthew Donofrio**, Raleigh, NC (US);
James Ibbetson, Santa Barbara, CA (US)

(73) Assignee: **Cree, Inc.**, Durham, NC (US)

(**) Term: **14 Years**

(21) Appl. No.: **29/436,228**

(22) Filed: **Nov. 2, 2012**

Related U.S. Application Data

(62) Division of application No. 29/396,911, filed on Jul. 8, 2011, now Pat. No. Des. 673,126.

(51) **LOC (9) Cl.** **13-03**

(52) **U.S. Cl.**
USPC **D13/180**

(58) **Field of Classification Search**
USPC D13/180; D26/1; 257/79, 80, 81,
257/88, 89, 95, 98, 99, 100, E33.058; 313/483,
313/498, 500; 362/555, 800
See application file for complete search history.

(56) **References Cited**

U.S. PATENT DOCUMENTS

D598,871 S	8/2009	Eberle et al.
7,772,604 B2	8/2010	Duong et al.
7,855,395 B2	12/2010	Lee et al.
D631,020 S	1/2011	Chuang et al.
7,906,788 B2	3/2011	Nagai

D637,565 S	5/2011	Wu et al.
D640,643 S	6/2011	Hsieh
D642,143 S	7/2011	Kuwaharada et al.
D650,343 S	12/2011	Andrews et al.
D651,989 S	1/2012	Lin
8,119,534 B2	2/2012	Tanaka et al.
8,210,715 B2 *	7/2012	Mostoller et al. 362/249.02
D673,126 S *	12/2012	Donofrio et al. D13/180
2008/0157114 A1 *	7/2008	Basin et al. 257/98
2009/0039381 A1	2/2009	Kim et al.
2009/0108281 A1	4/2009	Keller et al.
2011/0062482 A1	3/2011	Solomensky et al.
2011/0248289 A1	10/2011	Hsieh et al.
2011/0260192 A1	10/2011	Kwak et al.
2011/0278827 A1	11/2011	Kim et al.
2011/0291154 A1	12/2011	Noichi et al.

* cited by examiner

Primary Examiner — Selina Sikder

(74) *Attorney, Agent, or Firm* — Myers Bigel Sibley & Sajovec, PA

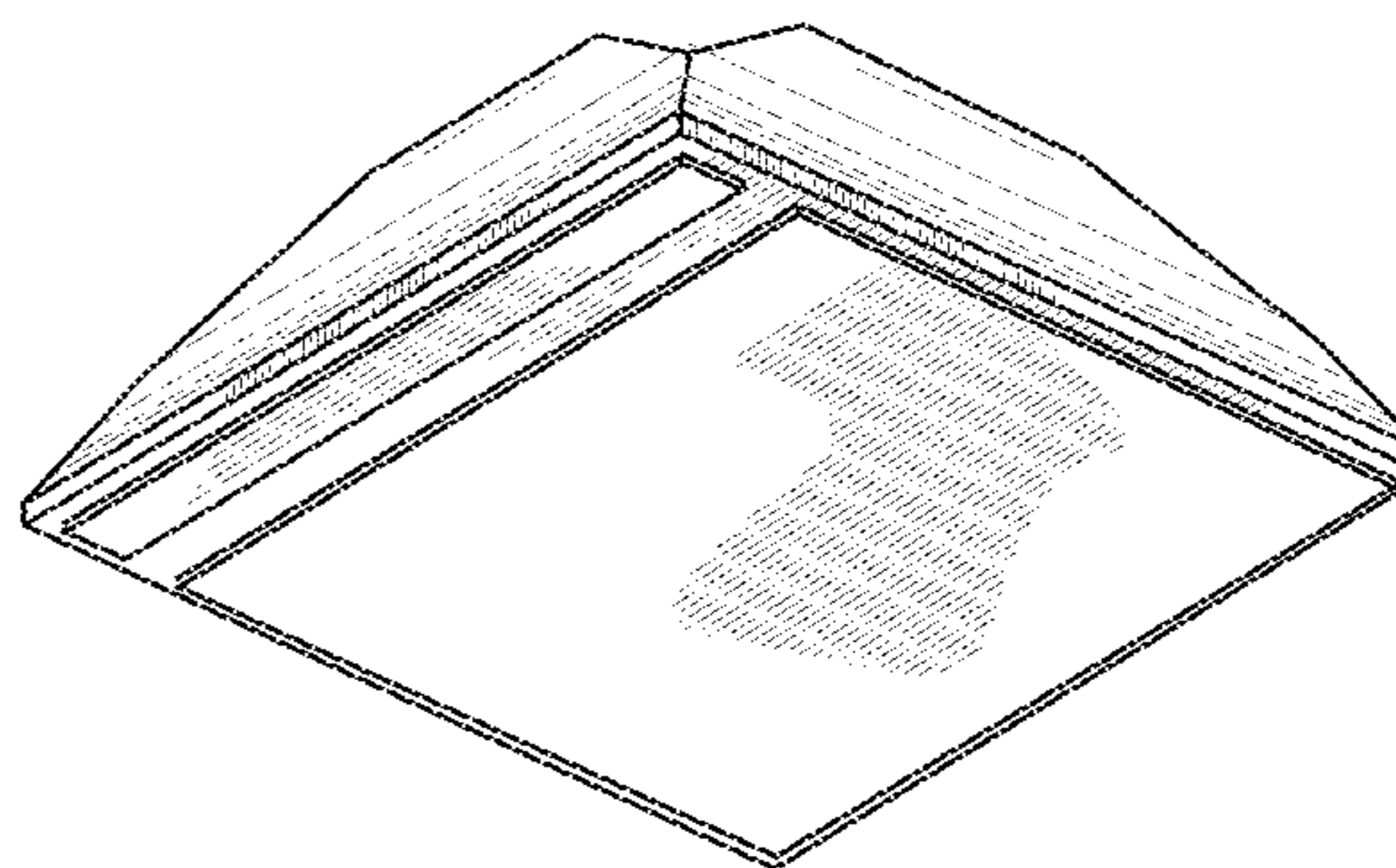
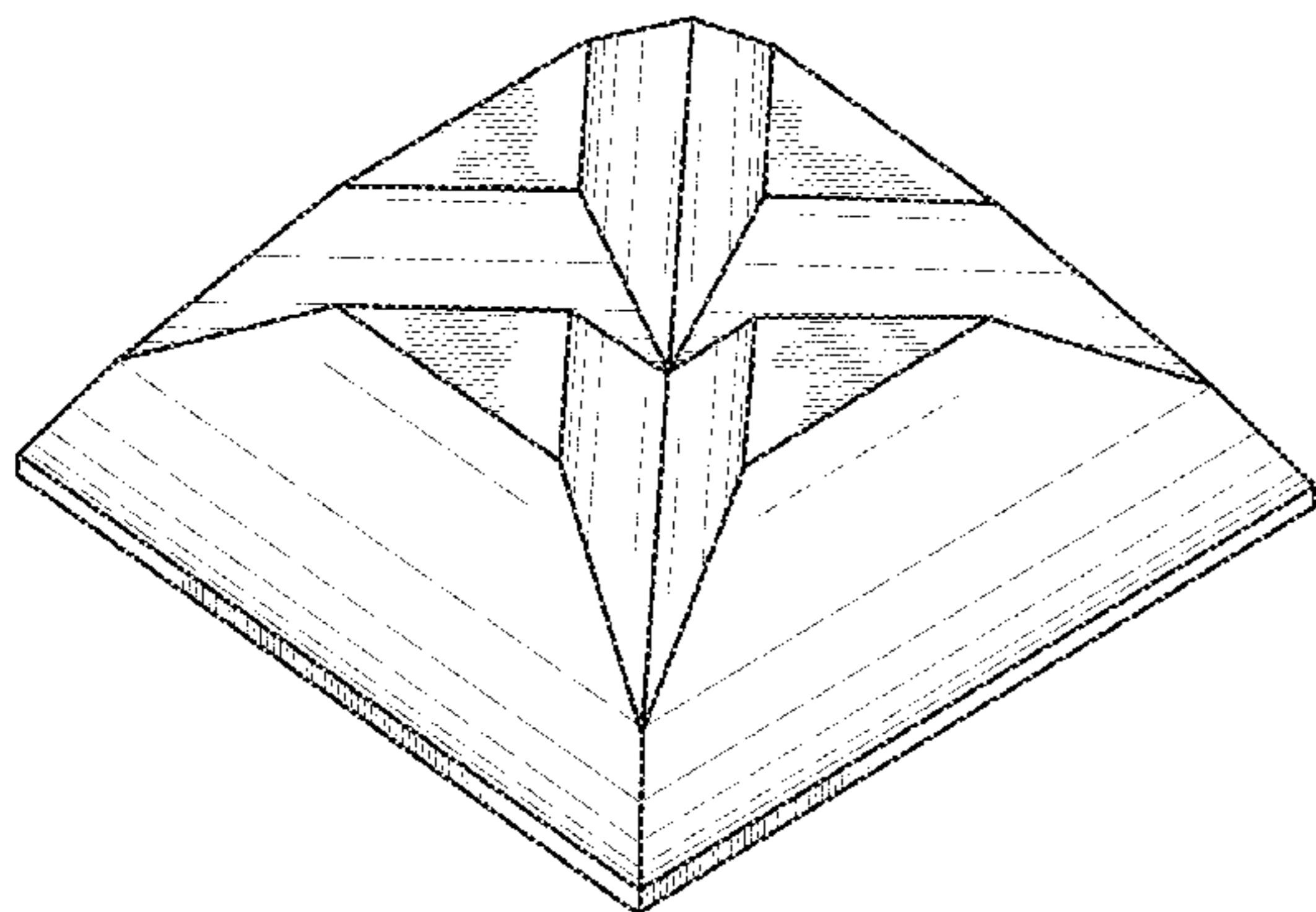
(57) **CLAIM**

The ornamental design for LED chip, as shown and described.

DESCRIPTION

FIG. 1 is a top perspective view of the LED chip showing our design;
FIG. 2 is a bottom perspective view thereof;
FIG. 3 is a top view thereof;
FIG. 4 is a front view thereof;
FIG. 5 is a bottom view thereof;
FIG. 6 is a back view thereof;
FIG. 7 is a side view thereof; and,
FIG. 8 is an opposing side view thereof.

1 Claim, 3 Drawing Sheets



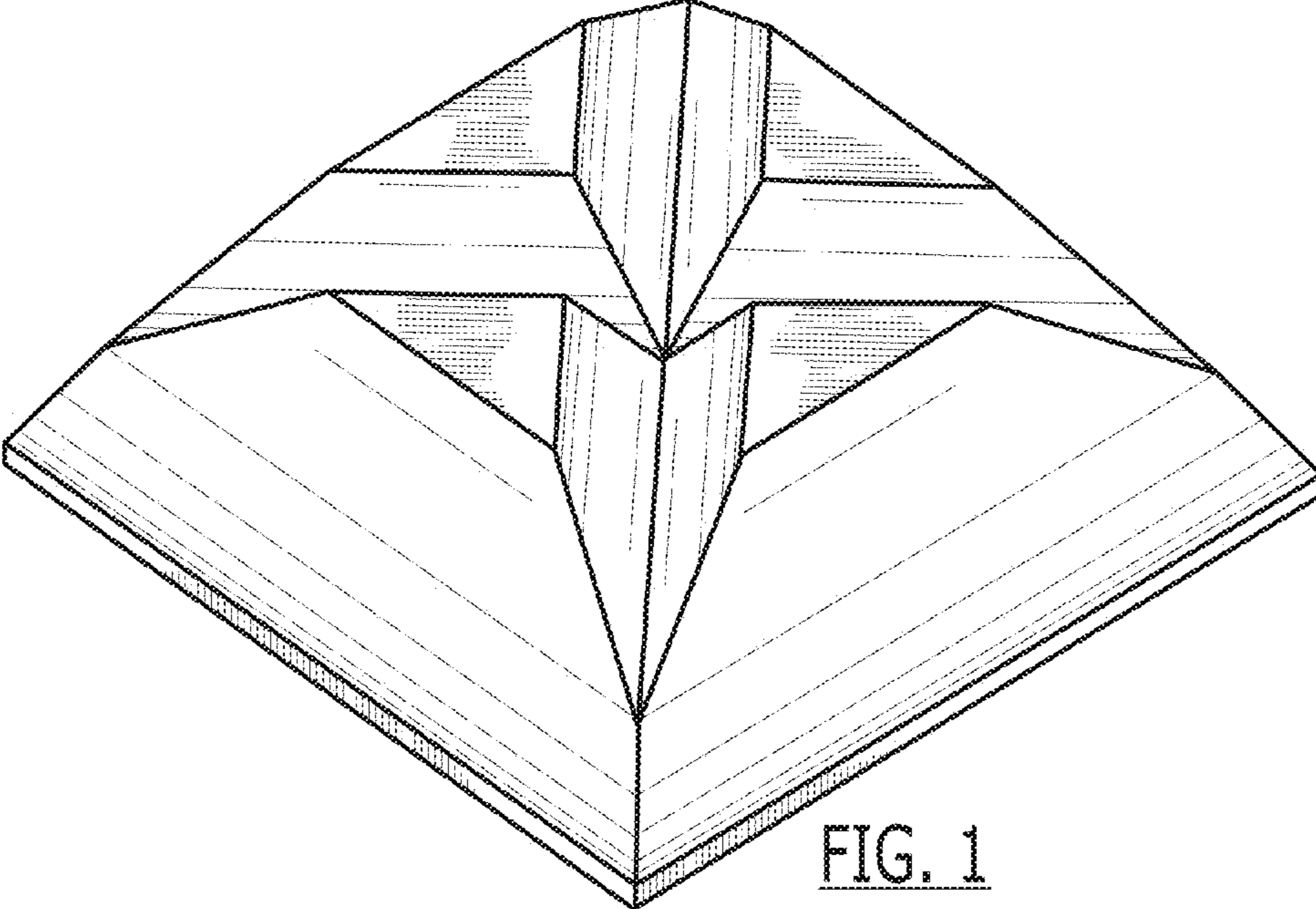


FIG. 1

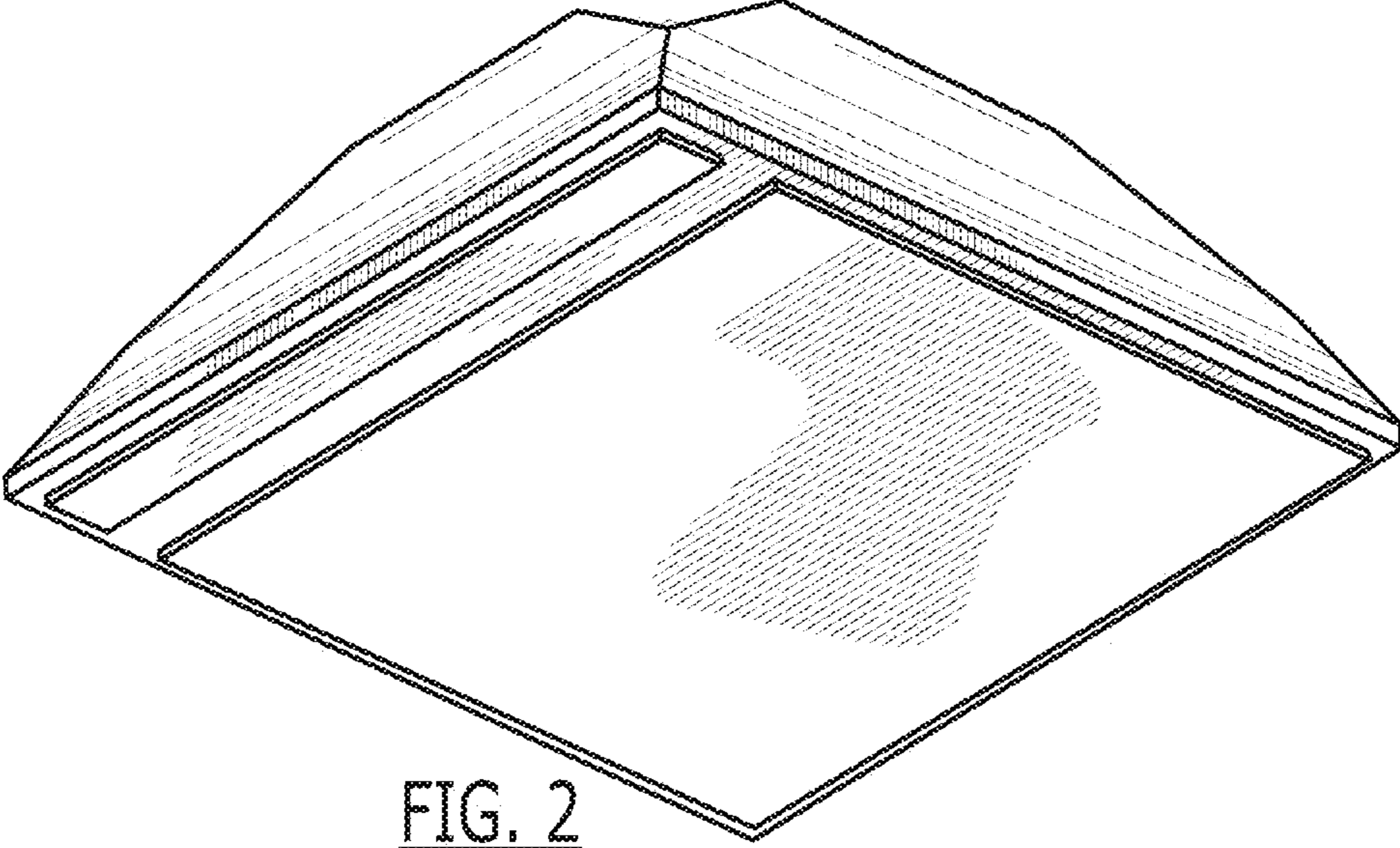


FIG. 2

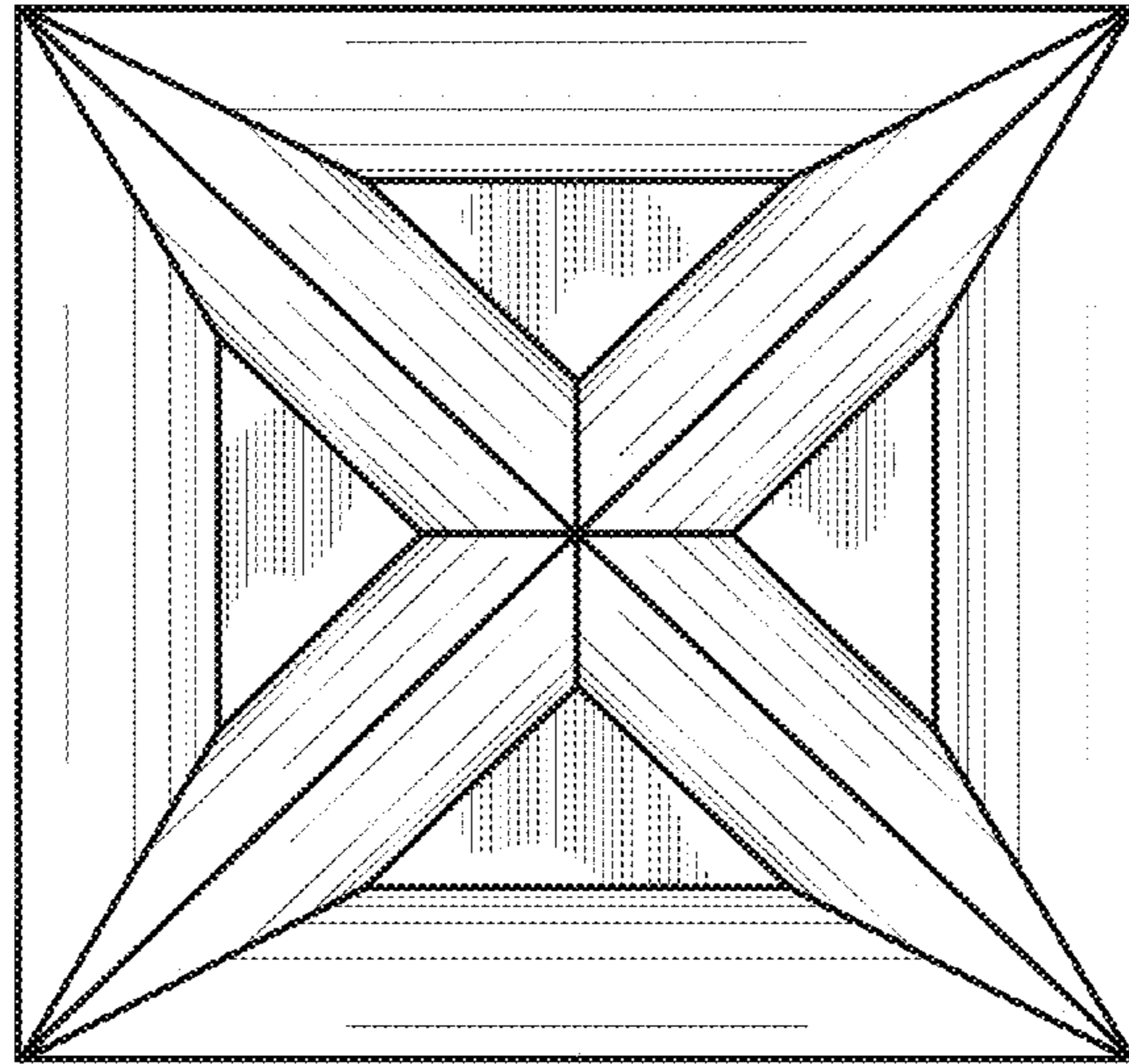


FIG. 3

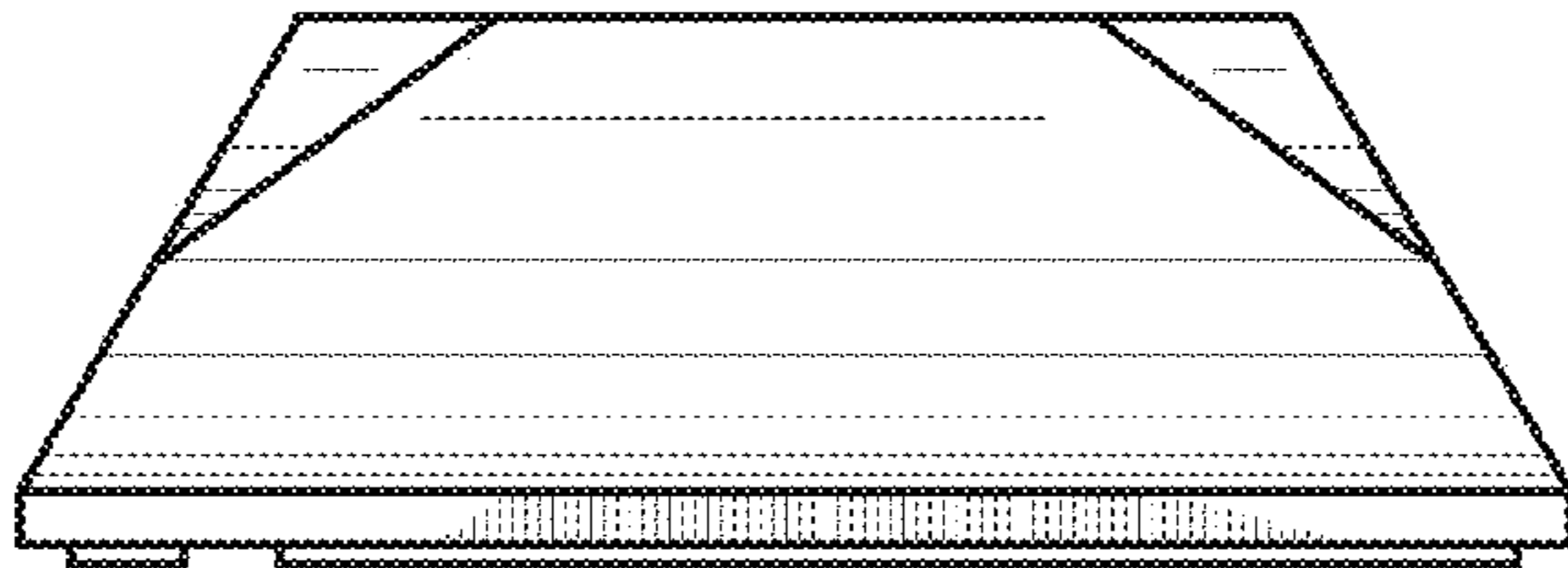


FIG. 4

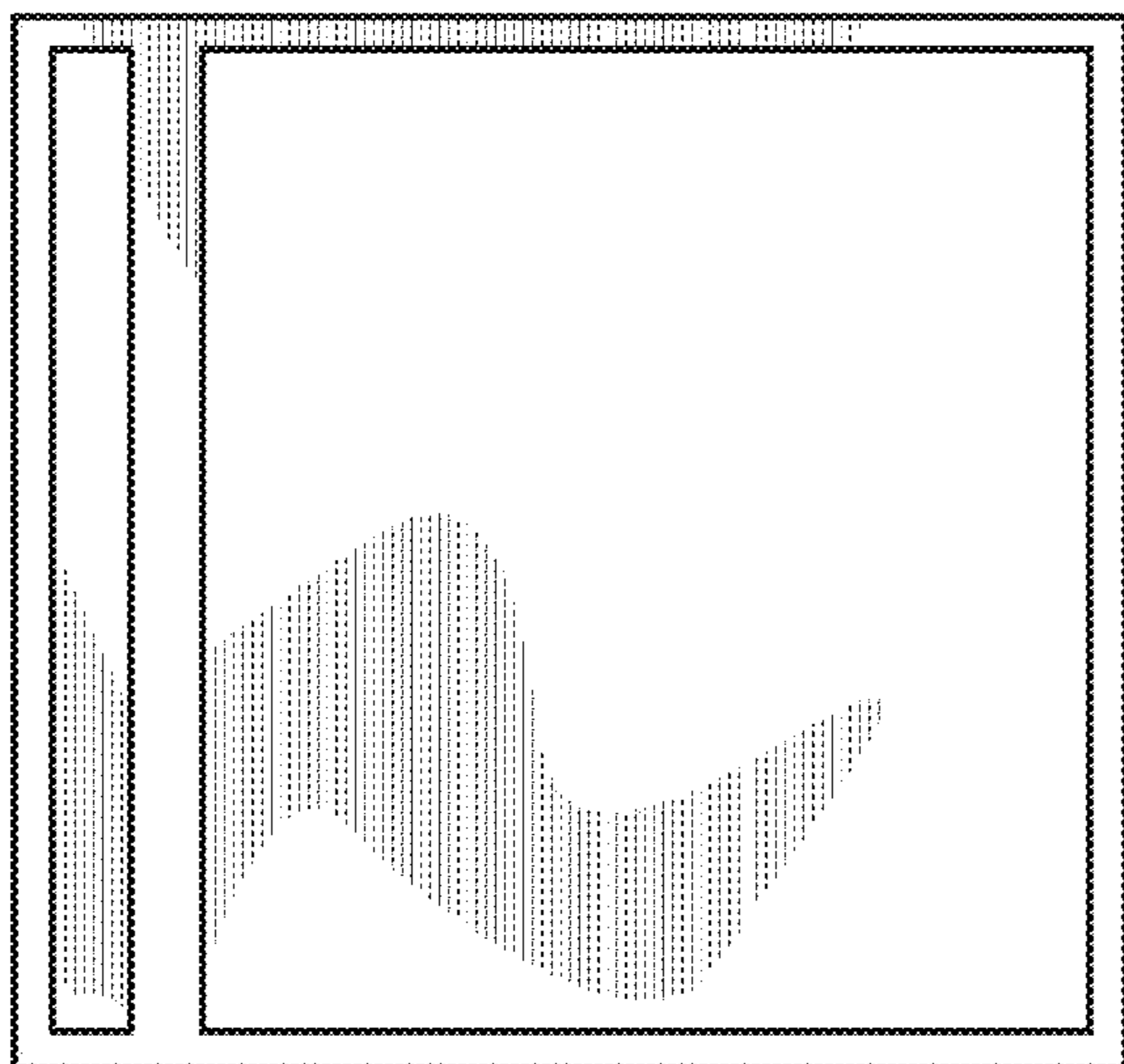


FIG. 5

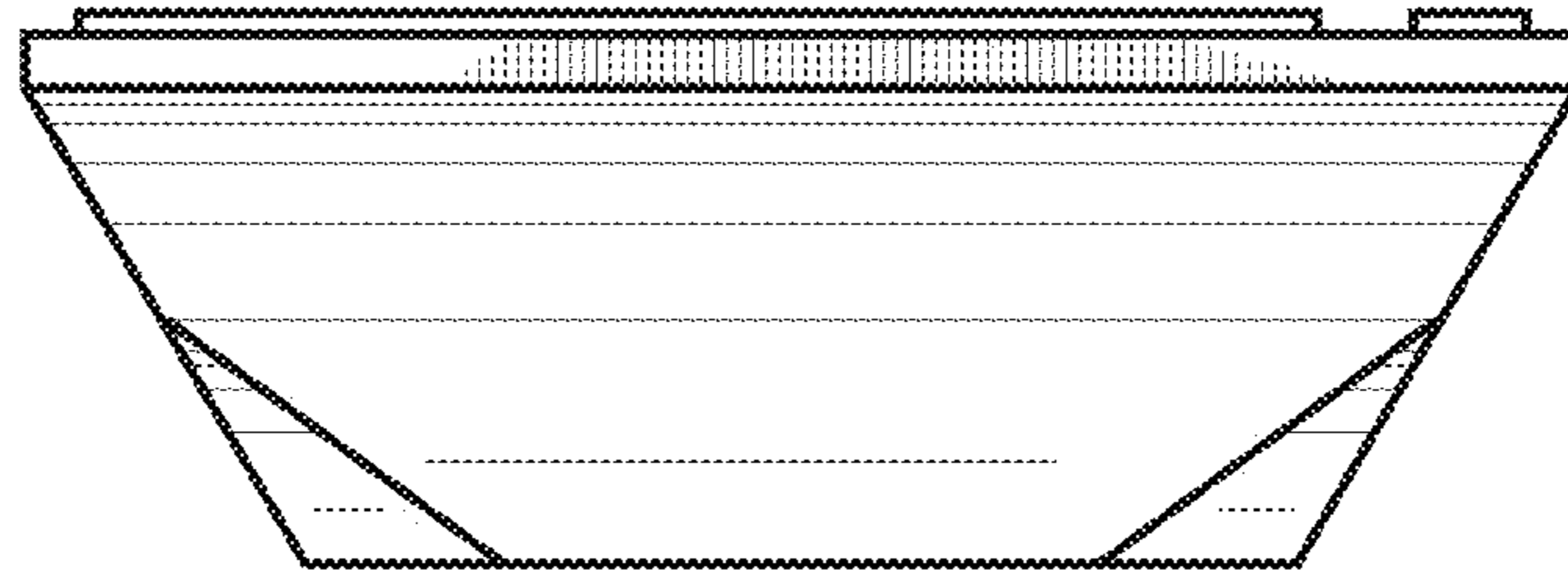


FIG. 6

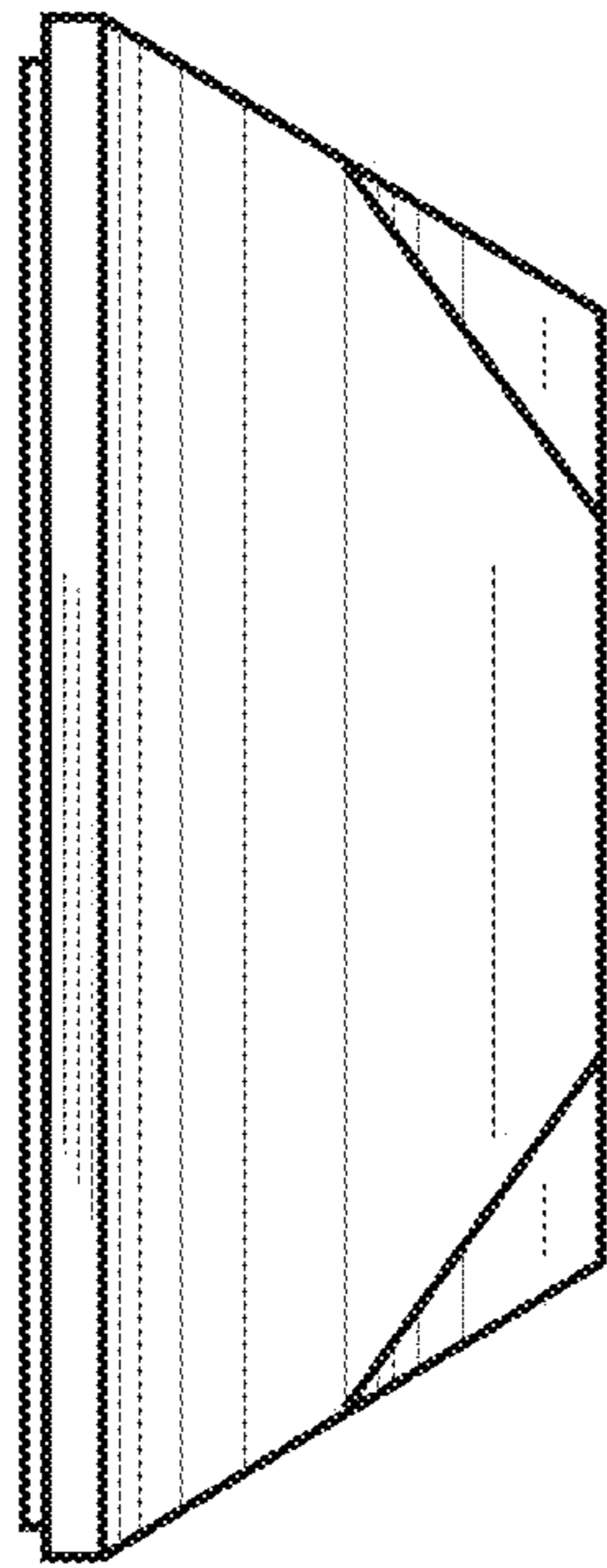


FIG. 7

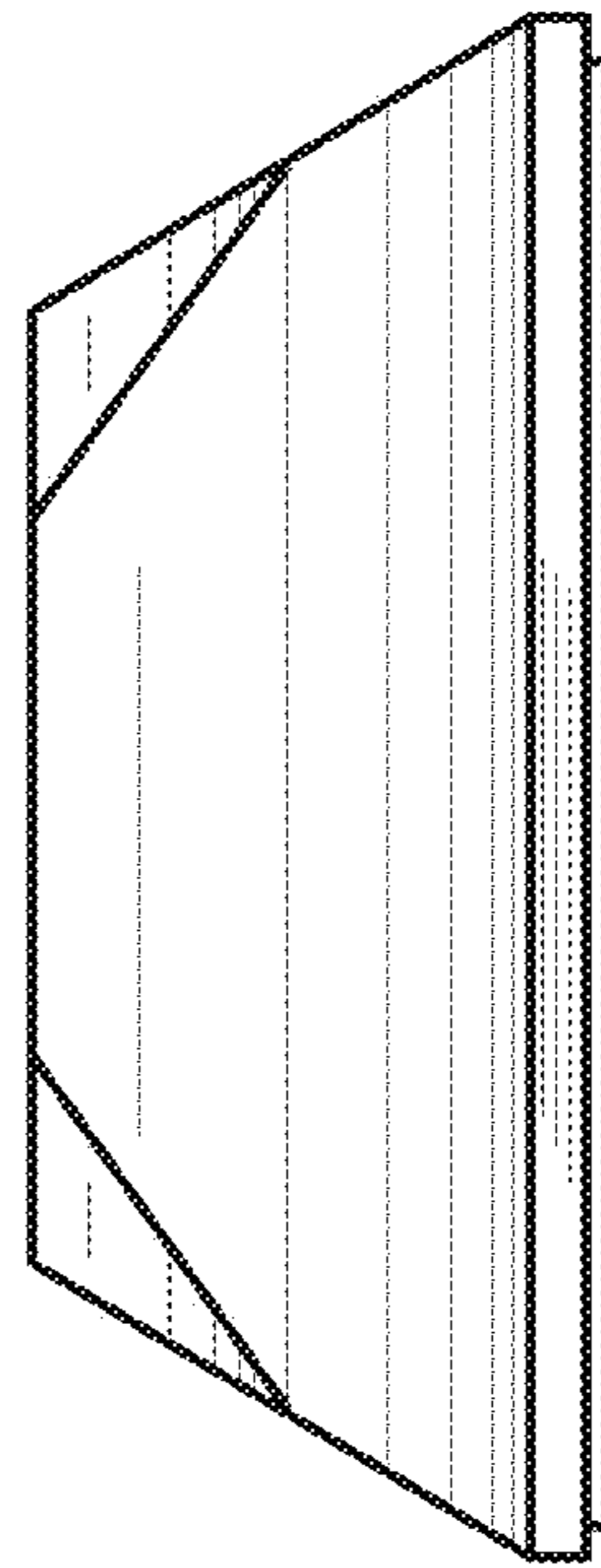


FIG. 8