

US00D689028S

(12) **United States Design Patent**
Ewringmann

(10) **Patent No.:** **US D689,028 S**

(45) **Date of Patent:** **** Sep. 3, 2013**

(54) **CONTROL PANEL FOR A PAVING MACHINE**

(71) Applicant: **Joseph Vogele AG**, Ludwigshafen/Rhein (DE)

(72) Inventor: **Ulrich Ewringmann**, Taufkirchen-Potzham (DE)

(73) Assignee: **Joseph Vogele AG**, Ludwigshafen/Rhein (DE)

(**) Term: **14 Years**

(21) Appl. No.: **29/433,439**

(22) Filed: **Sep. 28, 2012**

(30) **Foreign Application Priority Data**

Mar. 29, 2012 (EP) 01322689

(51) **LOC (9) Cl.** **13-03**

(52) **U.S. Cl.**
USPC **D13/168**

(58) **Field of Classification Search**
USPC D15/28; D13/162, 164, 168; D14/217, D14/396, 400; D34/34, 35; 318/700, 701; 180/315, 316, 325, 19.1, 19.3, 90; 361/679, 361/680, 690; 700/90, 160, 17, 83; 296/70; 280/43.12, 752

See application file for complete search history.

(56) **References Cited**

U.S. PATENT DOCUMENTS

D255,563 S * 6/1980 Brooksby et al. D13/168
D277,795 S * 2/1985 Griffiths D34/35
5,250,930 A * 10/1993 Yoshida et al. 345/168
D398,289 S * 9/1998 Burke D13/162
D428,599 S * 7/2000 Copeland D13/162

D432,963 S * 10/2000 Meinhardt D12/192
D444,750 S * 7/2001 Meinhardt D12/192
D513,737 S * 1/2006 Riley D13/164
D525,212 S * 7/2006 Kim D13/162
D525,409 S * 7/2006 Cantrill et al. D34/35
D553,580 S * 10/2007 Hobson D13/164
D576,563 S * 9/2008 Kaluza D13/162
D590,122 S * 4/2009 Shaw et al. D34/35
D641,712 S * 7/2011 Berning et al. D13/164
D642,133 S * 7/2011 Berning et al. D13/164

* cited by examiner

Primary Examiner — Mark Goodwin

(74) *Attorney, Agent, or Firm* — Fish & Richardson P.C.

(57) **CLAIM**

The ornamental design for a control panel for a paving machine, substantially as shown and described.

DESCRIPTION

FIG. 1 shows a perspective view of the control panel for a paving machine of the present invention; FIG. 2 shows a further perspective view of the design of a control panel for a paving machine of the present invention; FIG. 3 shows a front view of the control panel for a paving machine of the present invention; FIG. 4 shows a back view of the control panel for a paving machine of the present invention; FIG. 5 shows a left side view of the control panel for a paving machine of the present invention; FIG. 6 shows a right side view of the control panel for a paving machine of the present invention; FIG. 7 shows a top view of the control panel for a paving machine of the present invention; and, FIG. 8 shows a bottom view of the control panel for a paving machine of the present invention.

1 Claim, 8 Drawing Sheets





FIG. 1

FIG. 2

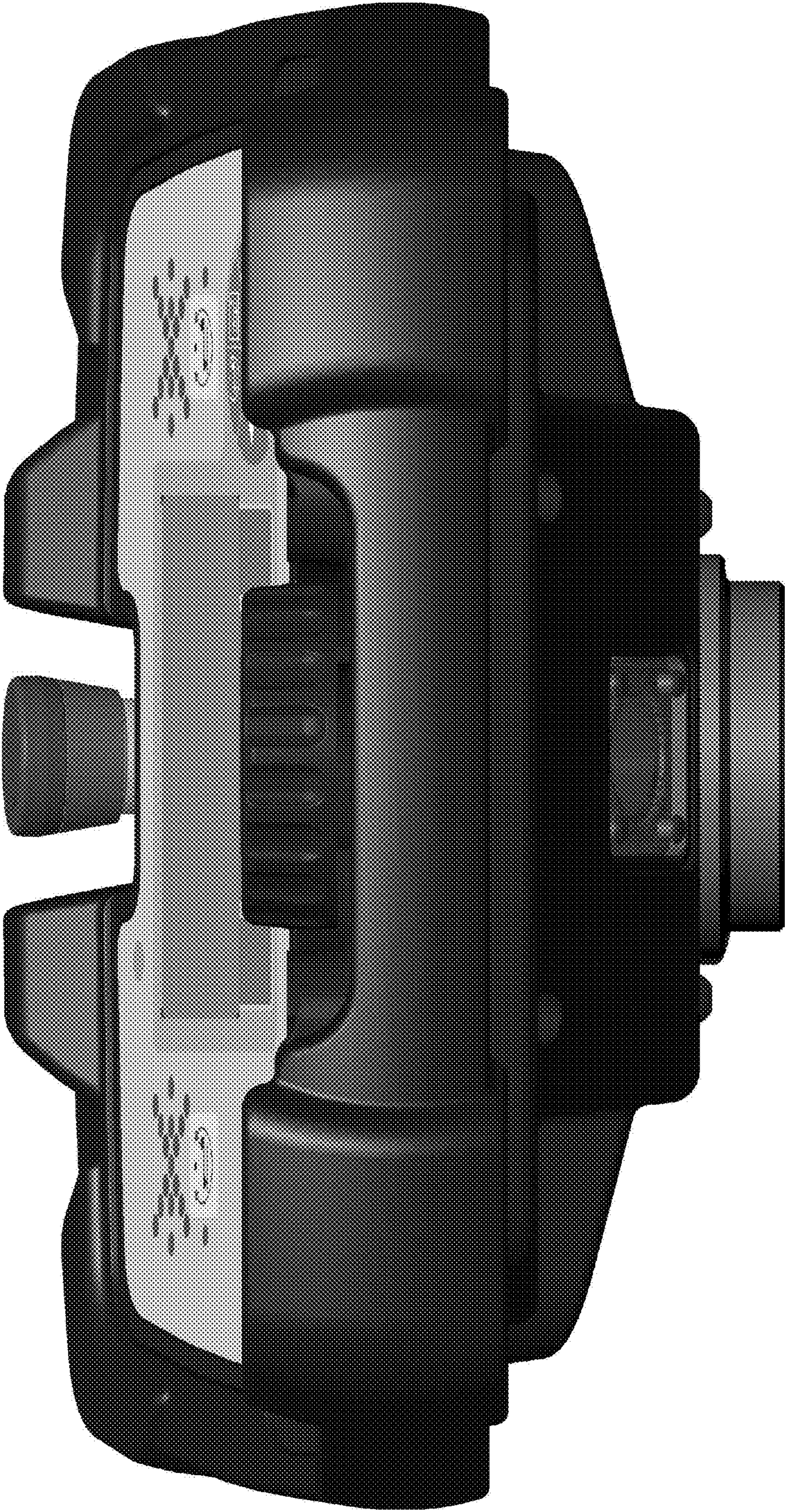


FIG. 3





FIG. 4

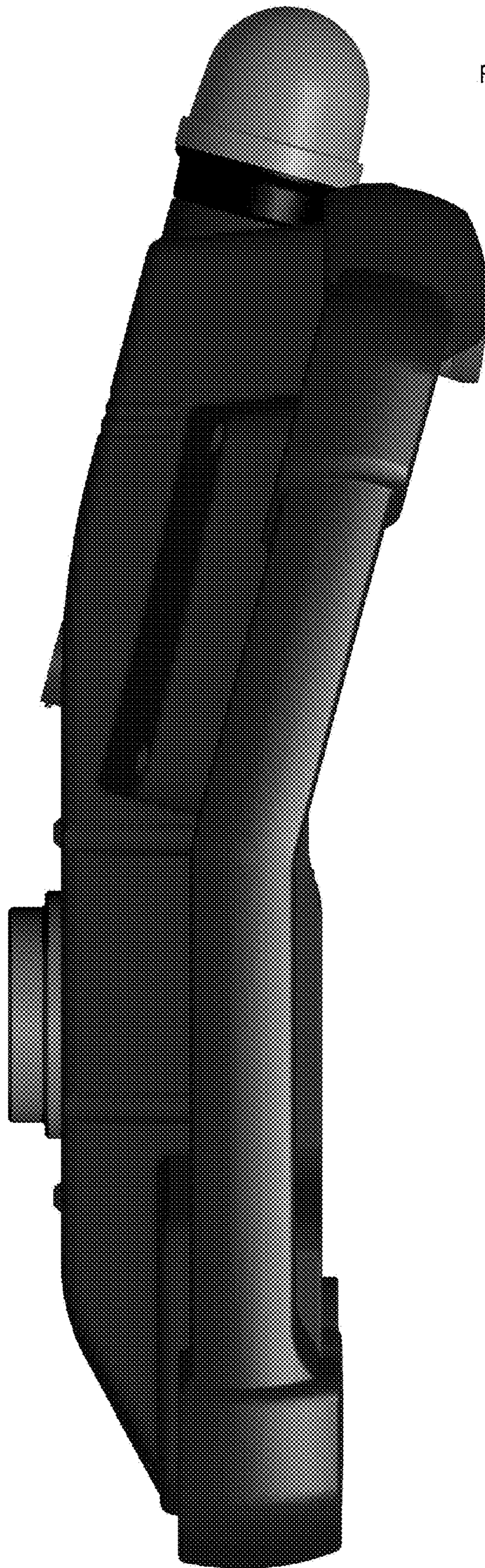


FIG. 5

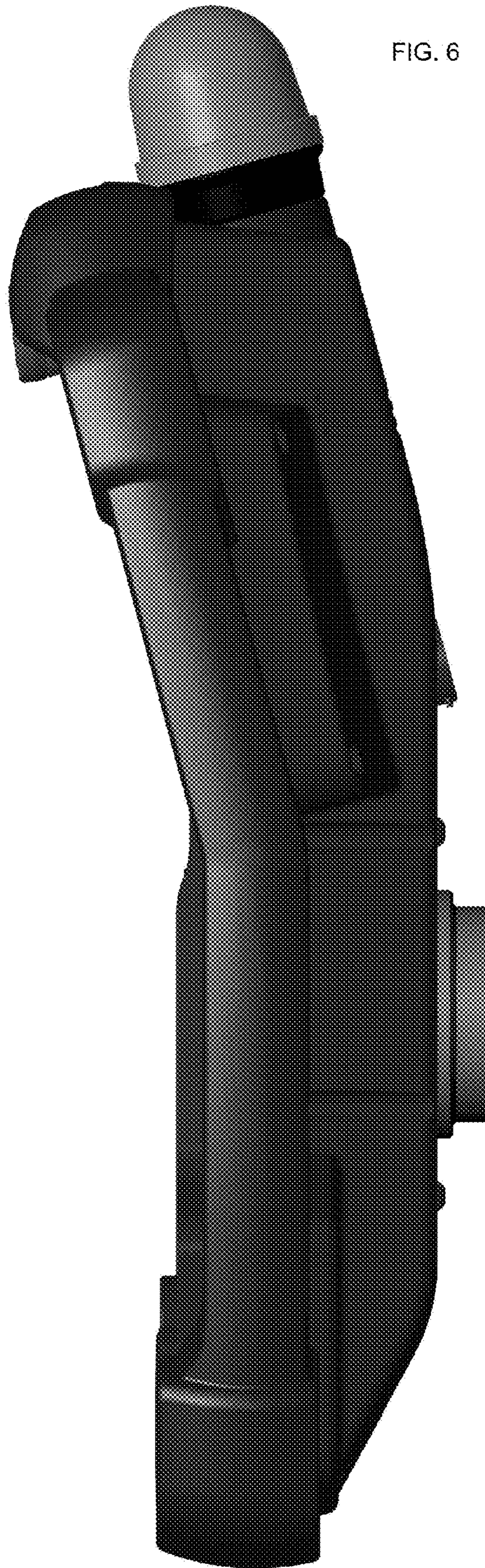


FIG. 6

FIG. 7

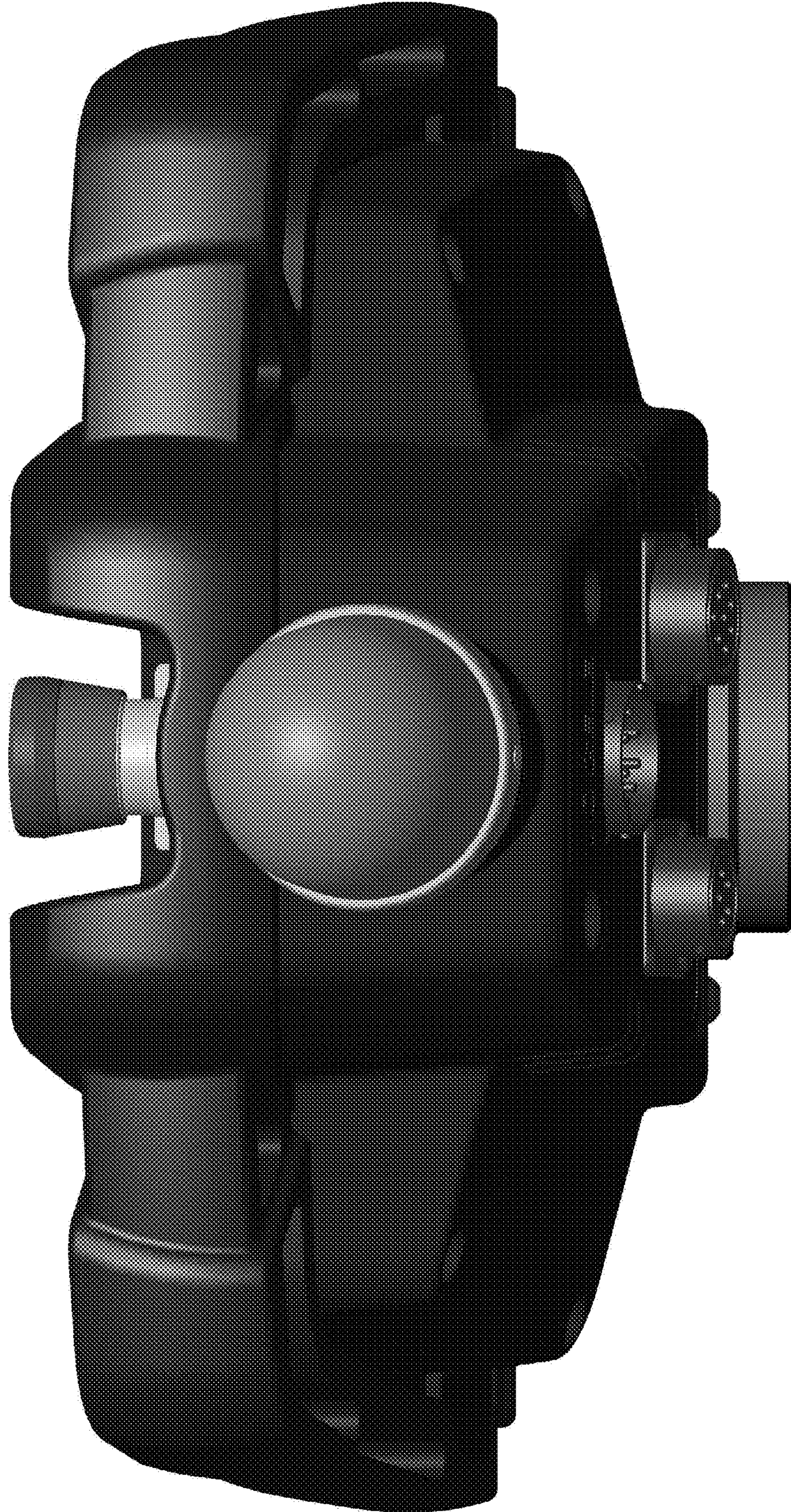


FIG. 8

