



US00D689027S

(12) **United States Design Patent**
Waggoner

(10) **Patent No.:** **US D689,027 S**

(45) **Date of Patent:** **** Sep. 3, 2013**

(54) **RG CABLE CONNECTOR**

(75) **Inventor:** **Christopher H. Waggoner**, Greensboro, NC (US)

(73) **Assignee:** **Camco Manufacturing, Inc.**, Greensboro, NC (US)

(**) **Term:** **14 Years**

(21) **Appl. No.:** **29/395,935**

(22) **Filed:** **Apr. 24, 2012**

(51) **LOC (9) Cl.** **13-03**

(52) **U.S. Cl.**
USPC **D13/156; D13/151**

(58) **Field of Classification Search**
USPC D13/151, 133, 149, 150, 154, 156,
D13/184, 199; D8/382, 387; 439/63, 74,
439/79, 108, 247, 248, 271, 275, 284, 289,
439/571, 578, 581, 583, 844
See application file for complete search history.

(56) **References Cited**

U.S. PATENT DOCUMENTS

4,043,629	A	8/1977	Brannen	
5,002,502	A	3/1991	Hill	
D319,813	S *	9/1991	Kozono	D13/133
D326,444	S *	5/1992	Studenski	D13/152
D434,729	S *	12/2000	Hwang	D13/147
6,276,962	B1	8/2001	Gaines	
D534,130	S *	12/2006	Park	D13/156
D573,107	S *	7/2008	Shu et al.	D13/156
D581,877	S *	12/2008	Kiely	D13/151
7,527,500	B2	5/2009	Montena	

OTHER PUBLICATIONS

Ref. No. 1, Cable/Cable Plate B & B Molders catalog 2012, p. 26, Apr. 24, 2012, 1 Page.

Ref. No. 2, Eagle Dual F81 Wall Plate from Summit Source website (www.summitsource.com) Mar. 29, 2012, 1 Page.

Ref. No. 3, 2 Port F-Type Wall Plate from Show Me Cables website (www.shomecables.com) Mar. 29, 2012, 1 Page.

* cited by examiner

Primary Examiner — Derrick Holland

(57) **CLAIM**

The ornamental design for a RG cable connector, as shown and described.

DESCRIPTION

FIG. 1 is front, top right perspective view of an RG cable connector, according to the invention;

FIG. 2 is front, top right perspective view of an RG cable connector, according to the invention shown in an alternate view;

FIG. 3 is a front elevational view thereof;

FIG. 4 is a back elevational view thereof;

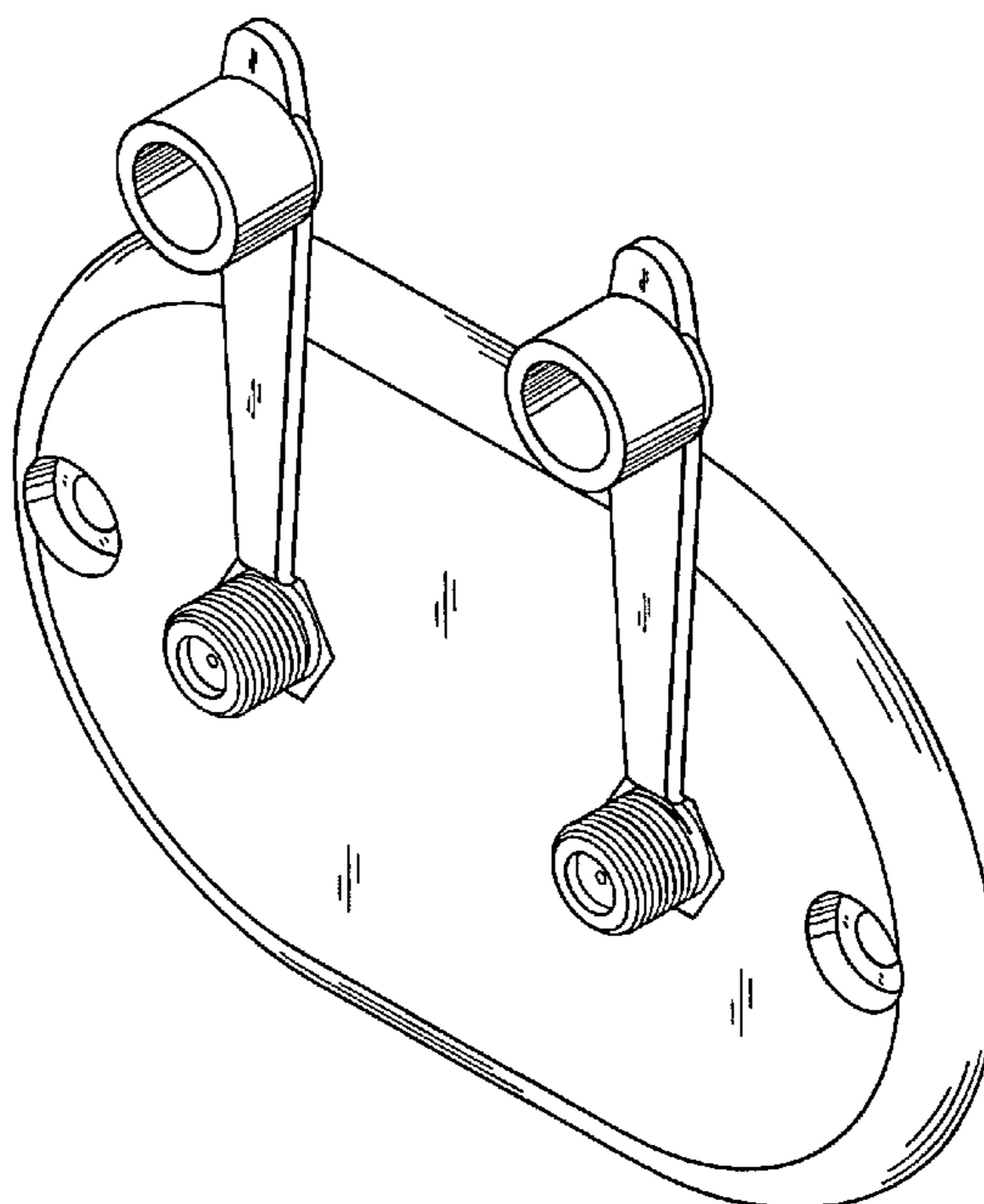
FIG. 5 is a right elevational view with the left elevational view being a mirror image thereof;

FIG. 6 is a top plan view thereof; and,

FIG. 7 is a bottom plan thereof.

The broken lines shown represent unclaimed subject matter and form no part of the claimed design.

1 Claim, 3 Drawing Sheets



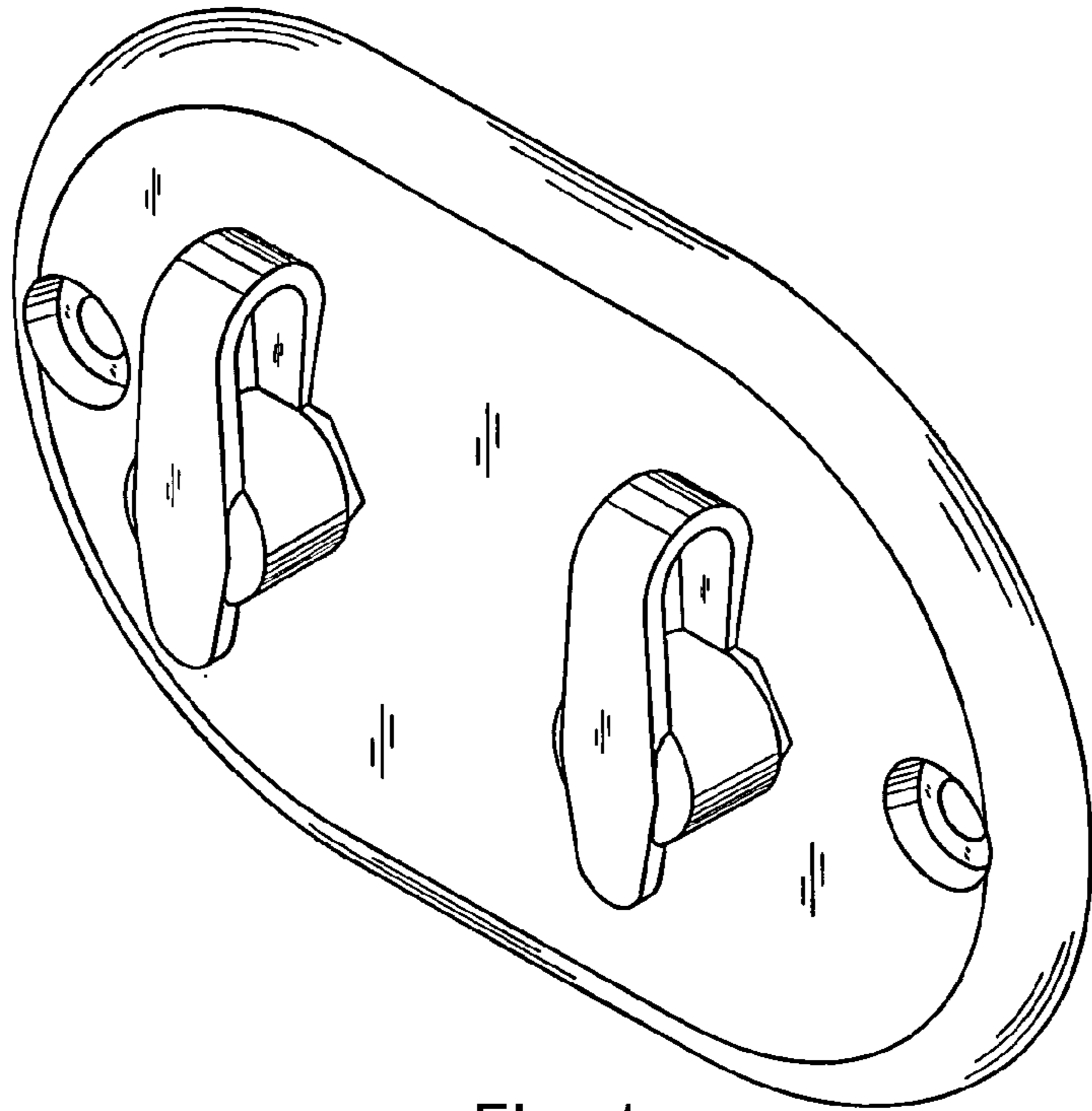


Fig. 1

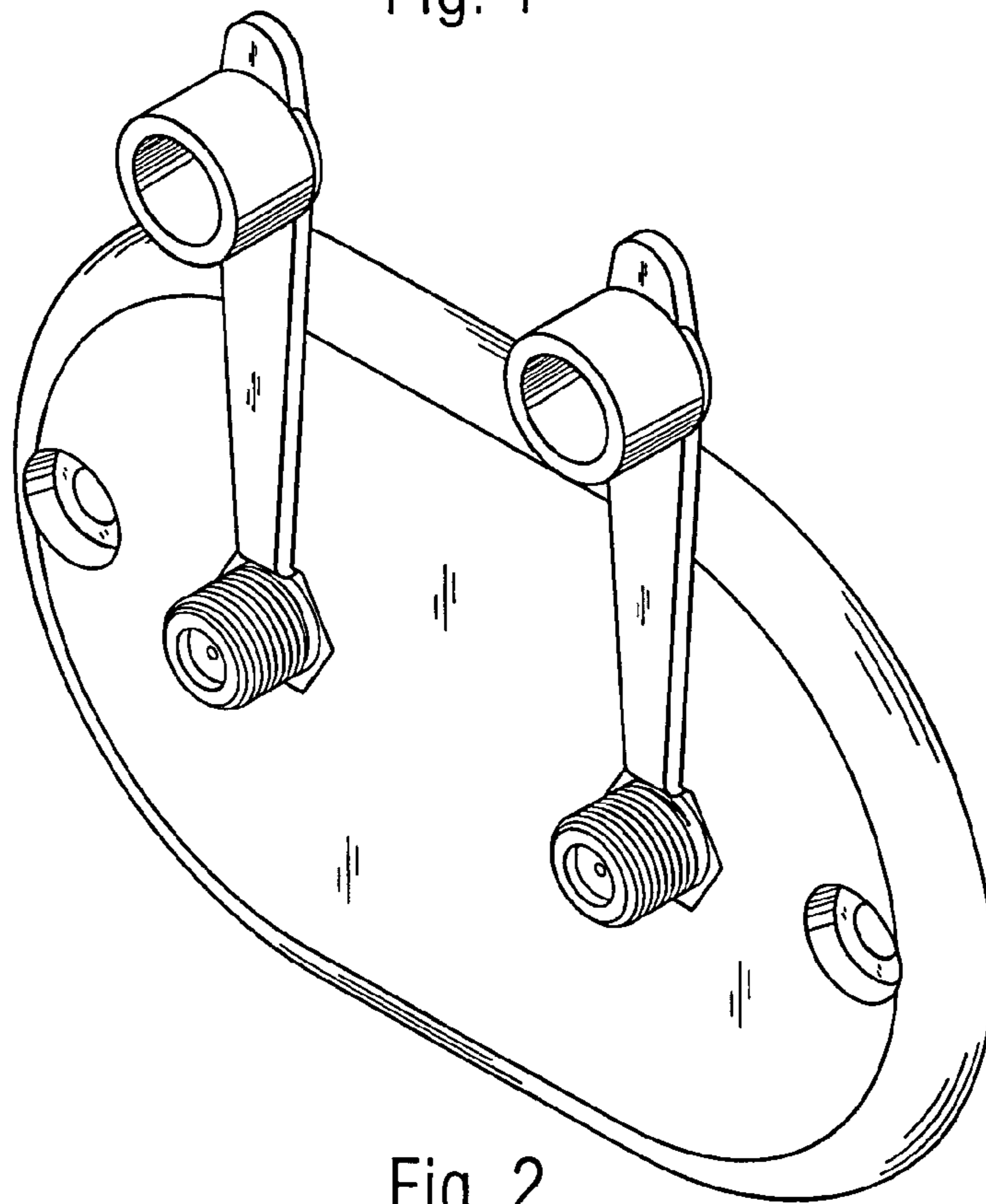


Fig. 2

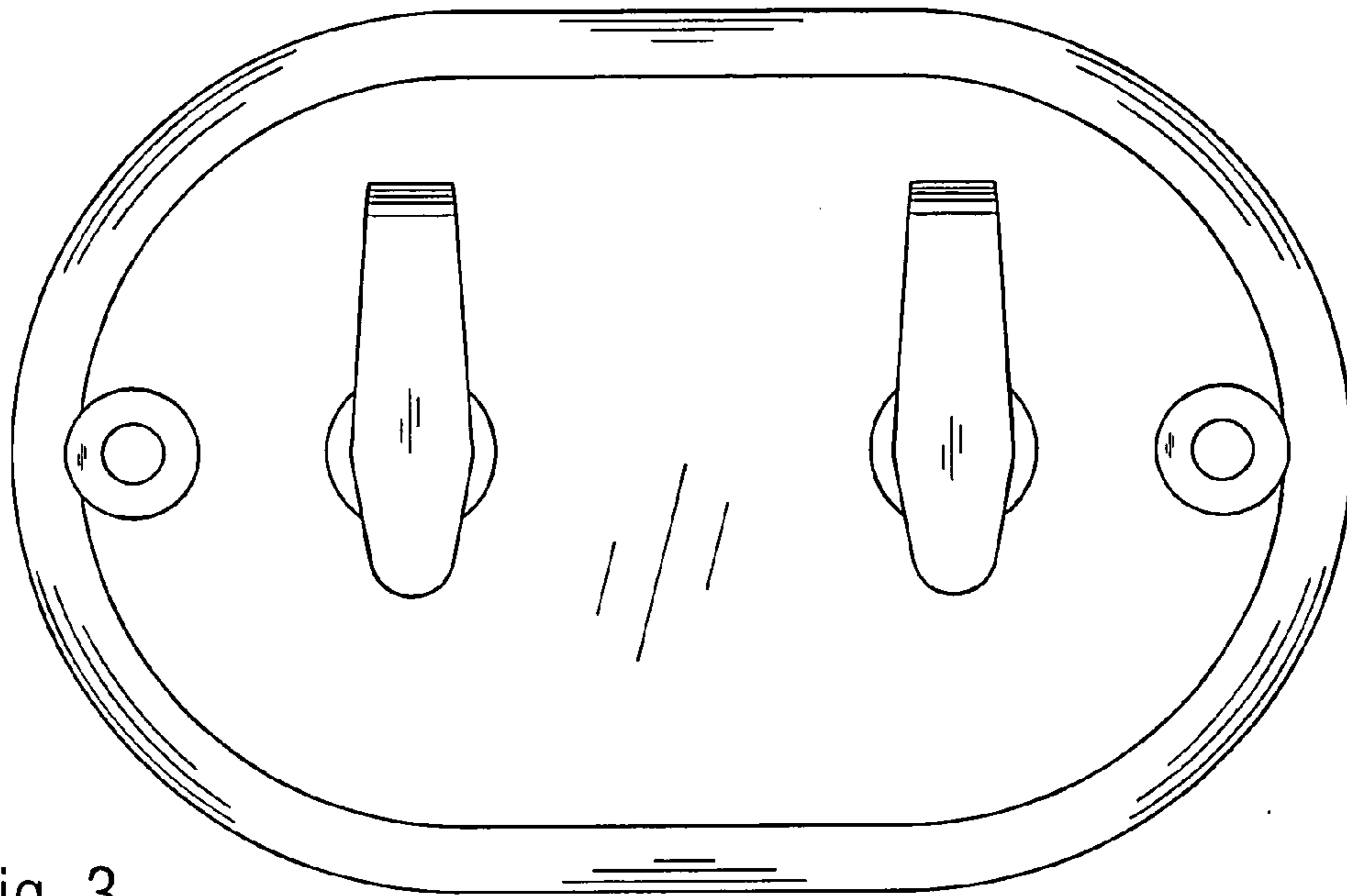


Fig. 3

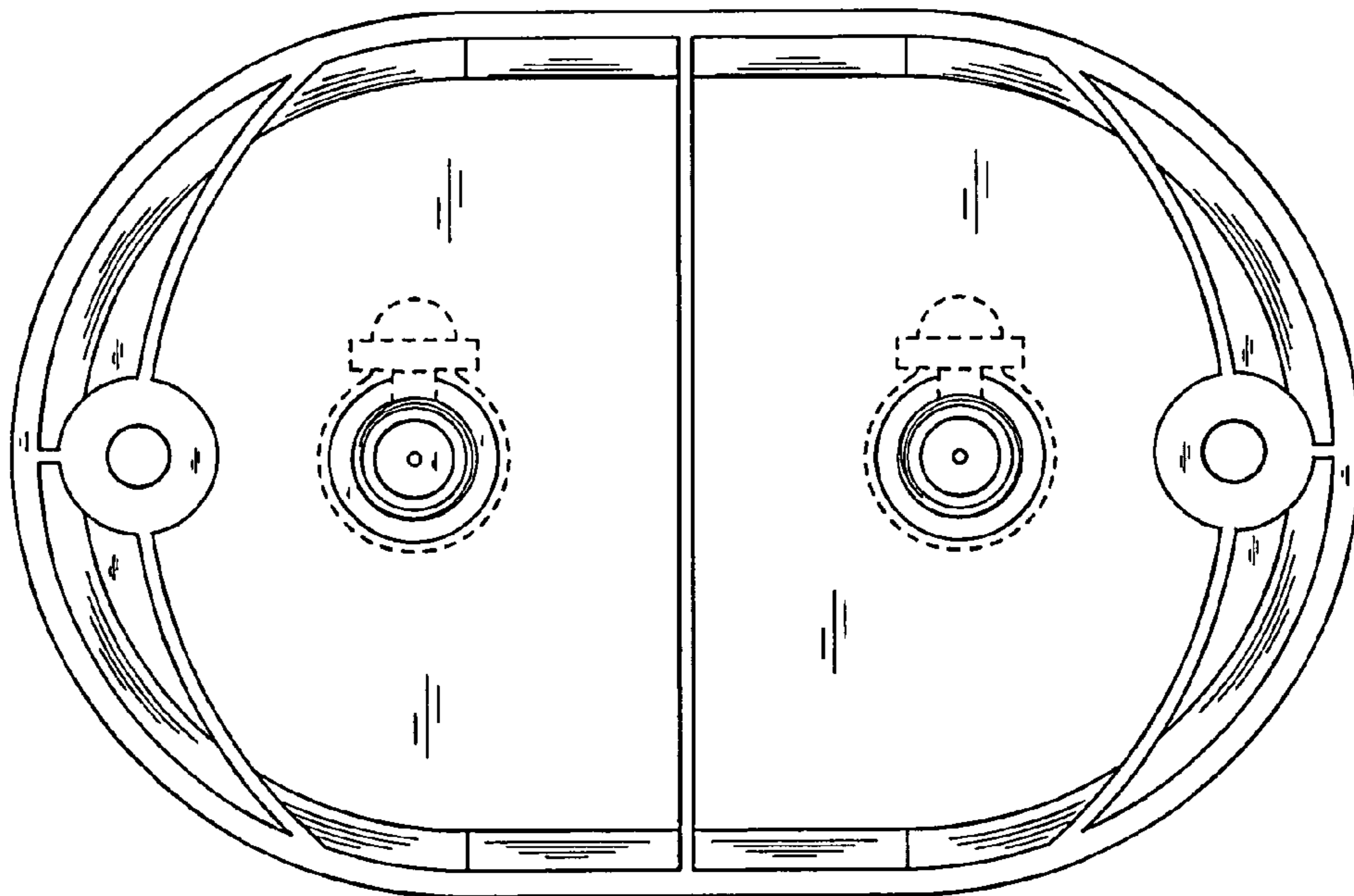


Fig. 4

Fig. 5

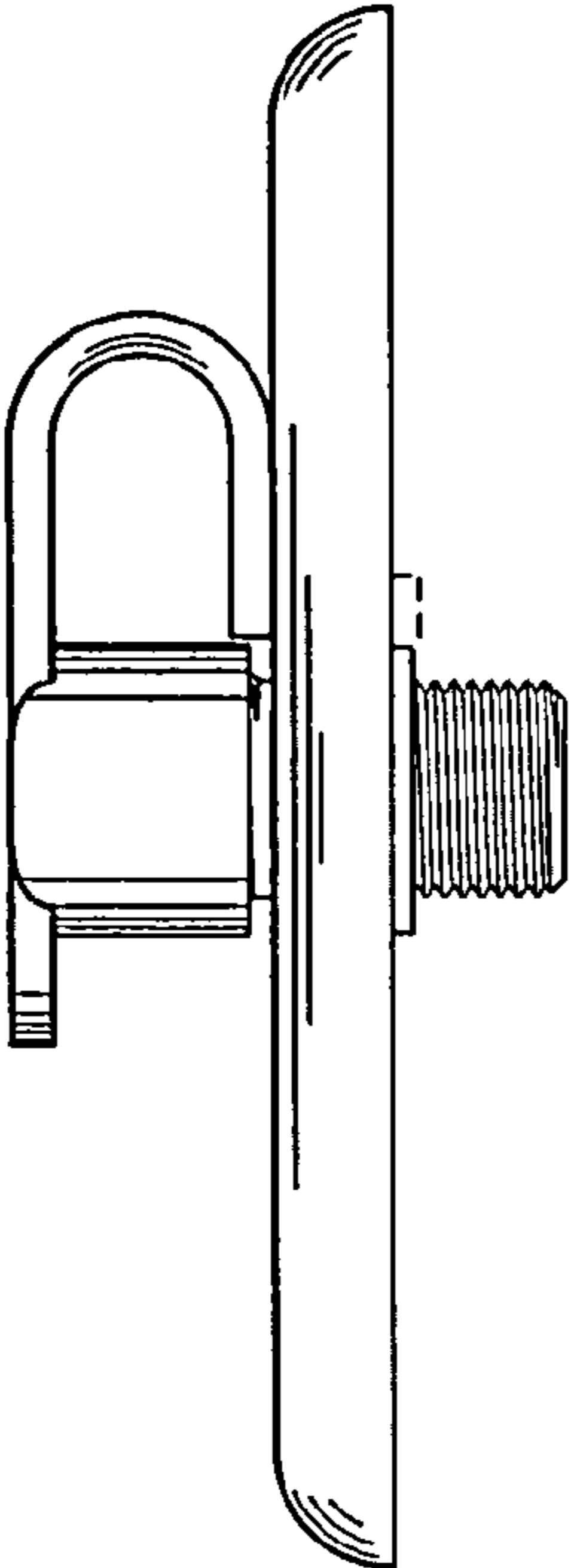


Fig. 6

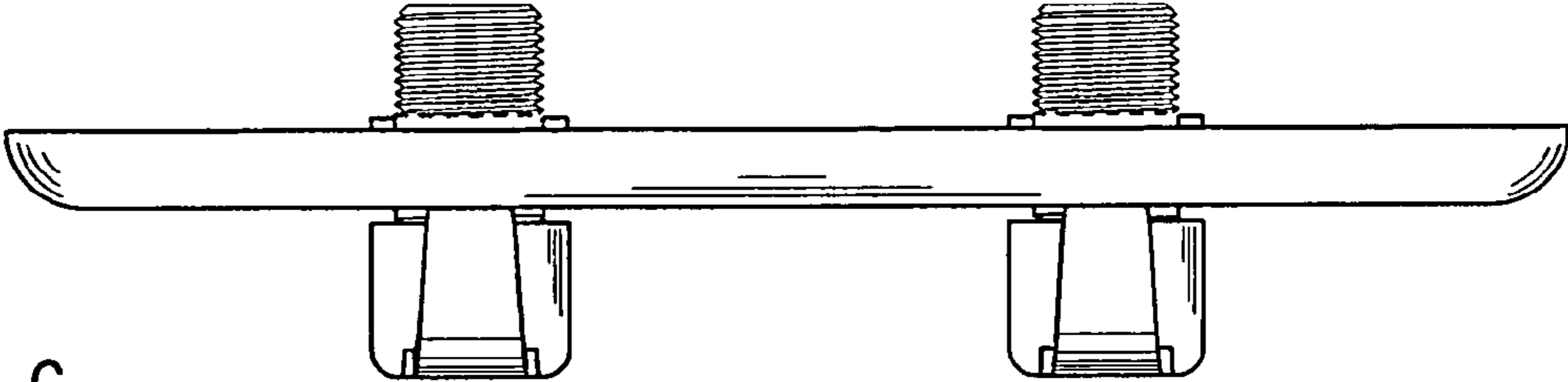


Fig. 7

