



US00D689026S

(12) **United States Design Patent**
Smith

(10) **Patent No.:** **US D689,026 S**
(45) **Date of Patent:** **** Sep. 3, 2013**

(54) **FLEXIBLE METAL CONDUIT TO ELECTRICAL METALLIC TUBING/RIGID CONDUIT TRANSITION COUPLER**

(71) Applicant: **Bridgeport Fittings, Inc.**, Stratford, CT (US)

(72) Inventor: **Lawrence J. Smith**, Stamford, CT (US)

(73) Assignee: **Bridgeport Fittings, Inc.**, Stratford, CT (US)

(**) Term: **14 Years**

(21) Appl. No.: **29/444,869**

(22) Filed: **Feb. 5, 2013**

(51) **LOC (9) Cl.** **13-03**

(52) **U.S. Cl.**
USPC **D13/155**

(58) **Field of Classification Search**
USPC D13/155, 133, 146, 149, 151, 153, D13/154, 156, 184, 199; D8/349, 354, 356, D8/394, 396; D23/259, 262, 386; 174/68.1, 174/68.3, 145, 154, 158 R, 650, 655, 656, 174/657, 659, 665, 666; 439/142, 319, 544, 439/552, 709, 724, 798, 810, 811, 814
See application file for complete search history.

(56) **References Cited**

U.S. PATENT DOCUMENTS

D171,627 S * 3/1954 Weber D13/133
4,990,721 A * 2/1991 Sheehan 174/660

5,812,728 A * 9/1998 Wanamaker 385/139
6,262,369 B1 * 7/2001 Marik et al. 174/64
D482,761 S * 11/2003 Gotoh et al. D23/262
6,849,803 B1 * 2/2005 Gretz 174/665
6,872,886 B2 * 3/2005 Kiely 174/656
D539,229 S * 3/2007 Murphey D13/155
D633,873 S * 3/2011 Kiely D13/155

* cited by examiner

Primary Examiner — Derrick Holland

(74) *Attorney, Agent, or Firm* — Ware, Fressola, Maguire & Barber LLP

(57) **CLAIM**

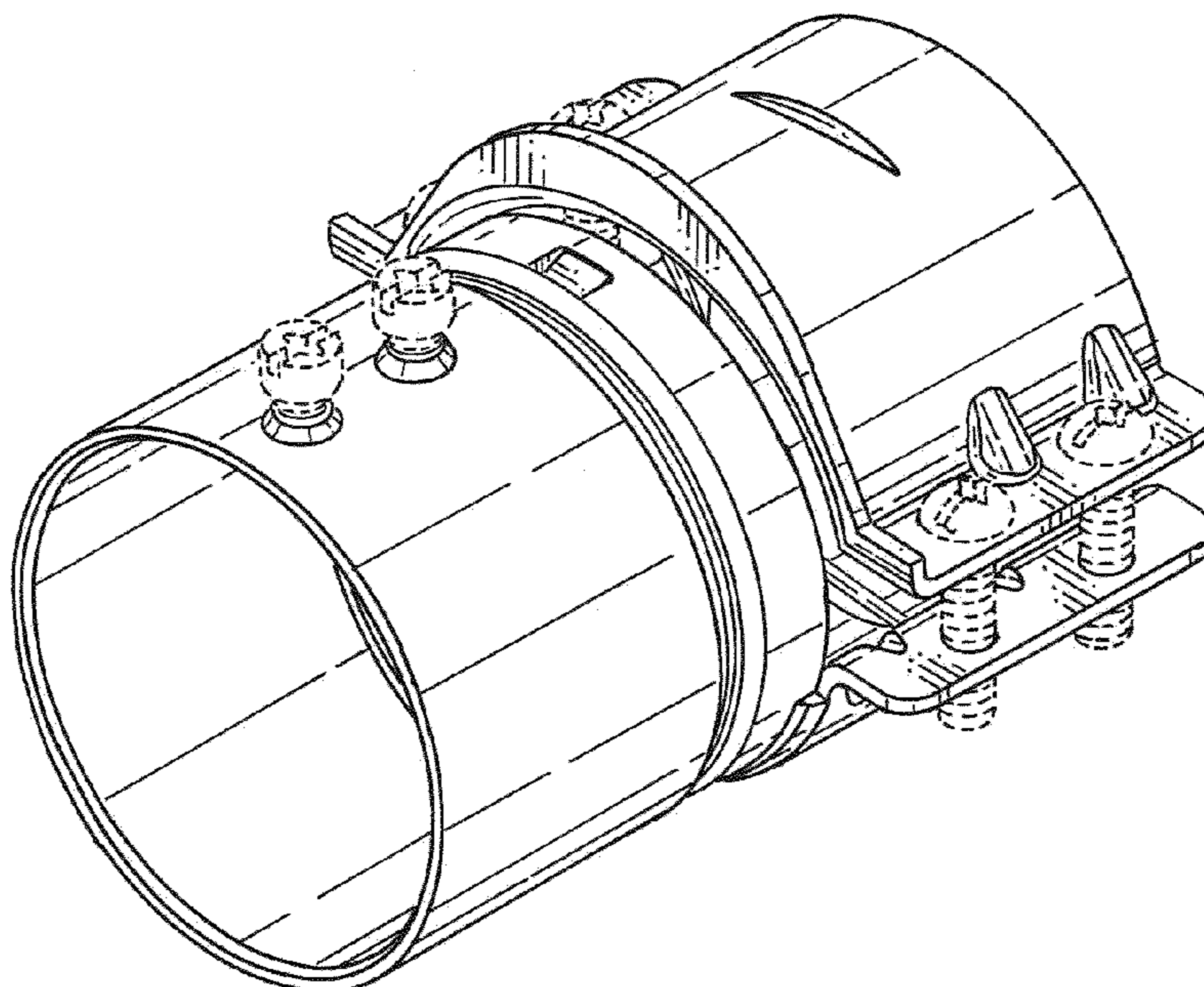
The ornamental design for a flexible metal conduit to electrical metallic tubing/rigid conduit transition coupler, as shown and described.

DESCRIPTION

FIG. 1 is a perspective view of a flexible metal conduit to electrical metallic tubing/rigid conduit transition coupler showing my new design;
FIG. 2 is a top plan view thereof;
FIG. 3 is a right side view thereof;
FIG. 4 is a bottom plan view thereof;
FIG. 5 is a left side view thereof;
FIG. 6 is a rear view thereof; and,
FIG. 7 is a front view thereof.

The broken lines shown represent unclaimed subject matter and form no part of the claimed design.

1 Claim, 3 Drawing Sheets



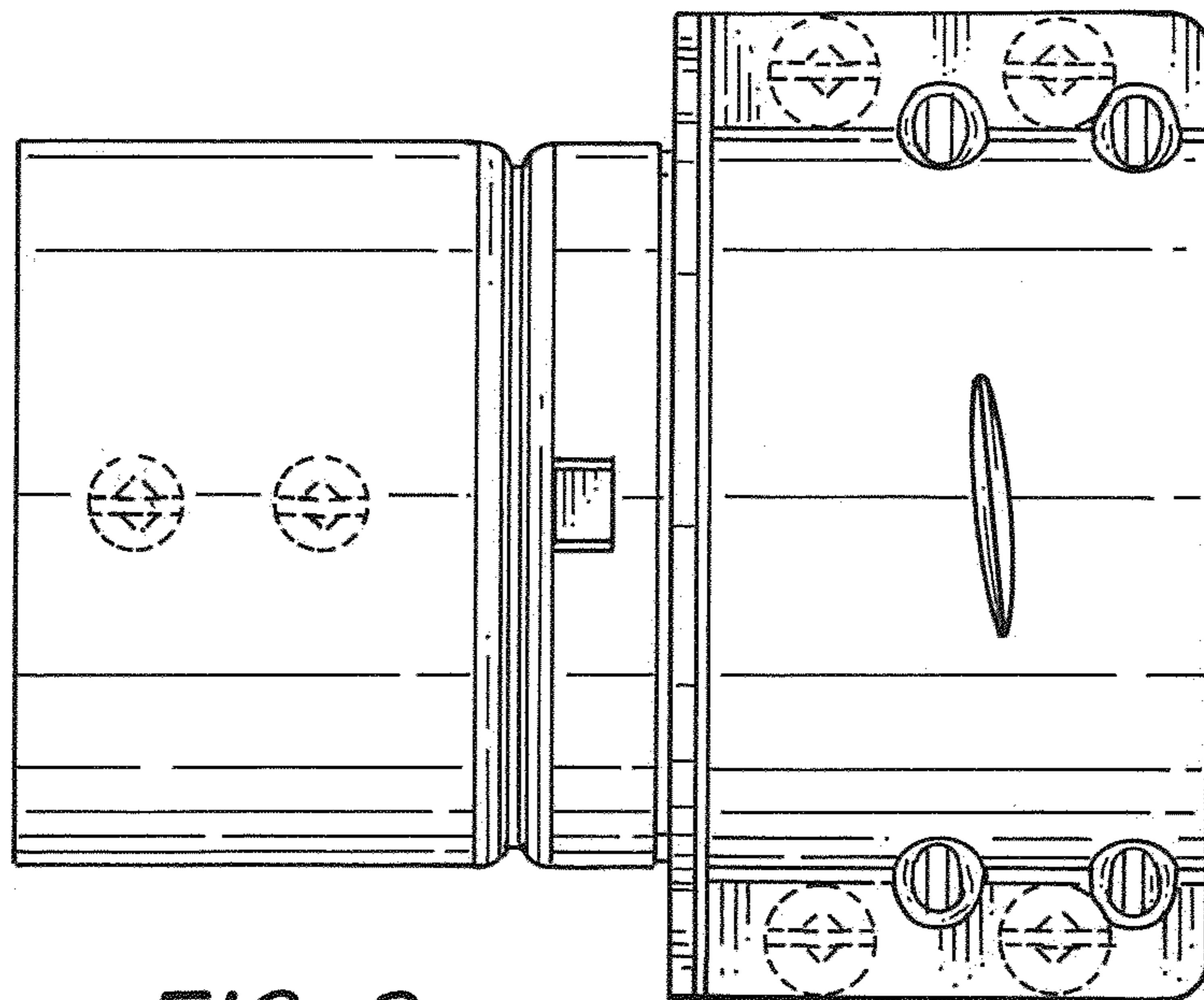
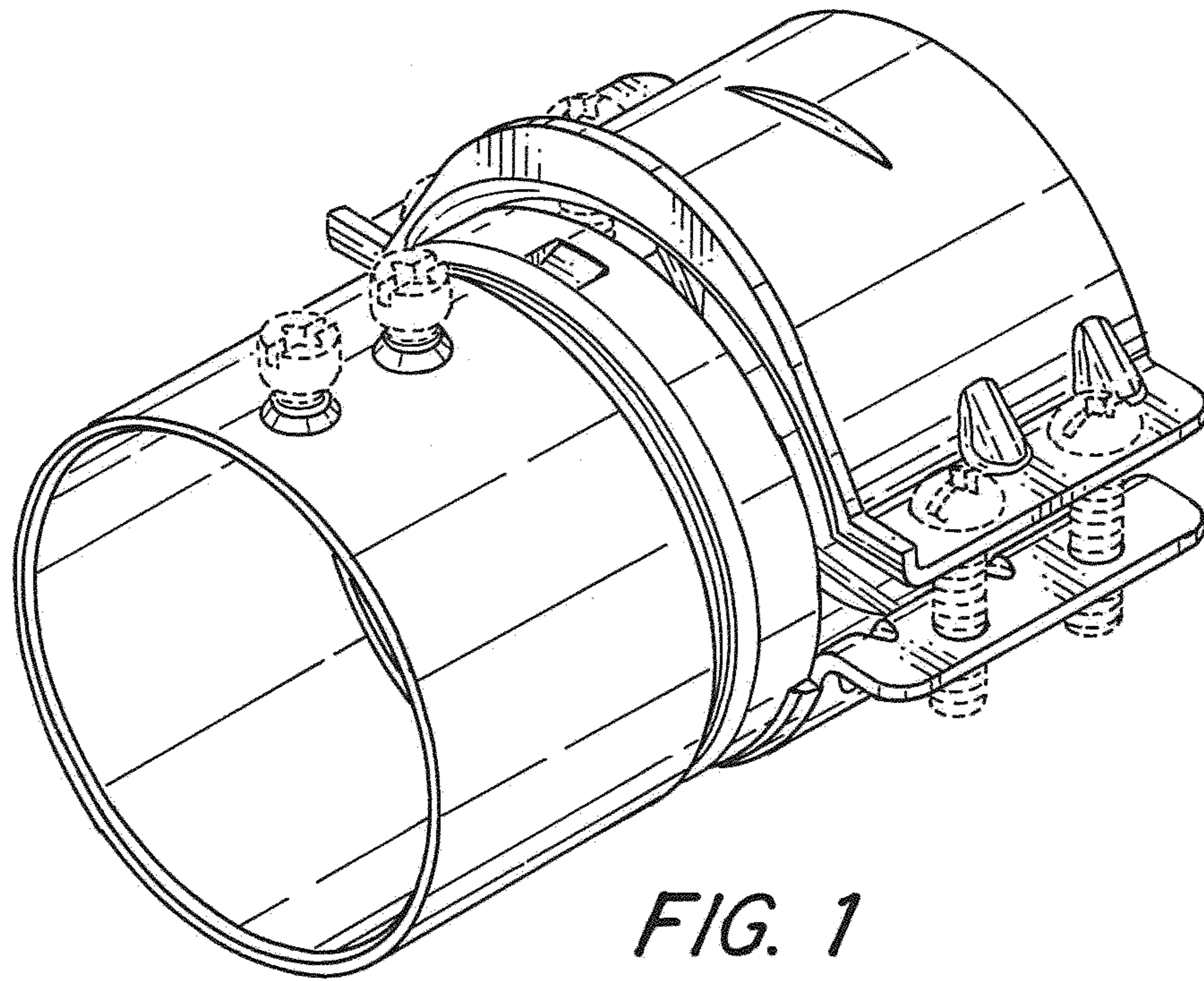


FIG. 2

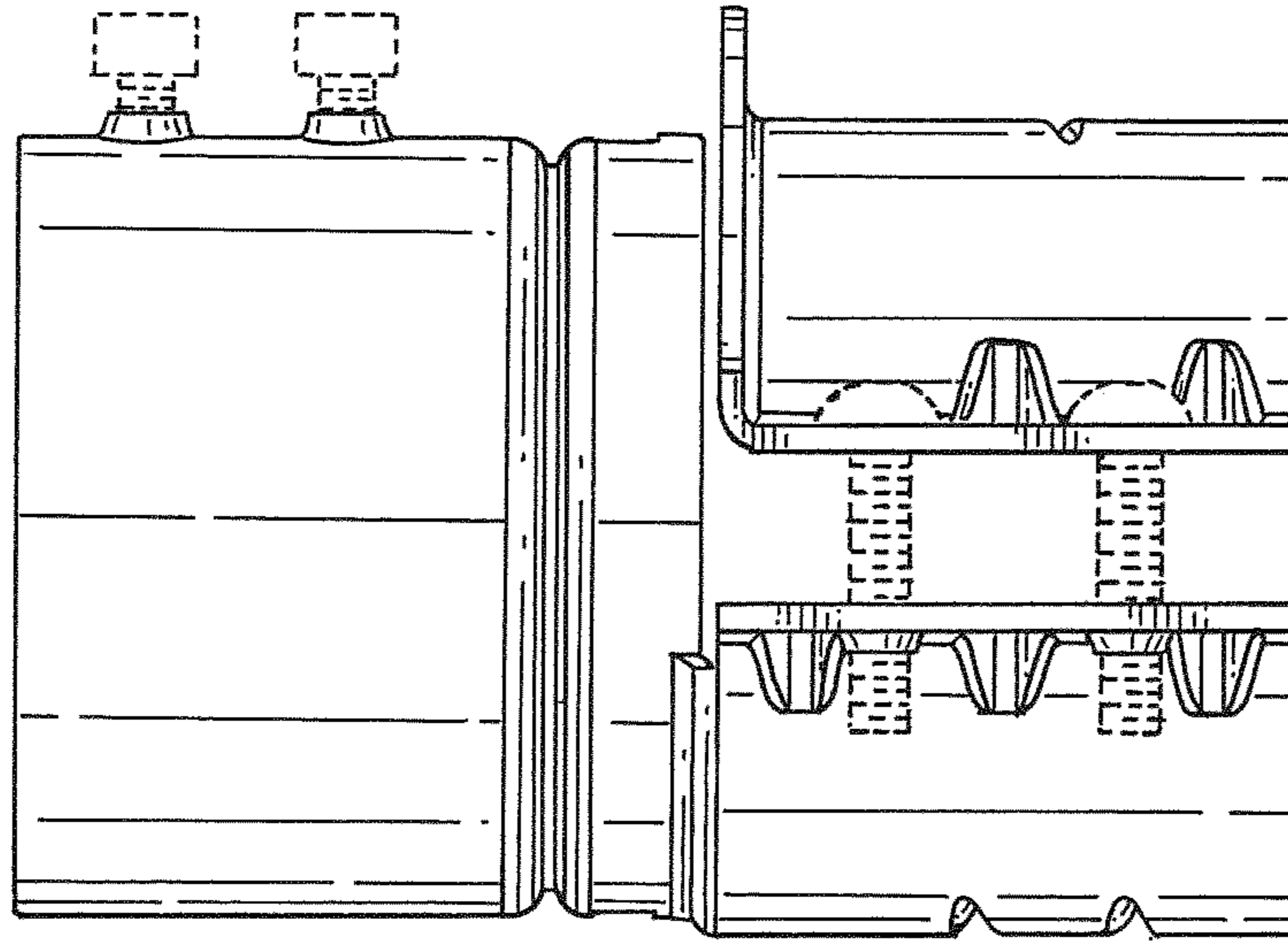


FIG. 3

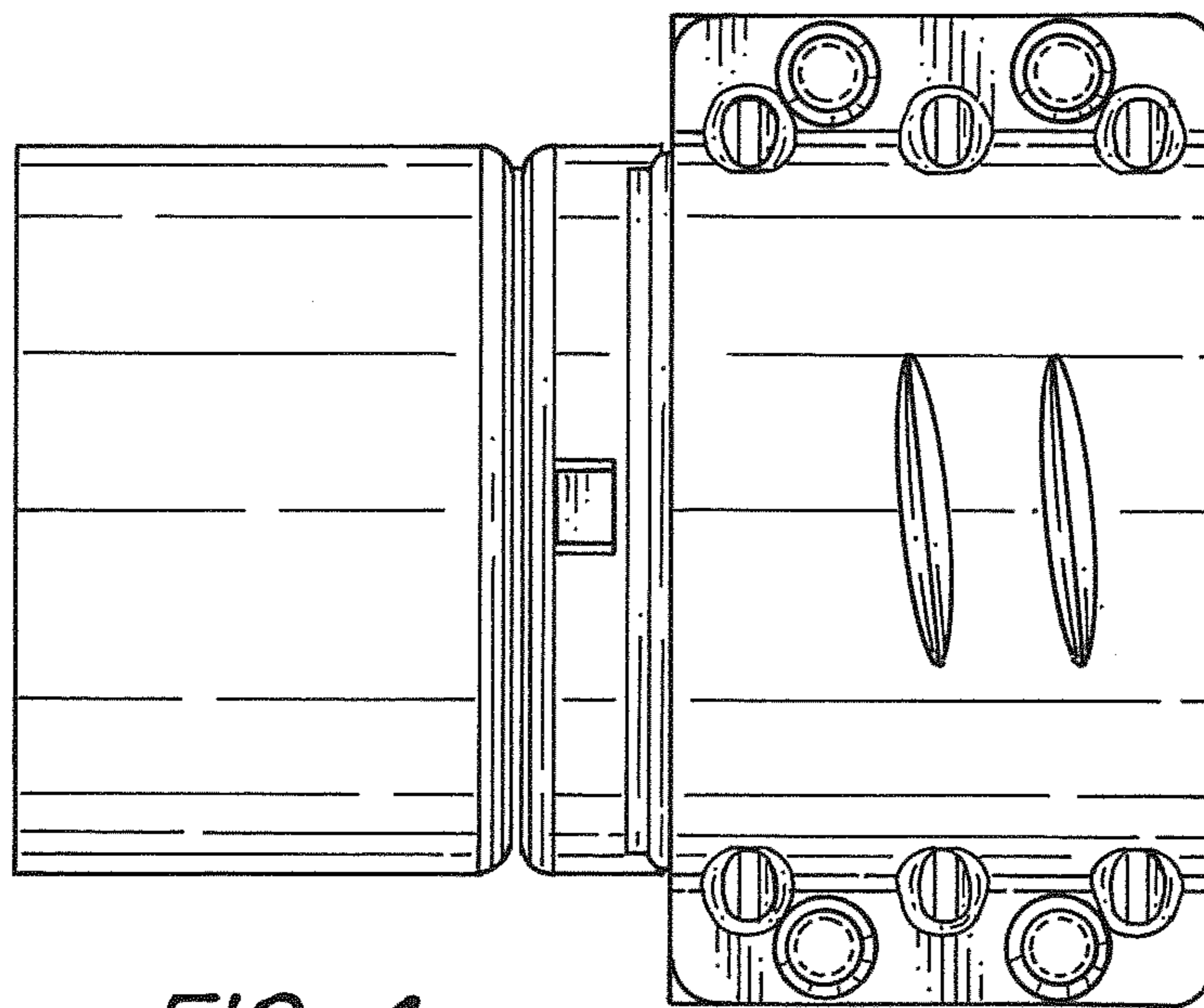


FIG. 4

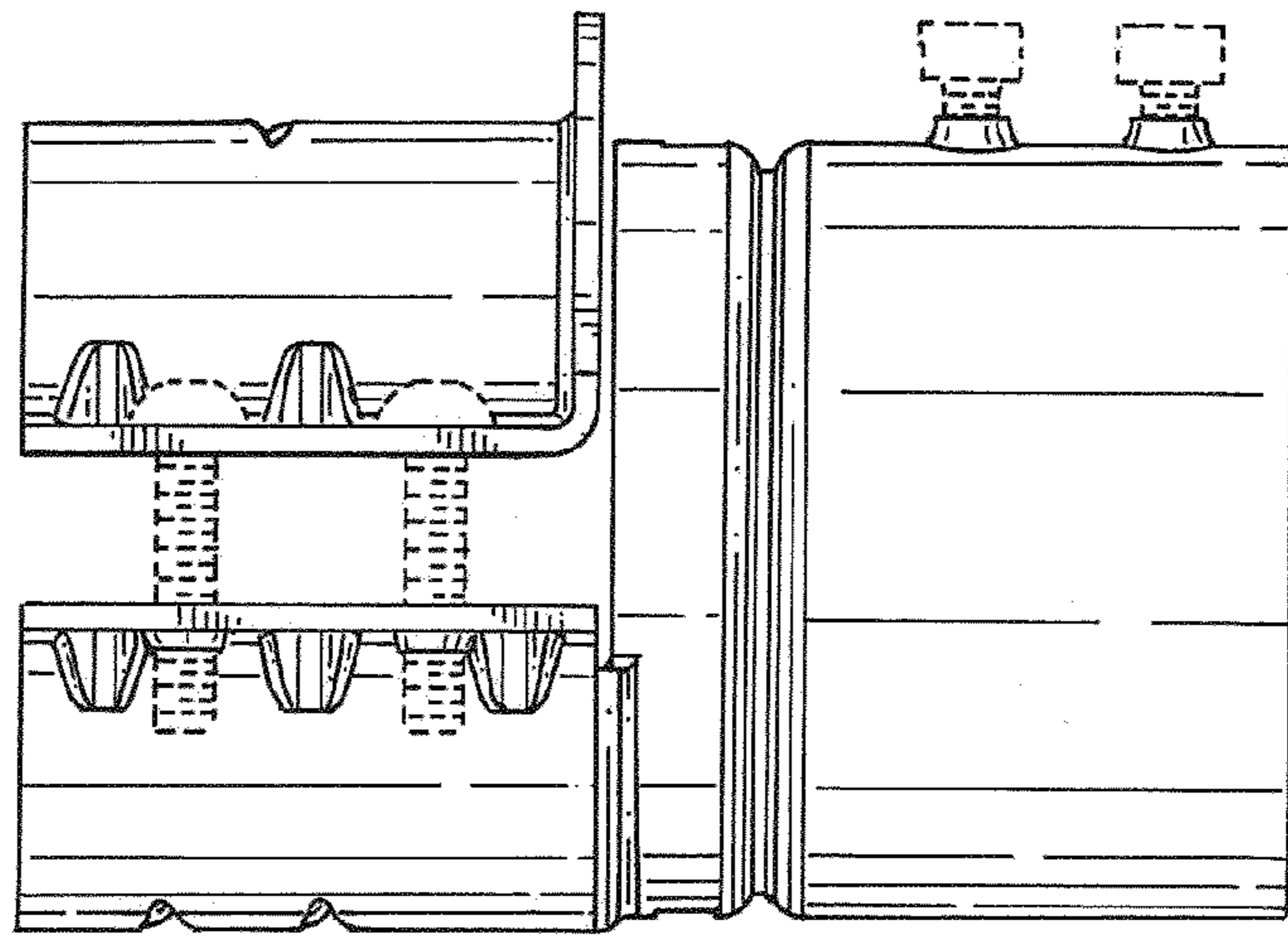


FIG. 5

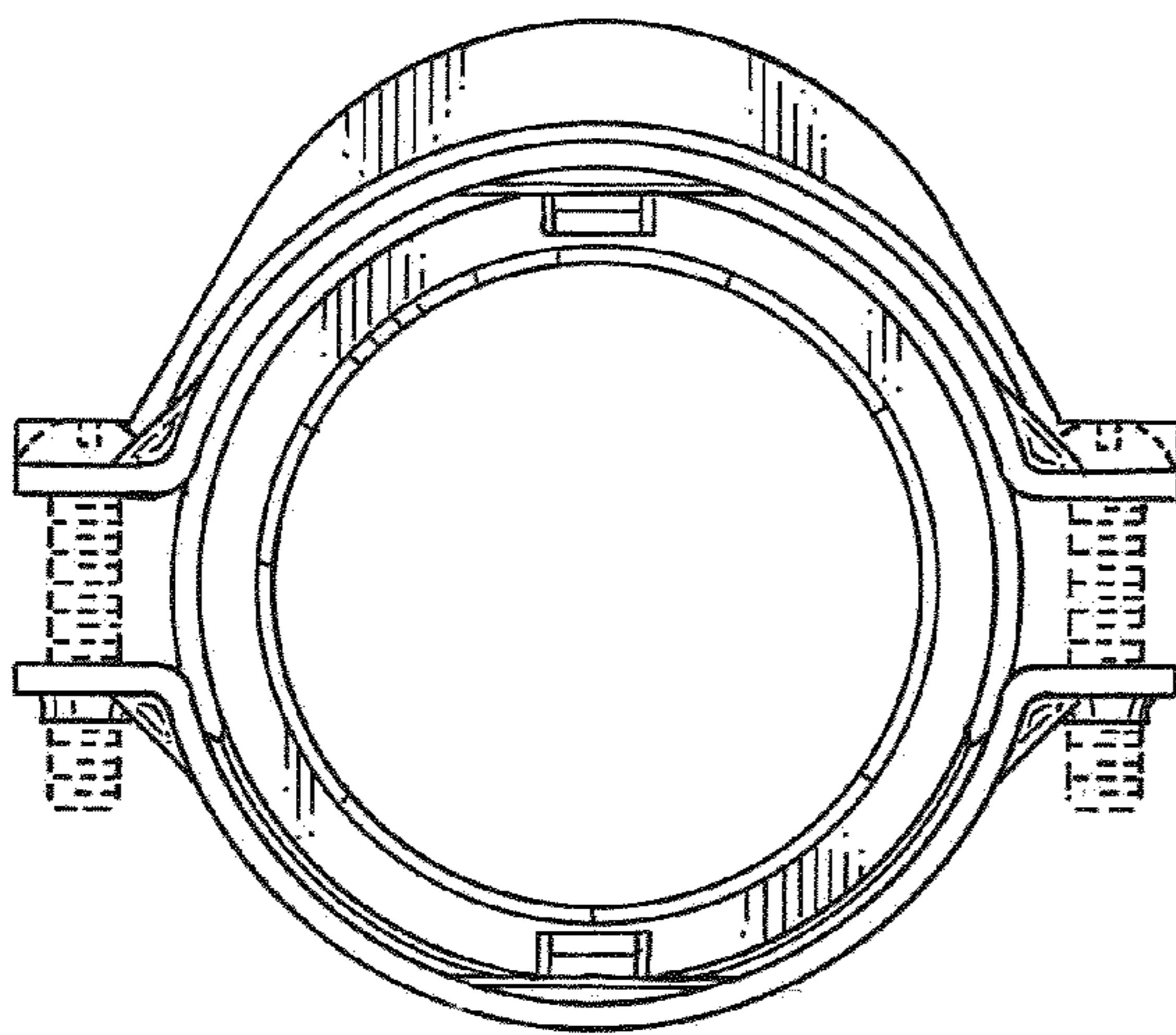


FIG. 6

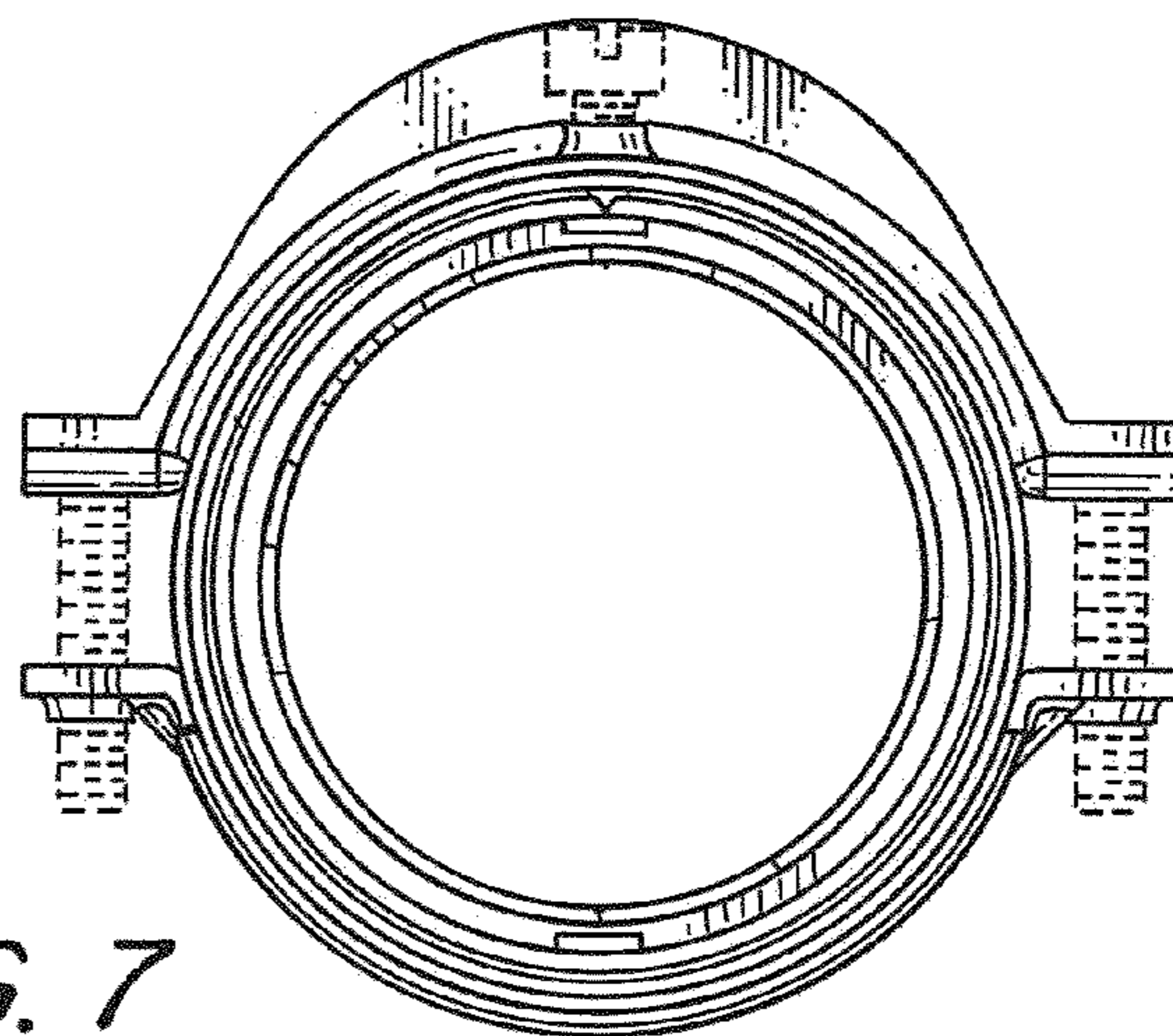


FIG. 7