



US00D689025S

(12) **United States Design Patent**
Yu et al.

(10) **Patent No.:** **US D689,025 S**

(45) **Date of Patent:** **** Sep. 3, 2013**

(54) **INSTALLER FOR A CONNECTOR**

Assistant Examiner — Lauren Calve

(76) Inventors: **Juhyun Yu**, Tokyo (JP); **Kouki Hirano**,
Tokyo (JP)

(74) *Attorney, Agent, or Firm* — John R. Benefiel

(**) **Term:** **14 Years**

(57) **CLAIM**

The ornamental design for an installer for a connector, as shown and described.

(21) **Appl. No.:** **29/402,633**

(22) **Filed:** **Sep. 26, 2011**

DESCRIPTION

(30) **Foreign Application Priority Data**

Mar. 31, 2011 (JP) 2011 007529

(51) **LOC (9) Cl.** **13-03**

(52) **U.S. Cl.**
USPC **D13/155**

(58) **Field of Classification Search**

USPC D13/120, 133, 146, 147, 149, 151,
D13/154, 184, 199; 174/74 A, 74 R, 75 C,
174/84 C, 84 R, 84 S, 88 S; 439/271, 275,
439/277, 278, 279, 281, 283, 455, 447, 578,
439/583, 584, 752.5, 927

See application file for complete search history.

FIG. 1 is a perspective view of an installer for a connector.

FIG. 2 is a second perspective view thereof.

FIG. 3 is a third perspective view thereof.

FIG. 4 is a right side elevational view thereof.

FIG. 5 is a top view thereof.

FIG. 6 is a bottom view thereof.

FIG. 7 is a rear end view thereof.

FIG. 8 is a front end view thereof.

FIG. 9 is a left side elevational view thereof.

FIG. 10 is a perspective view thereof shown in an environmental use.

FIG. 11 is a right side elevational thereof shown in an environmental use.

FIG. 12 is a bottom view thereof shown in an environmental use.

FIG. 13 is a left side view thereof shown in an environmental use.

FIG. 14 is a rear end view thereof shown in an environmental use; and,

FIG. 15 is a front end view thereof shown in an environmental use.

The broken line showing of an installer for a connector represents unclaimed subject matter and forms no part of the claimed design.

(56) **References Cited**

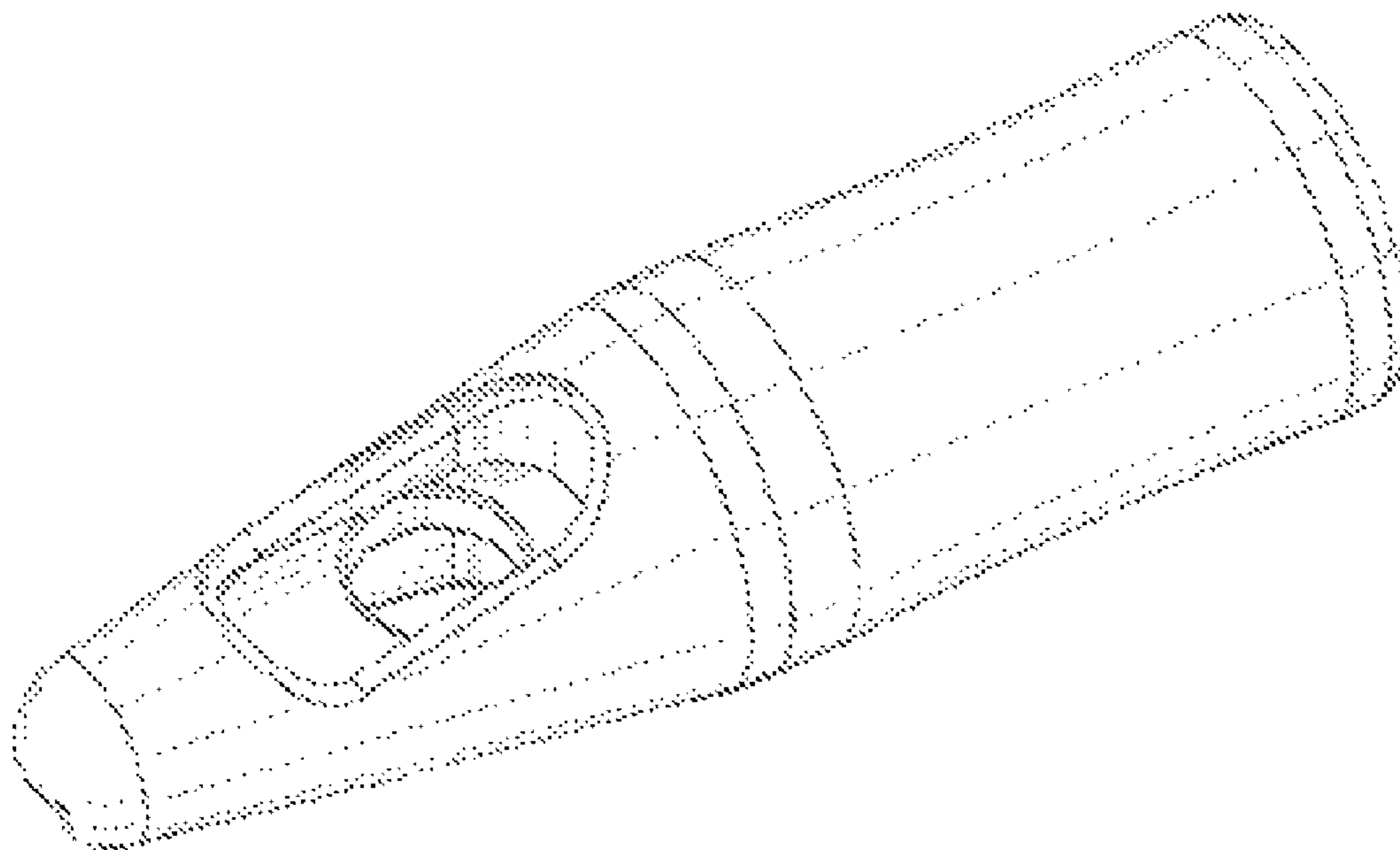
U.S. PATENT DOCUMENTS

D349,685 S *	8/1994	Yair	D13/133
5,594,211 A *	1/1997	Di Troia et al.	174/84 R
D473,194 S *	4/2003	Lee	D13/154
D496,909 S *	10/2004	D'Addario et al.	D13/154
D586,757 S *	2/2009	Minnick	D13/156

* cited by examiner

Primary Examiner — Derrick Holland

1 Claim, 4 Drawing Sheets



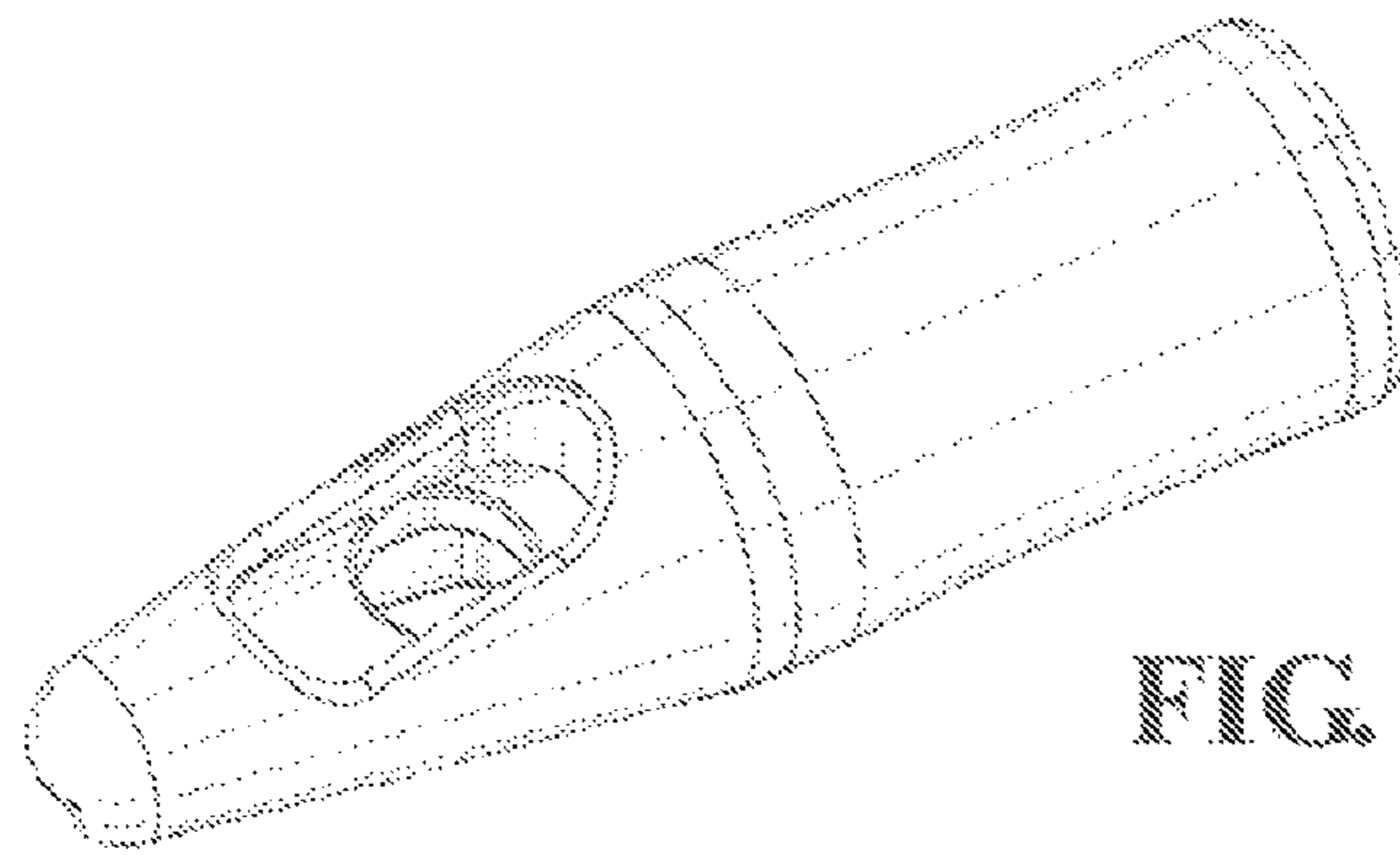


FIG. 1

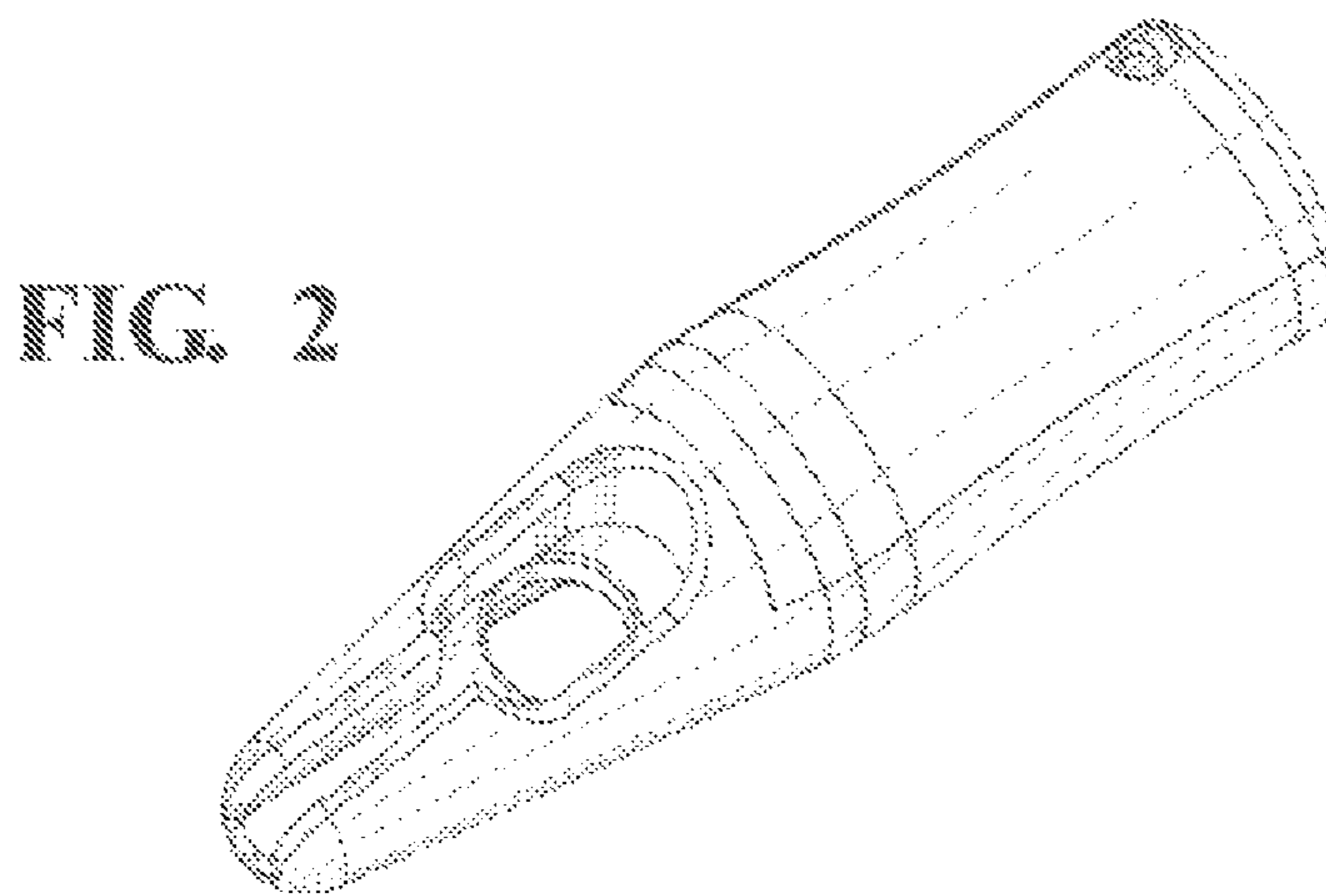


FIG. 2

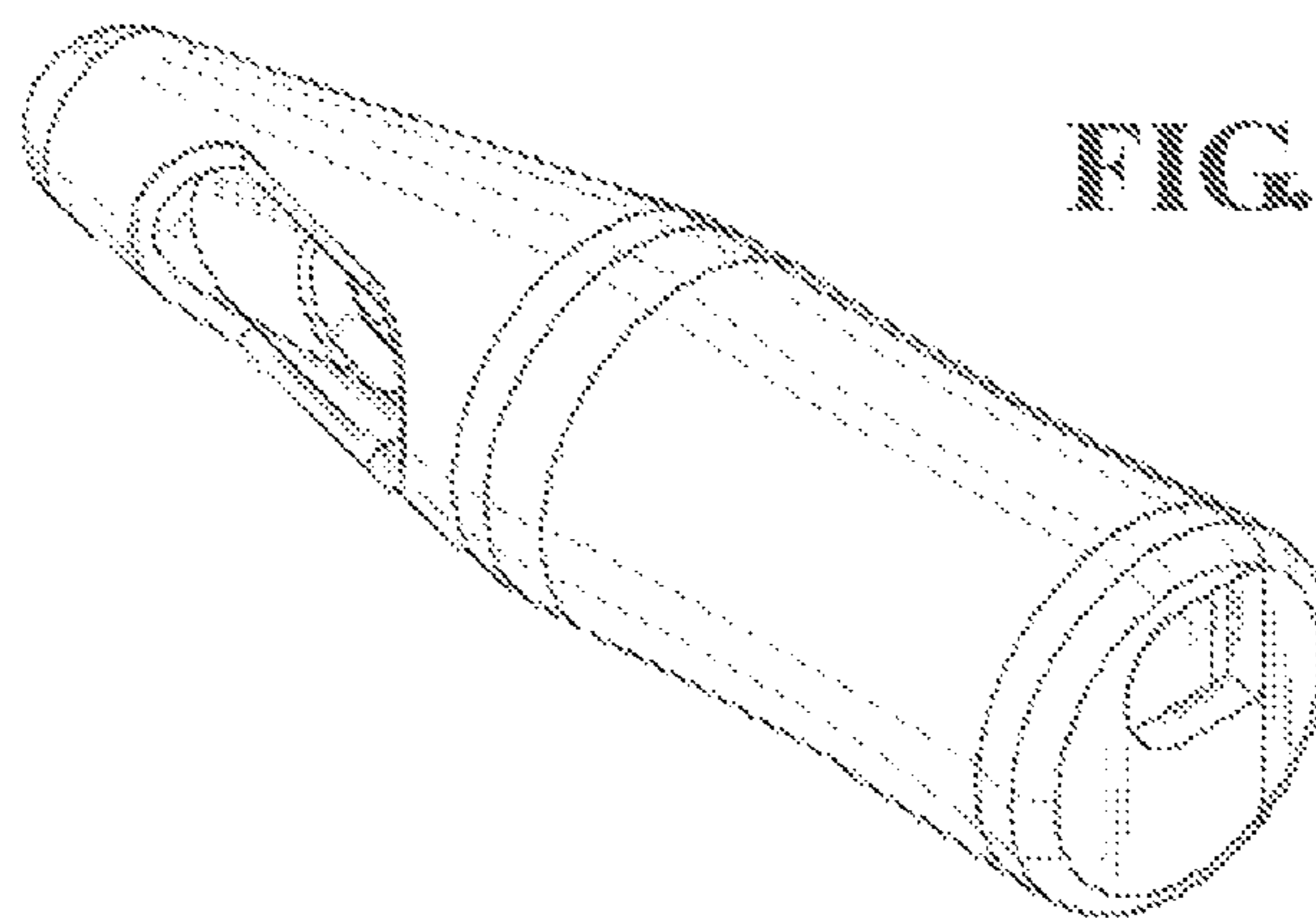


FIG. 3

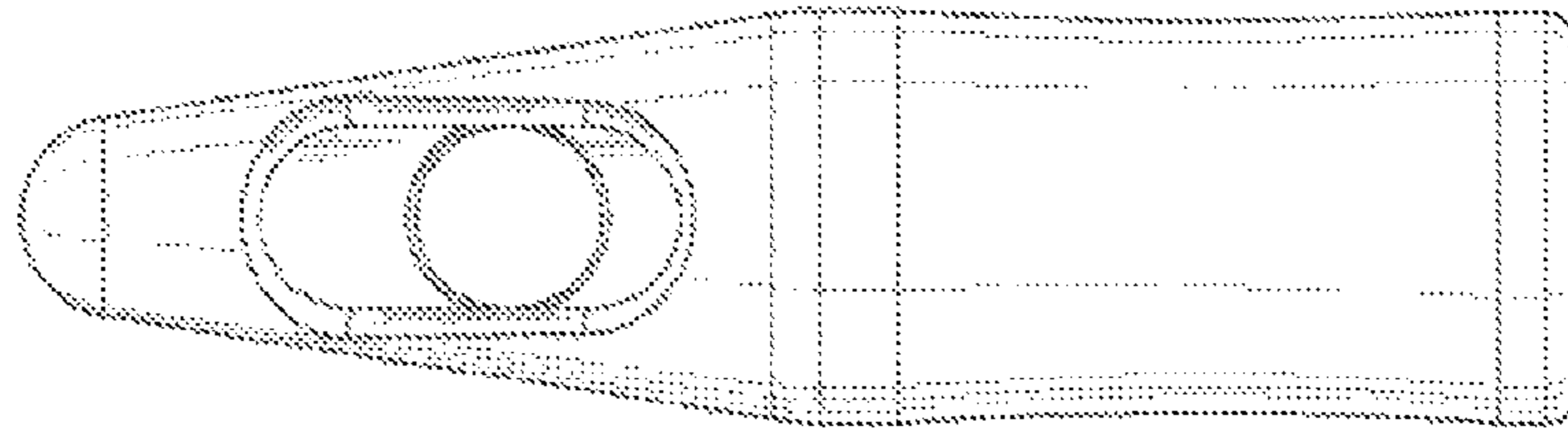


FIG. 4

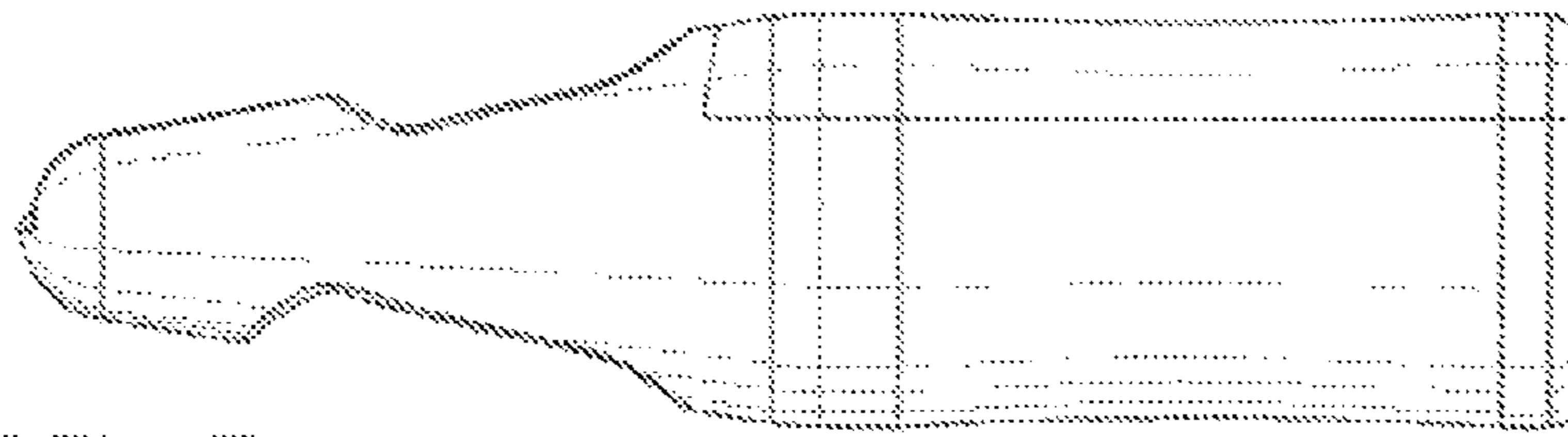


FIG. 5

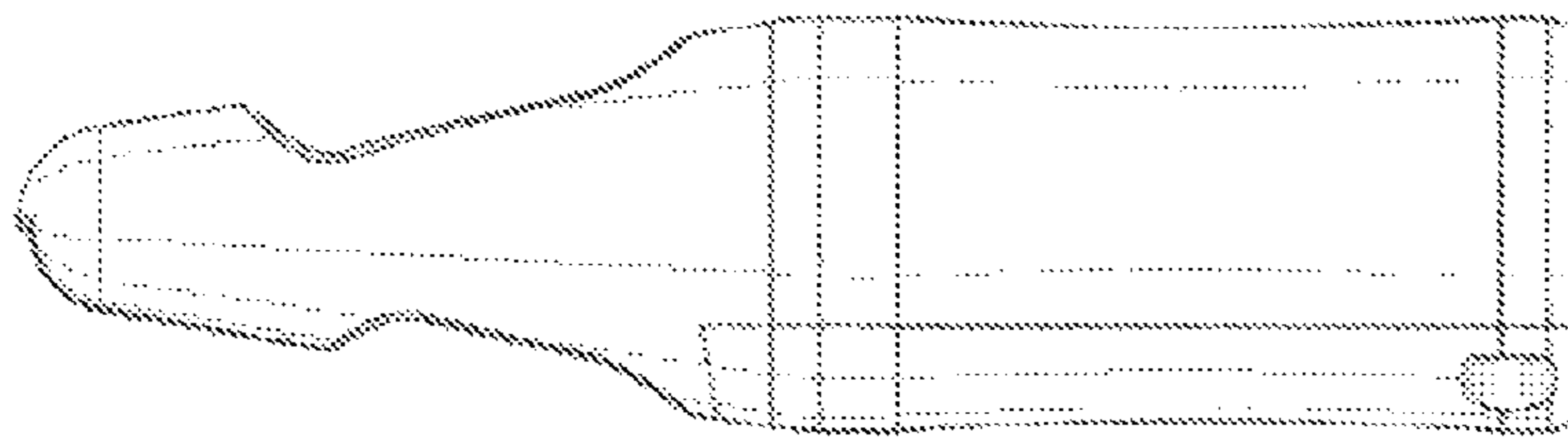
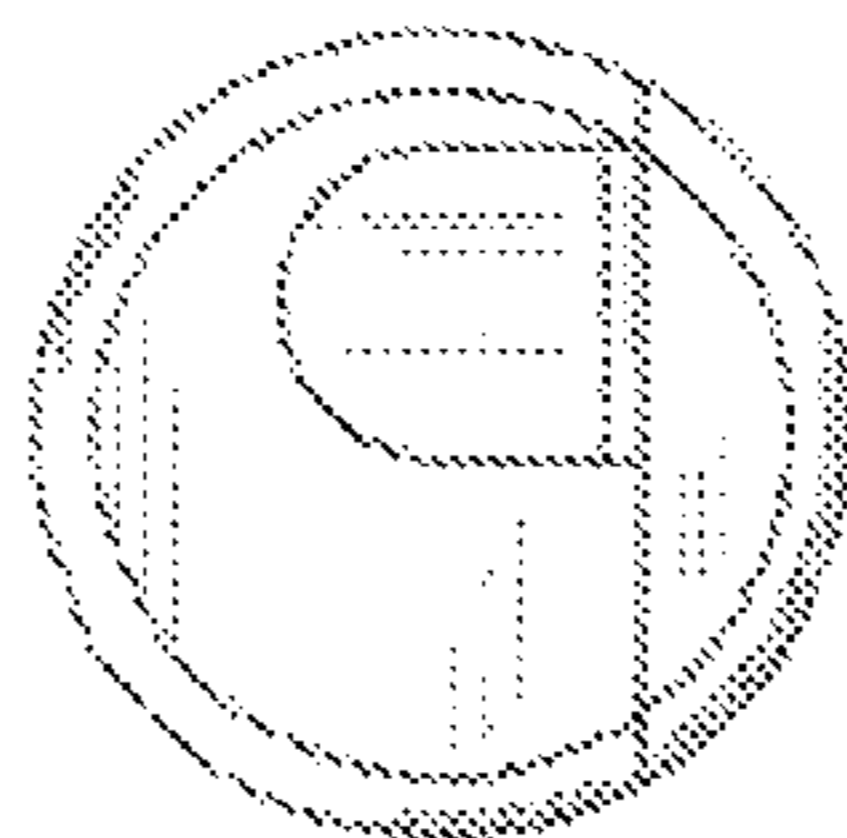


FIG. 6

FIG. 7



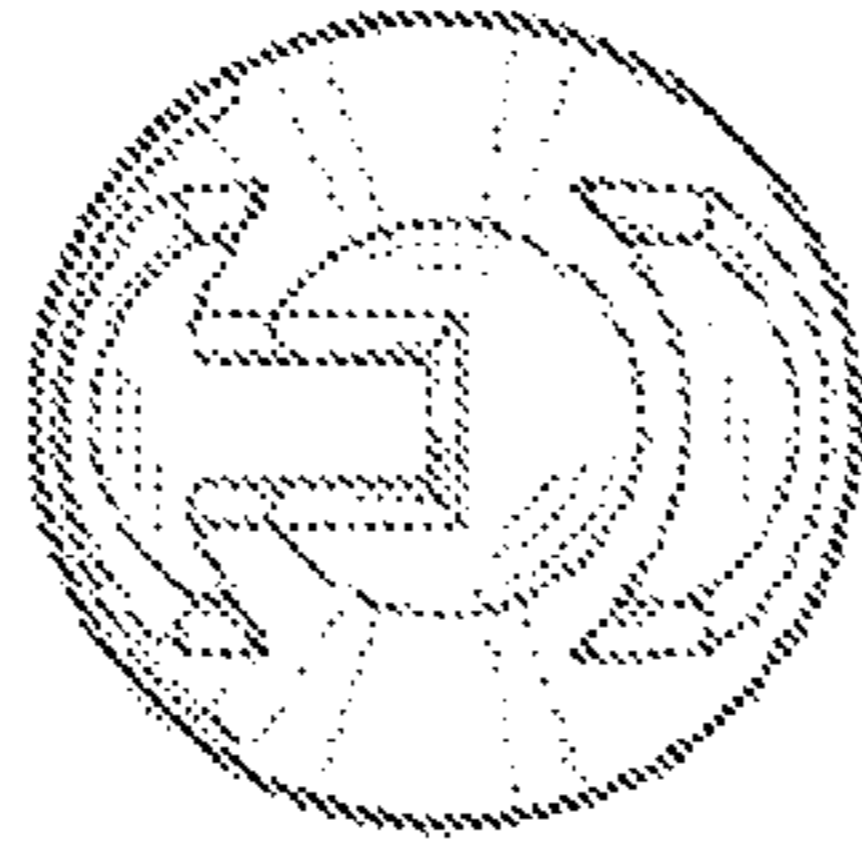


FIG. 8

FIG. 9

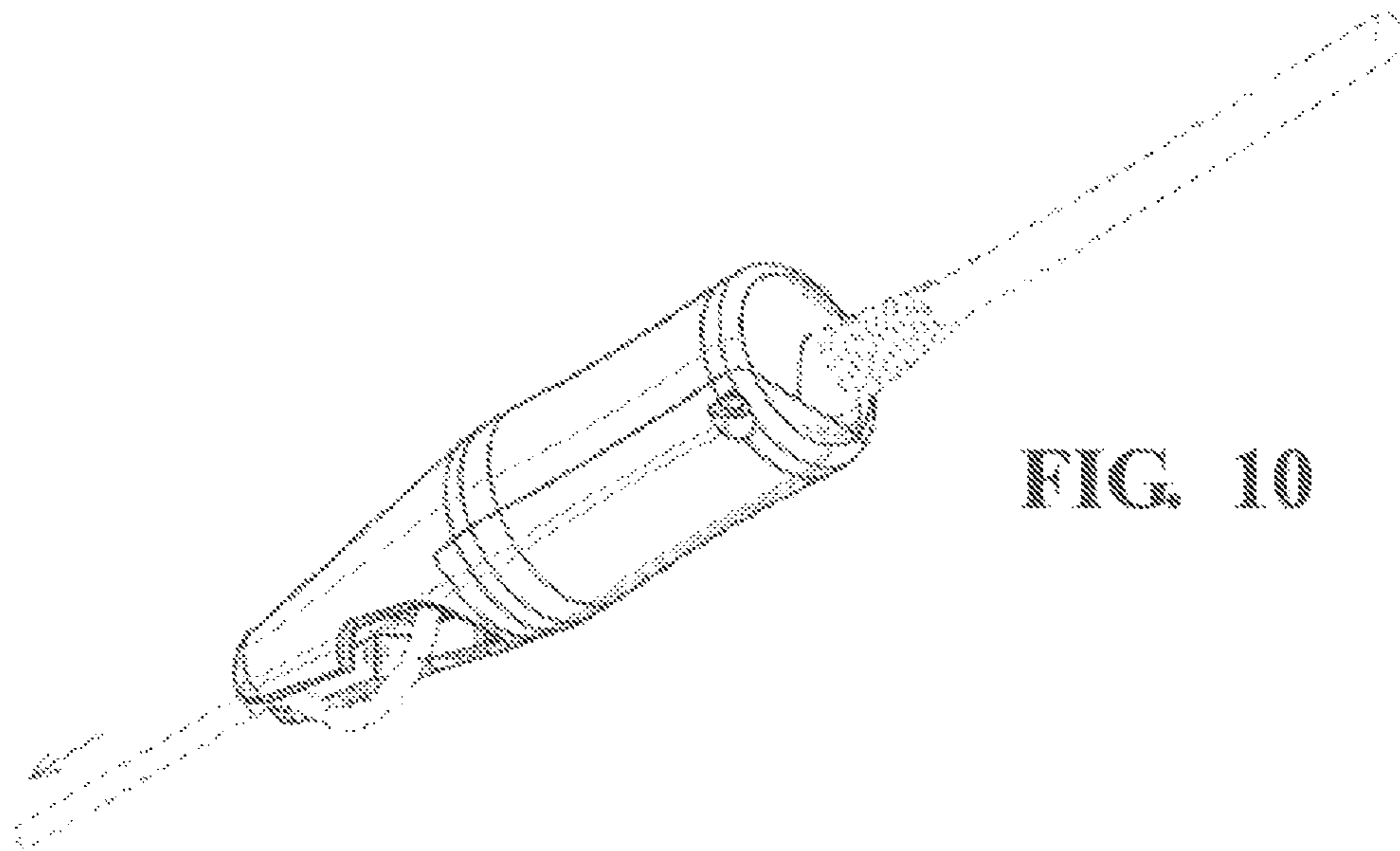
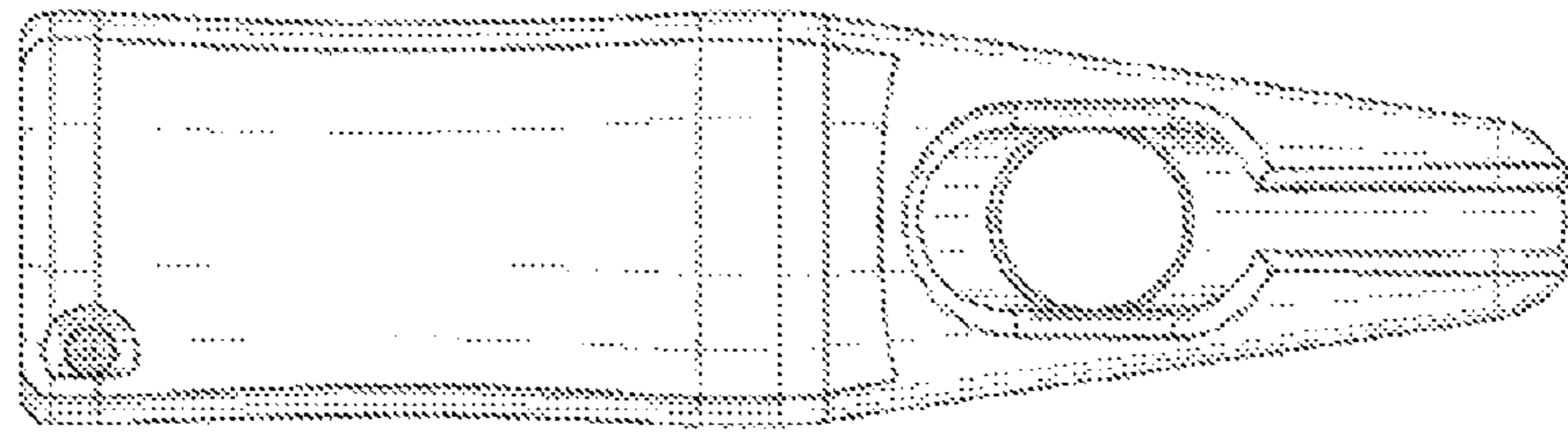
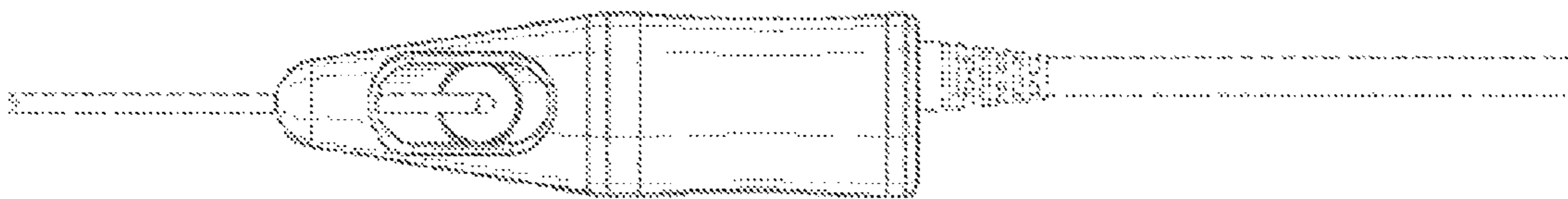


FIG. 10

FIG. 11



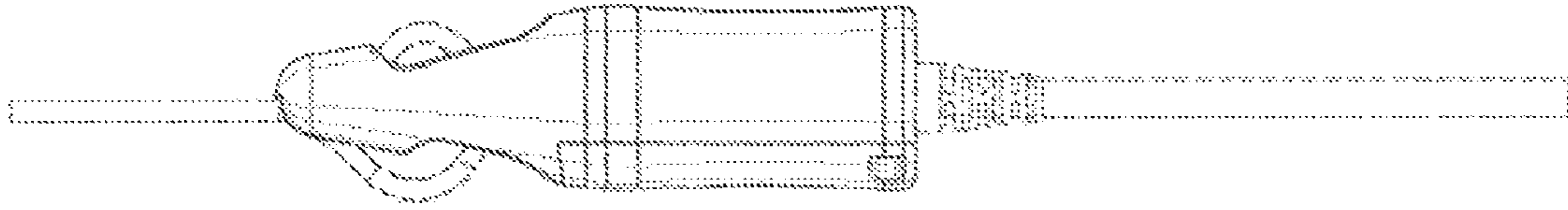


FIG. 12

FIG. 13

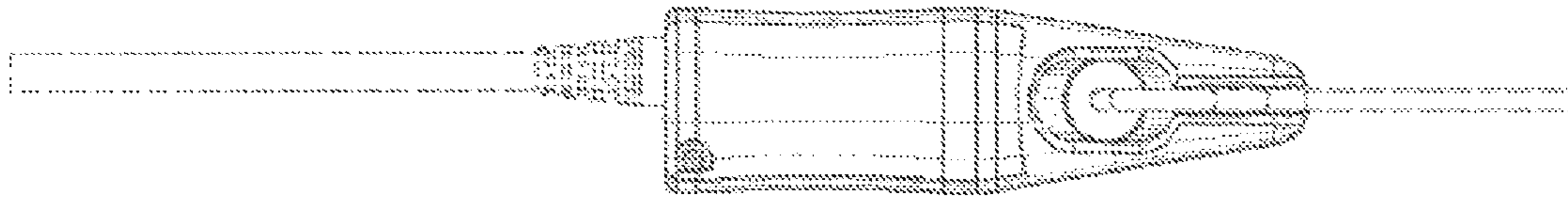


FIG. 14

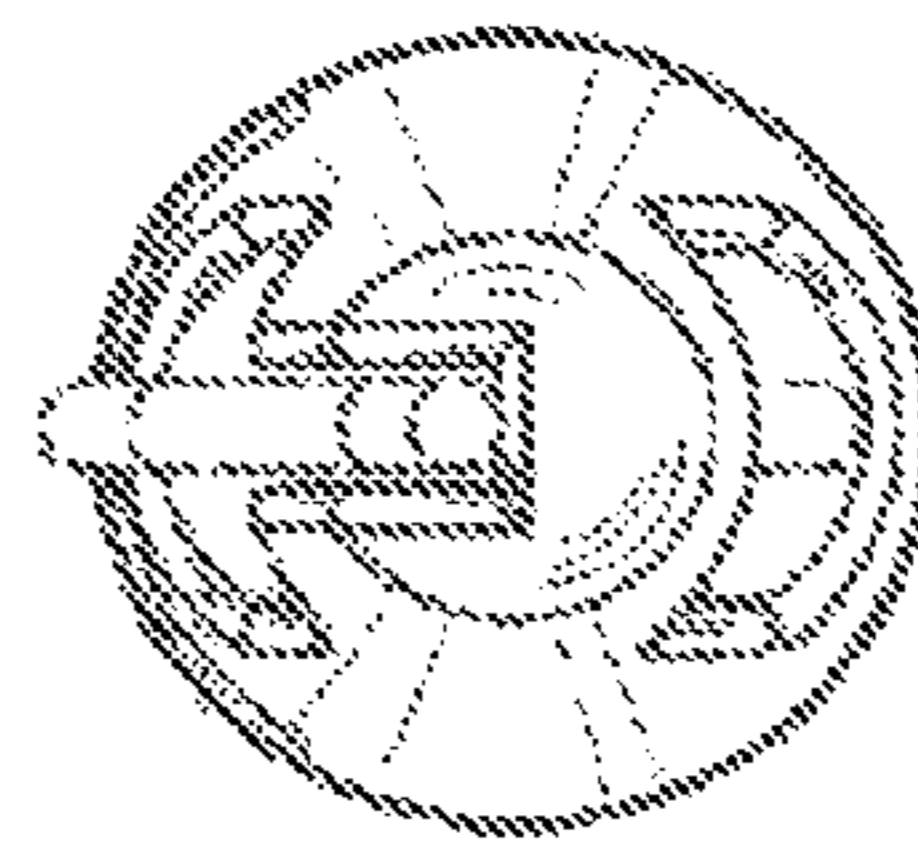
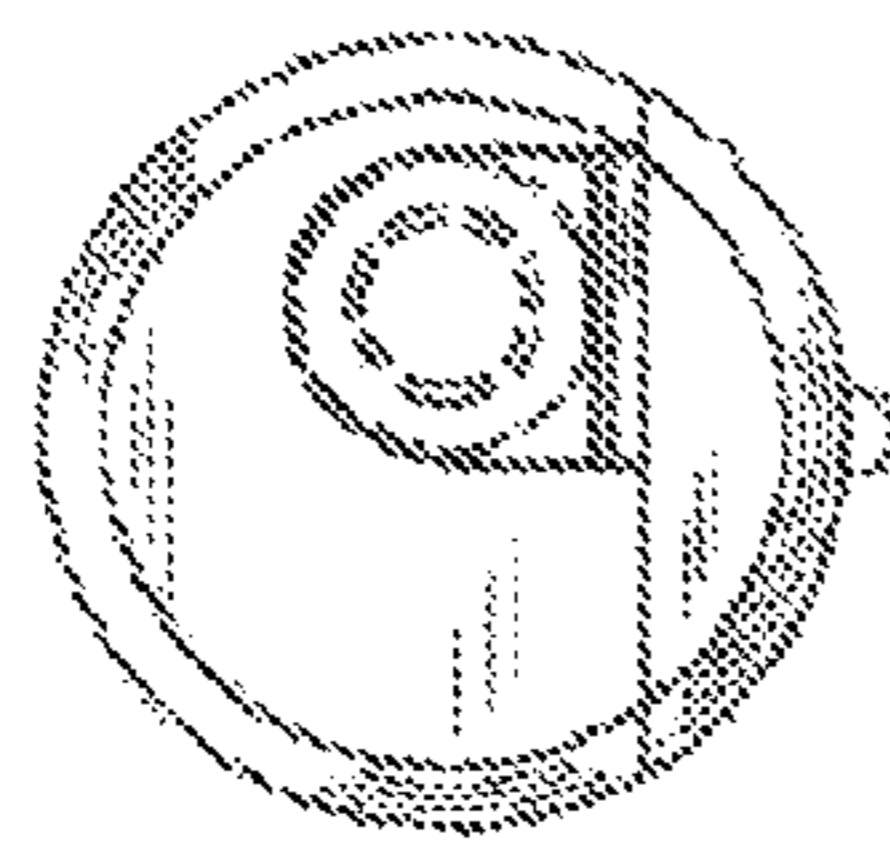


FIG. 15

UNITED STATES PATENT AND TRADEMARK OFFICE
CERTIFICATE OF CORRECTION

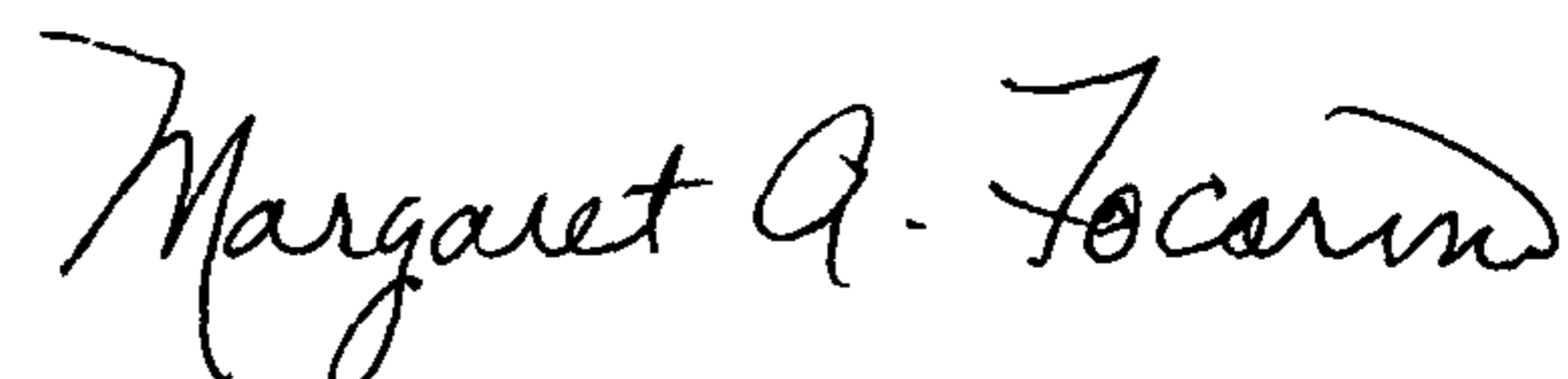
PATENT NO. : D689,025 S
APPLICATION NO. : 29/402633
DATED : September 3, 2013
INVENTOR(S) : Juhyun Yu et al.

Page 1 of 1

It is certified that error appears in the above-identified patent and that said Letters Patent is hereby corrected as shown below:

On the title page insert -- Assignee Hitachi Cable, Ltd. --.

Signed and Sealed this
Twenty-sixth Day of November, 2013



Margaret A. Focarino
Commissioner for Patents of the United States Patent and Trademark Office