



US00D689024S

(12) **United States Design Patent**
Takata et al.

(10) **Patent No.:** **US D689,024 S**
(45) **Date of Patent:** **** *Sep. 3, 2013**

(54) **PORTABLE POWER DISTRIBUTION BOX**

(75) Inventors: **Steven Matthew Takata**, Minneapolis, MN (US); **James Jerome Koberg**, Morristown, MN (US); **Brian Allen Amacher**, Faribault, MN (US); **Jason Robert DeMars**, Faribault, MN (US); **Christopher Alan Dahl**, Prior Lake, MN (US)

(73) Assignee: **Trystar, Inc.**, Faribault, MN (US)

(*) Notice: This patent is subject to a terminal disclaimer.

(**) Term: **14 Years**

(21) Appl. No.: **29/408,304**

(22) Filed: **Dec. 9, 2011**

(51) **LOC (9) Cl.** **13-03**

(52) **U.S. Cl.**
USPC **D13/152**

(58) **Field of Classification Search**
USPC D13/107, 109, 110, 112, 114, 130, D13/132, 137, 137.1, 137.2, 137.3, 137.4, D13/138.1, 139.4, 139.5, 139.7, 139.8, 146, D13/147, 152, 160, 161, 164, 169, 199
See application file for complete search history.

(56) **References Cited**

U.S. PATENT DOCUMENTS

936,451 A	10/1909	Havebthilii	
2,956,705 A	10/1960	Clingman	
3,380,768 A	4/1968	Wolfensberger	
3,751,127 A	8/1973	Black et al.	
3,901,571 A *	8/1975	Begitschke et al. 312/265.4
4,115,655 A	9/1978	Prentice	

4,123,129 A	10/1978	Butler	
4,126,364 A	11/1978	Reilly	
4,322,572 A	3/1982	Snyder	
4,637,324 A	1/1987	Janson	
4,768,845 A	9/1988	Yeh	
4,846,078 A	7/1989	Janson	
4,884,715 A	12/1989	Pohlmann	
5,070,429 A *	12/1991	Skirpan 361/644
D323,809 S *	2/1992	Ross, Jr. D13/103
D340,040 S *	10/1993	Gifford et al. D14/365
5,470,139 A	11/1995	Hsiao	
D498,211 S *	11/2004	Thibault D13/155
D503,377 S *	3/2005	Krieger et al. D13/107
D542,284 S *	5/2007	Kim D14/240
7,848,085 B2 *	12/2010	Gerber 361/625
7,922,417 B2	4/2011	Jimenez	
2011/0163648 A1	7/2011	Jimenez	

* cited by examiner

Primary Examiner — Robert M Spear

Assistant Examiner — Rhea Shields

(74) *Attorney, Agent, or Firm* — Fredrikson & Byron, P.A.

(57) **CLAIM**

We claim the ornamental design for the portable power distribution box, as shown and described.

DESCRIPTION

FIG. 1 is a perspective view of the portable power distribution box of our new design;
FIG. 2 is a front view thereof;
FIG. 3 is a rear view thereof;
FIG. 4 is a top view thereof, with the bottom view being identical; and,
FIG. 5 is a right side view thereof, with the left side view being identical.
The broken lines in the drawings represent unclaimed environmental matter.

1 Claim, 5 Drawing Sheets

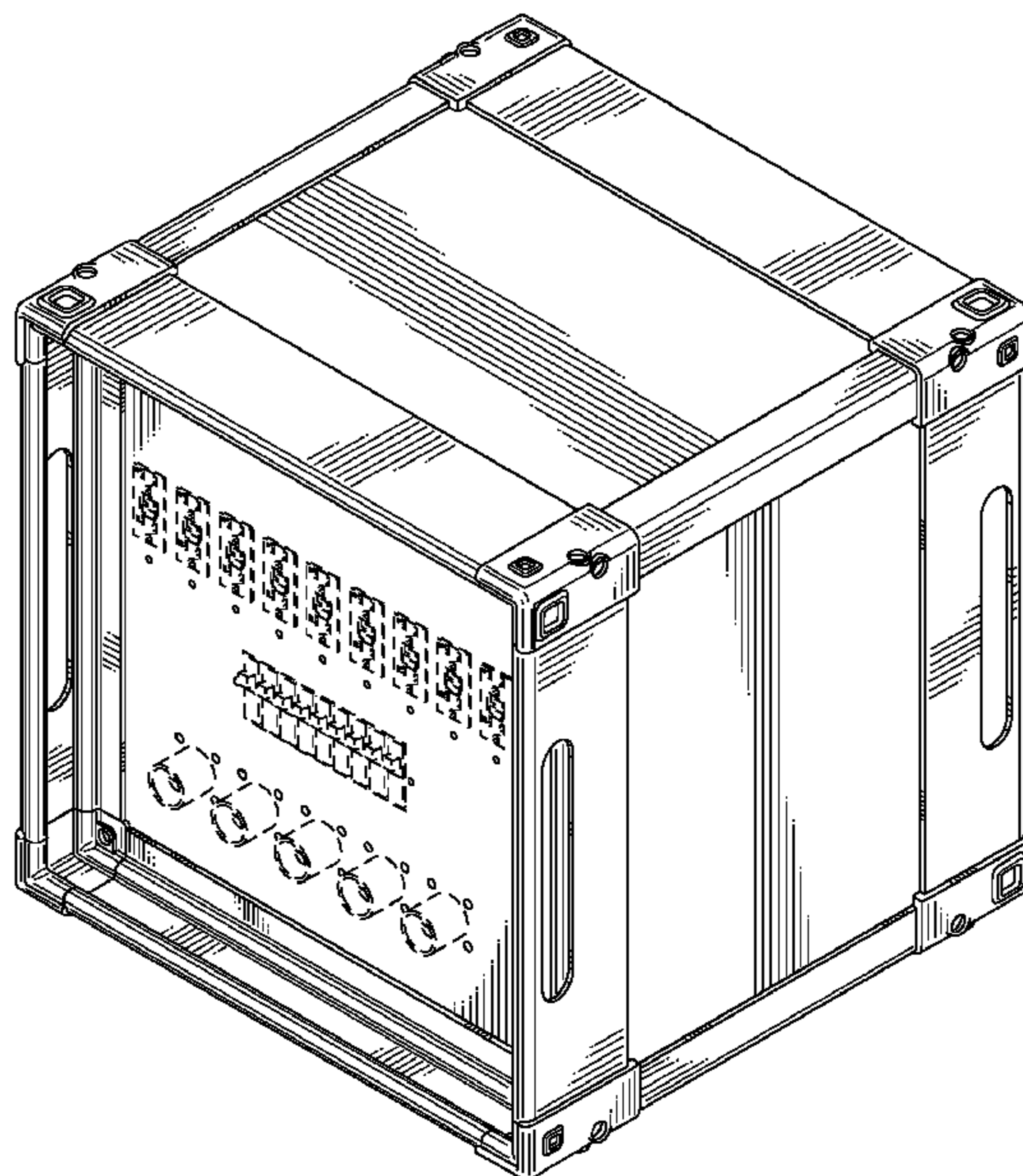


Fig. 1

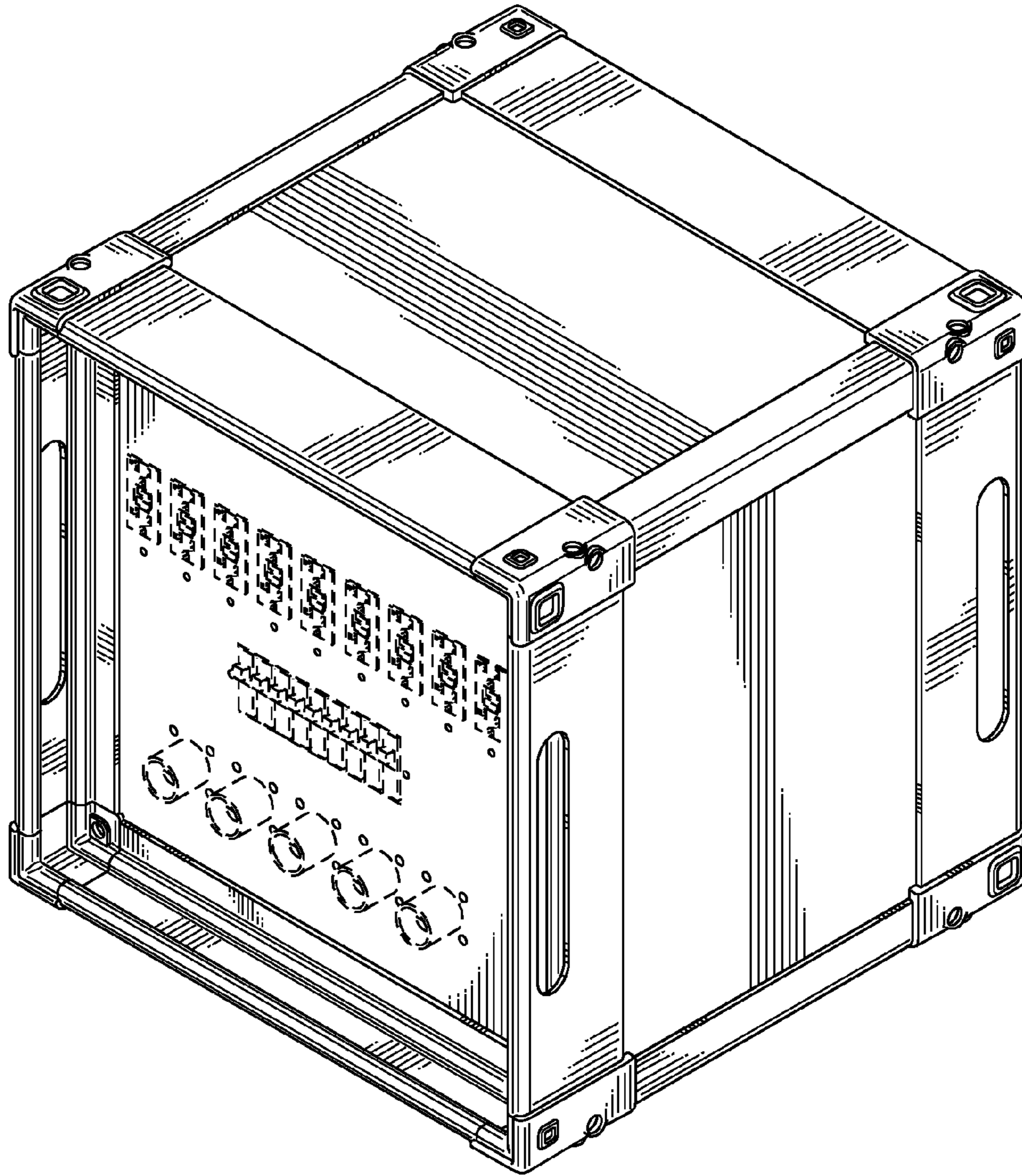


Fig. 2

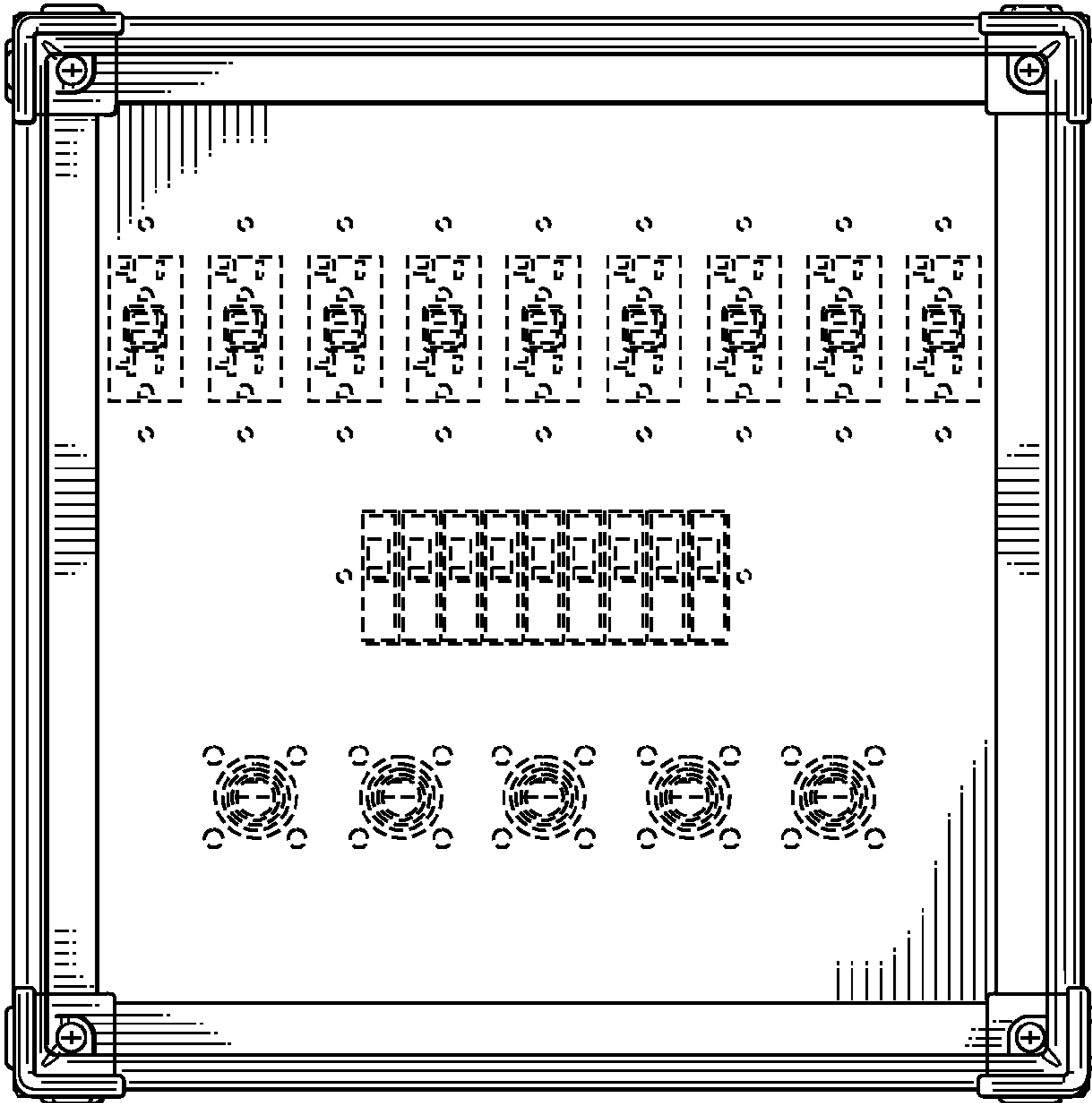


Fig. 3

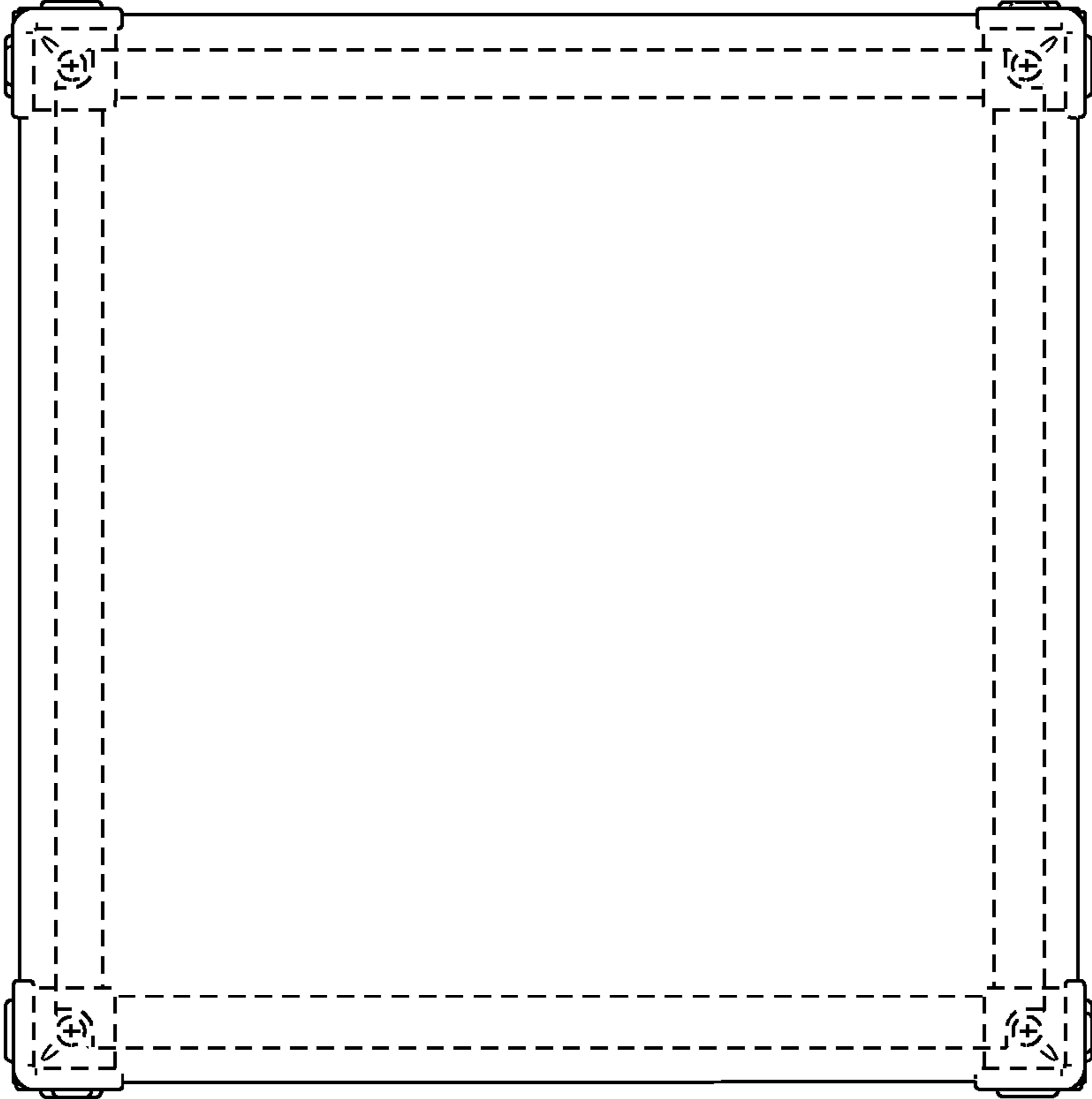


Fig. 4

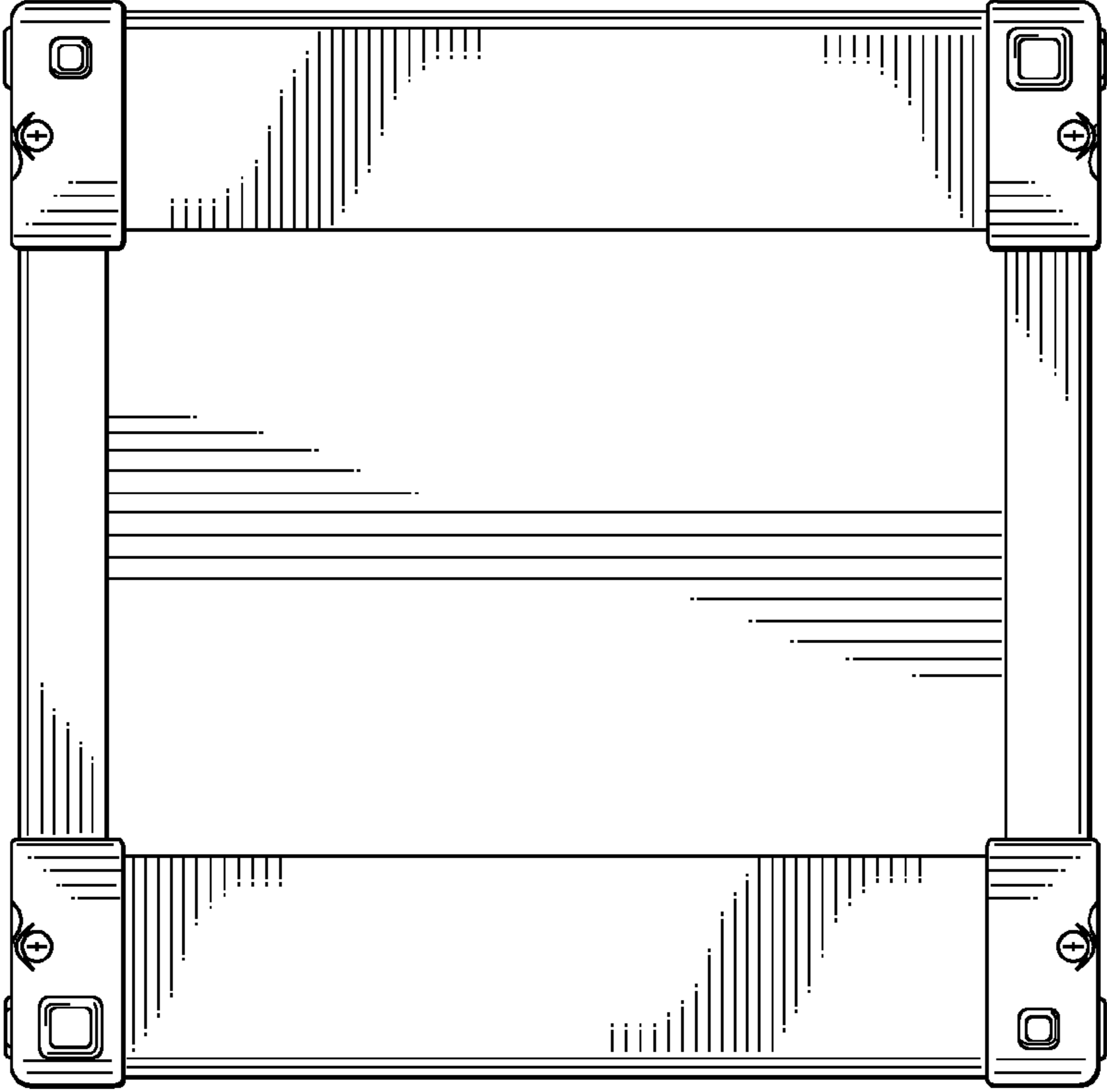


Fig. 5

