



US00D689023S

(12) **United States Design Patent**
Naito

(10) **Patent No.:** **US D689,023 S**
(45) **Date of Patent:** **** Sep. 3, 2013**

(54) **ELECTRICAL CONNECTOR**

(75) Inventor: **Takeharu Naito**, Tokyo (JP)

(73) Assignee: **Japan Aviation Electronics Industry, Limited**, Tokyo (JP)

(**) Term: **14 Years**

(21) Appl. No.: **29/411,147**

(22) Filed: **Jan. 17, 2012**

(30) **Foreign Application Priority Data**

Jul. 28, 2011 (JP) 2011-017364

(51) **LOC (9) Cl.** **13-03**

(52) **U.S. Cl.**
USPC **D13/147**

(58) **Field of Classification Search**

USPC D13/147, 154, 184, 199; 439/79,
439/108, 350, 353, 357, 378, 476.1, 489,
439/587, 594, 595, 598, 607.01, 607.04,
439/607.05, 607.17, 607.25, 607.34, 607.41,
439/607.53, 656, 660, 668, 680, 711, 745,
439/752

See application file for complete search history.

(56) **References Cited**

U.S. PATENT DOCUMENTS

D468,268 S * 1/2003 Zhong D13/147
D499,379 S * 12/2004 Zhu et al. D13/147

D505,920 S * 6/2005 Moritake D13/147
D517,995 S * 3/2006 Nakamura et al. D13/147
D524,752 S * 7/2006 Nakamura et al. D13/147

* cited by examiner

Primary Examiner — Daniel Bui

(74) *Attorney, Agent, or Firm* — Westerman, Hattori,
Daniels & Adrian, LLP

(57) **CLAIM**

The ornamental design for an electrical connector, as shown
and described.

DESCRIPTION

FIG. 1 is a front elevational view of an electrical connector,
showing my new design;

FIG. 2 is a rear elevational view thereof;

FIG. 3 is a right side elevational view thereof;

FIG. 4 is a left side elevational view thereof;

FIG. 5 is a top plan view thereof;

FIG. 6 is a bottom plan view thereof;

FIG. 7 is an enlarged cross-sectional view, taken along line
7-7 of FIG. 1;

FIG. 8 is a right front perspective view showing the top
thereof;

FIG. 9 a left rear perspective view showing the bottom
thereof;

FIG. 10 is a right front perspective view showing the bottom
thereof; and,

FIG. 11 is a left rear perspective view showing the top thereof.

The broken lines illustrate environmental structure and form
no part of the claimed design.

1 Claim, 10 Drawing Sheets

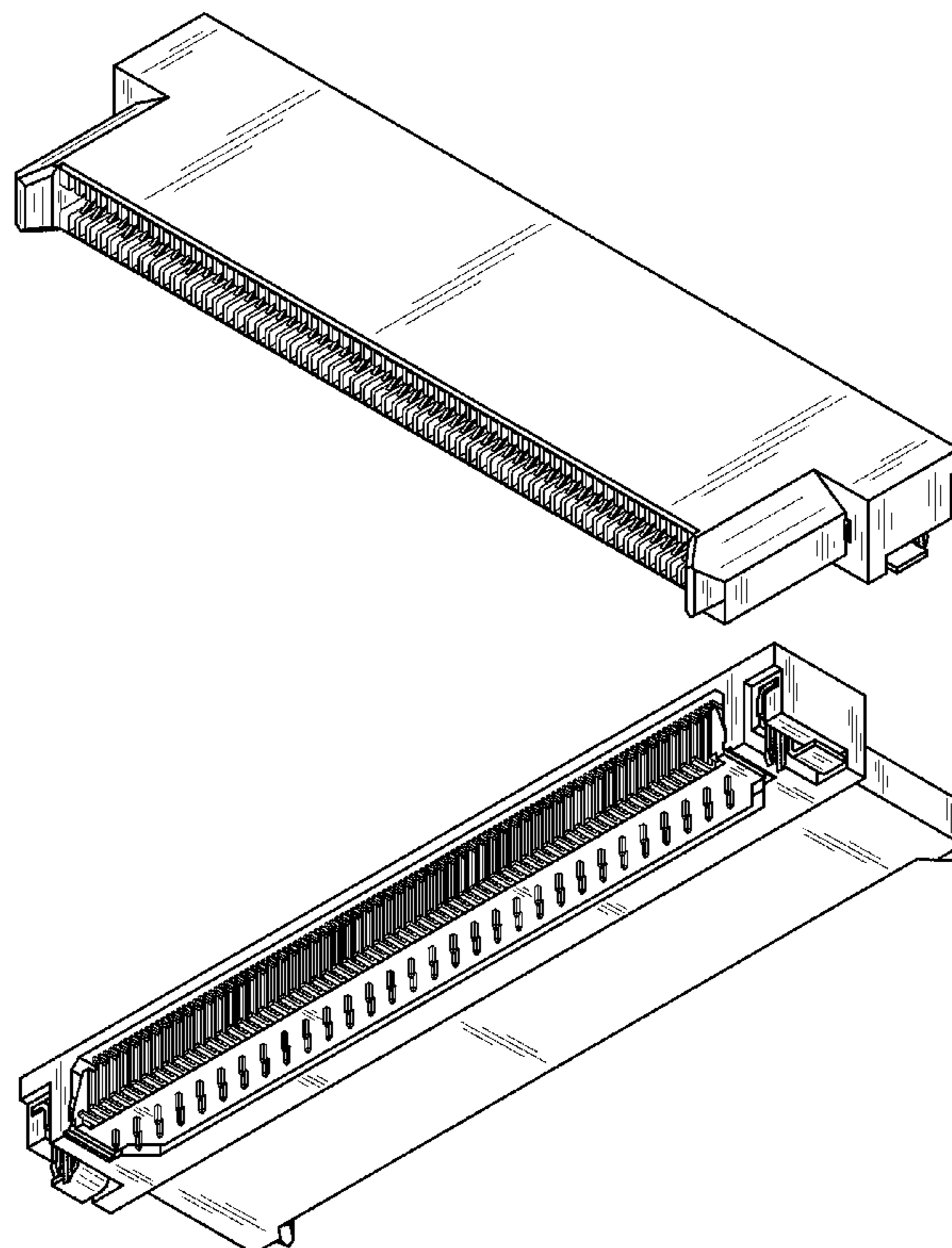


FIG.1

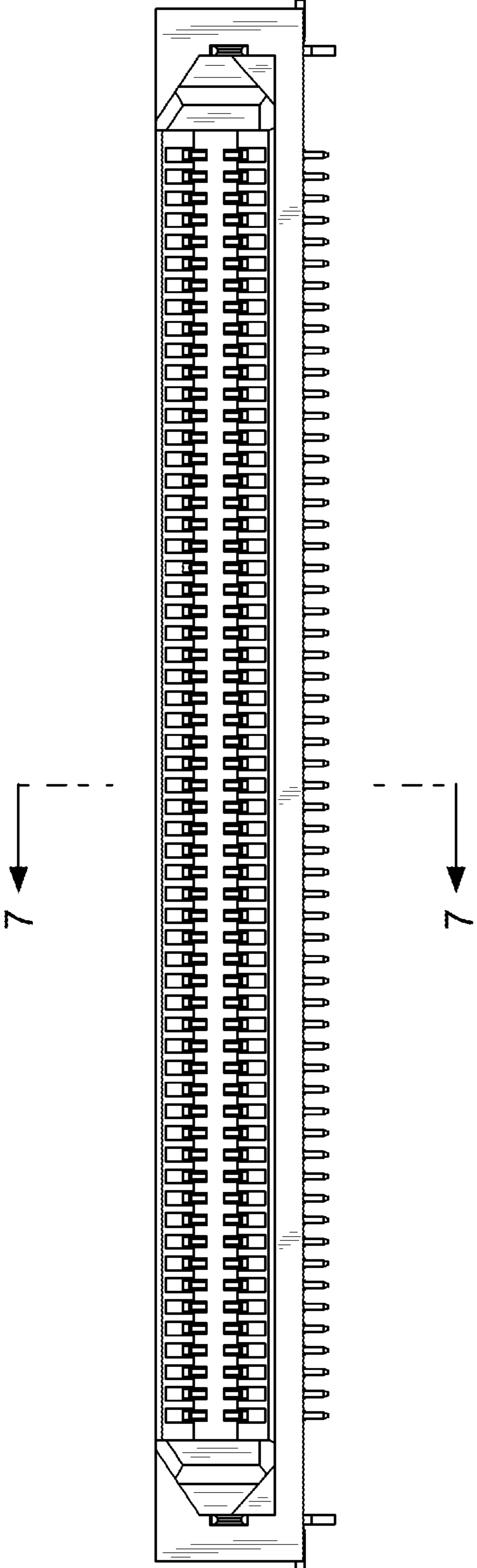


FIG.2

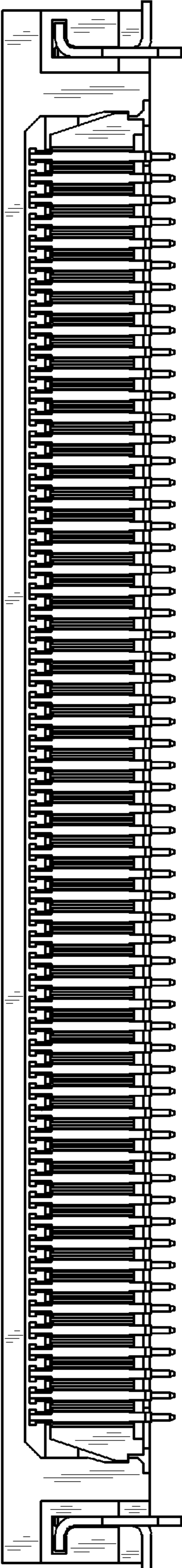


FIG.4

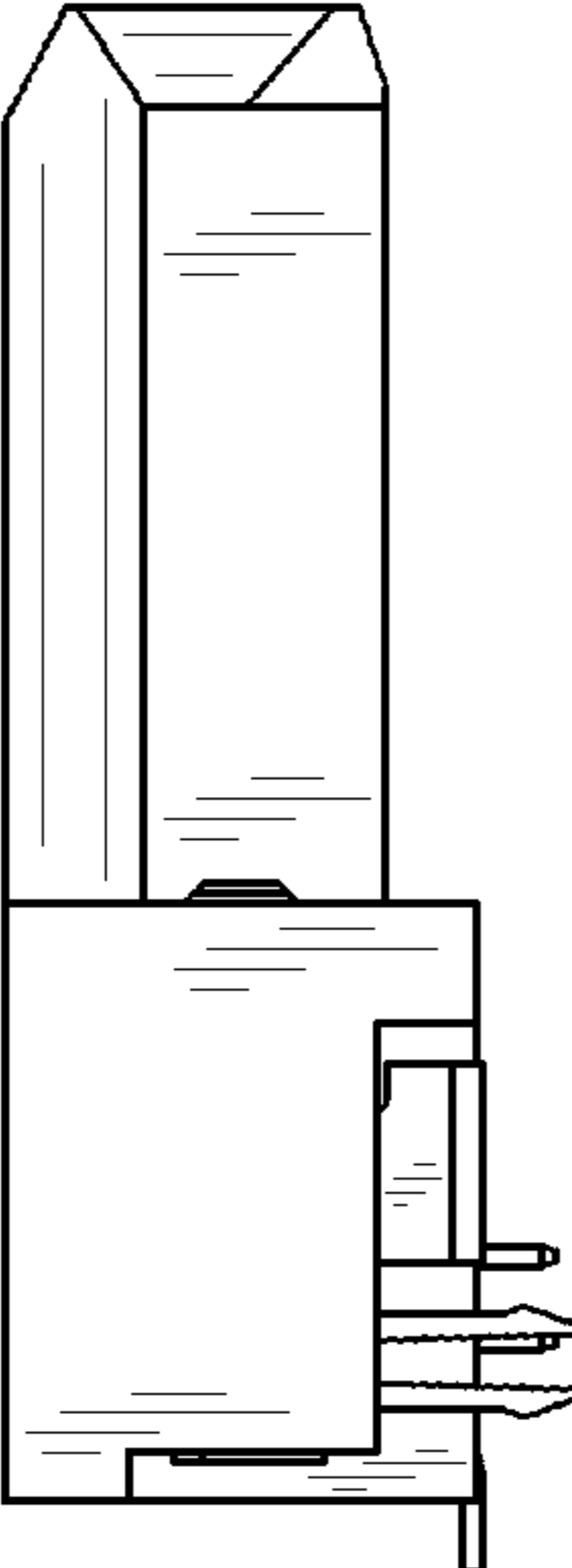


FIG.3

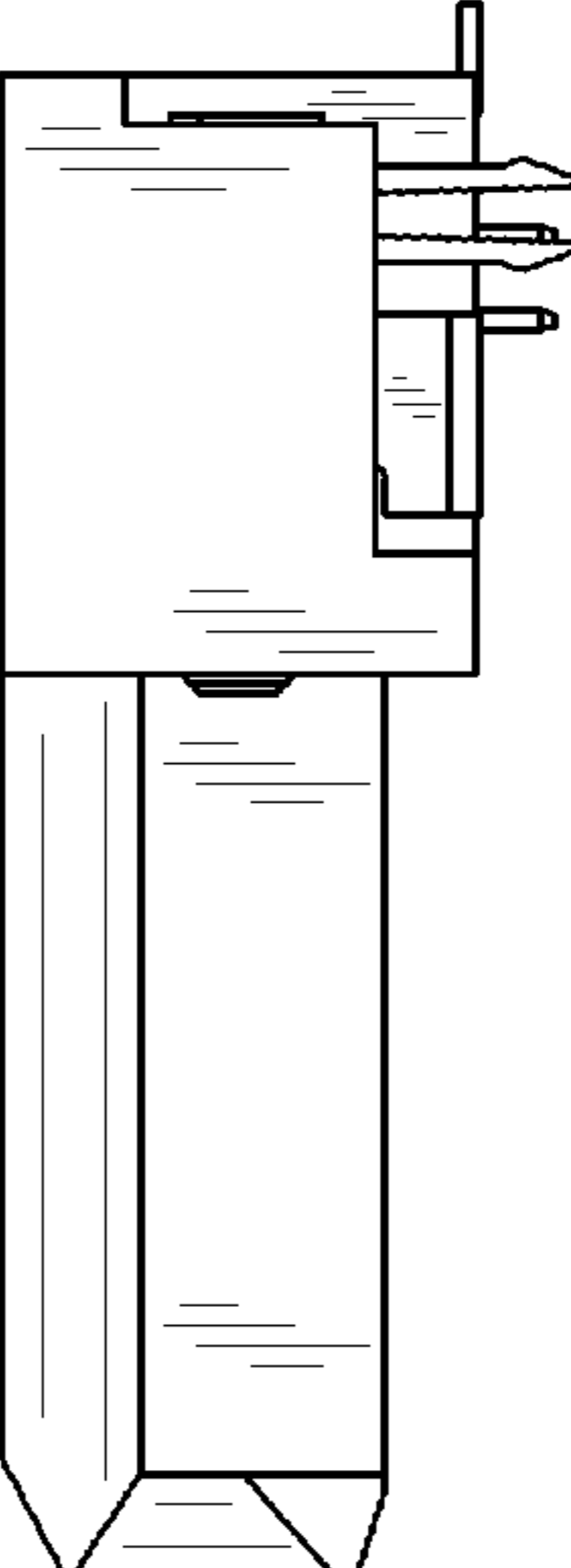


FIG. 5

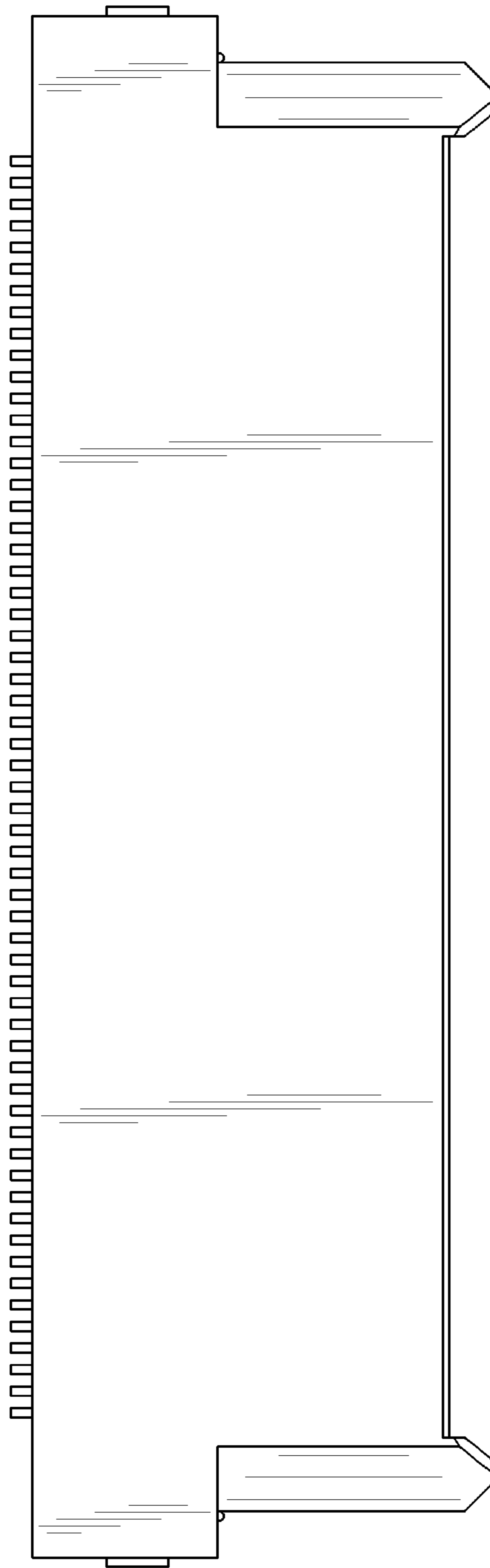


FIG. 6

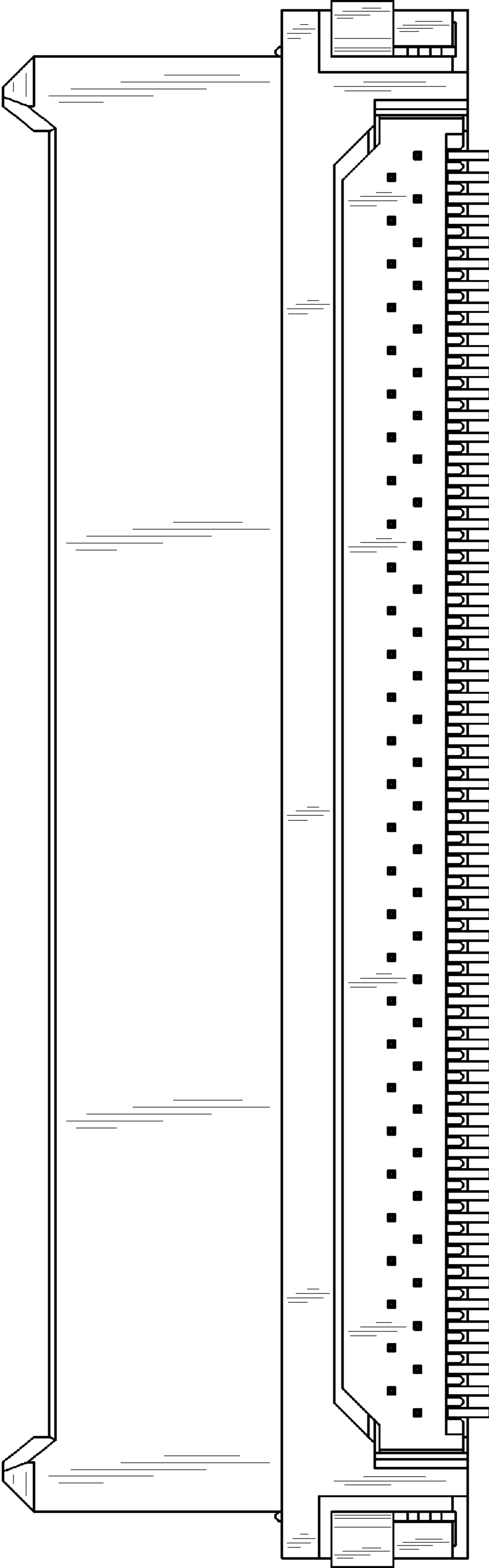


FIG.7

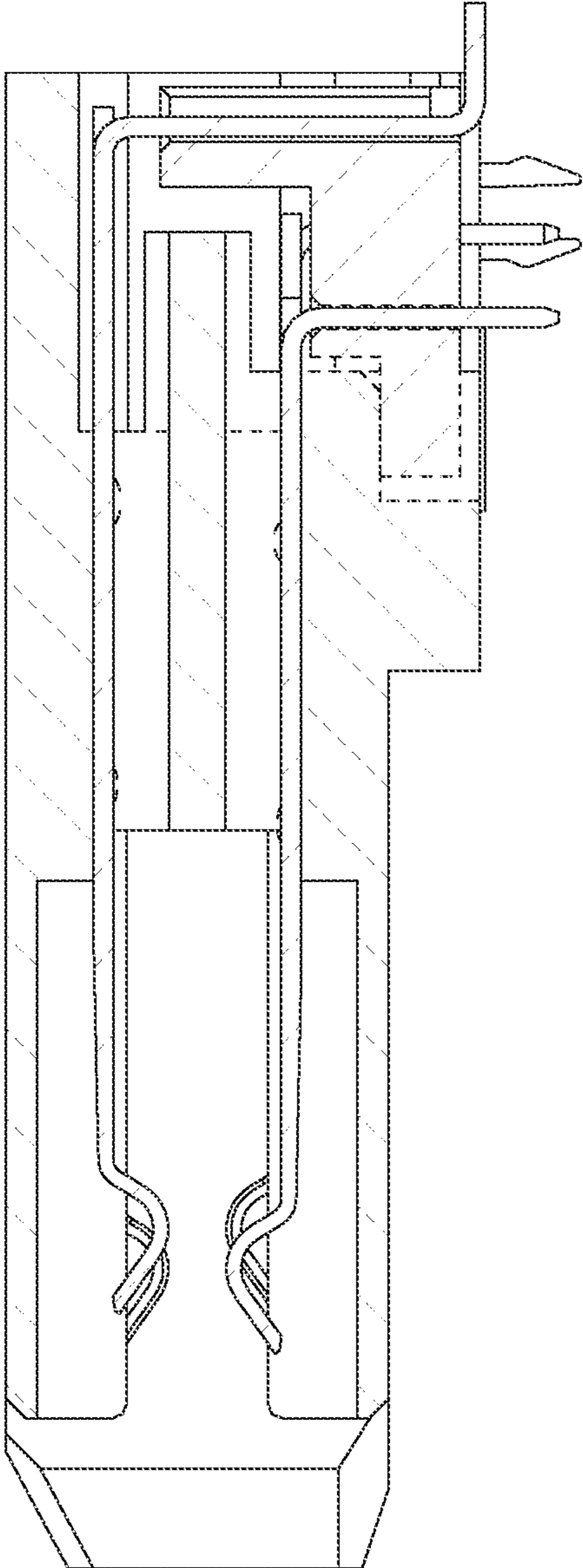
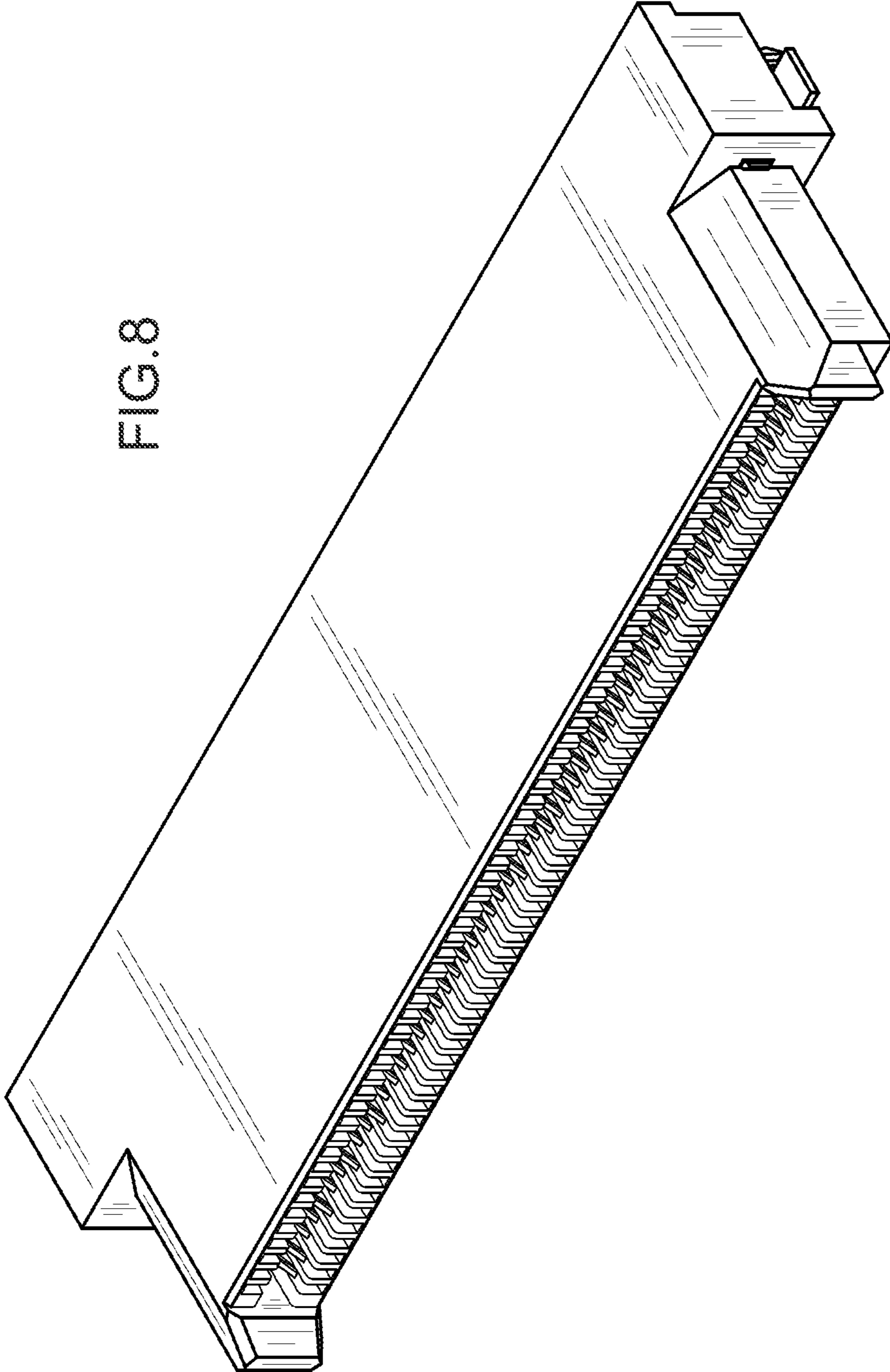


FIG. 8



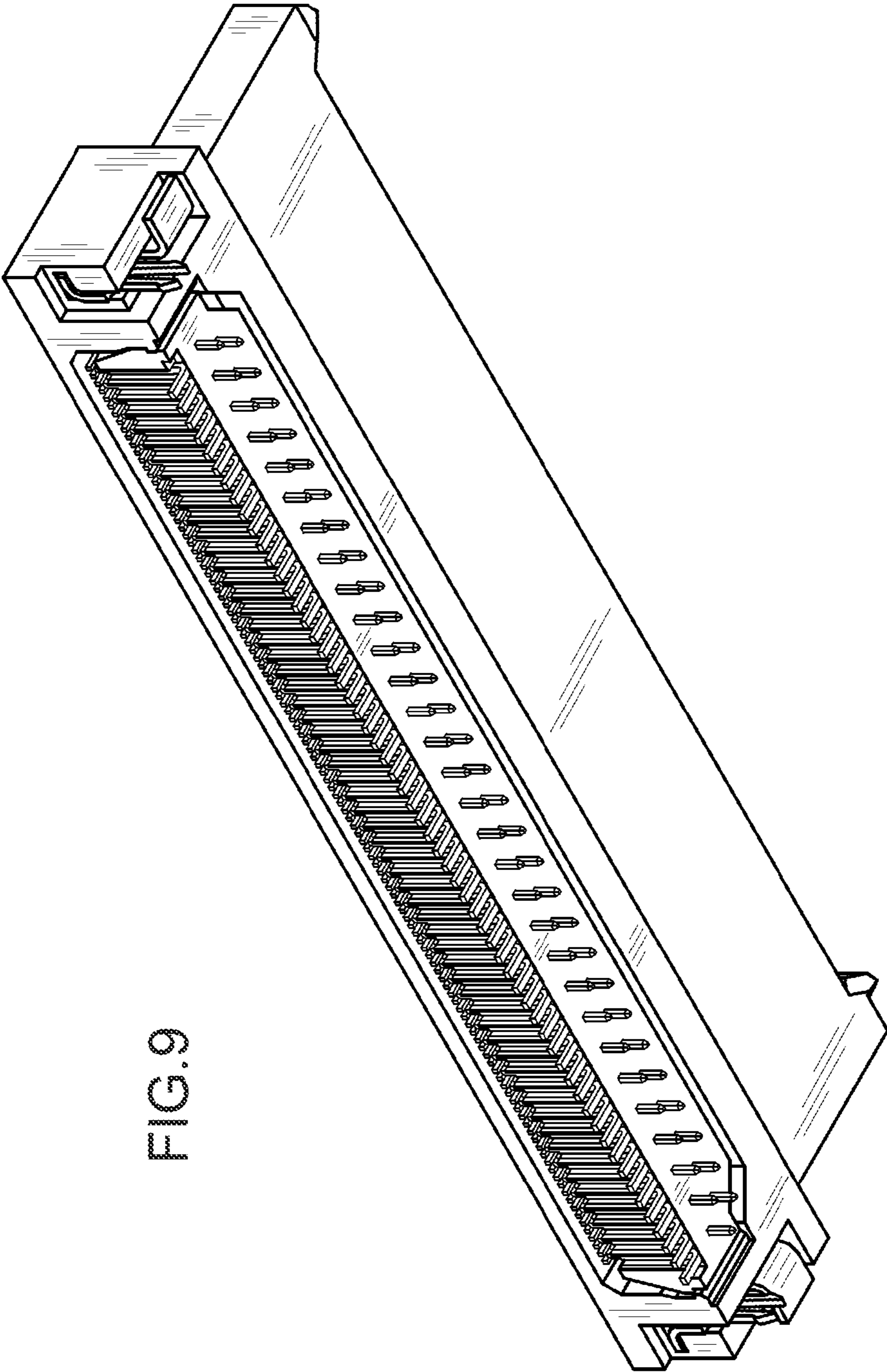


FIG. 9

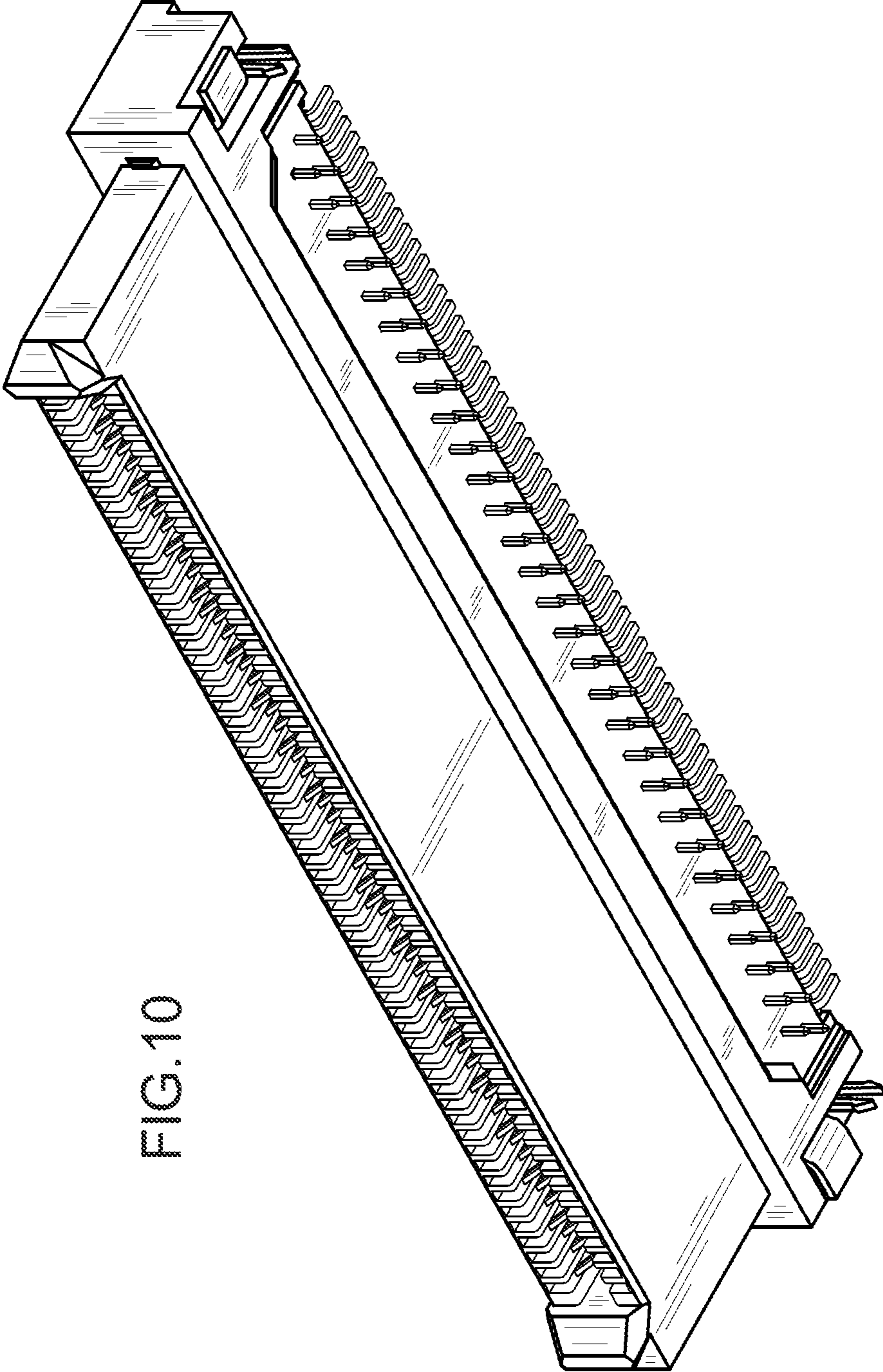


FIG.10

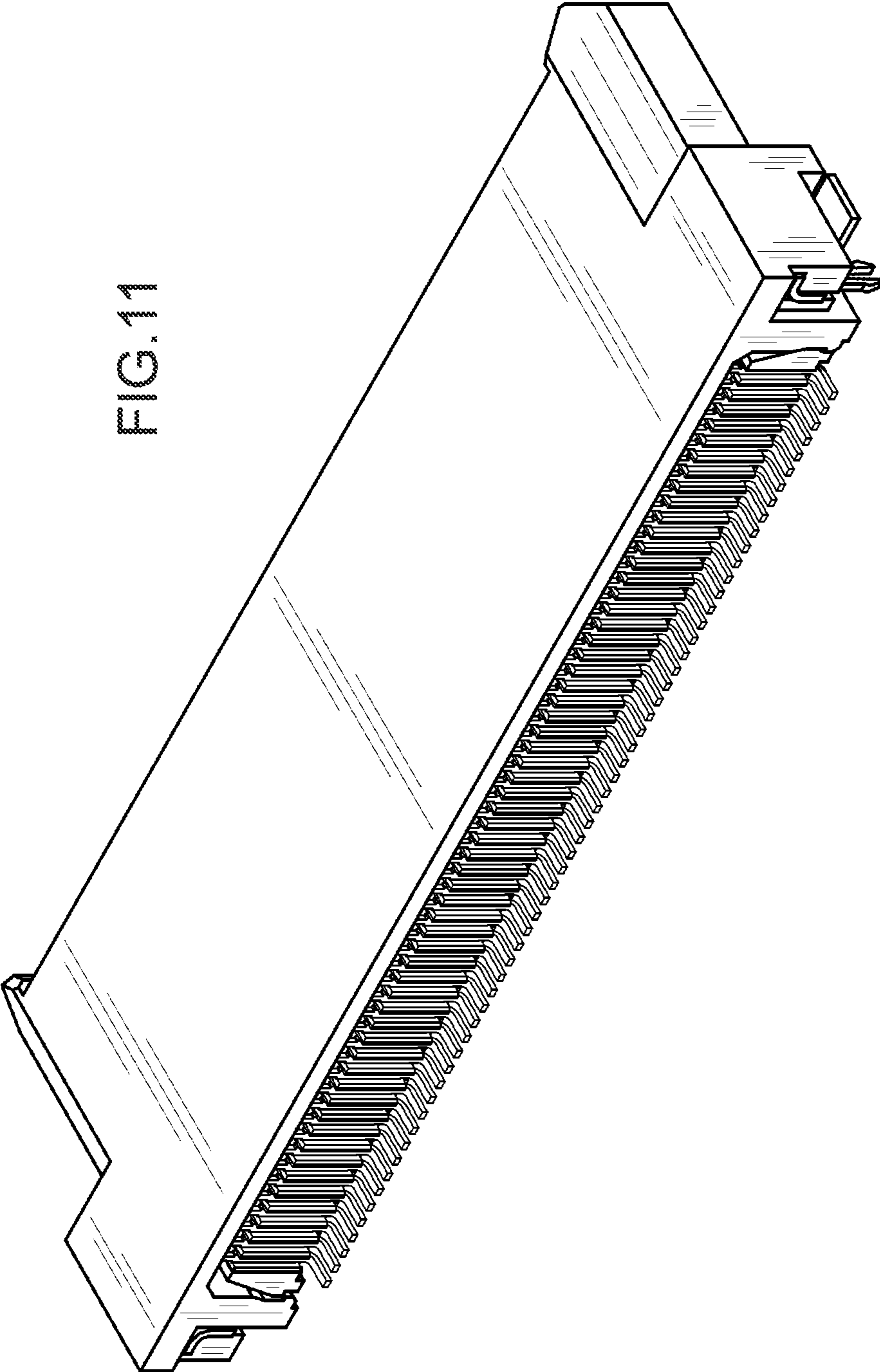


FIG. 11