



US00D689022S

(12) **United States Design Patent**
Shih et al.

(10) **Patent No.:** **US D689,022 S**

(45) **Date of Patent:** **** Sep. 3, 2013**

(54) **PLUG CONNECTOR**

(75) Inventors: **Yi Liang Shih**, Taipei (TW); **Hsueh Yu Chao**, Taipei (TW)

(73) Assignee: **Tyco Electronics Holdings (Bermuda) No. 7 Limited**, Pembroke (BM)

(**) Term: **14 Years**

(21) Appl. No.: **29/394,399**

(22) Filed: **Jun. 16, 2011**

(30) **Foreign Application Priority Data**

Dec. 17, 2010 (TW) 099306527

(51) **LOC (9) Cl.** **13-03**

(52) **U.S. Cl.**
USPC **D13/147**

(58) **Field of Classification Search**
USPC D13/147, 154, 184, 199; 439/79,
439/108, 350, 353, 357, 378, 476.1, 489,
439/587, 594, 595, 598, 607.01, 607.04,
439/607.05, 607.17, 607.25, 607.34, 607.41,
439/607.53, 656, 660, 668, 680, 711, 745,
439/752

See application file for complete search history.

(56) **References Cited**

U.S. PATENT DOCUMENTS

D518,444	S	*	4/2006	Chen et al.	D13/147
D551,171	S	*	9/2007	Lai et al.	D13/147
D578,480	S	*	10/2008	Zhu et al.	D13/147
D578,964	S	*	10/2008	Luo et al.	D13/147
2012/0214347	A1	*	8/2012	Sass et al.	439/630

FOREIGN PATENT DOCUMENTS

JP	D1079038	7/2000
JP	D1163832	1/2003
JP	D1248455	8/2005
JP	D106590	9/2005

* cited by examiner

Primary Examiner — Daniel Bui

(74) *Attorney, Agent, or Firm* — Barley Snyder

(57) **CLAIM**

The ornamental design for a plug connector, as shown and described.

DESCRIPTION

FIG. 1 is a top and front perspective view of a plug connector, showing our new design;
FIG. 2 is a top and rear perspective view thereof;
FIG. 3 is a front elevation view thereof;
FIG. 4 is a rear elevation view thereof;
FIG. 5 is a top plan view thereof;
FIG. 6 is a bottom plan view thereof;
FIG. 7 is a left-side elevation view thereof; and,
FIG. 8 is a right-side elevation view.

1 Claim, 6 Drawing Sheets

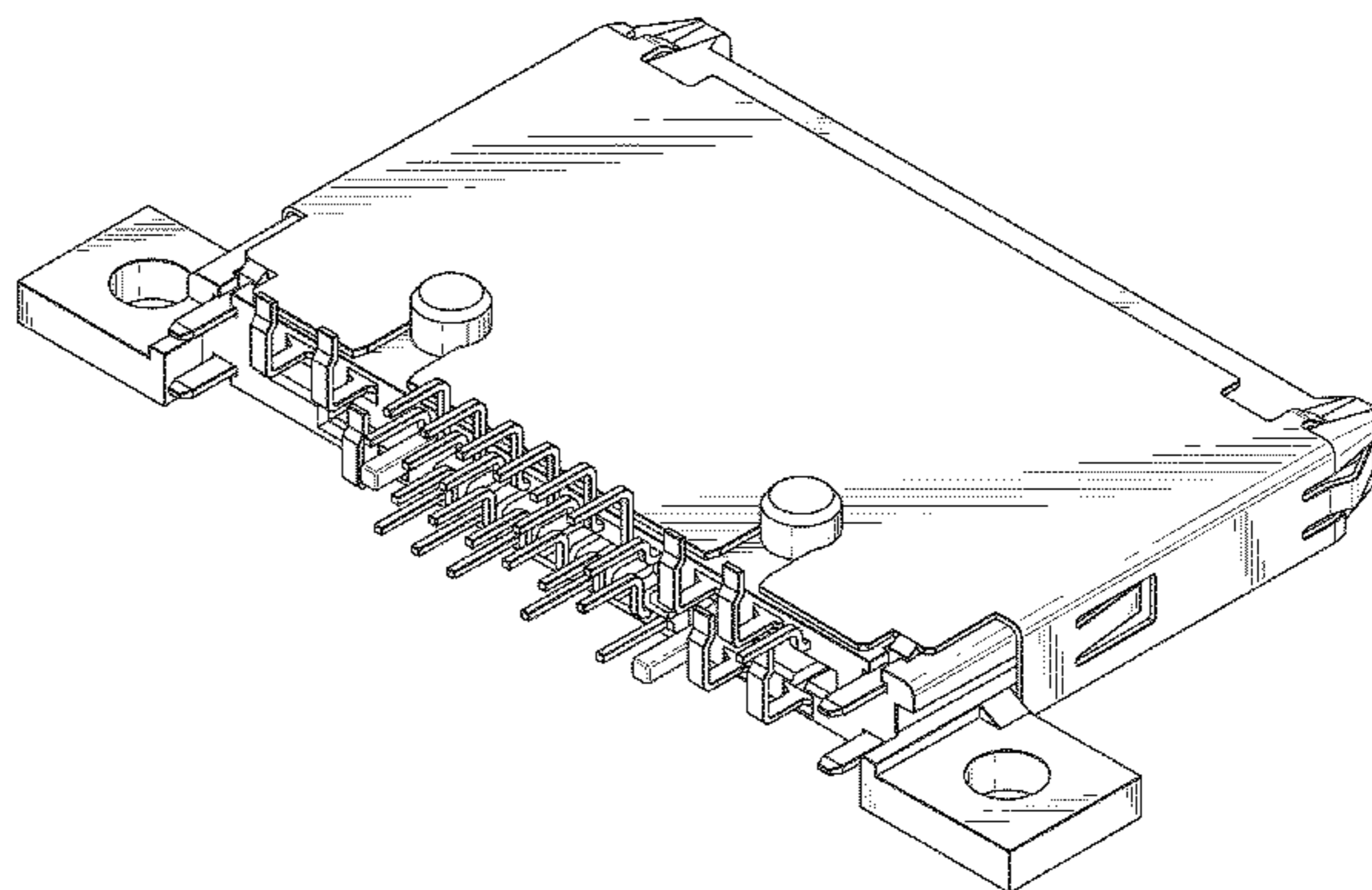
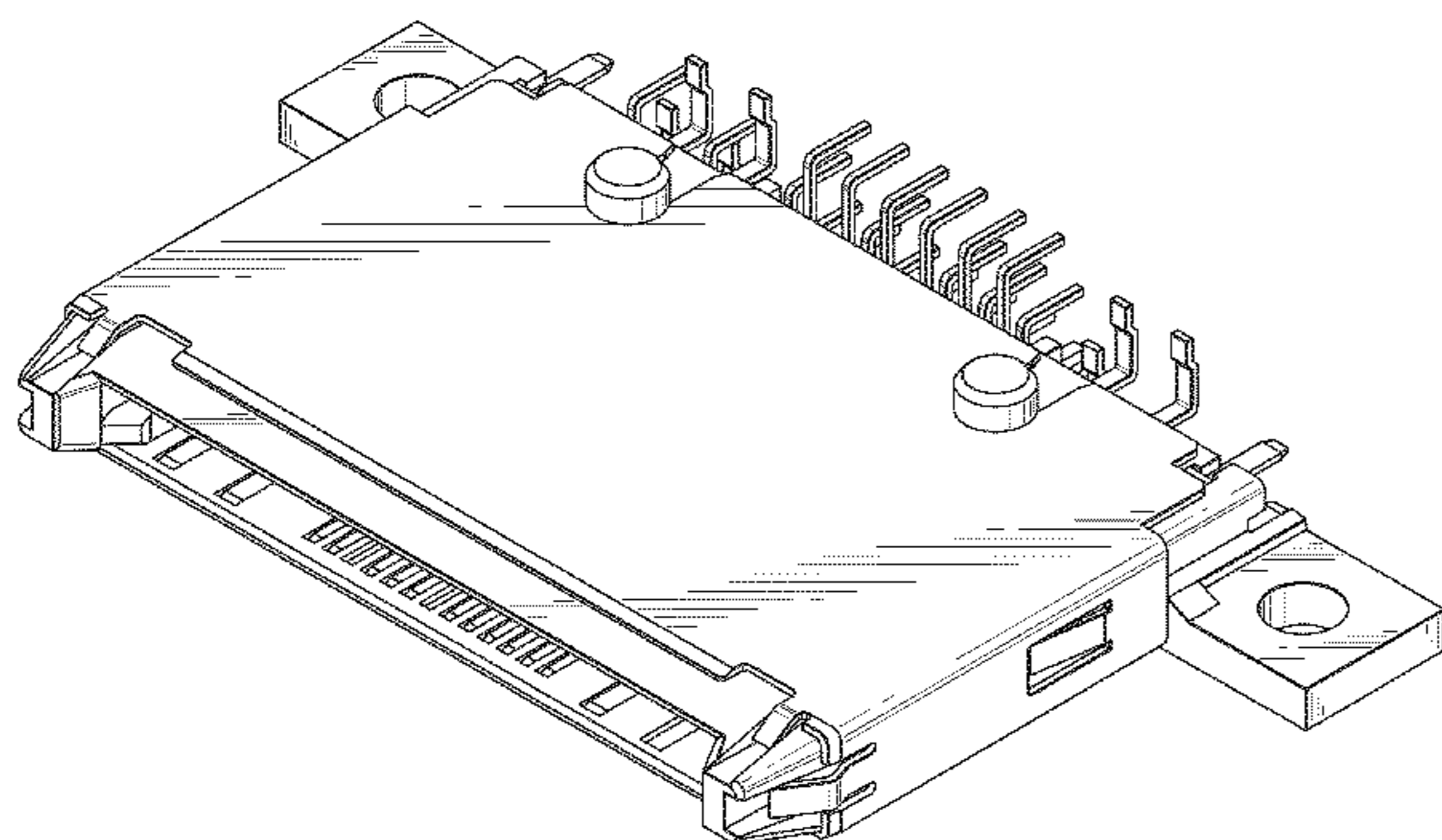


FIG. 1

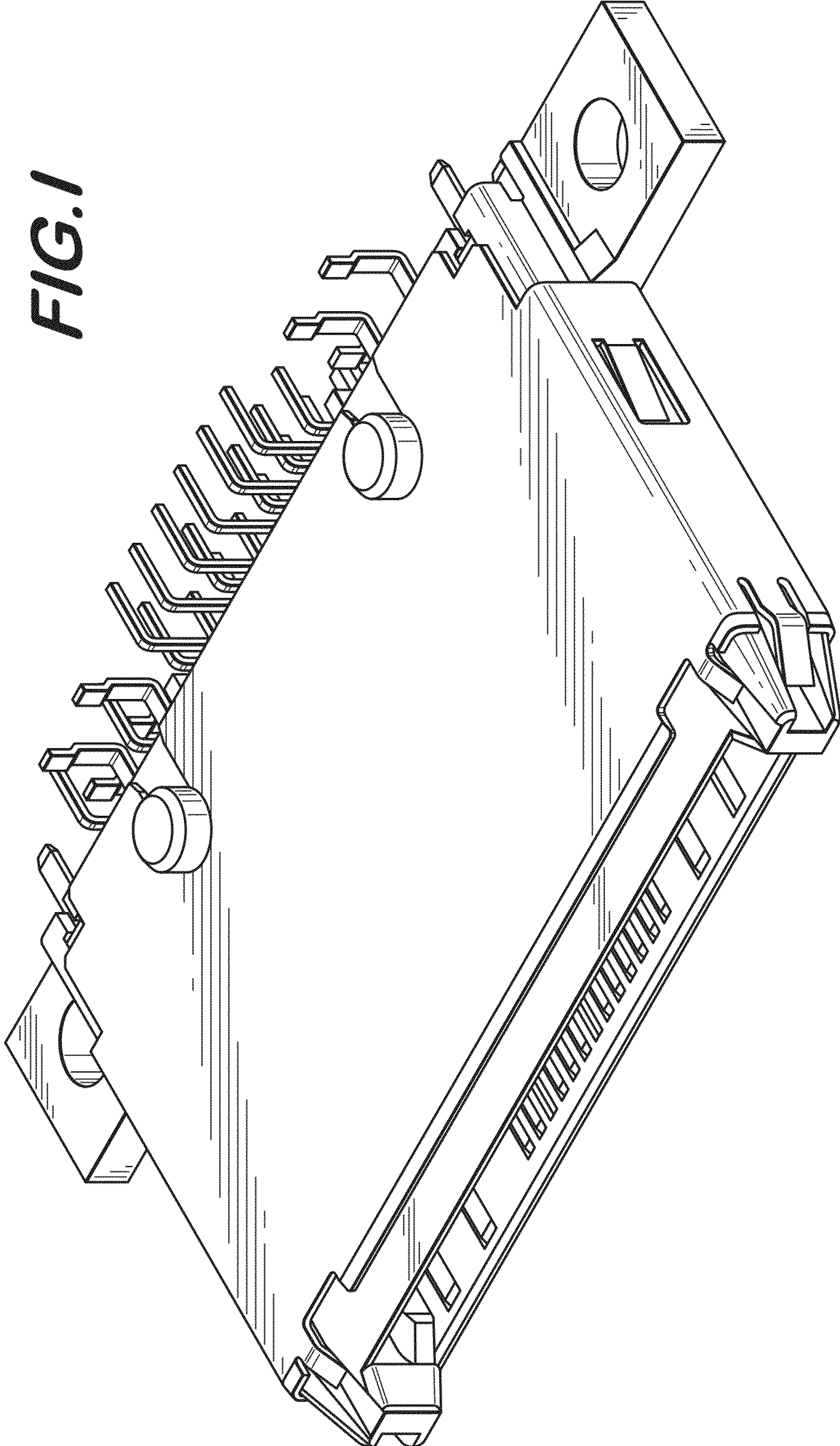


FIG. 2

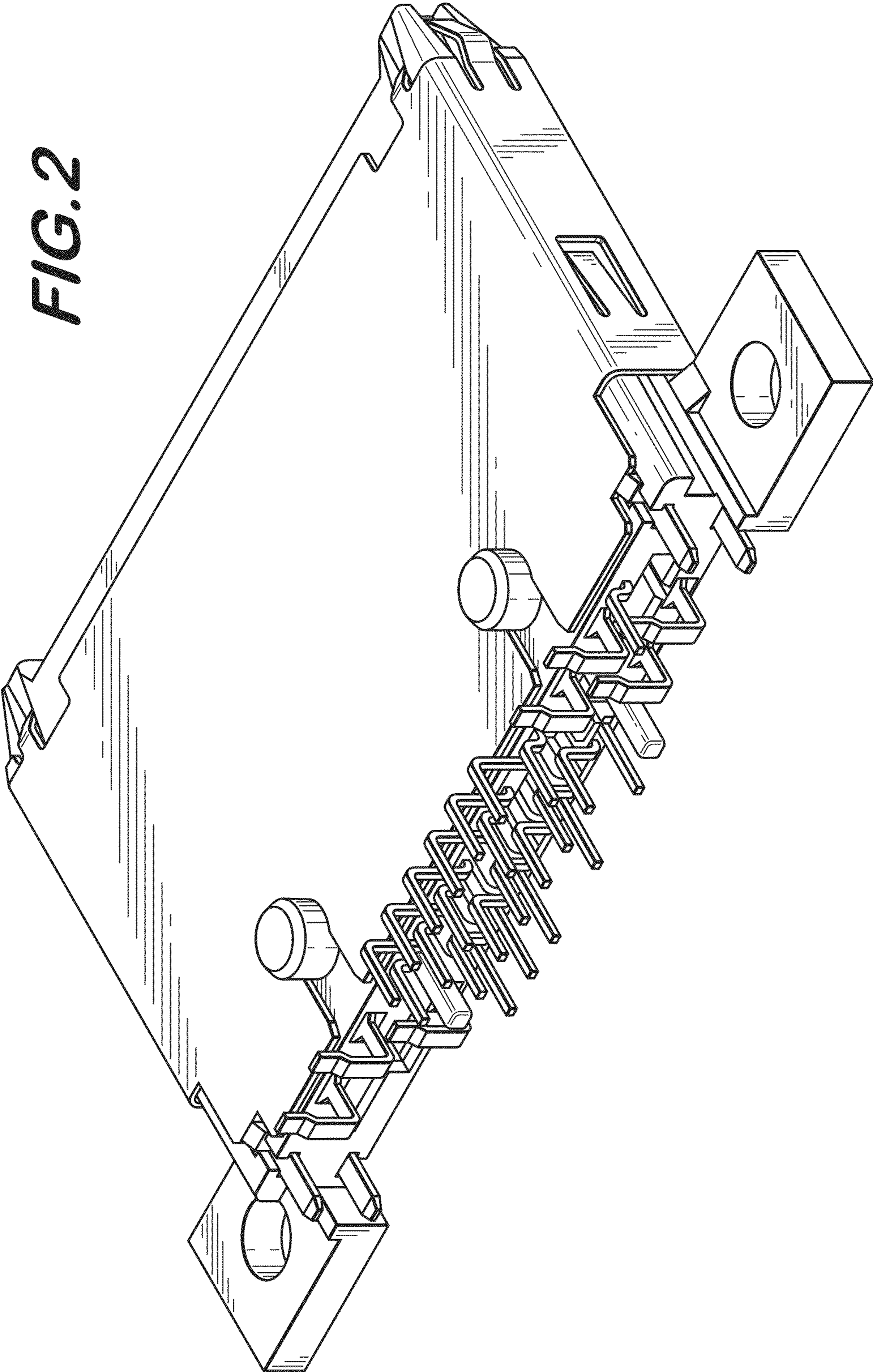


FIG. 3

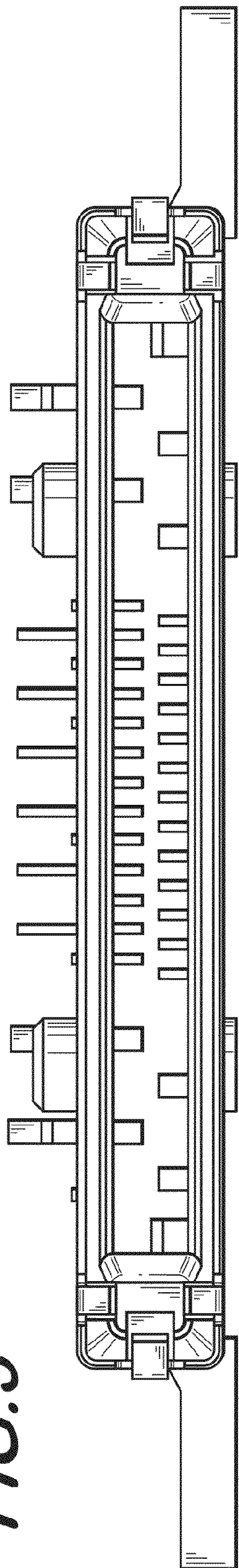
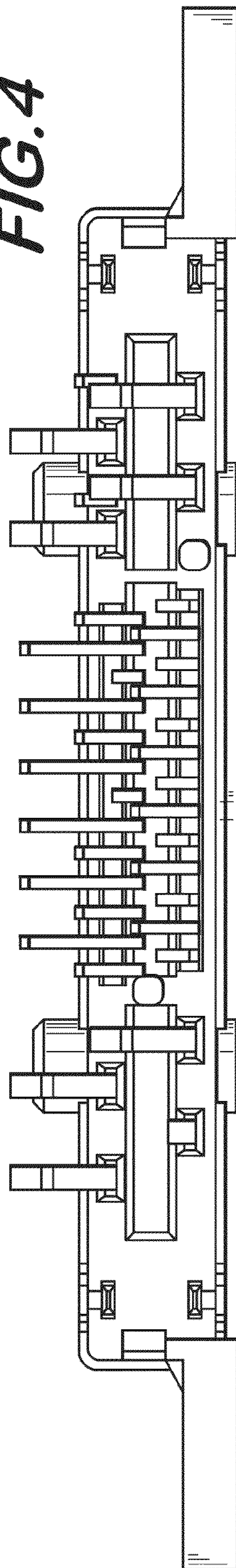


FIG. 4



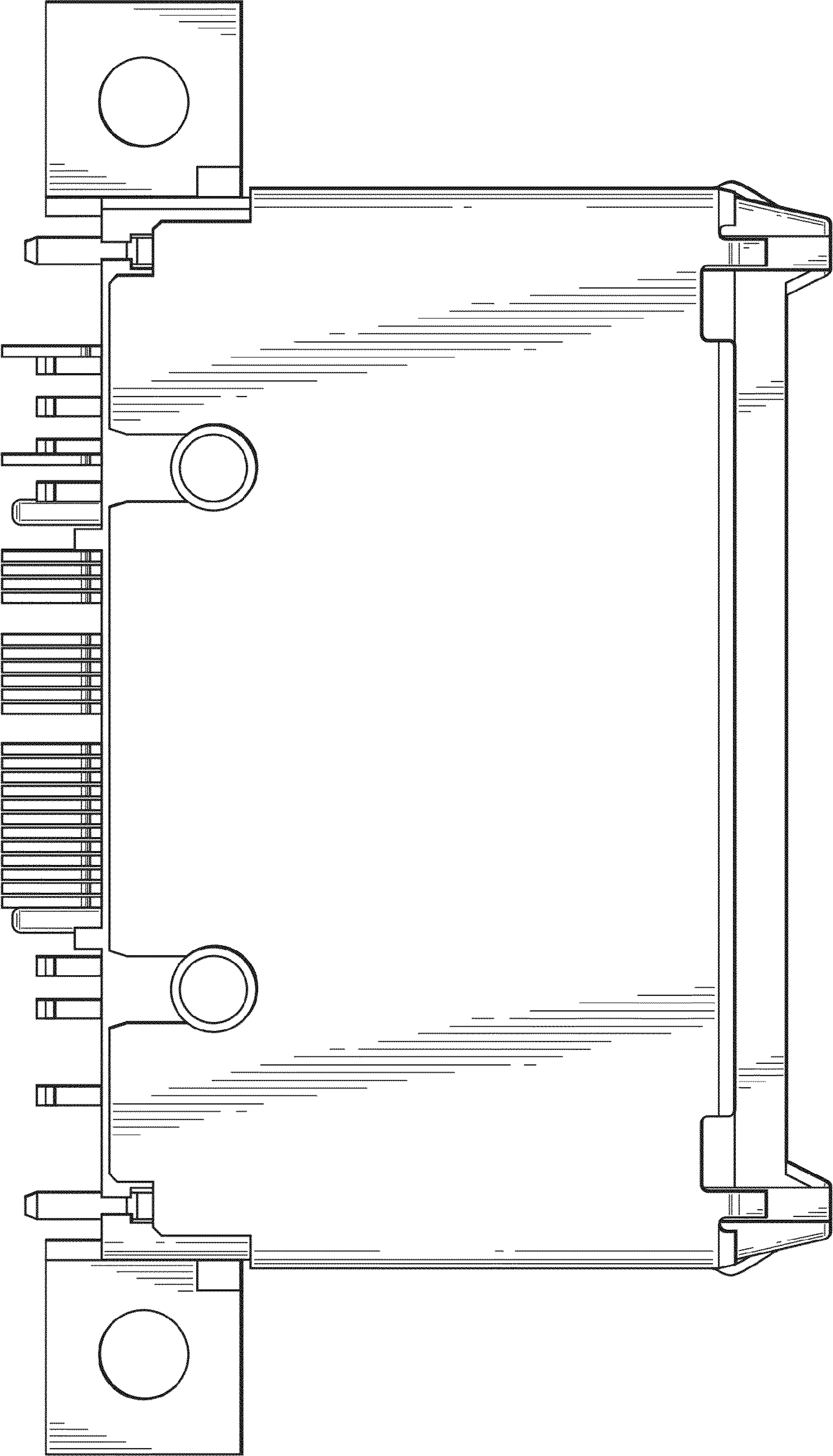


FIG. 5

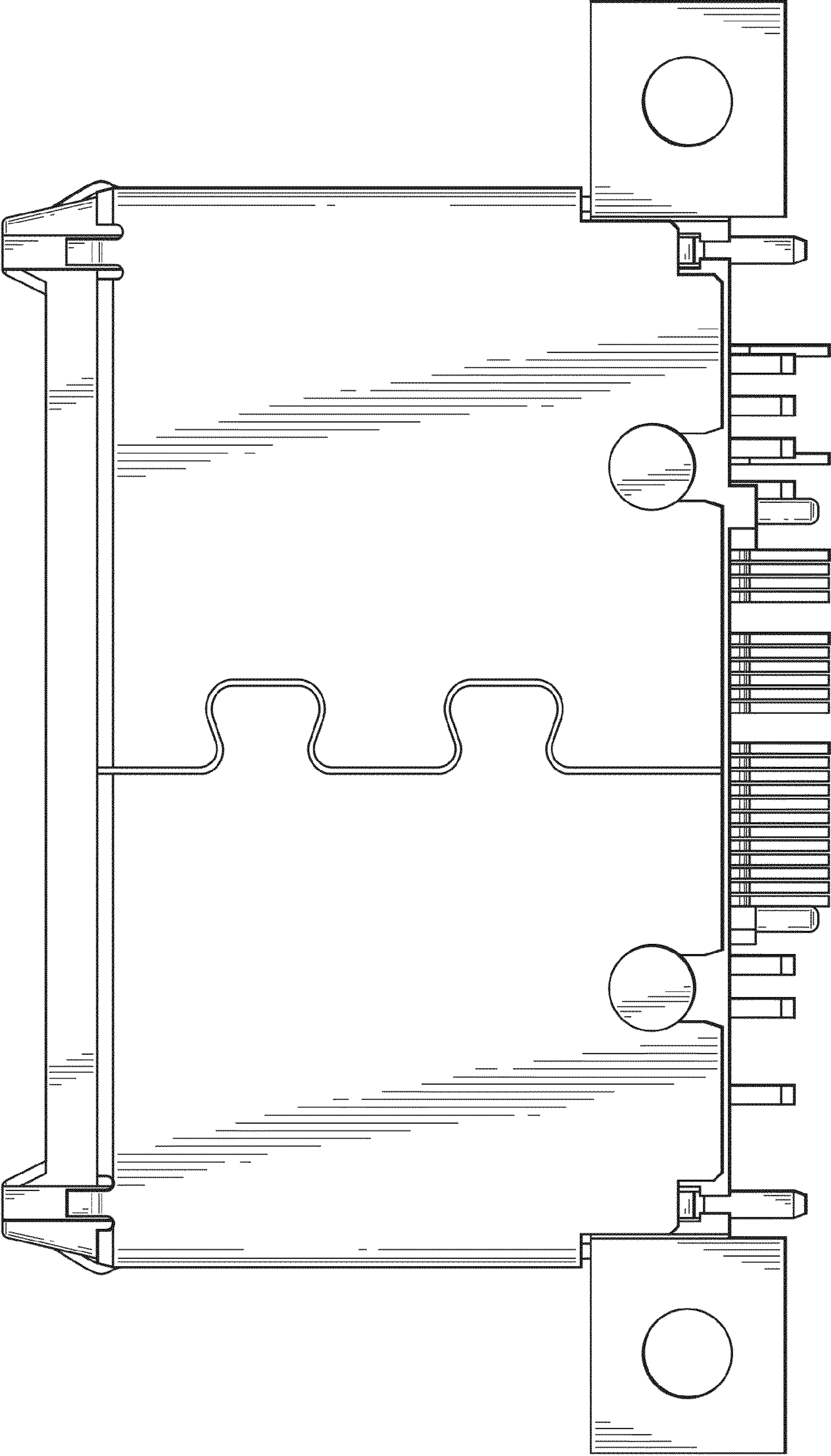


FIG. 6

FIG. 7

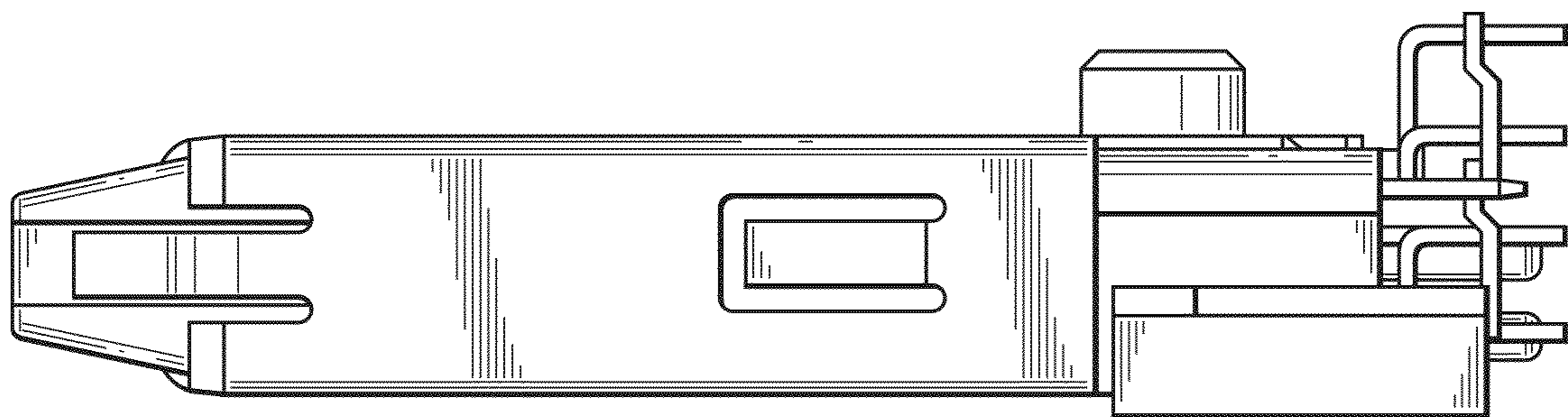
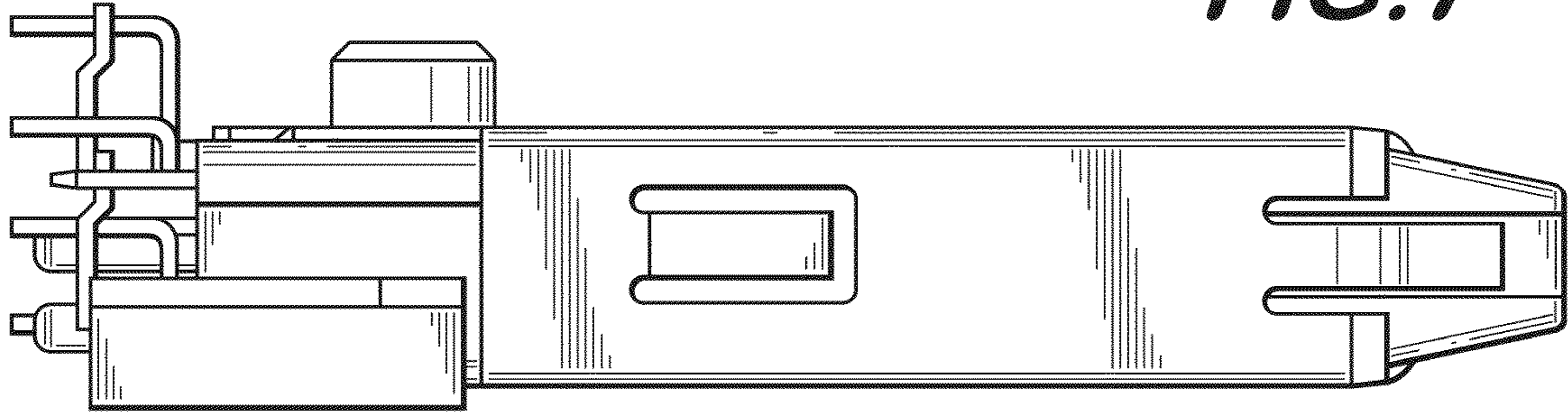


FIG. 8