



US00D689021S

(12) **United States Design Patent**
Wang et al.

(10) **Patent No.:** **US D689,021 S**

(45) **Date of Patent:** **** Sep. 3, 2013**

(54) **PLUG CONNECTOR**

(75) Inventors: **Chin-Chou Wang**, New Taipei (TW);
Yu-Hung Su, New Taipei (TW)

(73) Assignee: **Cheng UEI Precision Industry Co., Ltd.**, New Taipei (TW)

(**) Term: **14 Years**

(21) Appl. No.: **29/415,038**

(22) Filed: **Mar. 6, 2012**

(51) **LOC (9) Cl.** **13-03**

(52) **U.S. Cl.**
USPC **D13/133**

(58) **Field of Classification Search**
USPC D13/168, 171, 133, 154, 199; D10/104,
D10/106; D14/218, 247; 340/825.22, 825.24,
340/825.25, 825.31, 825.36, 825.69, 825.72;
341/176; 455/352
See application file for complete search history.

(56) **References Cited**

U.S. PATENT DOCUMENTS

4,440,464	A	*	4/1984	Spinner	439/218
D287,239	S	*	12/1986	Komatsu	D13/133
D291,303	S	*	8/1987	Wood et al.	D13/133
4,778,240	A	*	10/1988	Komatsu	385/88
D312,613	S	*	12/1990	Shichida	D13/133
D312,614	S	*	12/1990	Amachi et al.	D13/133

D503,385	S	*	3/2005	Hosokawa	D13/147
D551,171	S	*	9/2007	Lai et al.	D13/147
D576,946	S	*	9/2008	Wu	D13/133
D594,415	S	*	6/2009	Shitakata	D13/133
D595,654	S	*	7/2009	Andre et al.	D13/133
D616,821	S	*	6/2010	The	D13/133
D639,243	S	*	6/2011	Gharib et al.	D13/133

* cited by examiner

Primary Examiner — Thomas Johannes

(74) *Attorney, Agent, or Firm* — Cheng-Ju Chiang

(57) **CLAIM**

The ornamental design for a plug connector, as shown and described.

DESCRIPTION

FIG. 1 is a perspective view of a plug connector showing our new design;

FIG. 2 is a front elevational view thereof;

FIG. 3 is a rear elevational view thereof;

FIG. 4 is a left side elevational view thereof;

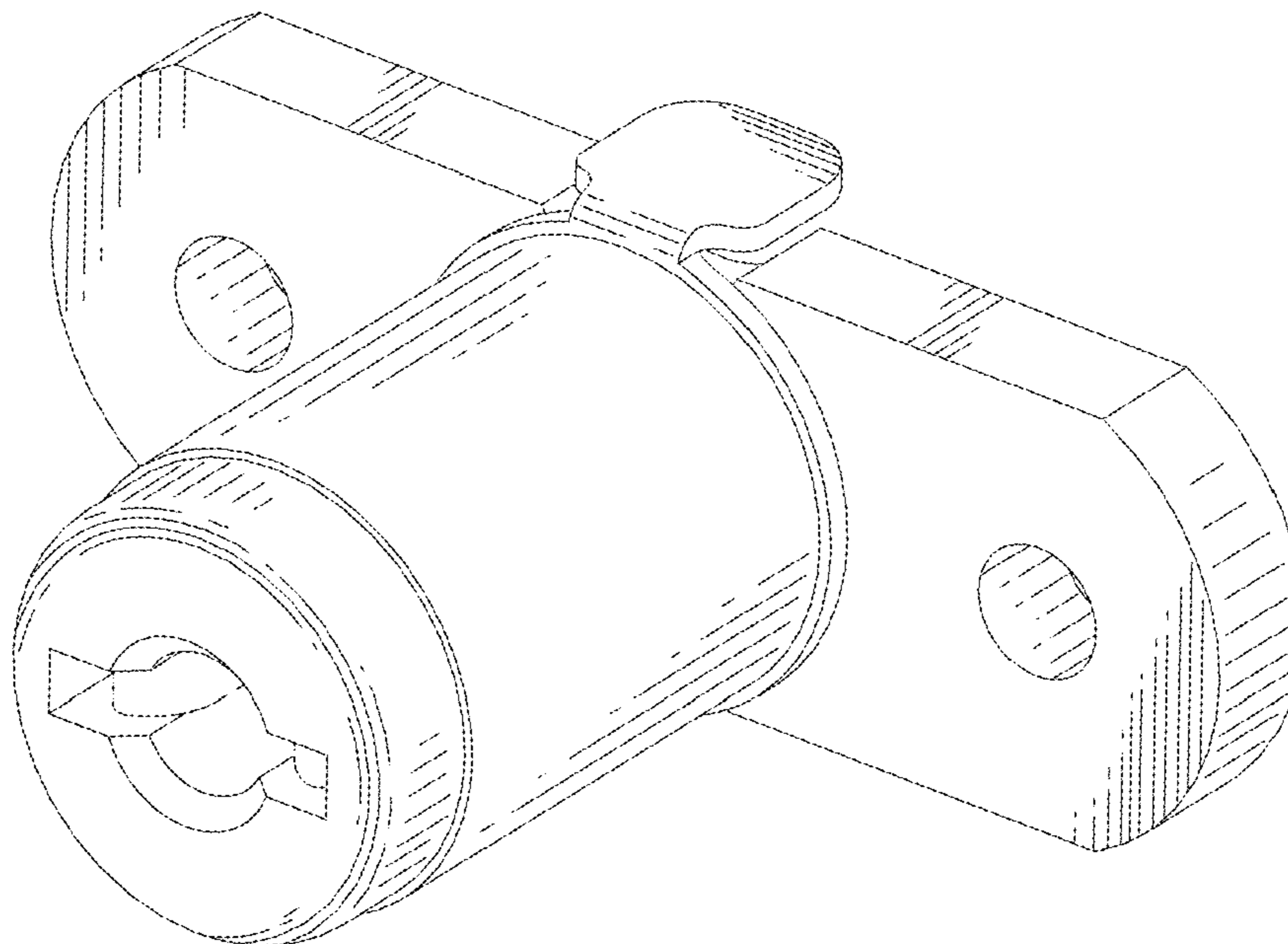
FIG. 5 is a right side elevational view thereof;

FIG. 6 is a top plan view thereof; and,

FIG. 7 is a bottom plan view thereof.

The broken line portion of the figure drawings is included to show unclaimed subject matter only and forms no part of the claimed design.

1 Claim, 7 Drawing Sheets



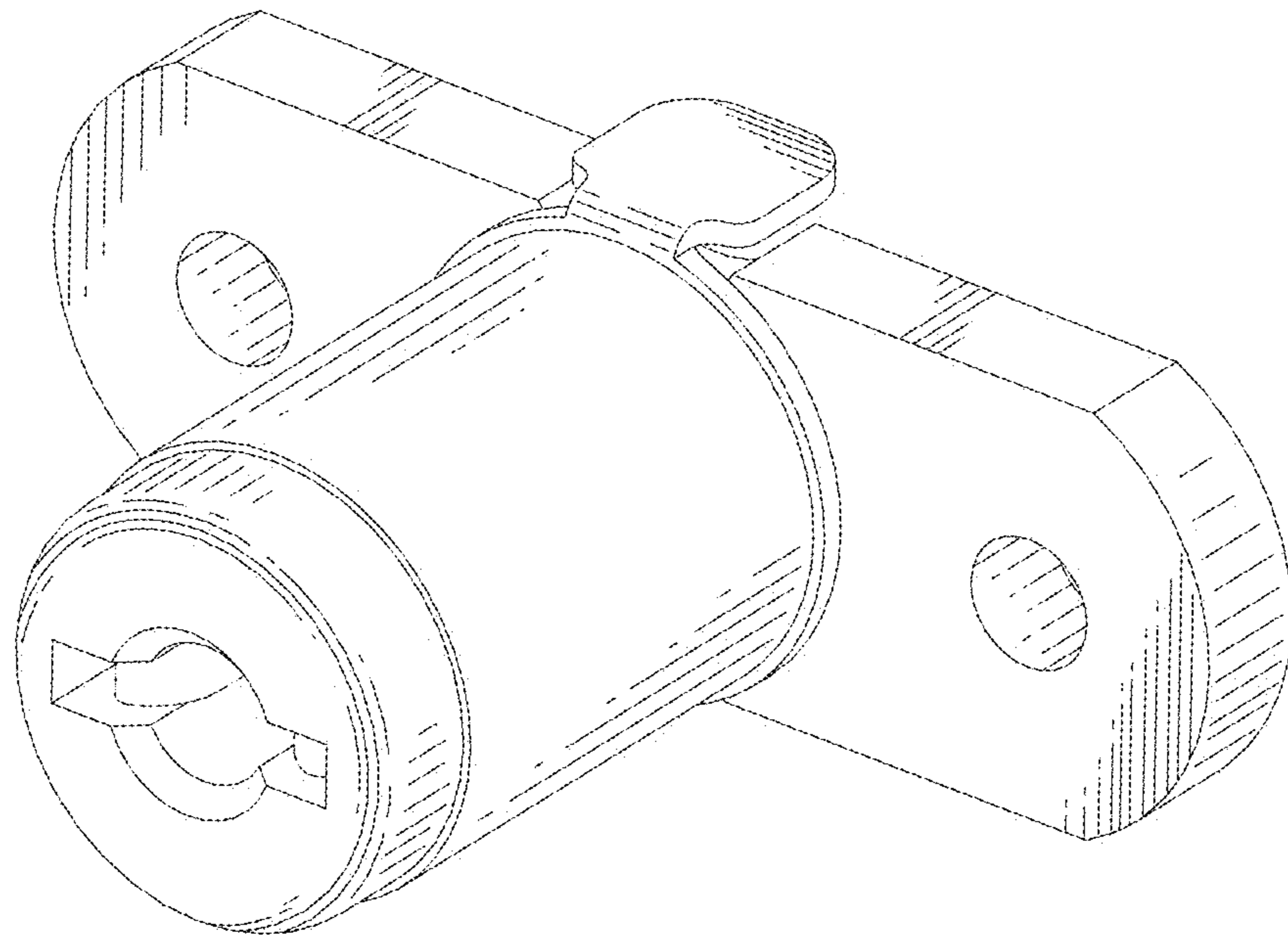


FIG. 1

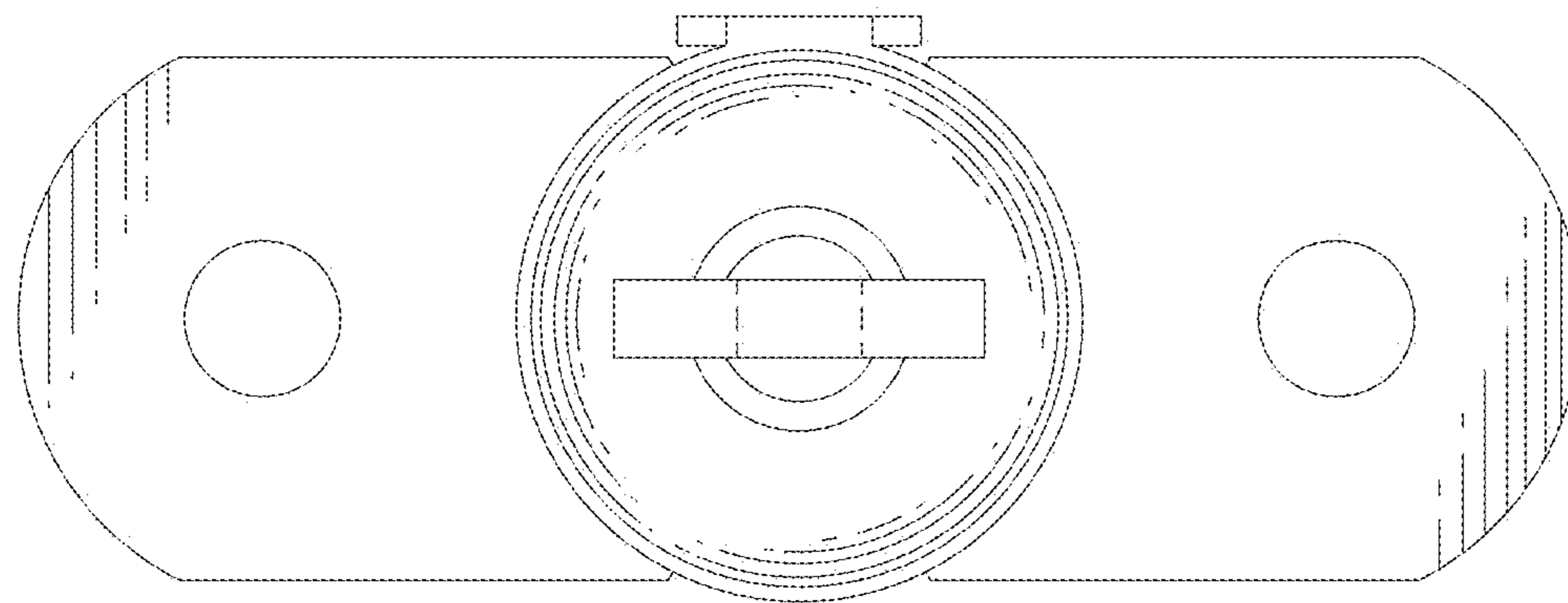


FIG. 2

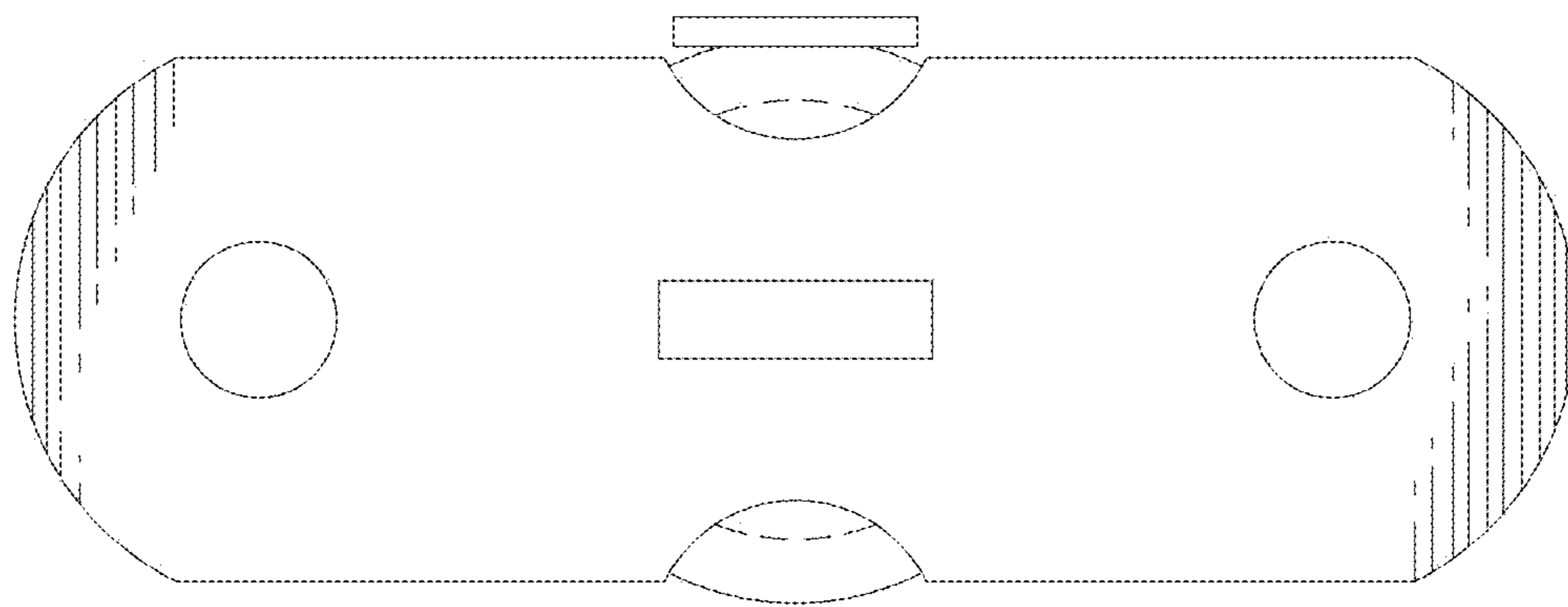


FIG. 3

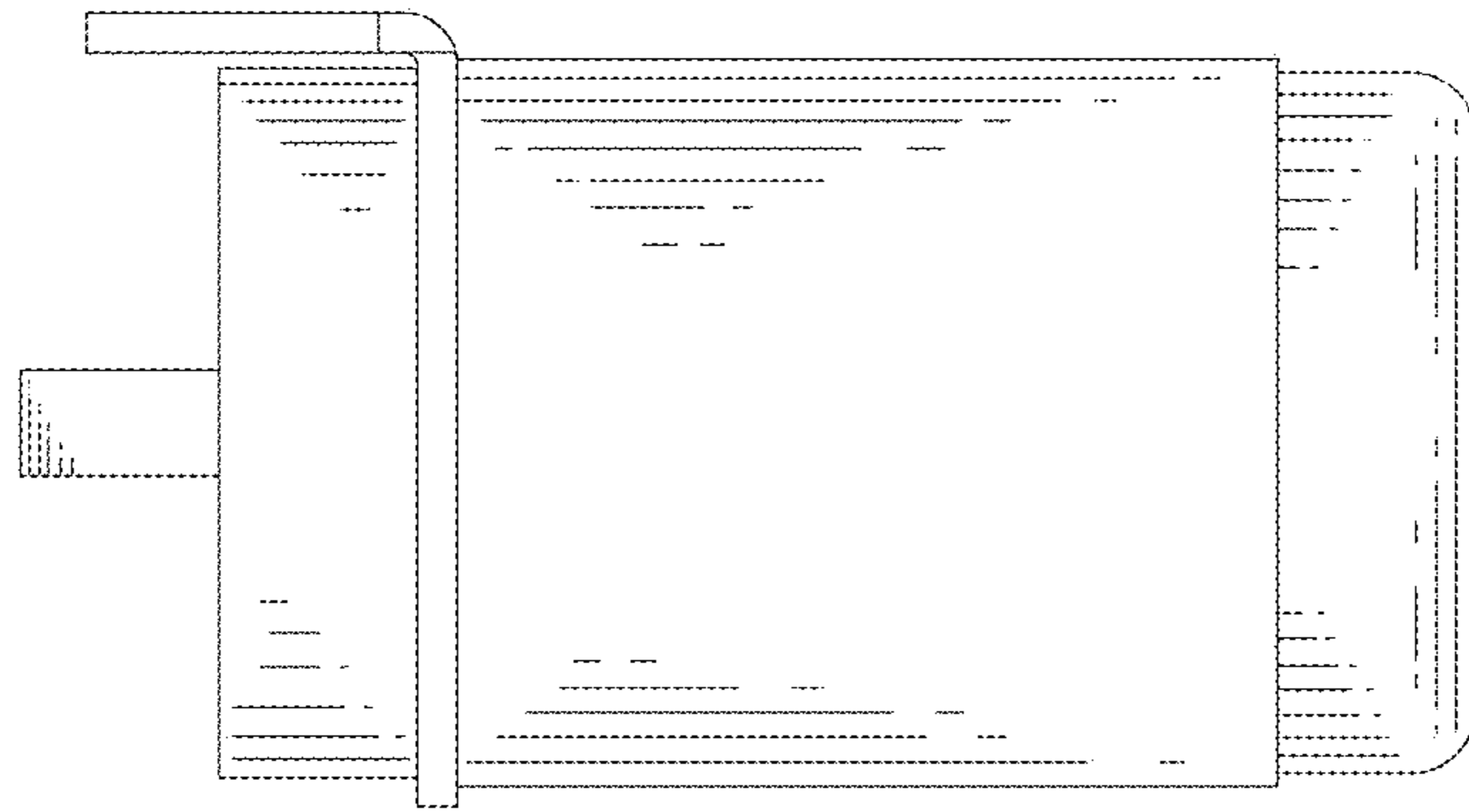


FIG. 4

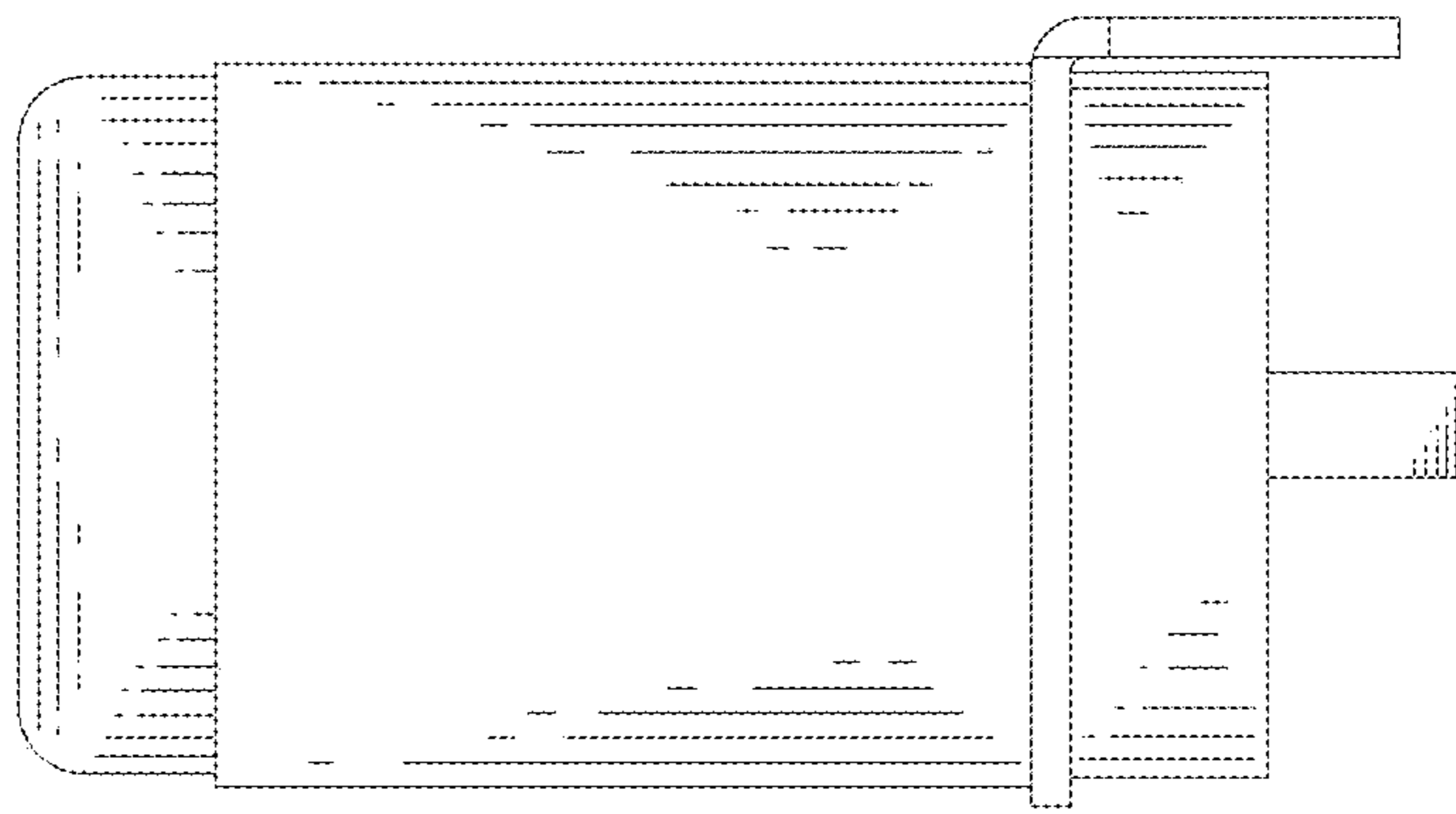


FIG. 5

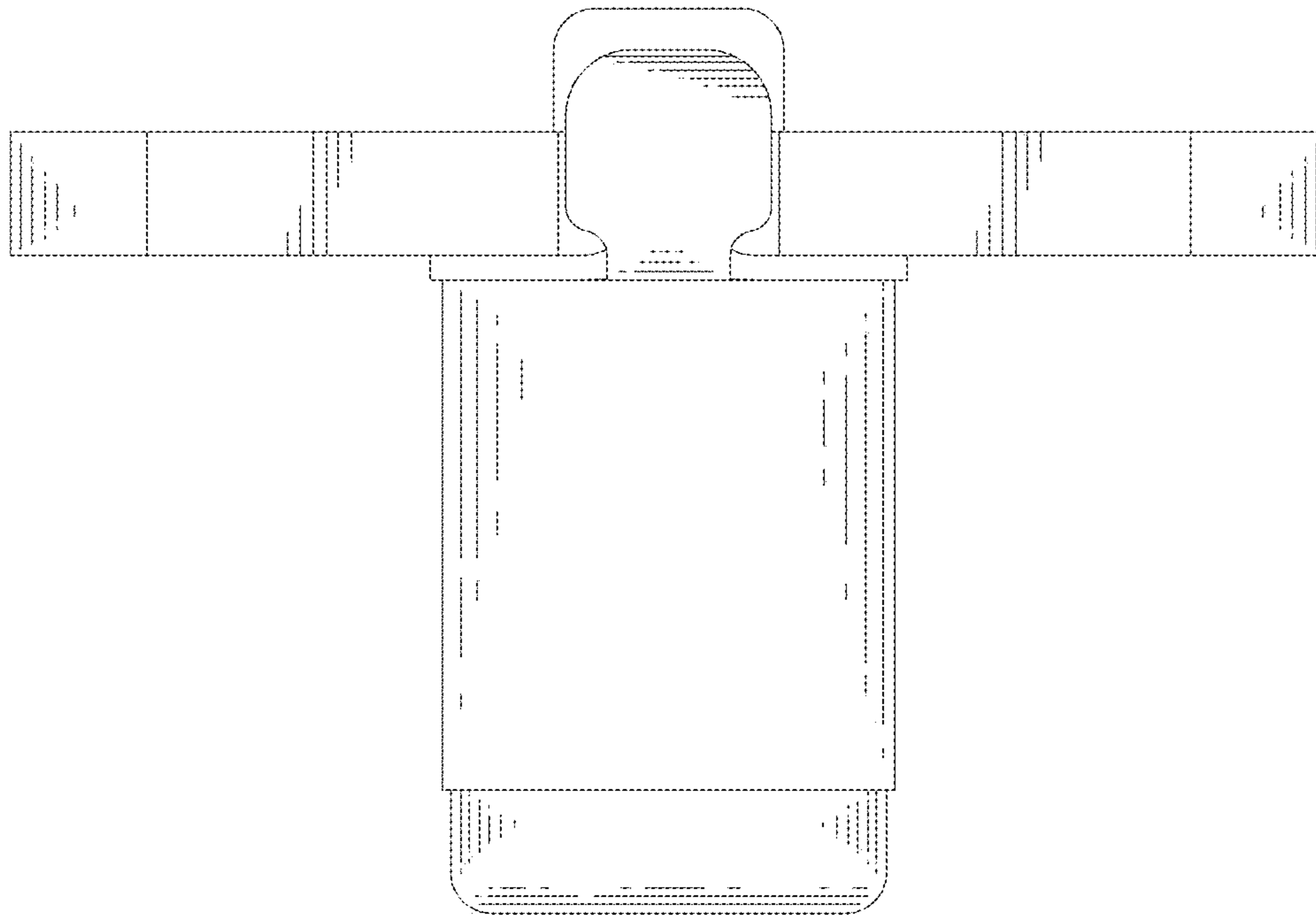


FIG. 6

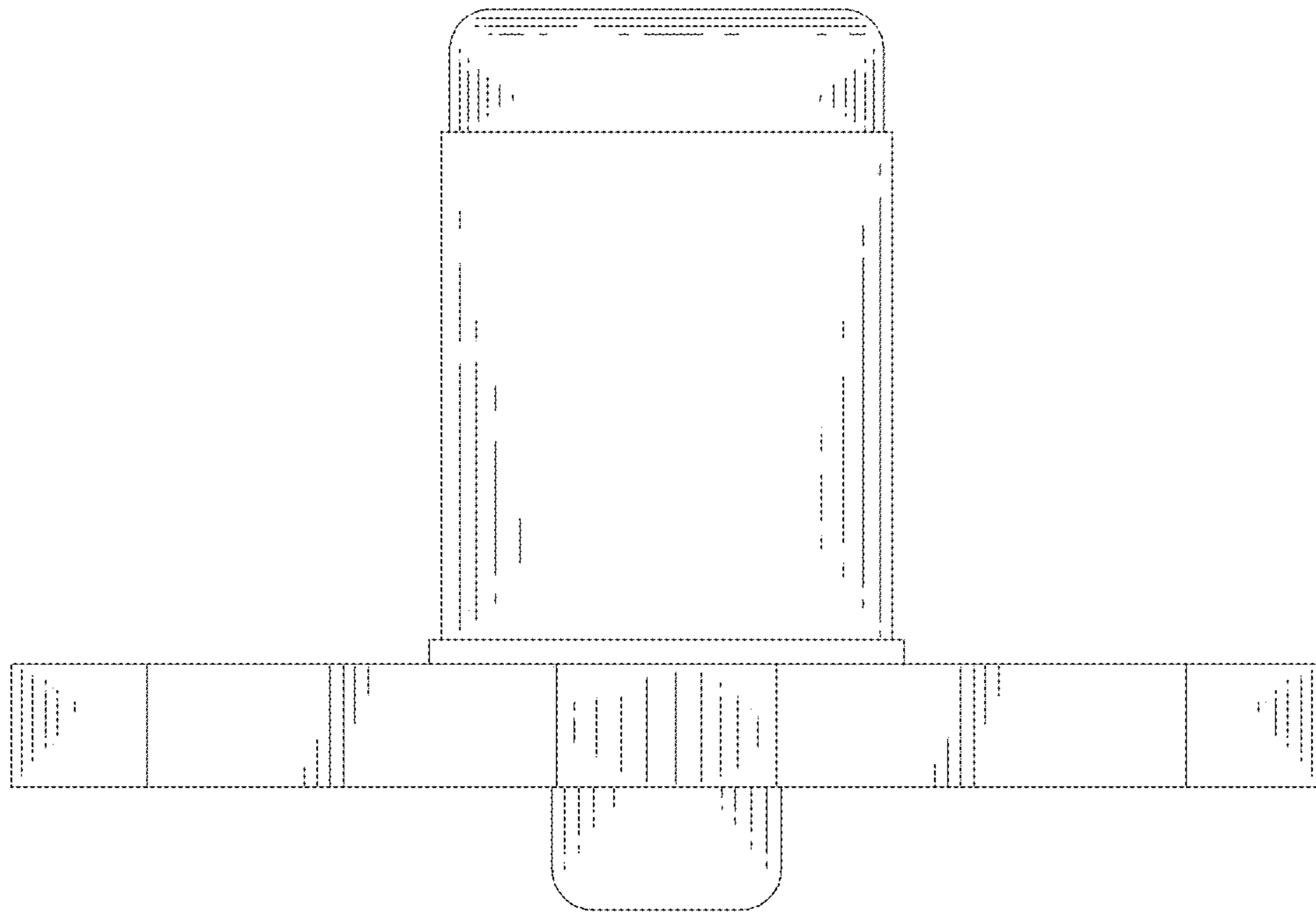


FIG. 7