



US00D689018S

(12) **United States Design Patent**  
**Honda et al.**

(10) **Patent No.:** **US D689,018 S**  
(45) **Date of Patent:** **\*\* Sep. 3, 2013**

(54) **BATTERY FOR A PORTABLE COMPUTER**

(71) Applicant: **Panasonic Corporation**, Osaka (JP)

(72) Inventors: **Sugiko Honda**, Osaka (JP); **Ryo Yonezawa**, Kyoto (JP)

(73) Assignee: **Panasonic Corporation**, Osaka (JP)

(\*\*) Term: **14 Years**

(21) Appl. No.: **29/445,039**

(22) Filed: **Feb. 7, 2013**

(30) **Foreign Application Priority Data**

Sep. 24, 2012 (JP) ..... 2012-023011

(51) **LOC (9) Cl.** ..... **13-02**

(52) **U.S. Cl.**  
USPC ..... **D13/103**

(58) **Field of Classification Search**  
USPC ..... D13/102-108, 110, 118-121, 184,  
D13/199; 429/96-100, 163, 176  
See application file for complete search history.

(56) **References Cited**

U.S. PATENT DOCUMENTS

D386,742 S \* 11/1997 Amero et al. .... D13/103  
D440,201 S \* 4/2001 Huynh et al. .... D13/103

D478,866 S \* 8/2003 Nakai ..... D13/103  
D481,995 S \* 11/2003 Yokota ..... D13/103  
D524,241 S \* 7/2006 Takeshita et al. .... D13/103  
D532,363 S \* 11/2006 Morisawa ..... D13/103  
D555,587 S 11/2007 Yamamoto et al.  
D642,980 S \* 8/2011 Inaba ..... D13/119  
D669,427 S \* 10/2012 Ignor et al. .... D13/103  
D674,333 S \* 1/2013 Lemelman et al. .... D13/103  
D677,620 S \* 3/2013 Corbin et al. .... D13/103  
D678,188 S \* 3/2013 Sasada ..... D13/103

\* cited by examiner

*Primary Examiner* — Rosemary K Tarcza

(74) *Attorney, Agent, or Firm* — Panasonic Patent Center

(57) **CLAIM**

We claim the ornamental design for a battery for a portable computer, as shown and described.

**DESCRIPTION**

FIG. 1 is a front-right-top perspective view of a battery for a portable computer of the present invention;  
FIG. 2 is a rear-left-top perspective view thereof;  
FIG. 3 is a rear-right-bottom perspective view thereof;  
FIG. 4 is a front view thereof;  
FIG. 5 is a rear view thereof;  
FIG. 6 is a left side view thereof;  
FIG. 7 is a right side view thereof;  
FIG. 8 is a top view thereof; and,  
FIG. 9 is a bottom view thereof.

**1 Claim, 9 Drawing Sheets**

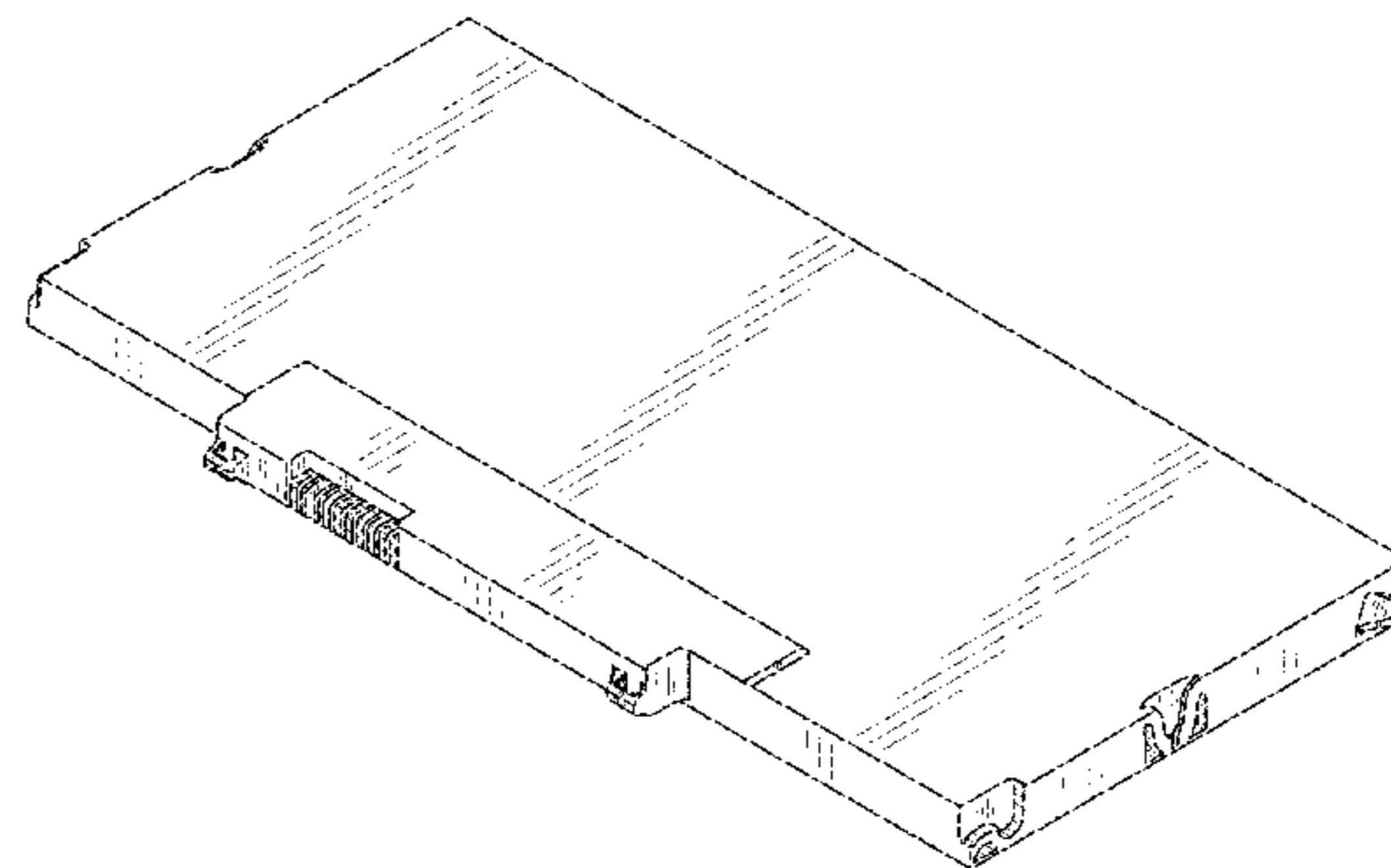
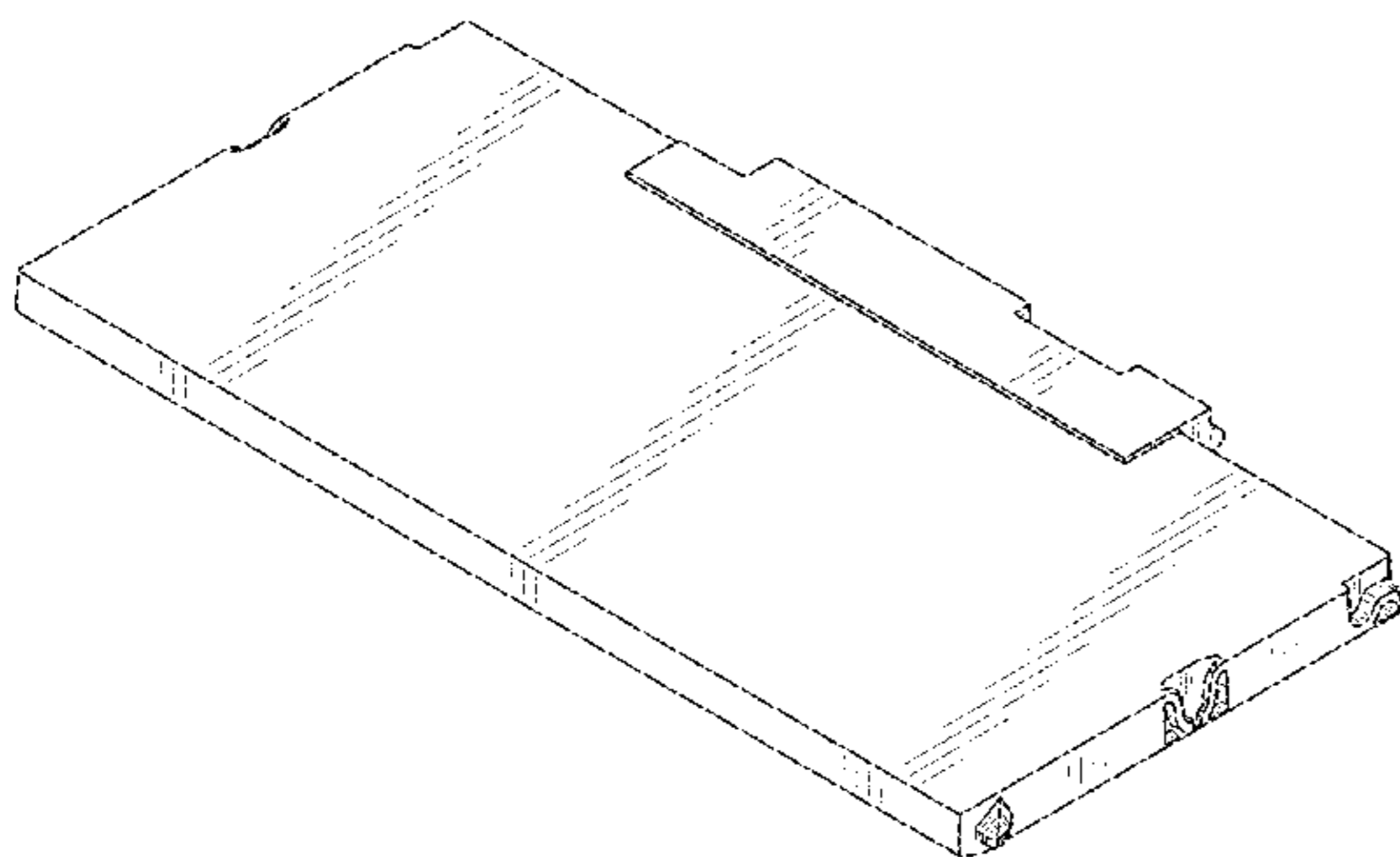


FIG. 1

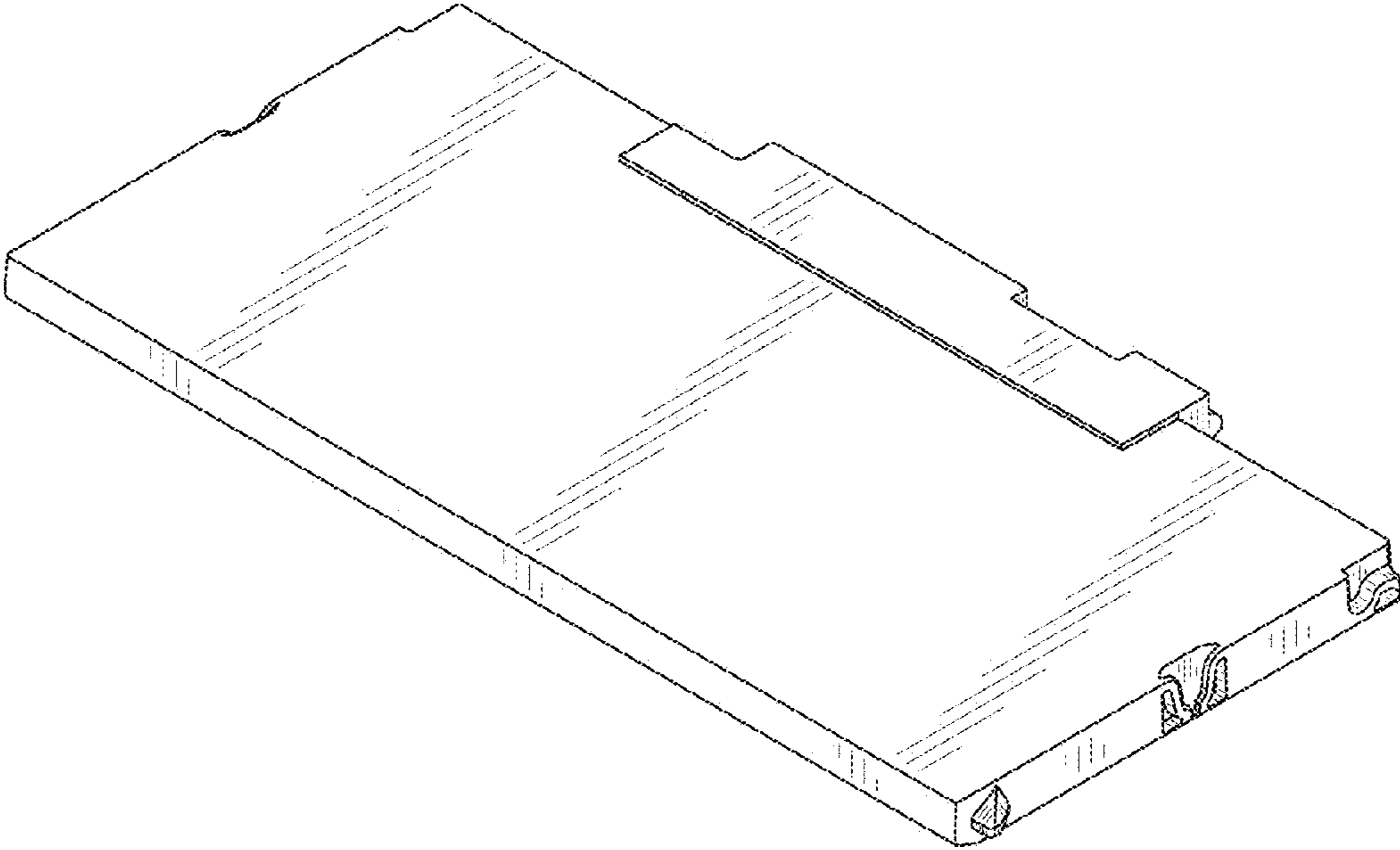


FIG. 2

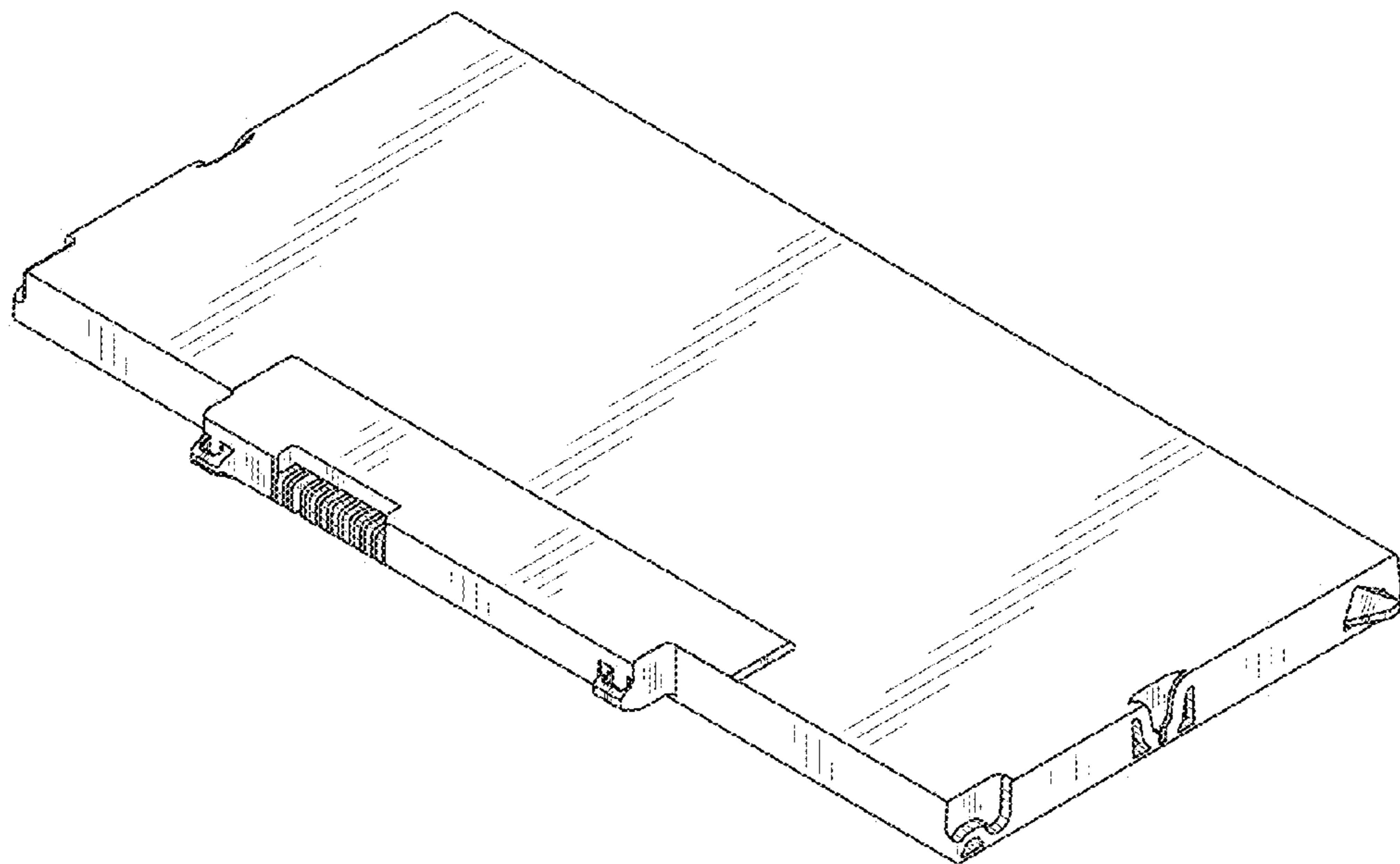


FIG. 3

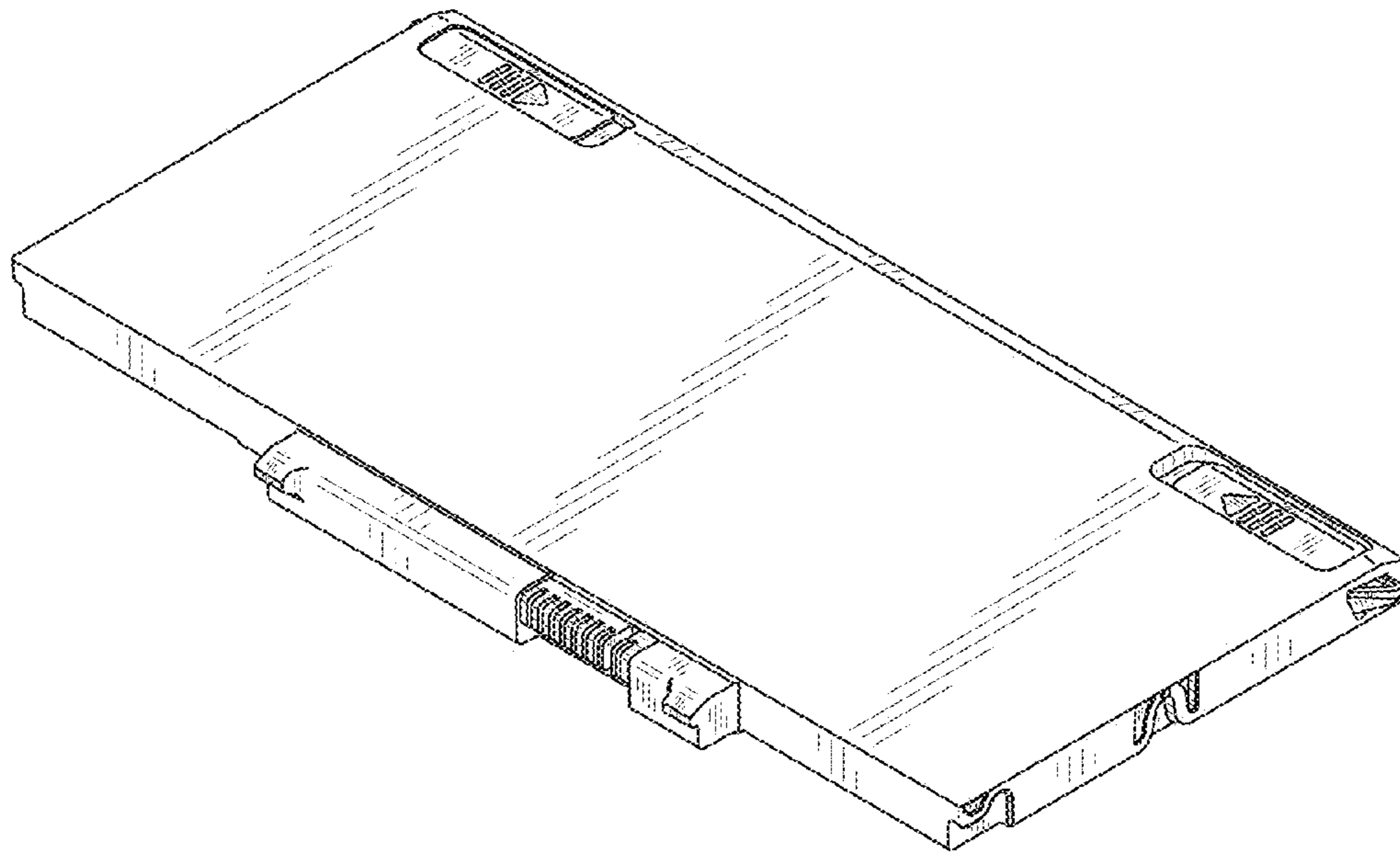


FIG. 4

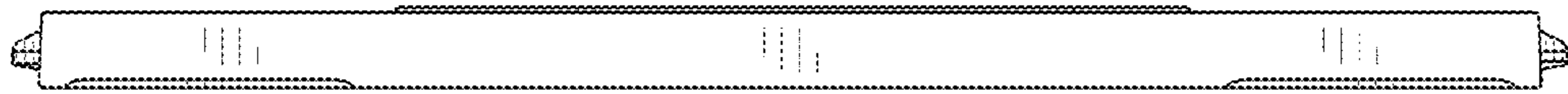


FIG. 5



FIG. 6



FIG. 7





FIG. 8

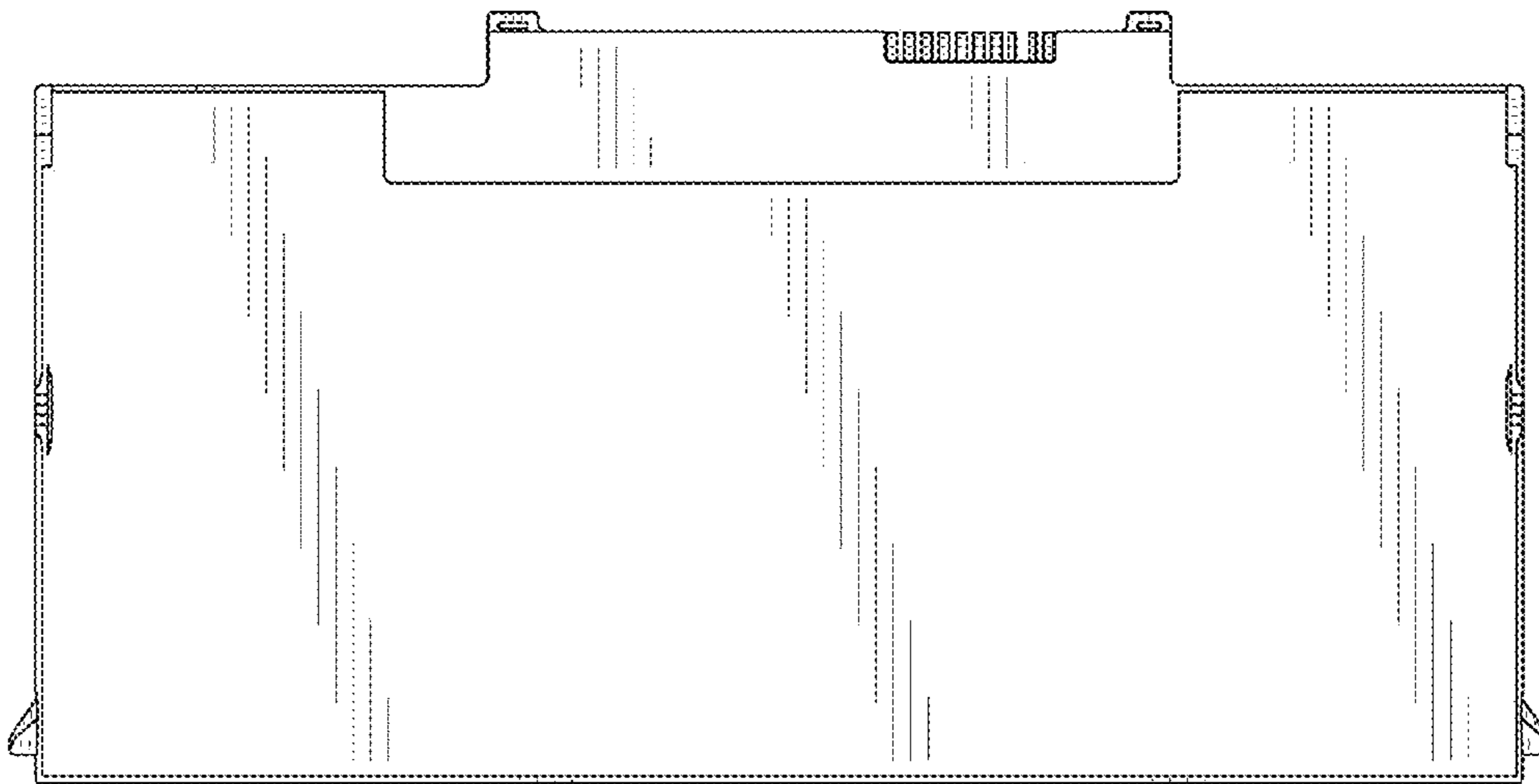


FIG. 9

