



US00D689017S

(12) **United States Design Patent**
Ambrose et al.

(10) **Patent No.:** **US D689,017 S**

(45) **Date of Patent:** **** Sep. 3, 2013**

(54) **BATTERY CASE**

(71) Applicants: **Jeffrey C. Ambrose**, Elkhorn, WI (US);
Glenn T. Walters, Port Washington, WI (US)

(72) Inventors: **Jeffrey C. Ambrose**, Elkhorn, WI (US);
Glenn T. Walters, Port Washington, WI (US)

(73) Assignee: **Sta-Rite Industries, LLC**, Delavan, WI (US)

(**) Term: **14 Years**

(21) Appl. No.: **29/435,601**

(22) Filed: **Oct. 25, 2012**

(51) **LOC (9) Cl.** **13-02**

(52) **U.S. Cl.**
USPC **D13/103**

(58) **Field of Classification Search**
USPC D13/102-108, 110, 118-121, 184,
D13/199; 429/96-100, 163, 176
See application file for complete search history.

(56) **References Cited**

U.S. PATENT DOCUMENTS

D183,359 S * 8/1958 Mallory D13/119
D183,777 S * 10/1958 Weiss D3/280
D228,351 S * 9/1973 Smentek D13/119

D252,354 S * 7/1979 Uyeda D3/302
D293,234 S * 12/1987 Helou et al. D13/104
D495,994 S * 9/2004 Arakelian D13/119
D517,479 S * 3/2006 Schemm D13/119
D517,987 S * 3/2006 Castagnola et al. D13/119
D517,988 S * 3/2006 Ihde et al. D13/119
D592,134 S * 5/2009 Brockington D13/119
D602,429 S * 10/2009 Chen D13/108

* cited by examiner

Primary Examiner — Rosemary K Tarcza

(74) *Attorney, Agent, or Firm* — Quarles & Brady LLP

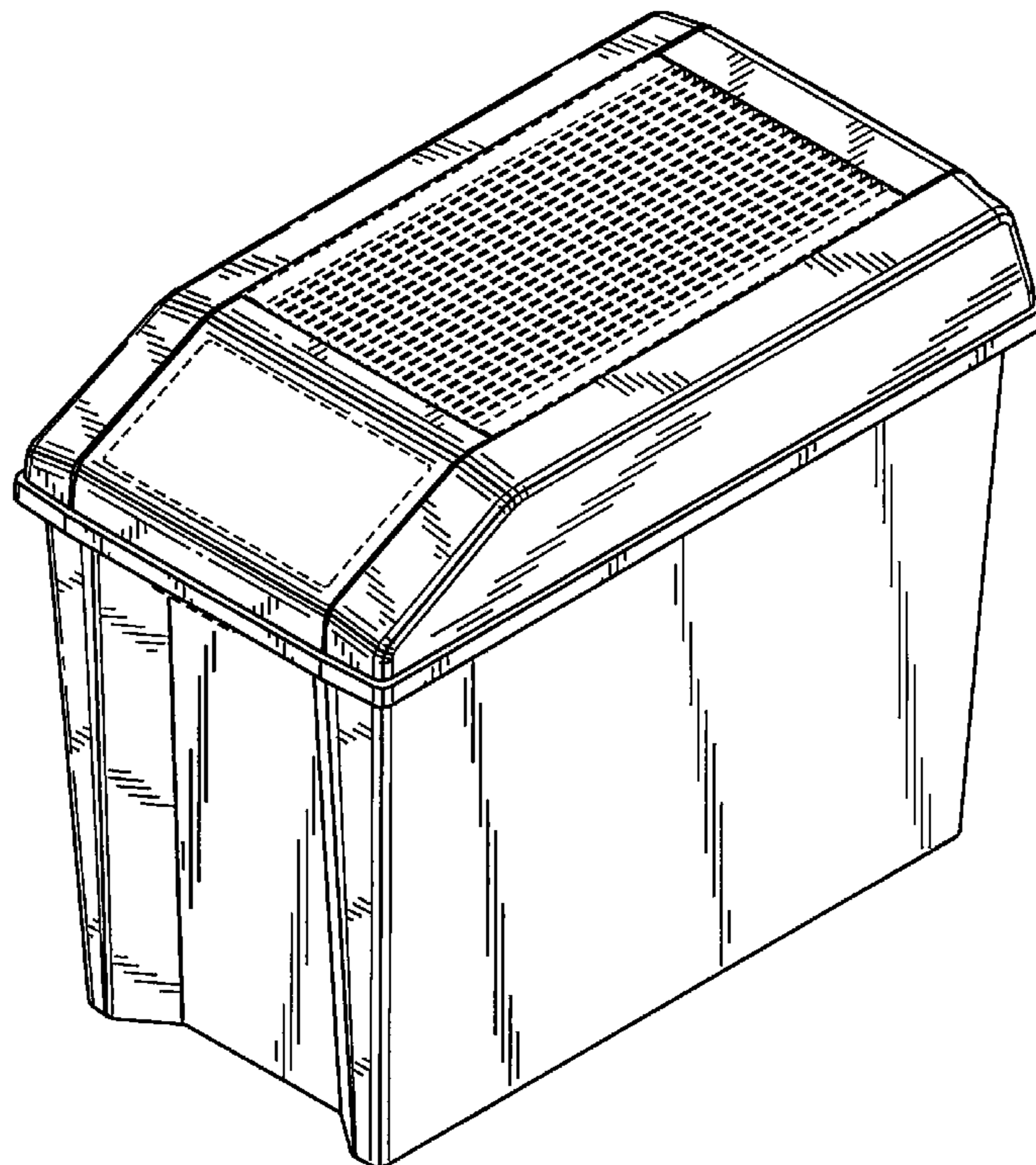
(57) **CLAIM**

The ornamental design for a battery case, as shown and described.

DESCRIPTION

FIG. 1 is a front perspective view of our new battery case; FIG. 2 is a front view thereof; FIG. 3 is a top view thereof; FIG. 4 is a right view thereof; FIG. 5 is a left view thereof; FIG. 6 is a rear view thereof; and, FIG. 7 is a bottom view thereof. The broken line portion of the figure drawings is included to show unclaimed subject matter only and forms no part of the claimed design.

1 Claim, 4 Drawing Sheets



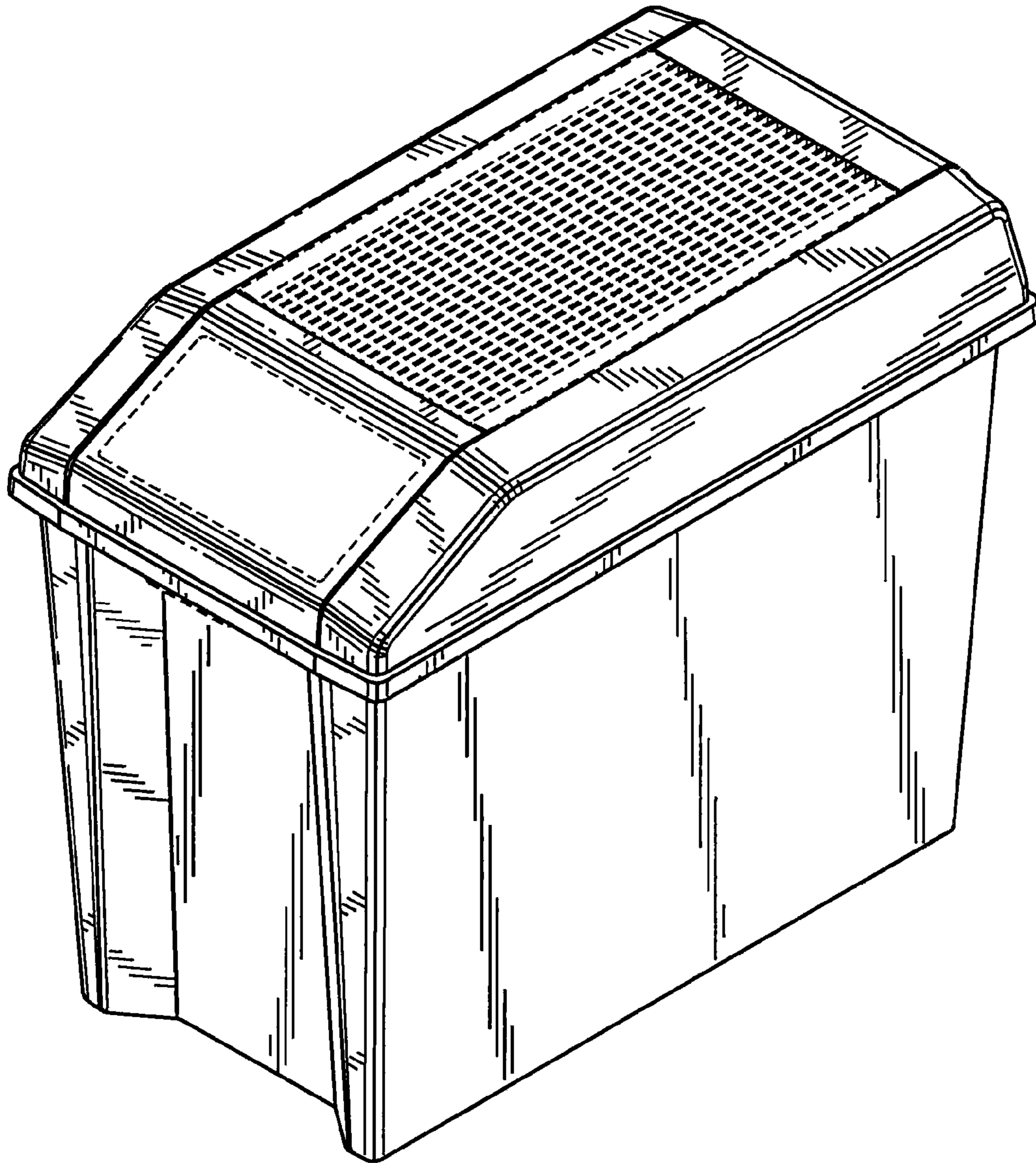


FIG. 1

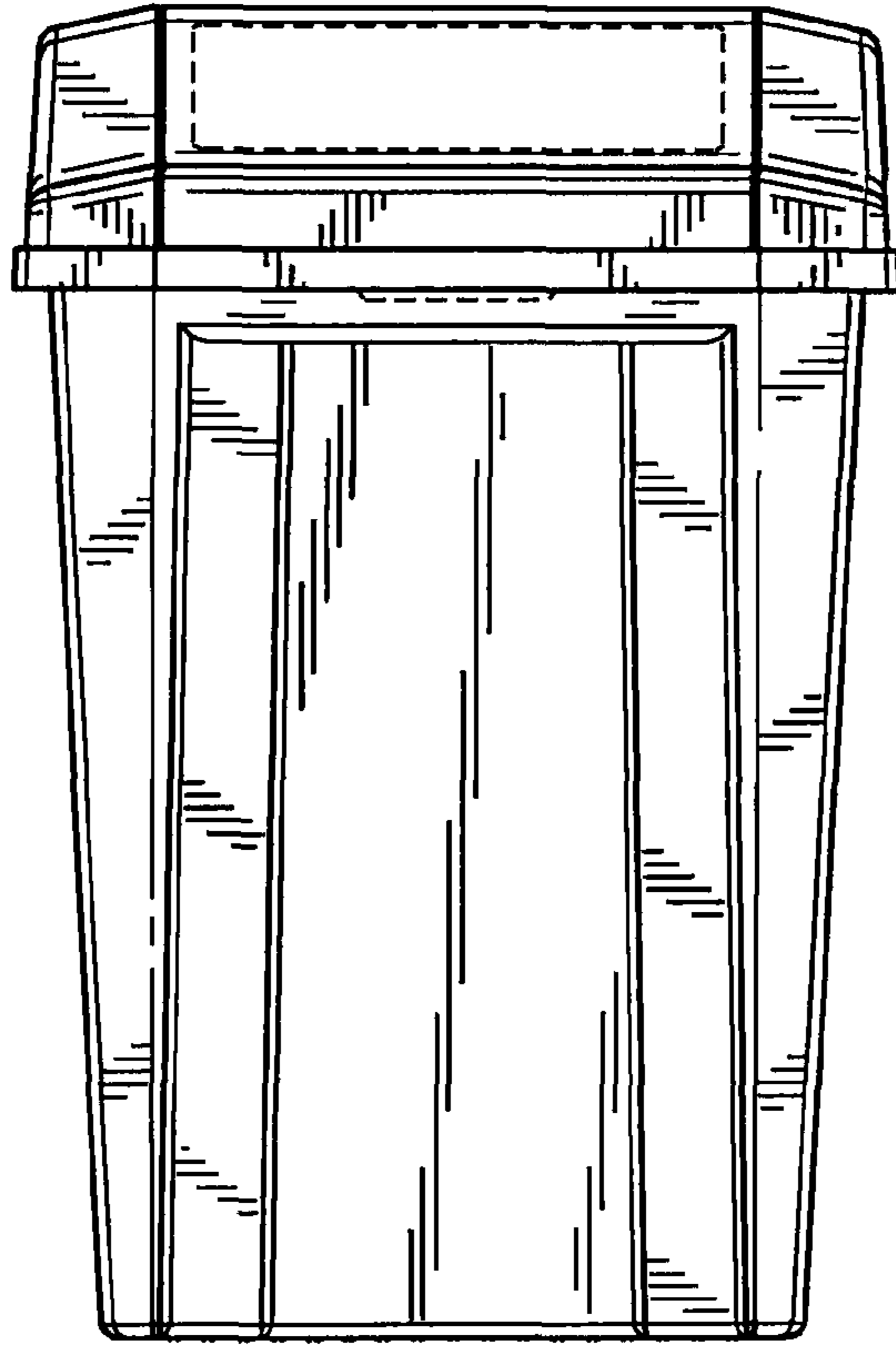


FIG. 2

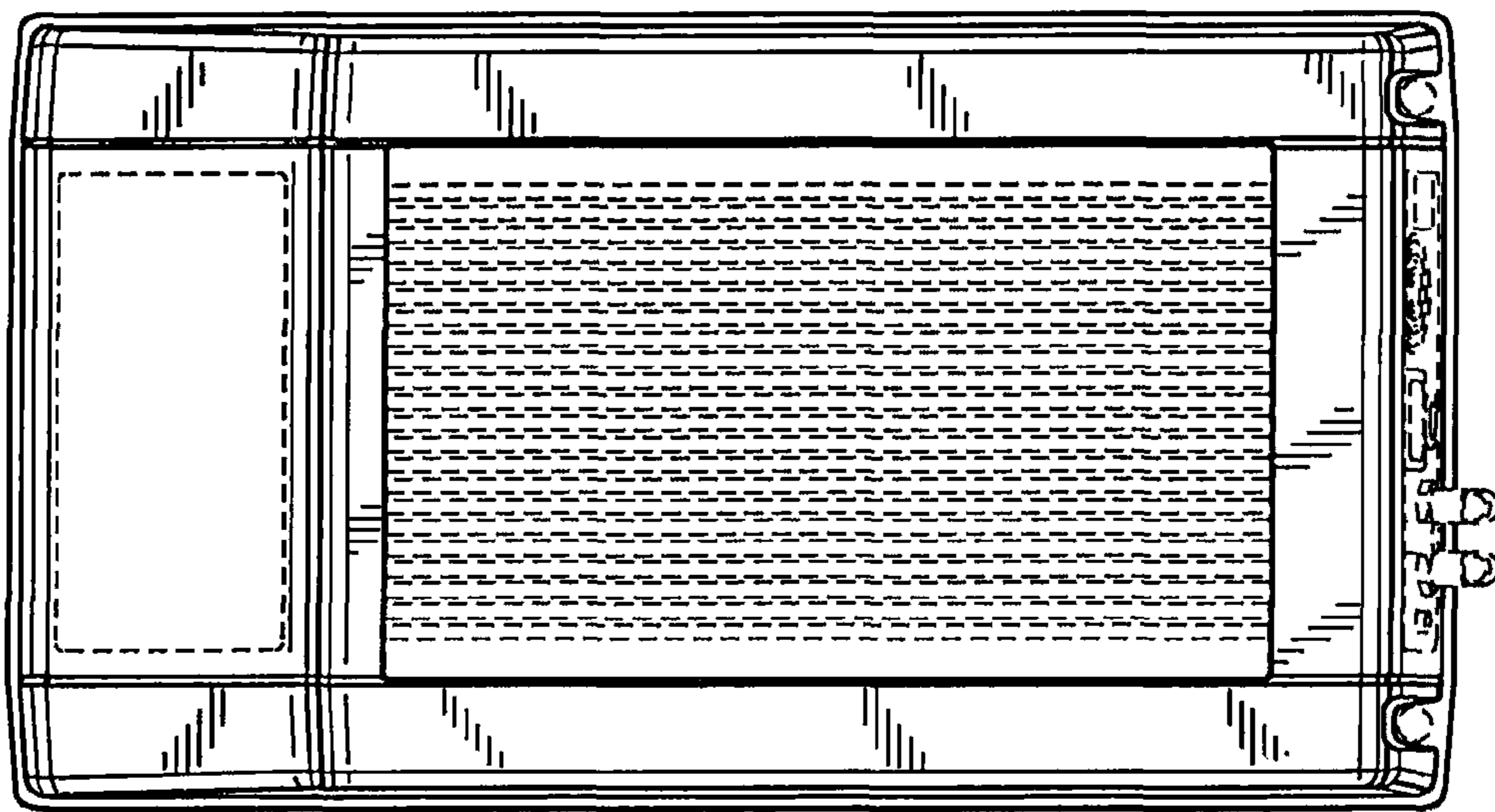


FIG. 3

FIG. 4

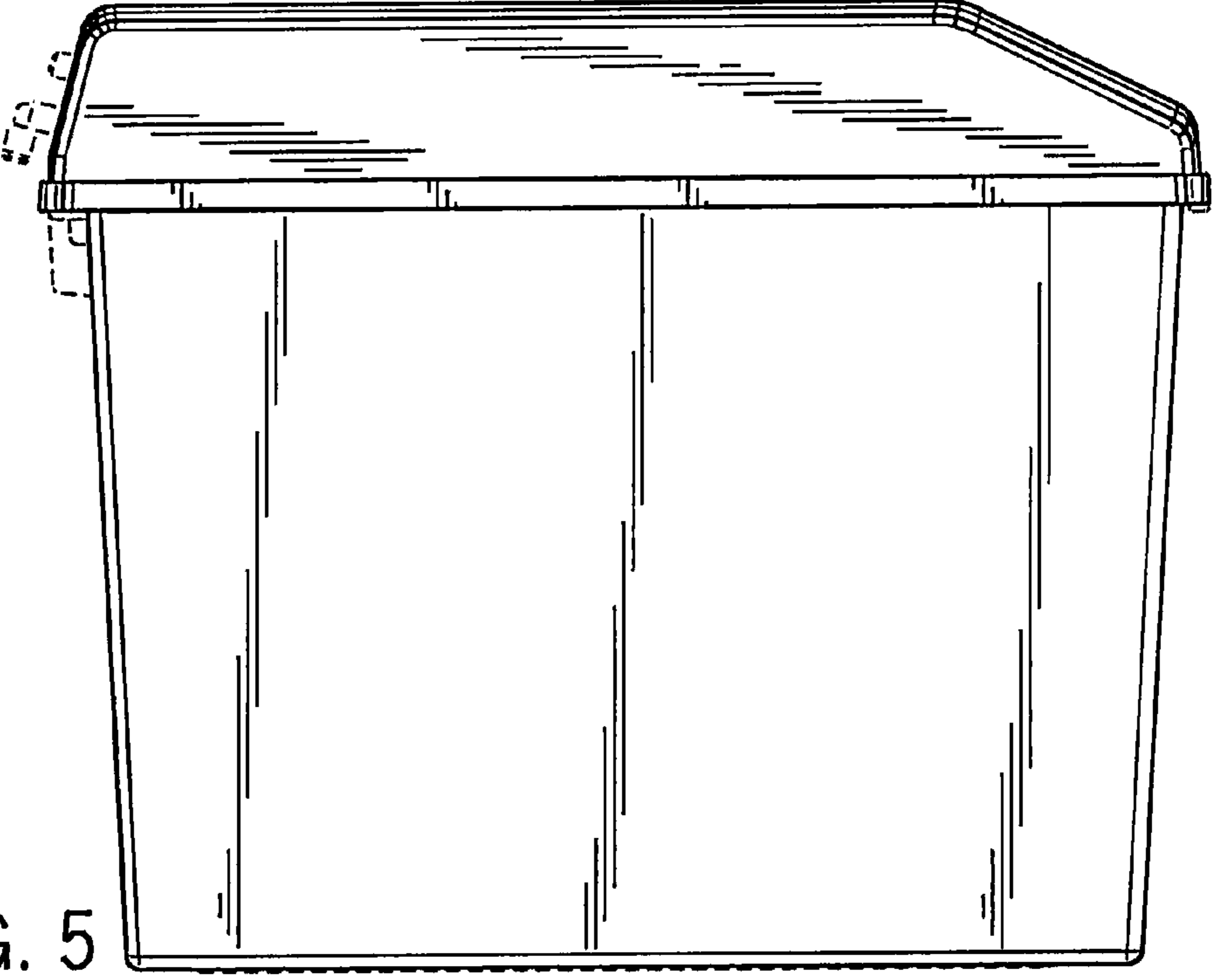
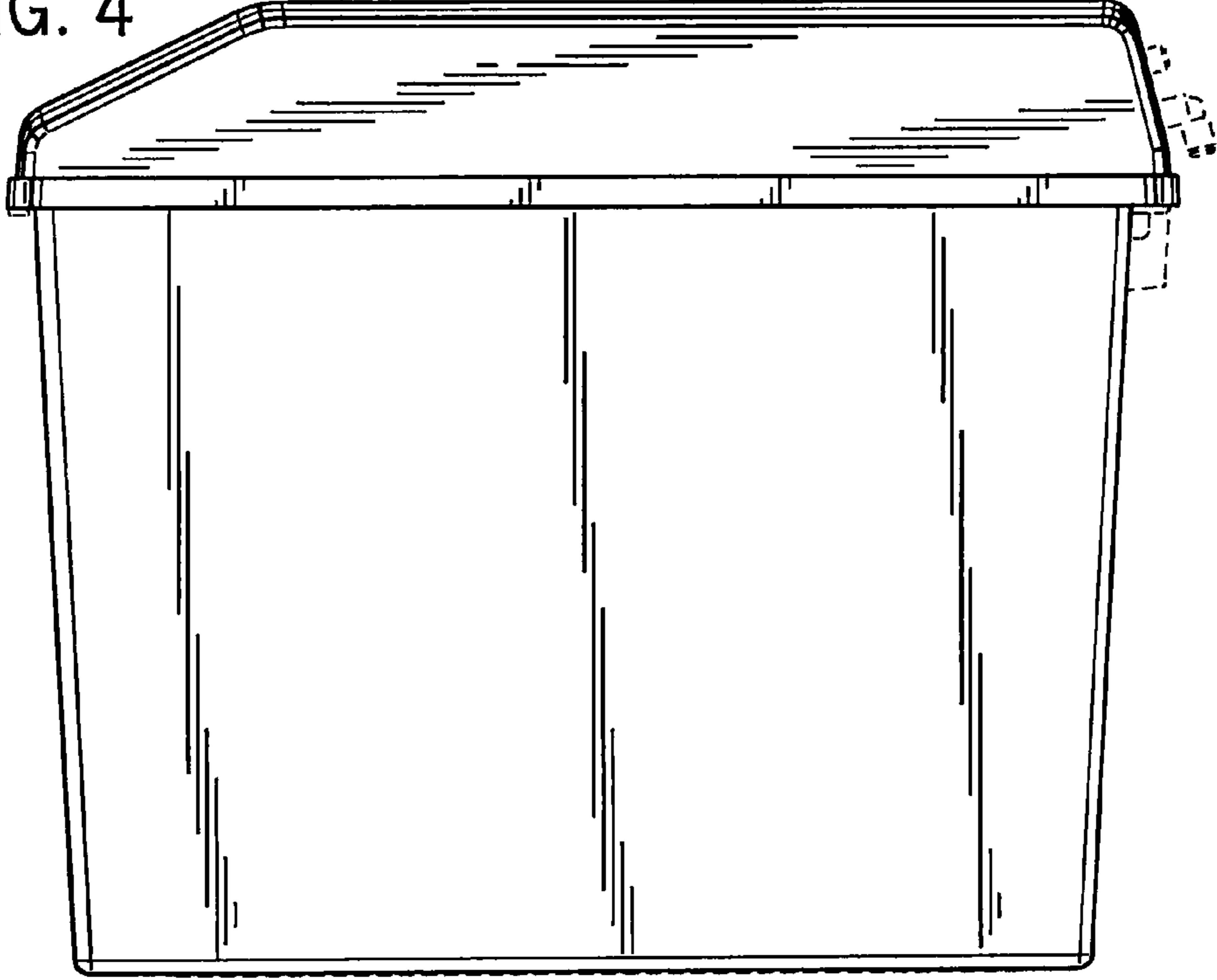


FIG. 5

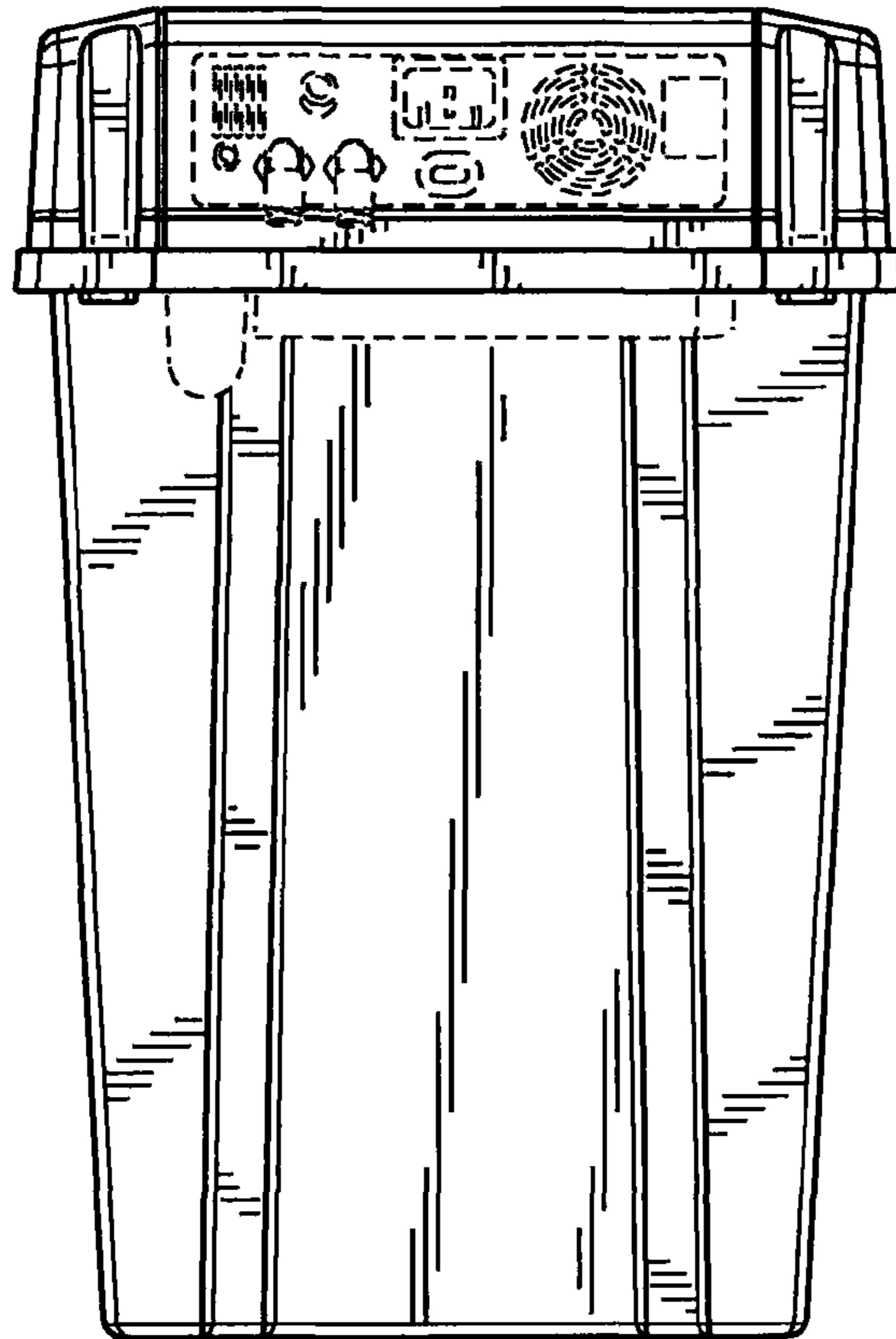


FIG. 6

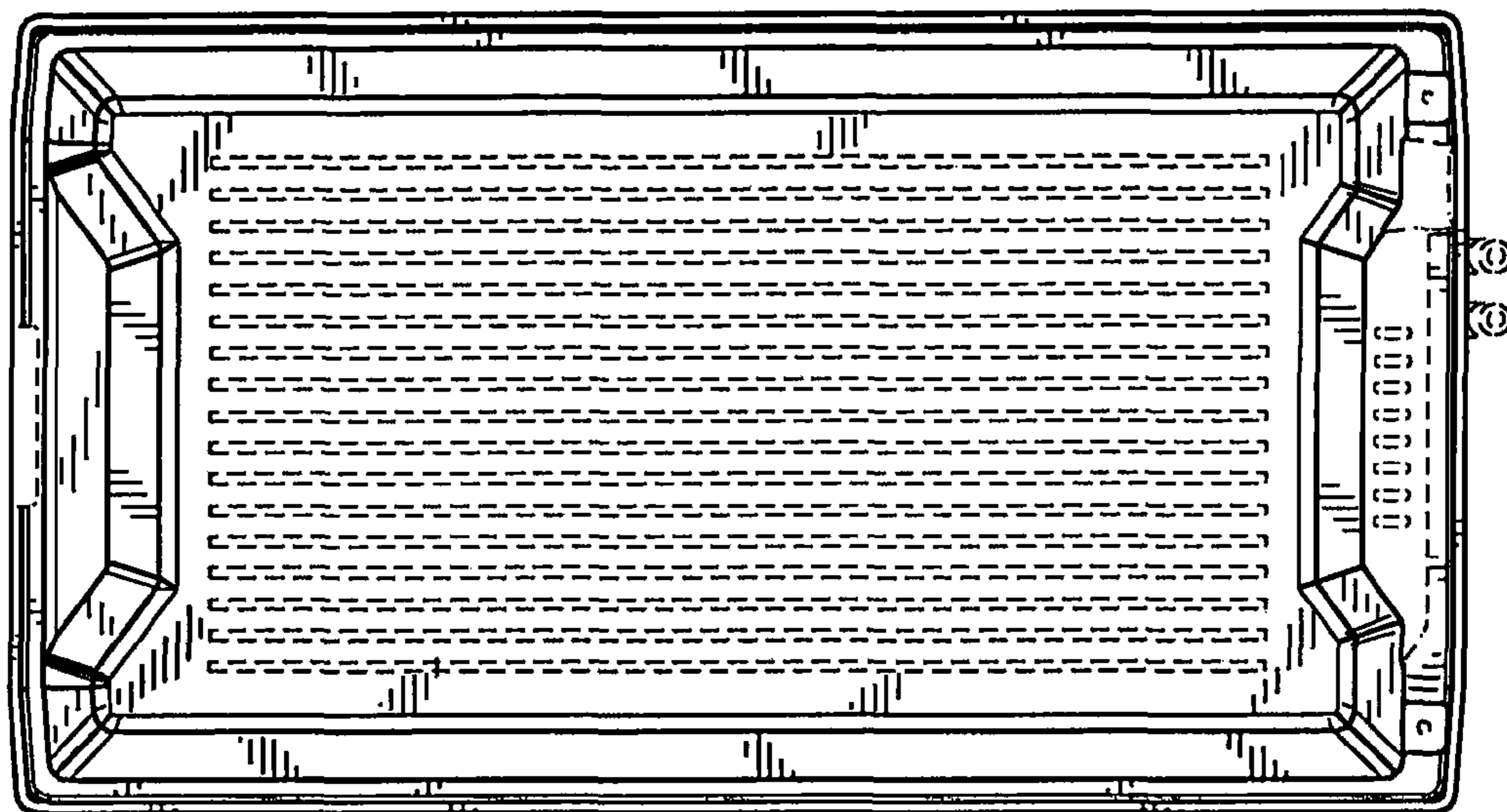


FIG. 7