



US00D689015S

(12) **United States Design Patent**  
**Hawkins**

(10) **Patent No.:** **US D689,015 S**

(45) **Date of Patent:** **\*\* Sep. 3, 2013**

(54) **IONIC GROWER**

(75) Inventor: **Victor J. Hawkins**, Castle Rock, CO  
(US)

(73) Assignee: **iGreen, LLC**, Denver, CO (US)

(\*\*) Term: **14 Years**

(21) Appl. No.: **29/422,704**

(22) Filed: **May 23, 2012**

(51) **LOC (9) Cl.** ..... **13-02**

(52) **U.S. Cl.**  
USPC ..... **D13/102**

(58) **Field of Classification Search**  
USPC ..... D13/102, 101, 184, 199; D7/312,  
D7/318, 322; D15/10; D26/41, 118;  
136/243–252, 257; 244/172.7, 172.8;  
422/255, 265  
See application file for complete search history.

(56) **References Cited**

U.S. PATENT DOCUMENTS

5,053,205 A \* 10/1991 Taylor et al. .... 422/265  
D420,973 S \* 2/2000 Kalarney ..... D13/102

D435,997 S \* 1/2001 Leo et al. .... D7/322  
D562,224 S \* 2/2008 Bonnaud ..... D13/102  
D575,223 S \* 8/2008 Piper ..... D13/102  
D621,536 S \* 8/2010 Lee ..... D26/41  
D652,374 S \* 1/2012 Mercer ..... D13/102

\* cited by examiner

*Primary Examiner* — Derrick Holland

(74) *Attorney, Agent, or Firm* — HolzerIPLaw, PC

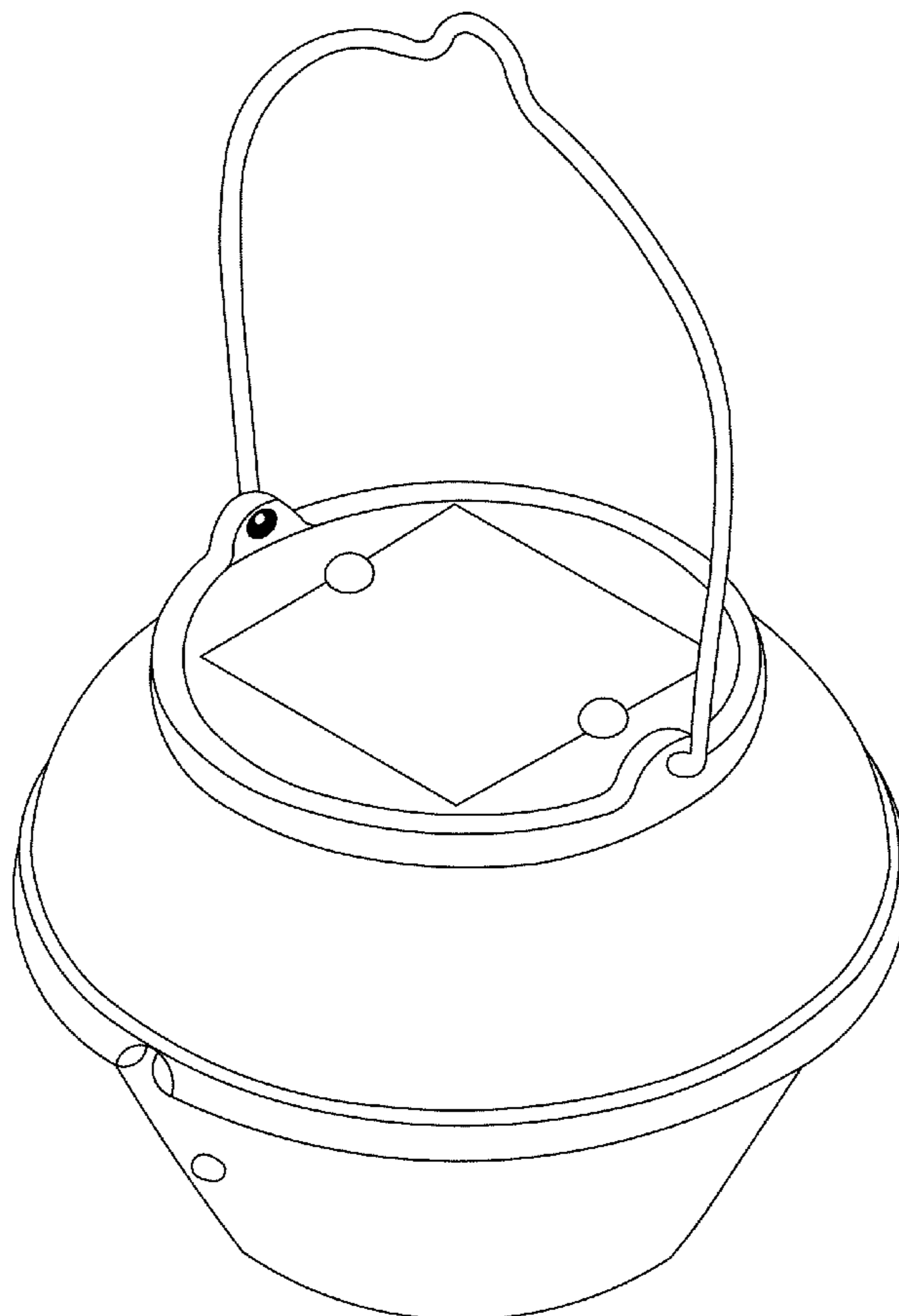
(57) **CLAIM**

I claim the ornamental design for an ionic grower, as shown and described.

**DESCRIPTION**

FIG. 1 is a first perspective view of an ionic grower according to my new design.  
FIG. 2 is a second perspective view thereof.  
FIG. 3 is a front elevation view thereof.  
FIG. 4 is a rear elevation view thereof  
FIG. 5 is a left side elevation view thereof, the right side elevation being a mirror image.  
FIG. 6 is a top plan view thereof; and,  
FIG. 7 is a bottom plan view thereof.

**1 Claim, 7 Drawing Sheets**



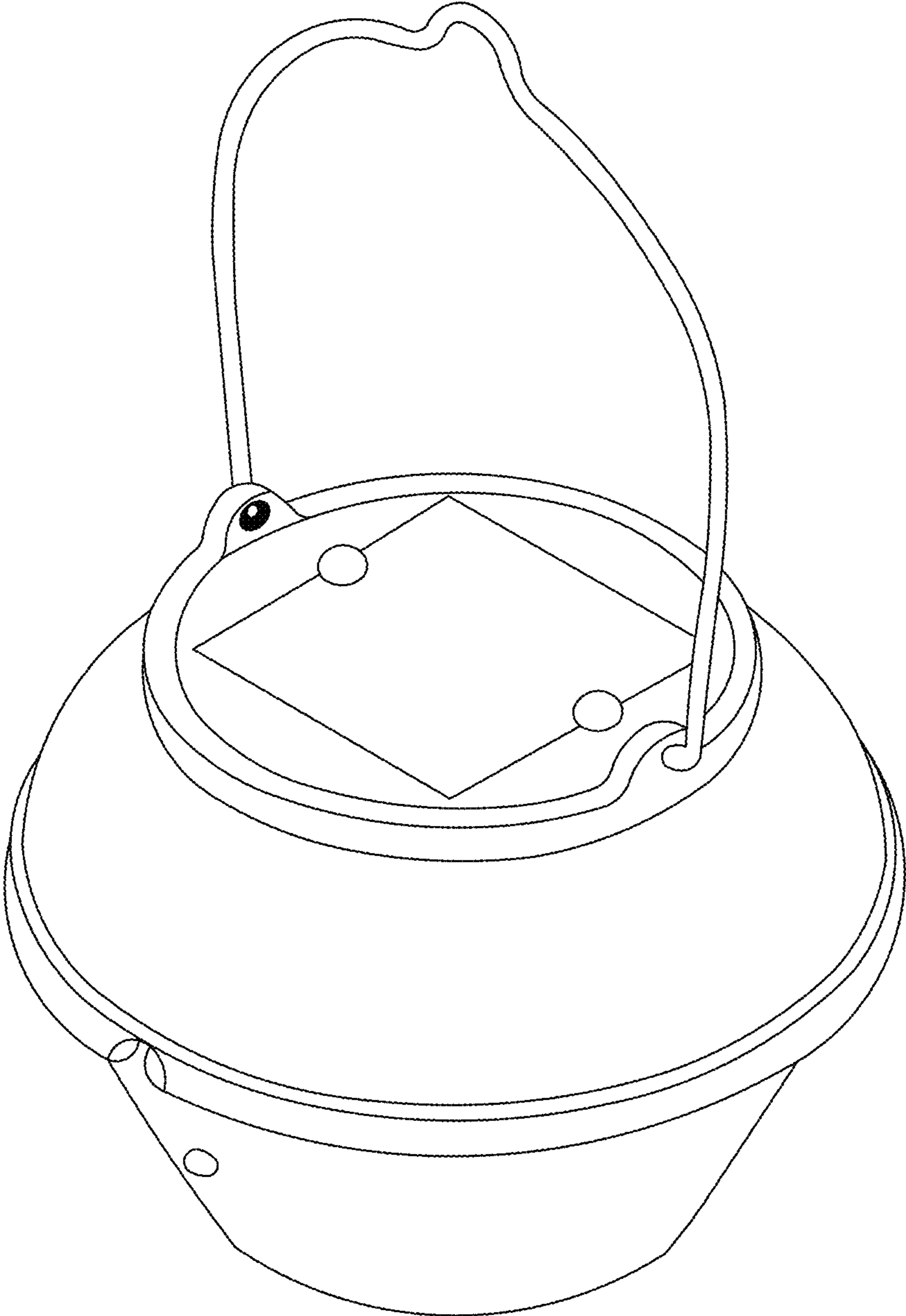


FIG. 1

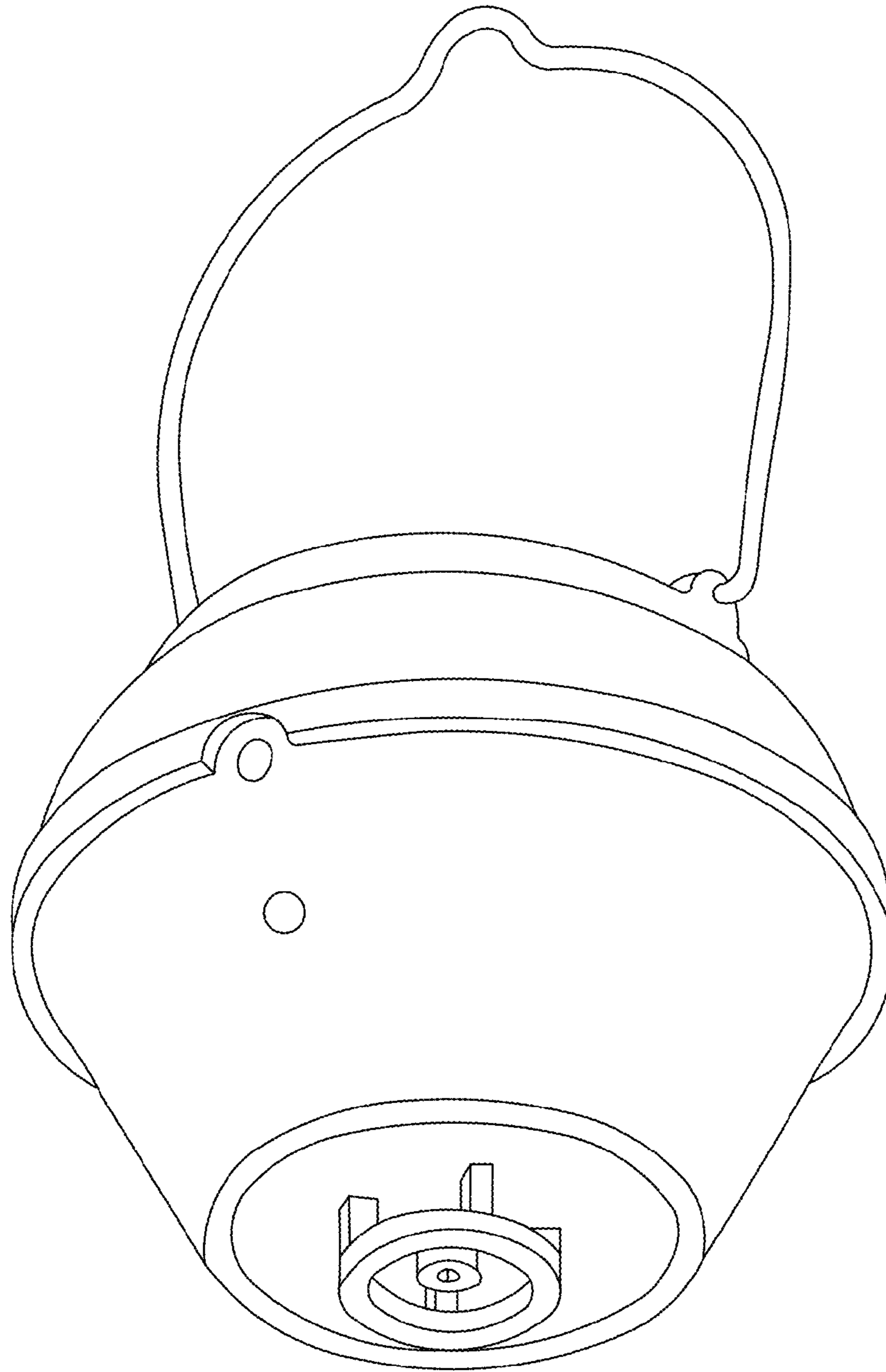


FIG.2

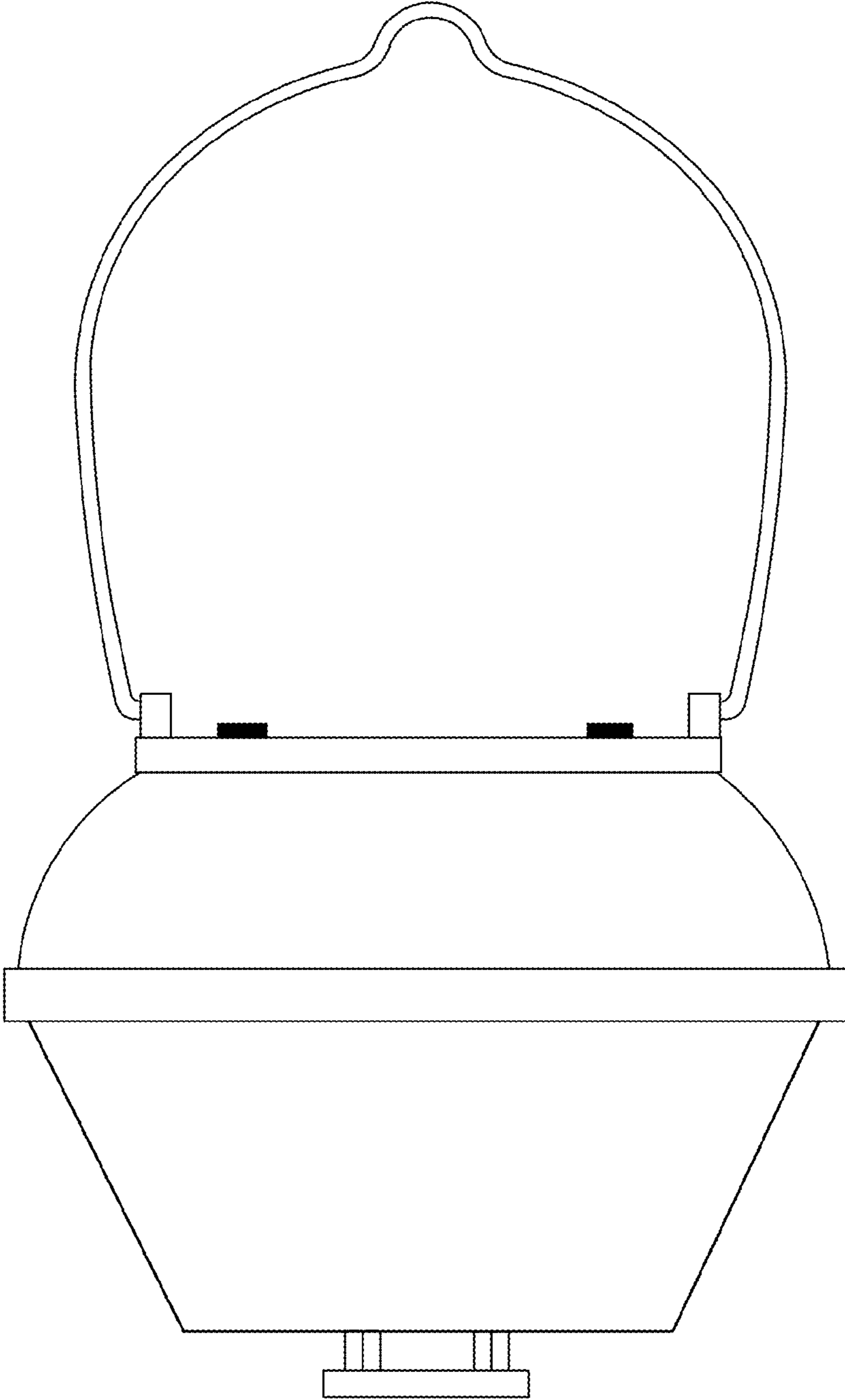


FIG.3

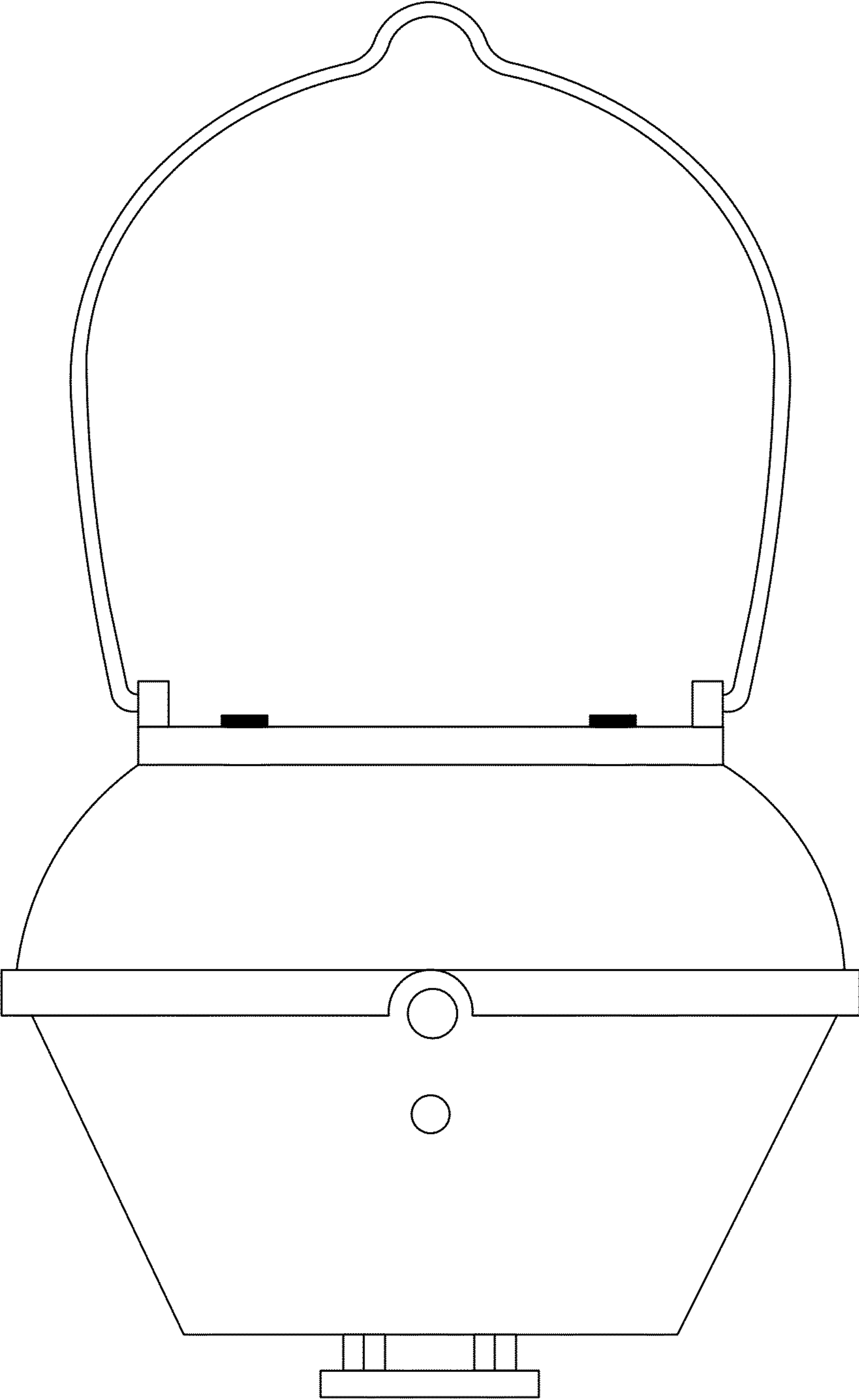


FIG. 4

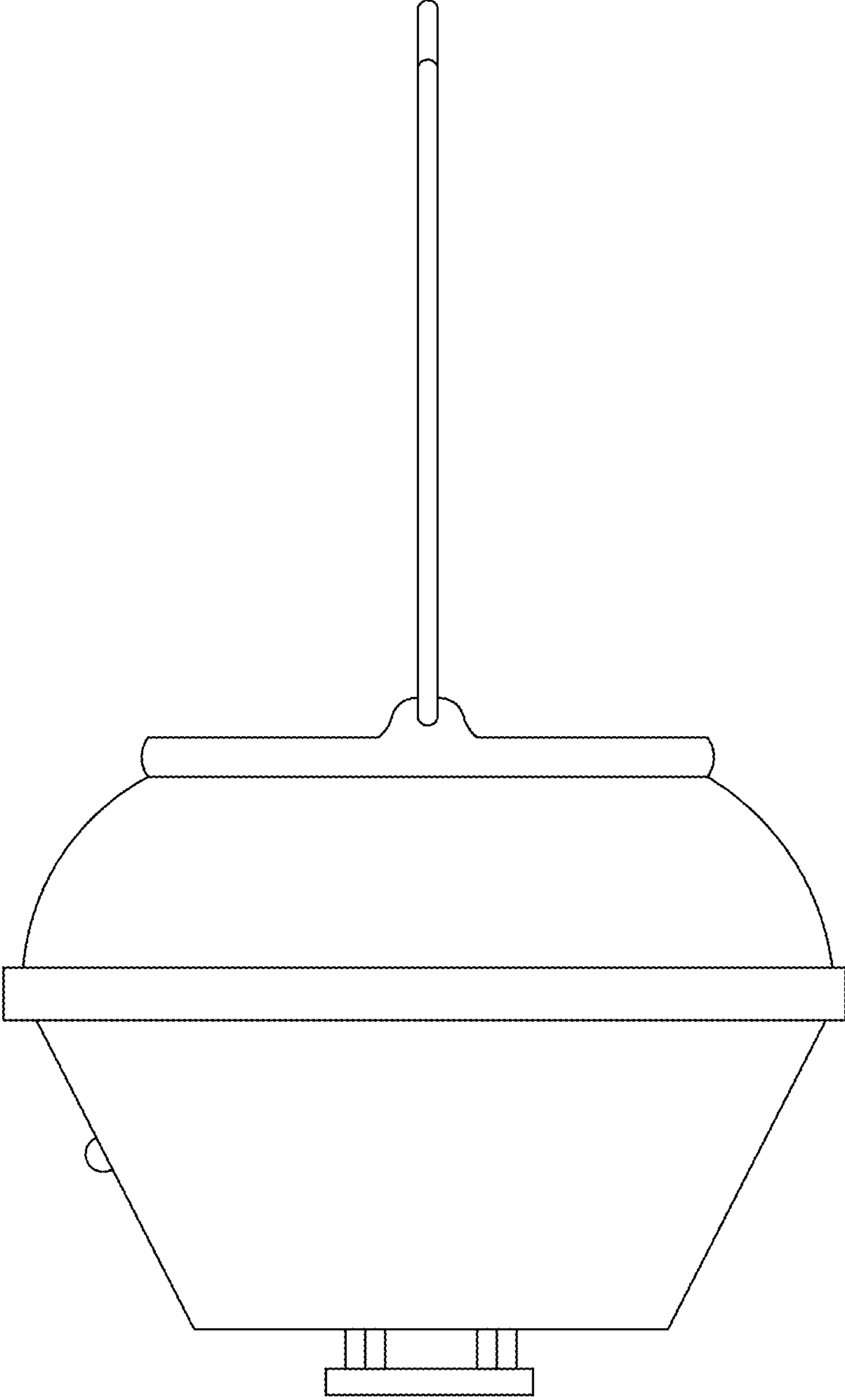


FIG. 5

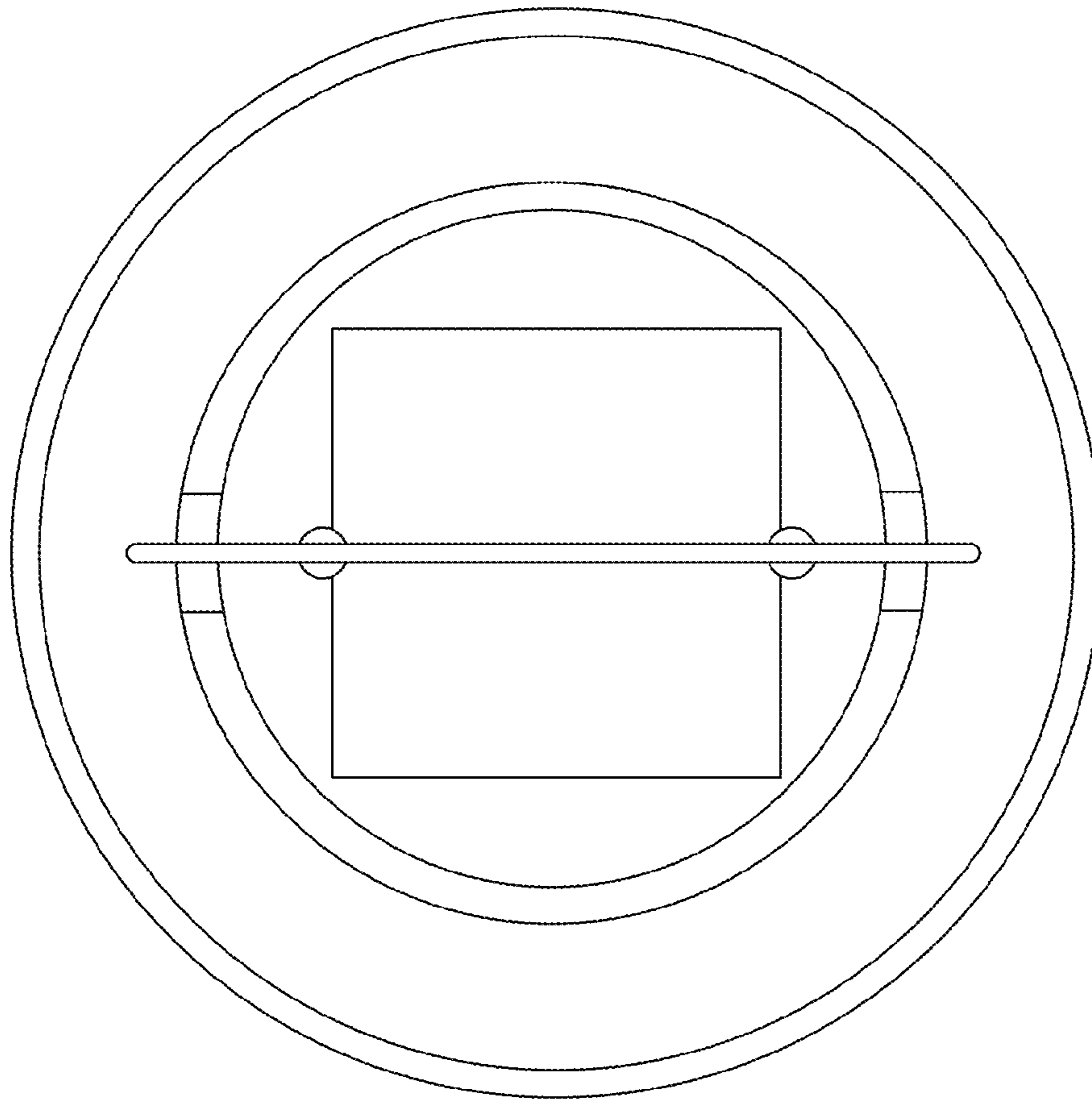


FIG.6

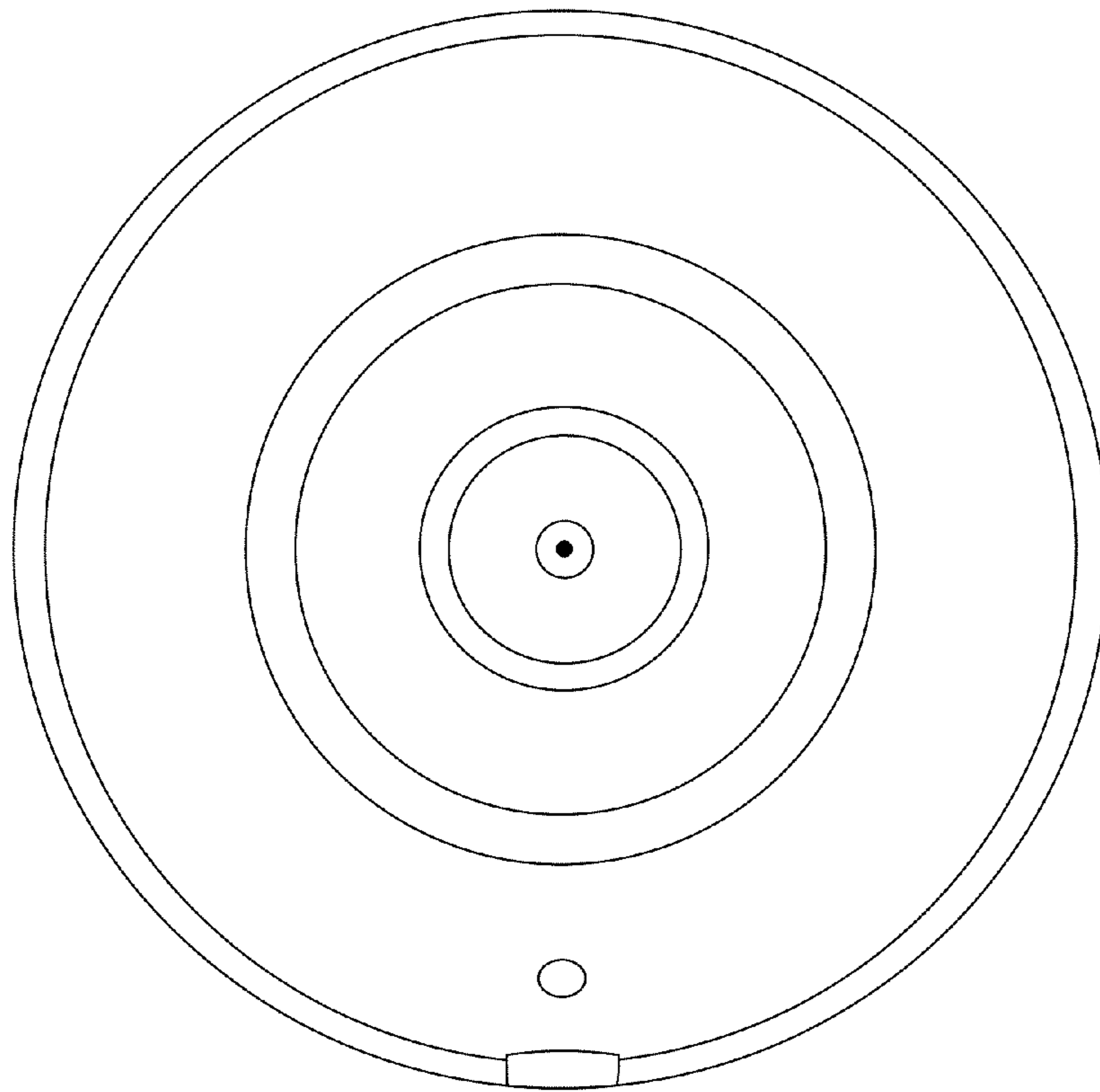


FIG. 7