



US00D689014S

(12) **United States Design Patent**
Cox

(10) **Patent No.:** **US D689,014 S**

(45) **Date of Patent:** **** Sep. 3, 2013**

(54) **TIRE TRACTION DEVICE**

(71) Applicant: **John L. Cox**, Tomah, WI (US)

(72) Inventor: **John L. Cox**, Tomah, WI (US)

(**) Term: **14 Years**

(21) Appl. No.: **29/447,267**

(22) Filed: **Mar. 1, 2013**

(51) **LOC (9) Cl.** **12-15**

(52) **U.S. Cl.**
USPC **D12/608**

(58) **Field of Classification Search**

USPC D12/500-501, 604, 608, 400; 152/64,
152/110, 164, 179, 187, 216-218, 221-222,
152/226, 231, 239, 243; D8/499, 44; 301/41.1,
301/42, 43; 305/19, 41, 185, 187, 189, 191
See application file for complete search history.

(56) **References Cited**

U.S. PATENT DOCUMENTS

2,533,151	A *	12/1950	Stevens	152/222
D268,104	S *	3/1983	Lew	D12/608
D286,524	S *	11/1986	Hardmark	D12/608
4,716,949	A *	1/1988	Lee	152/216
D305,631	S *	1/1990	Hino	D12/608
D323,312	S *	1/1992	Tandy	D12/608
5,454,412	A *	10/1995	Bowers	152/221
D394,832	S *	6/1998	Fu	D12/608
6,708,746	B2 *	3/2004	Wilkinson	152/221

7,198,084	B2 *	4/2007	Riemer et al.	152/221
D554,578	S *	11/2007	Roed	D12/608
D559,173	S *	1/2008	Roed	D12/608
D597,481	S *	8/2009	Toren	D12/608

* cited by examiner

Primary Examiner — Stacia Cadmus

(74) *Attorney, Agent, or Firm* — Dale J. Ream

(57) **CLAIM**

The ornamental design for a tire traction device, as shown and described.

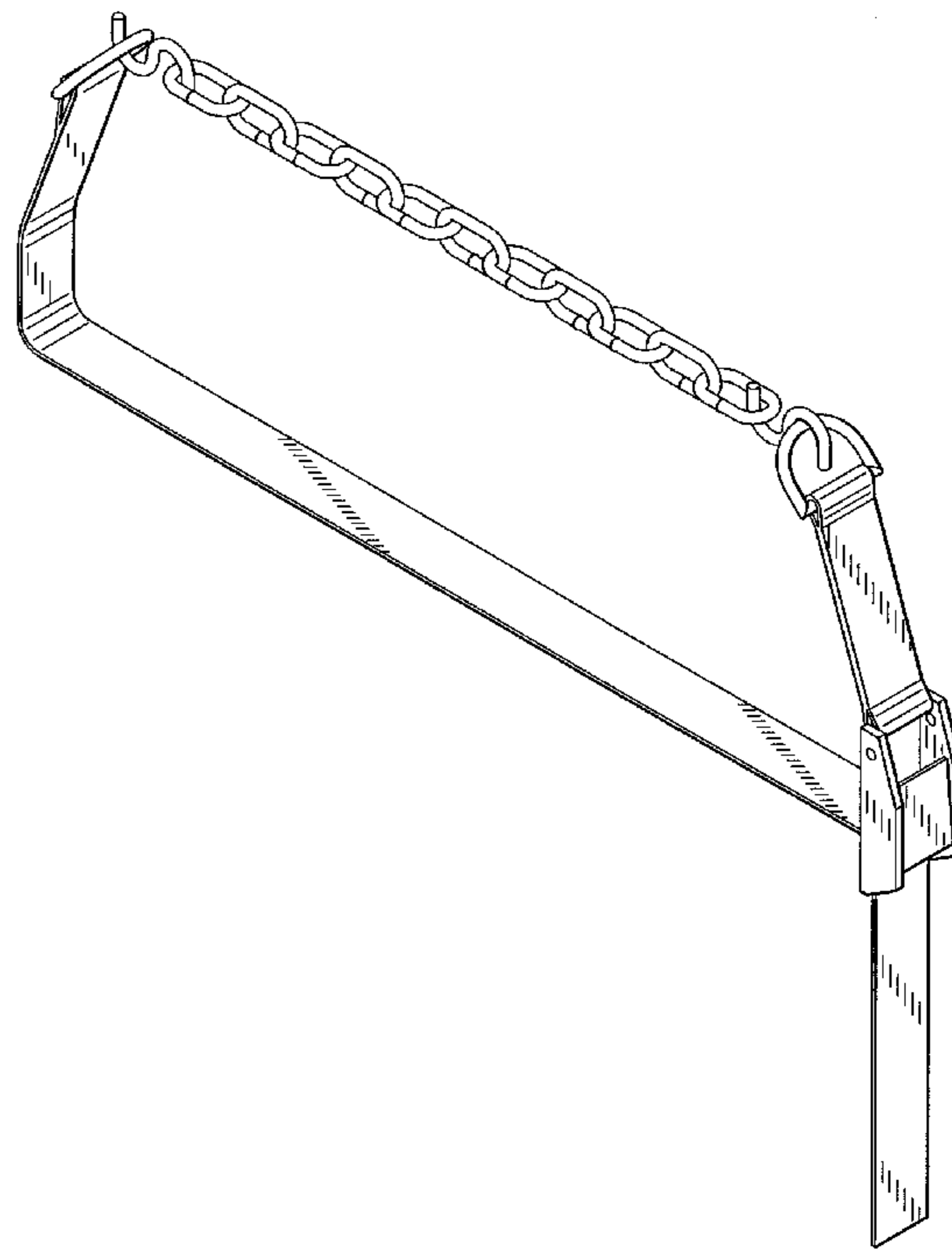
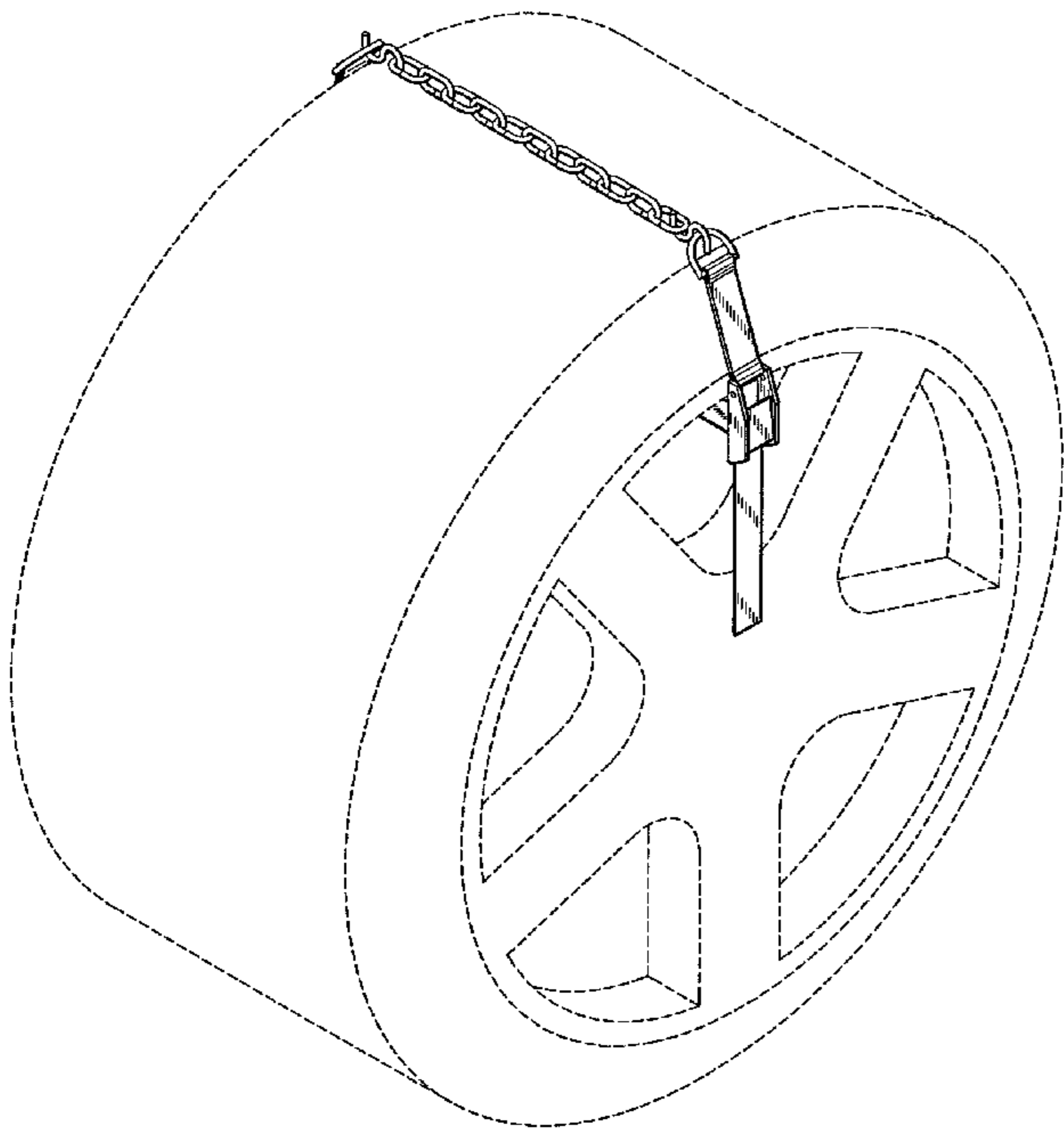
DESCRIPTION

FIG. 1 is a perspective view of a tire traction device showing my new design in use with a tire and wheel combination; FIG. 2 is a perspective view of a tire traction device removed from the tire and wheel combination; FIG. 3 is a front view thereof; FIG. 4 is a back view thereof; FIG. 5 is a left side view thereof; FIG. 6 is a right side view thereof; FIG. 7 is a top view thereof; and, FIG. 8 is a bottom view thereof.

In the drawings, the broken lines showing a tire and wheel combination illustrate environment and form no part of the claimed design.

The tire traction device is shown on an enlarged scale in FIGS. 2-8.

1 Claim, 5 Drawing Sheets



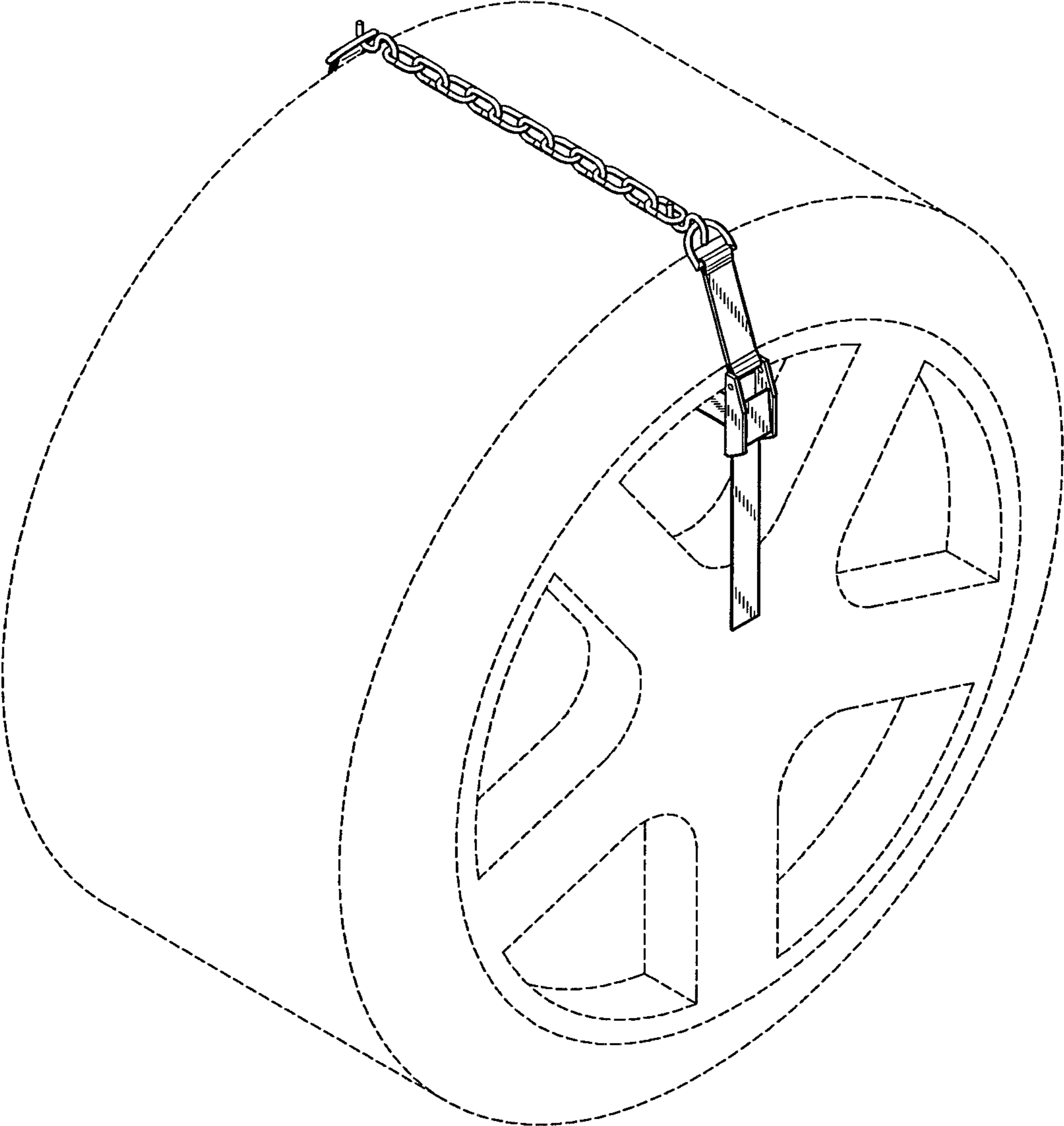


FIG. 1

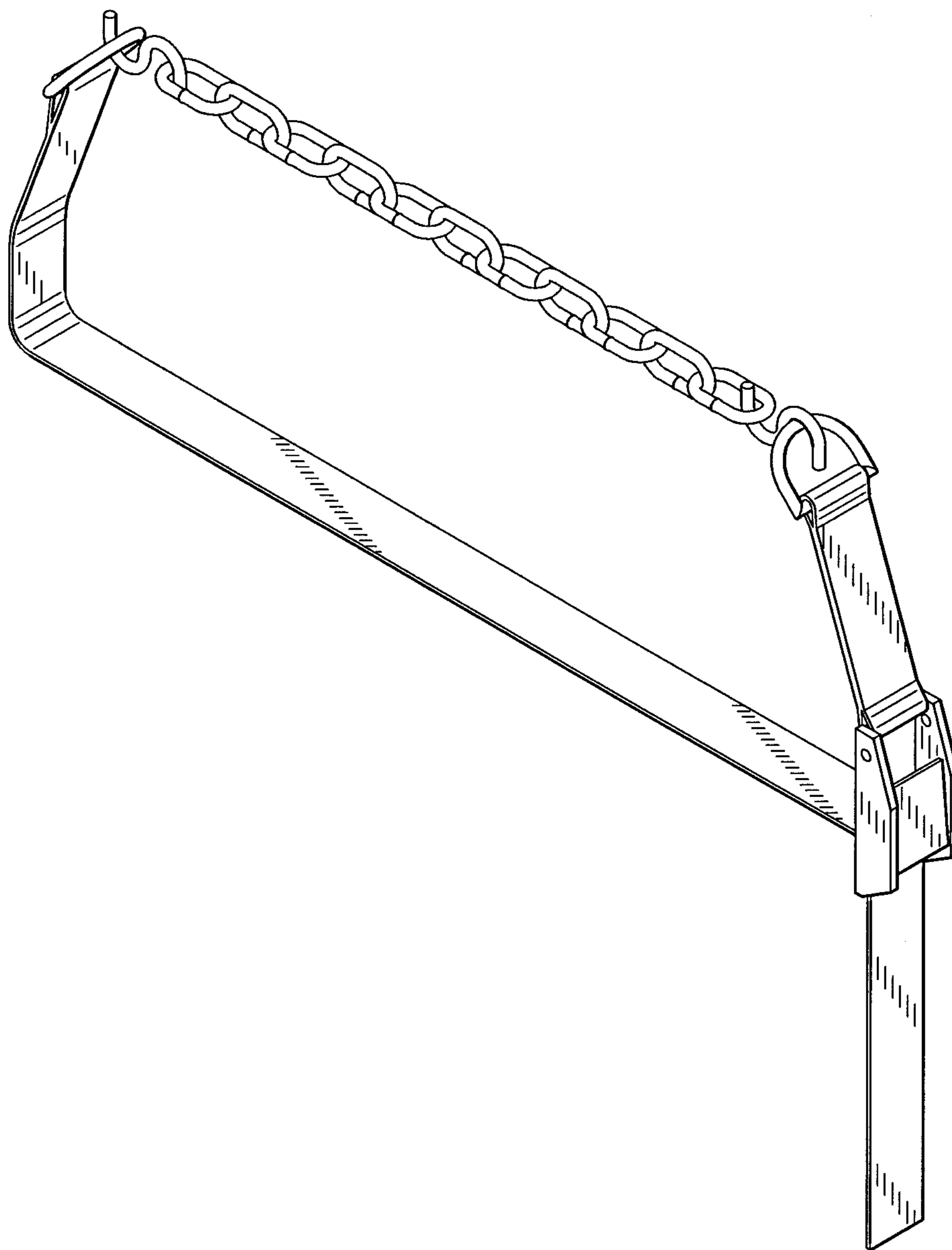


FIG. 2

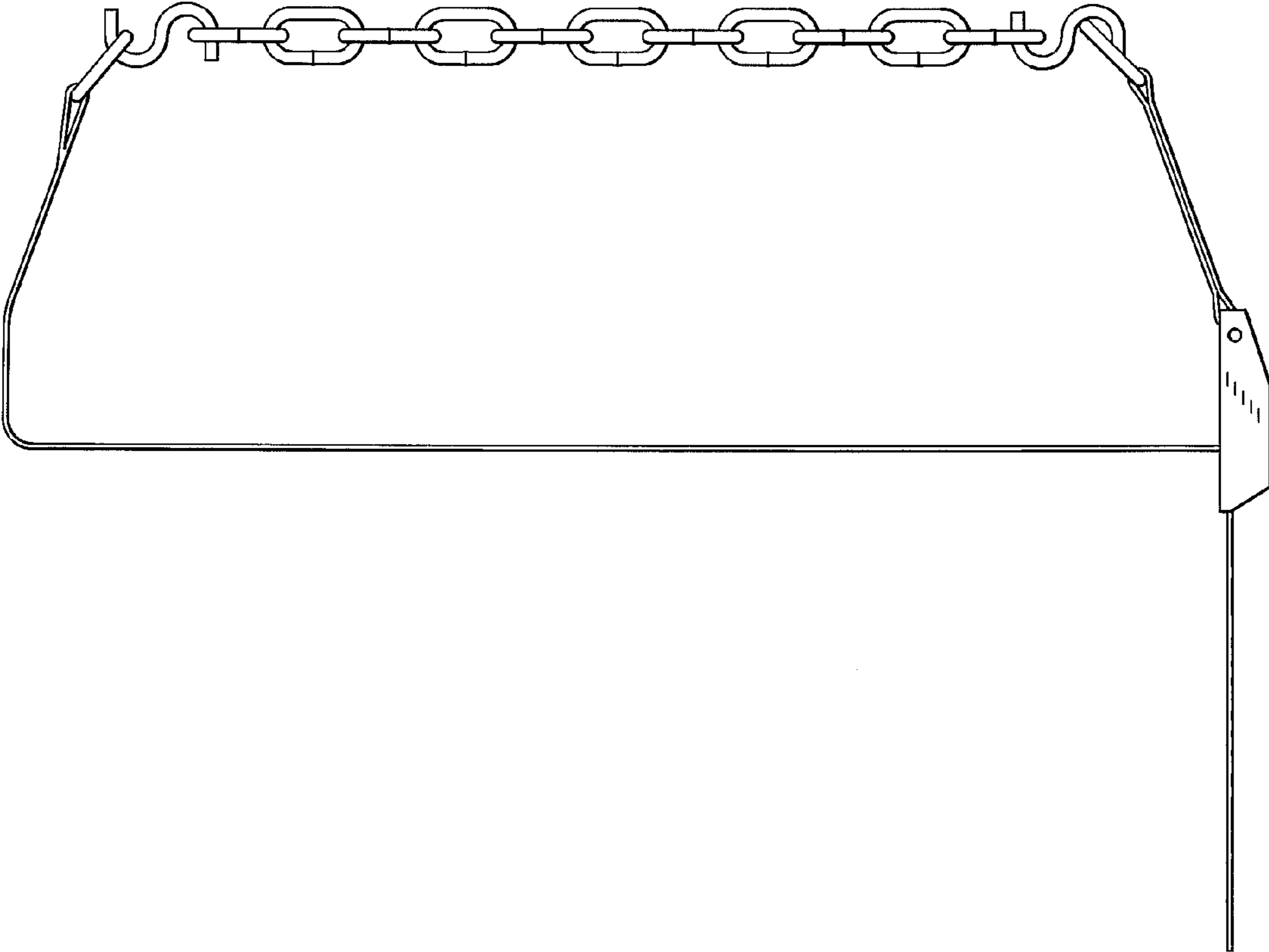


FIG. 3

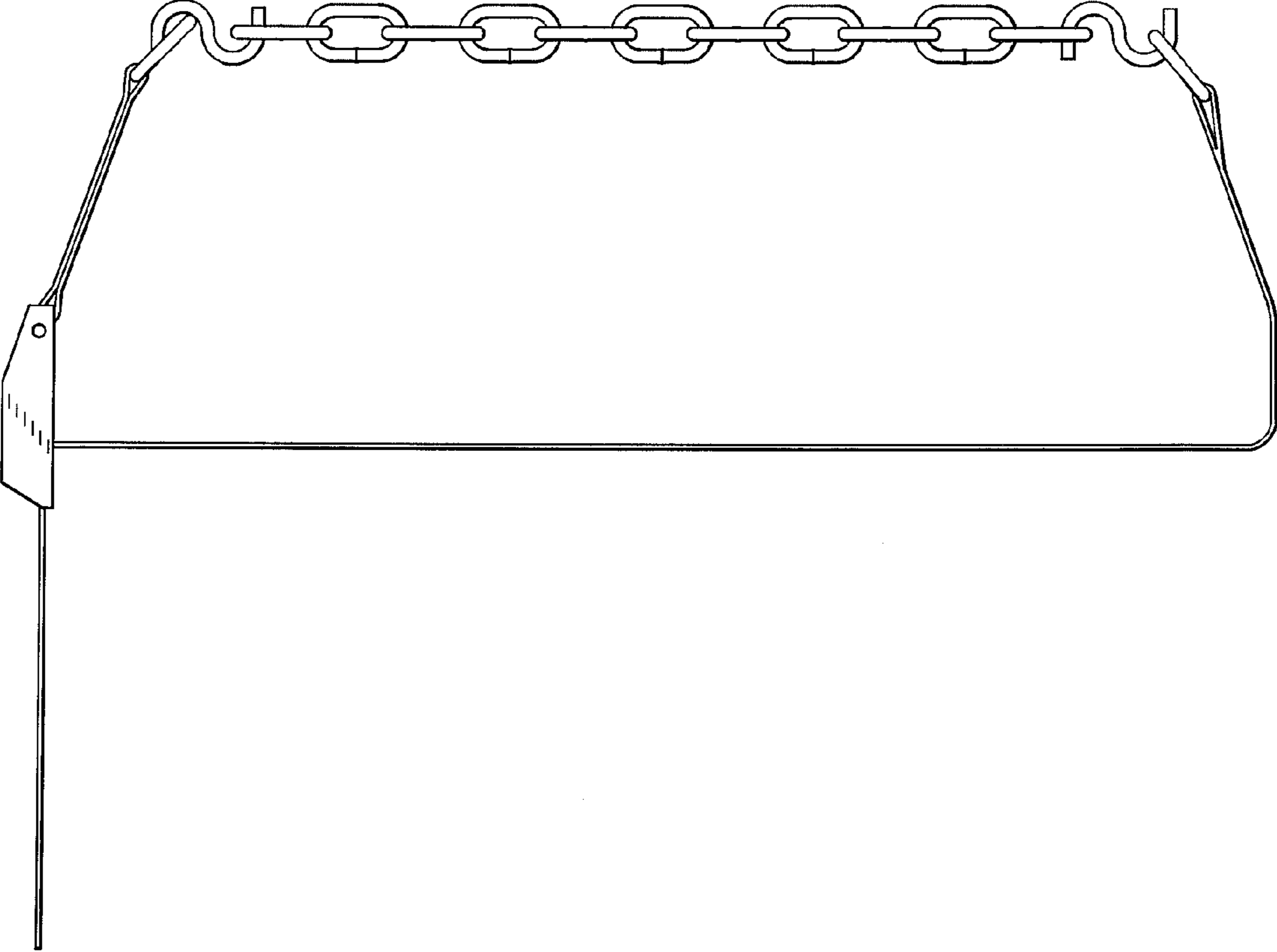


FIG. 4

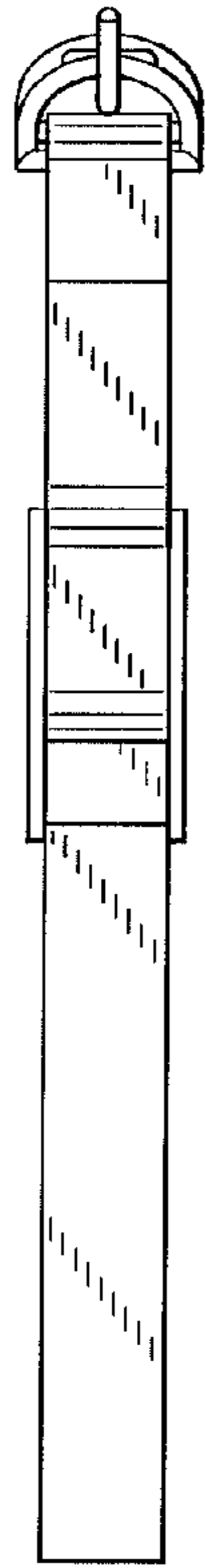


FIG. 5

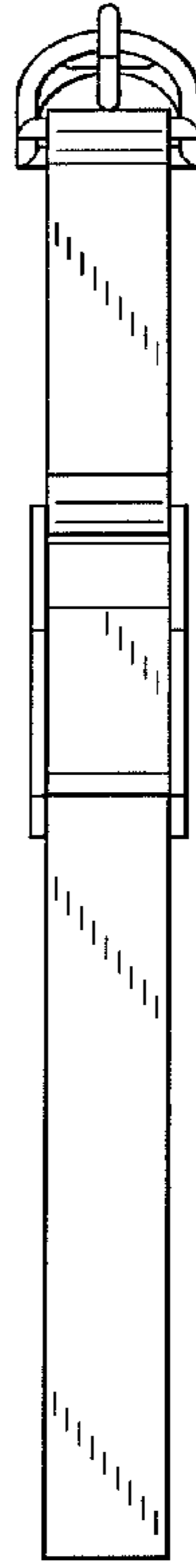


FIG. 6

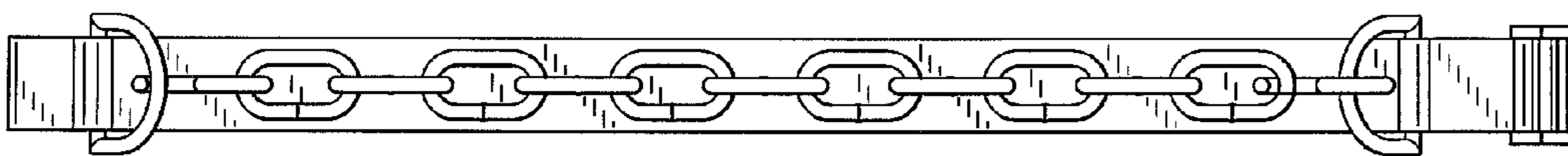


FIG. 7

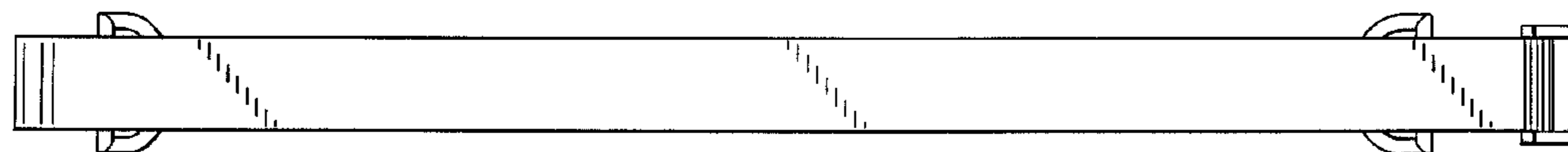


FIG. 8