



US00D689012S

(12) **United States Design Patent**
Kuschmeader

(10) **Patent No.:** **US D689,012 S**
(45) **Date of Patent:** **** Sep. 3, 2013**

(54) **BICYCLE FORK MOUNT**

(71) Applicant: **Luke Kuschmeader**, Springfield, MO
(US)

(72) Inventor: **Luke Kuschmeader**, Springfield, MO
(US)

(**) Term: **14 Years**

(21) Appl. No.: **29/443,596**

(22) Filed: **Jan. 18, 2013**

(51) **LOC (9) Cl.** **12-11**

(52) **U.S. Cl.**
USPC **D12/408**

(58) **Field of Classification Search**
USPC D12/406-408; 280/202, 293, 304.5;
224/400, 403, 412, 419, 424-426, 488, 489,
224/309, 42.11, 924; 211/17, 22, 182; D8/300,
D8/307, 313

See application file for complete search history.

(56) **References Cited**

U.S. PATENT DOCUMENTS

6,036,069	A	3/2000	Sayegh	
6,167,735	B1 *	1/2001	Brown	70/19
6,494,351	B1 *	12/2002	Dean	224/324
6,758,380	B1 *	7/2004	Kolda	224/315
7,757,914	B2	7/2010	Book et al.	
D653,193	S *	1/2012	Chisholm	D12/408

OTHER PUBLICATIONS

Rocky Mount model 1084, 15/20 mm bicycle fork mount, Rocky Mounts, 2055 26th St., Boulder, CO 80302, Jan. 17, 2017.

Model Origin 8, 5/20 mm bicycle fork mount, J&B Importers, Inc., 11925 SW 128th St., Miami, FL 33186, Jan. 17, 2017.

Comparison of Rocky Mounts RKY013 and Swagman S64700, available at bicycle dealers, Jan. 17, 2017.

Comparison of Rocky Mounts RKY013 and Yakima Y01117, available at bicycle dealers, Jan. 17, 2017.

* cited by examiner

Primary Examiner — Susan M Lee

Assistant Examiner — Linda Brooks

(74) *Attorney, Agent, or Firm* — Richard L. Marsh

(57) **CLAIM**

The ornamental design for a bicycle fork mount, as shown and described.

DESCRIPTION

FIG. 1 is a right front perspective view of a bicycle fork mount showing my new design.

FIG. 2 is a front elevation view thereof.

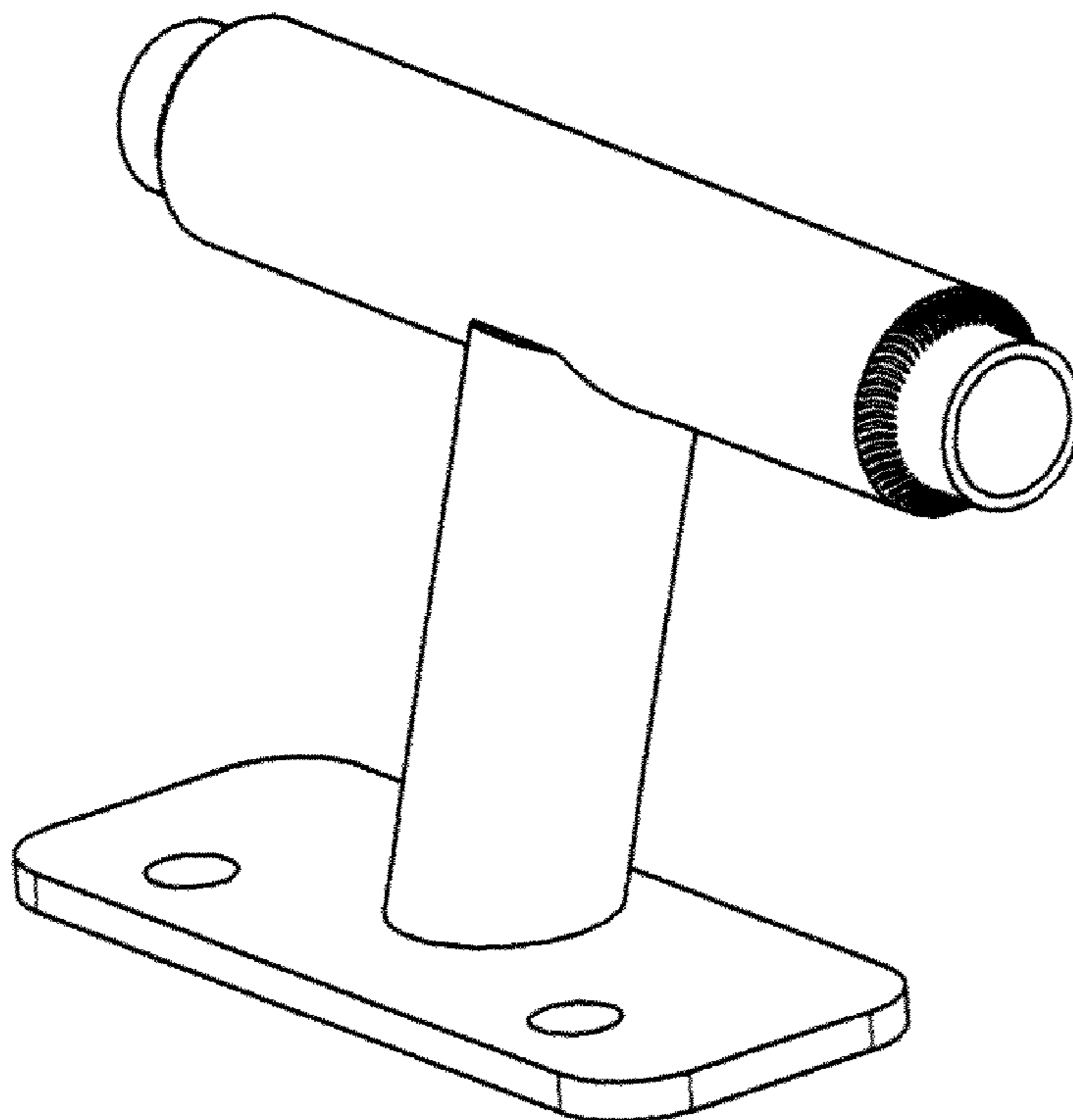
FIG. 3 is a rear elevation view thereof.

FIG. 4 is a right side elevation view thereof, the left side view a mirror image.

FIG. 5 is a top plan view thereof; and,

FIG. 6 is a bottom plan view thereof.

1 Claim, 3 Drawing Sheets



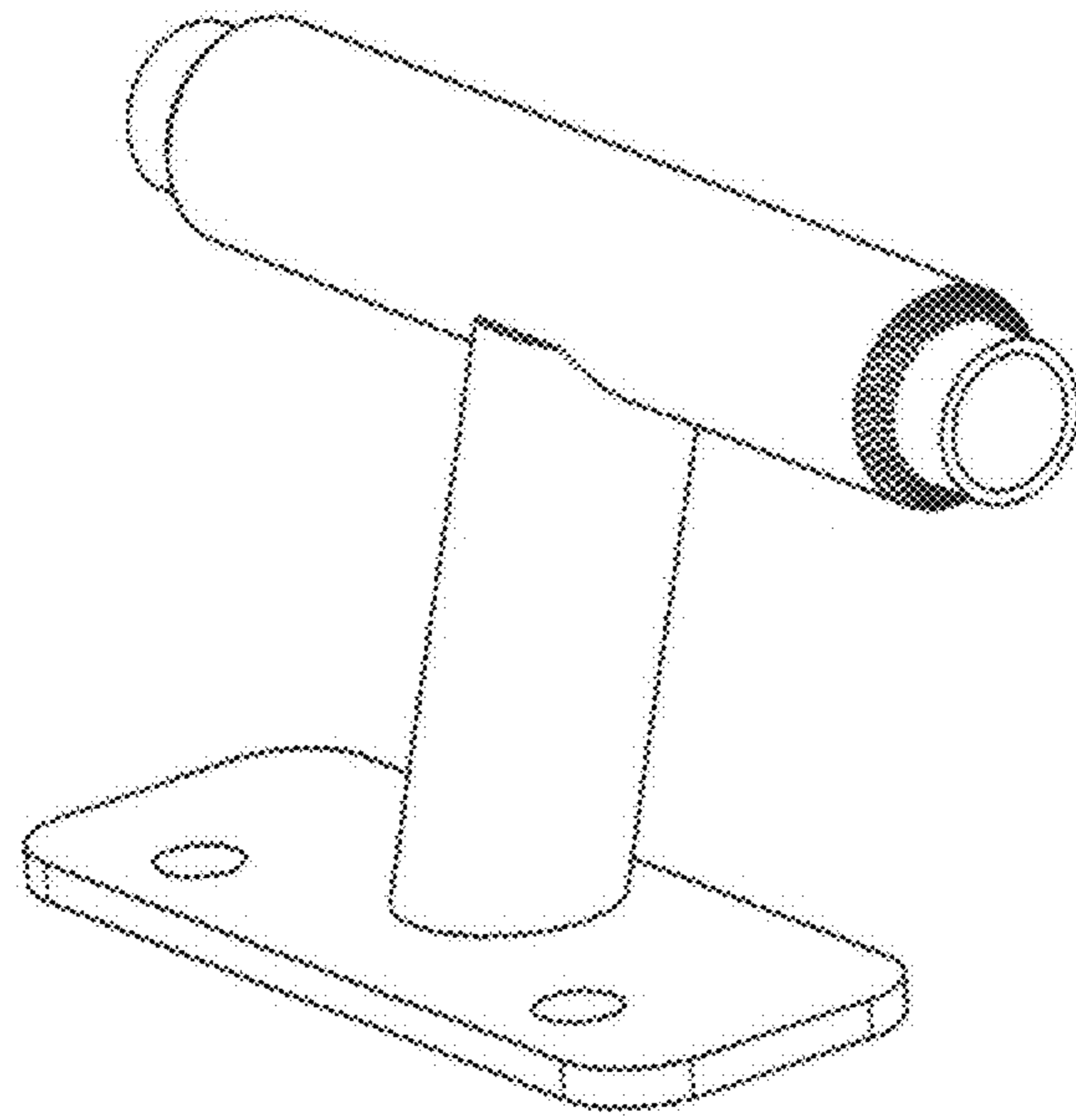


FIG. 1

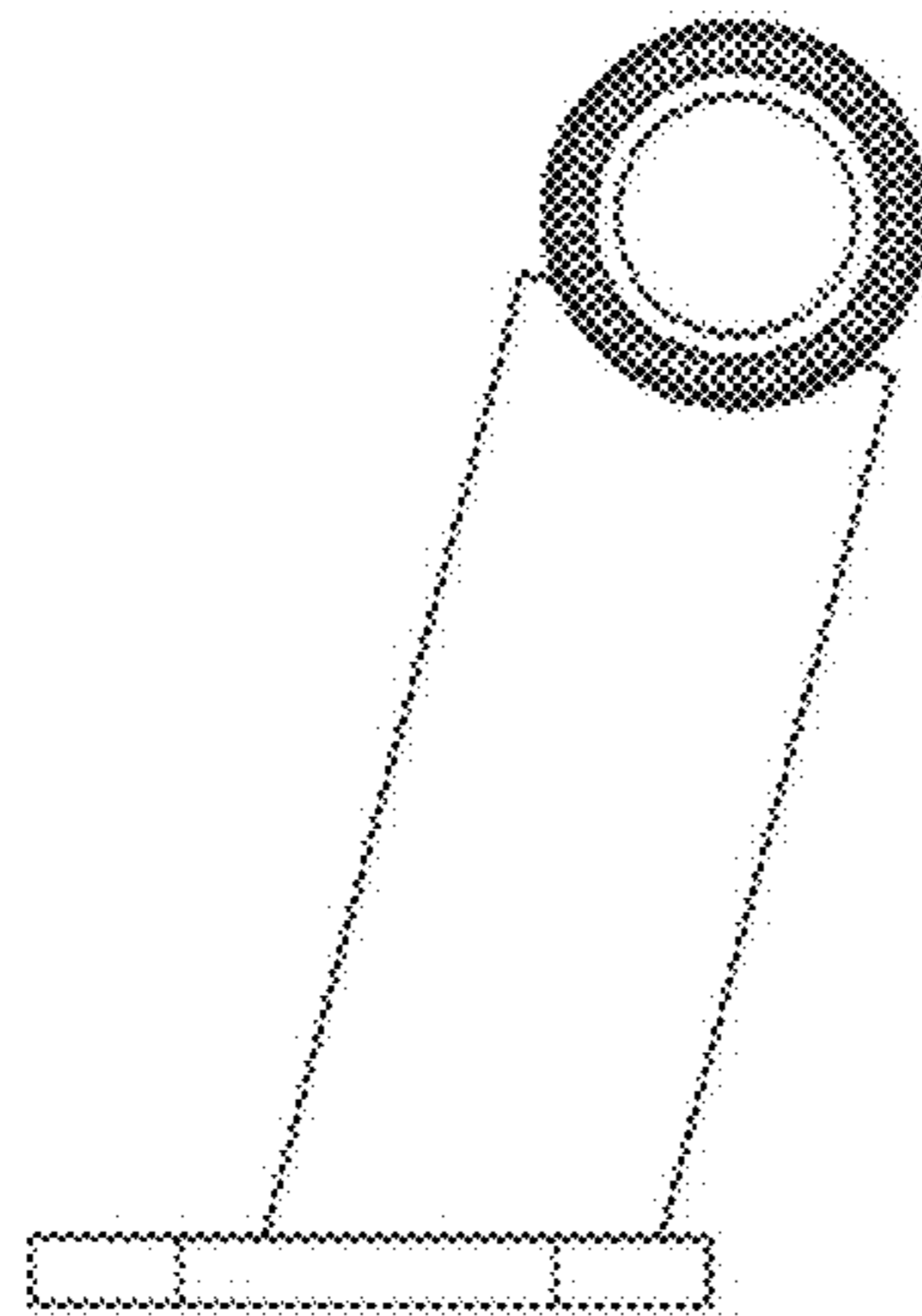


FIG. 4

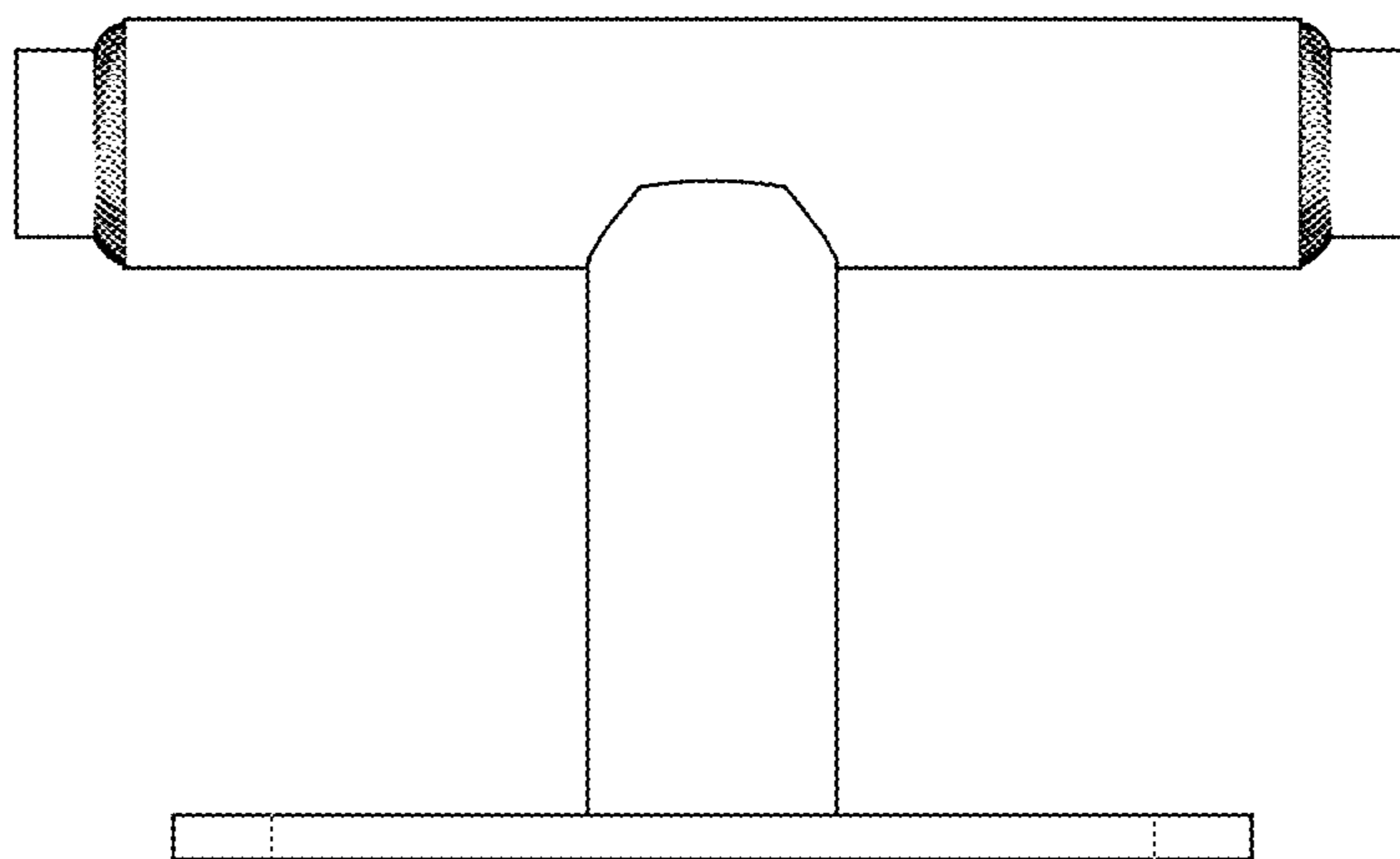


FIG. 2

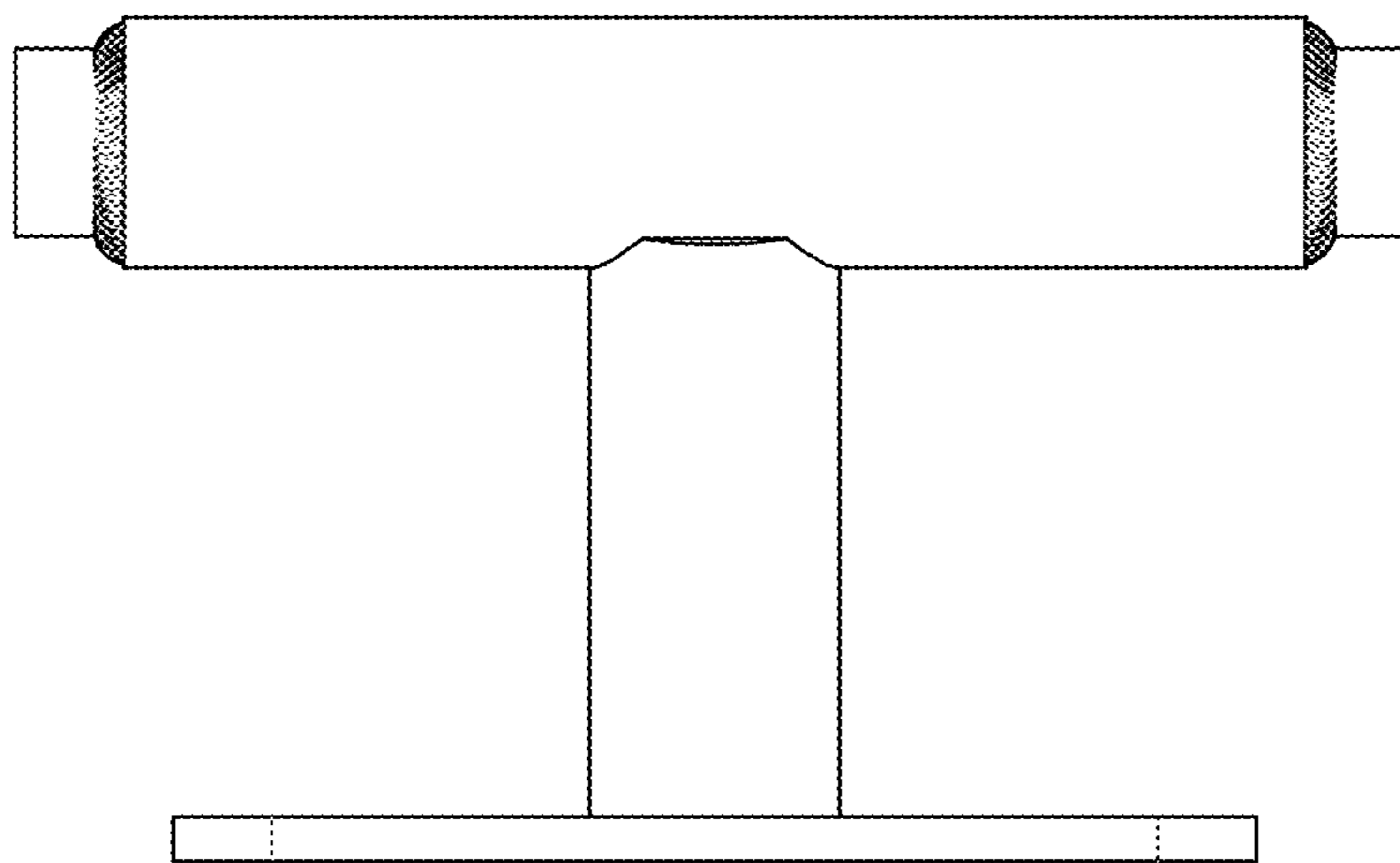


FIG. 3

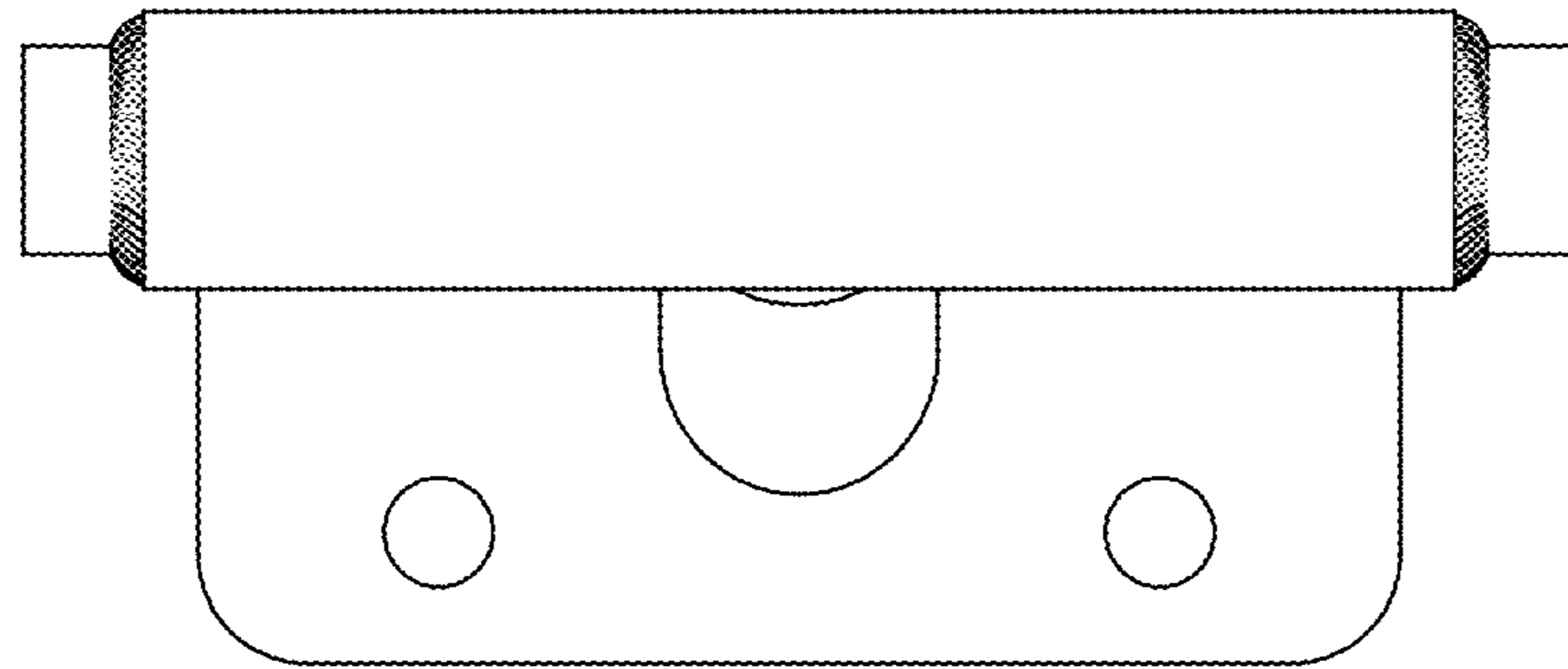


FIG. 5

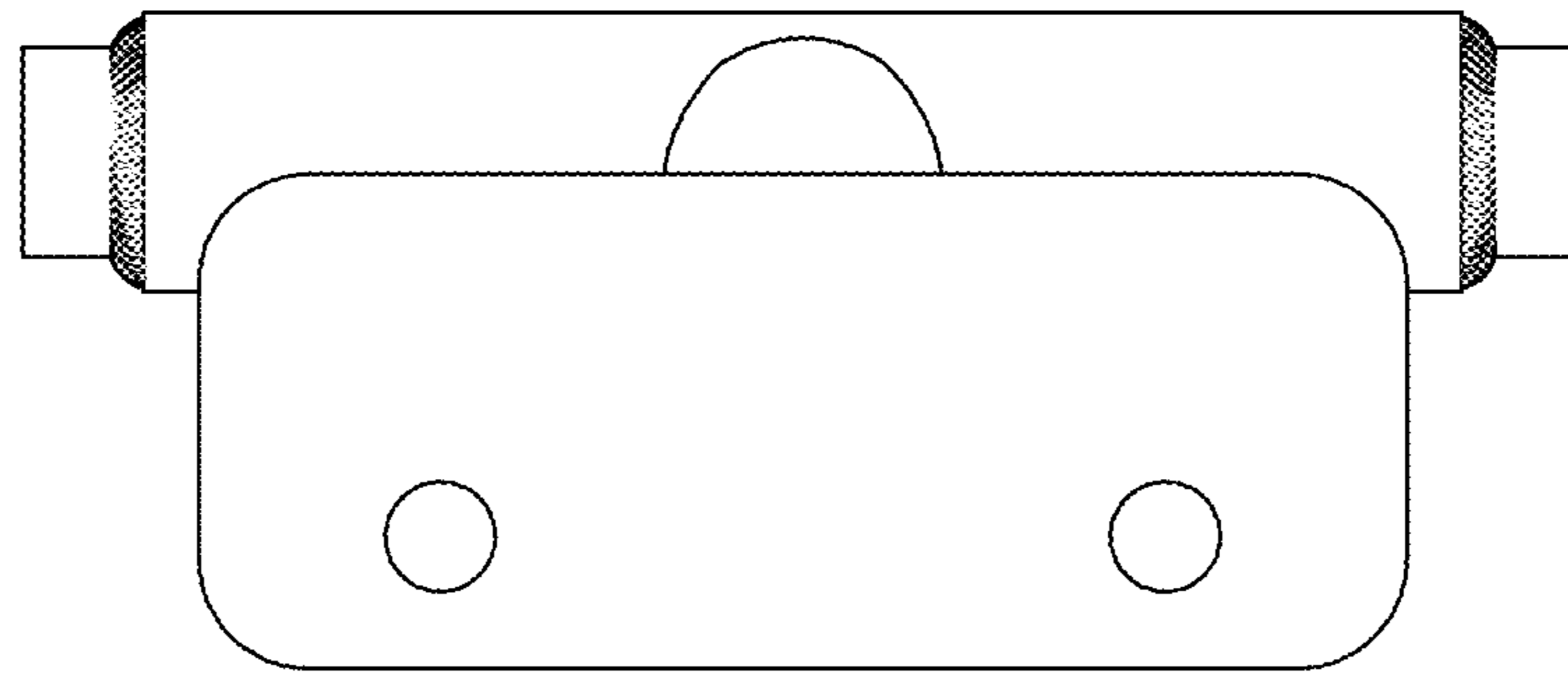


FIG. 6