



US00D689011S

(12) **United States Design Patent**  
**Isakov**

(10) **Patent No.:** **US D689,011 S**  
(45) **Date of Patent:** **\*\* Sep. 3, 2013**

- (54) **BICYCLE STORAGE CABINET**
- (76) Inventor: **Jerome Isakov**, Land O Lakes, FL (US)
- (\*\*) Term: **14 Years**
- (21) Appl. No.: **29/427,675**
- (22) Filed: **Jul. 20, 2012**
- (51) **LOC (9) Cl.** ..... **12-16**
- (52) **U.S. Cl.**  
USPC ..... **D12/402**
- (58) **Field of Classification Search**  
USPC ..... D12/401-405; 160/370.21, 370.22,  
160/370.23; 280/770; 150/158, 165-167;  
296/98, 100.01-100.18, 136.01, 136.05,  
296/136.06, 136.07, 95.1, 77.1; 135/88.01,  
135/95  
See application file for complete search history.

D373,753	S	*	9/1996	Ferguson	.....	D12/402
D377,474	S		1/1997	Rhead et al.		
D378,033	S		2/1997	Volk, Jr.		
D404,499	S		1/1999	Richardson		
D405,045	S		2/1999	Sauve et al.		
6,234,498	B1	*	5/2001	Saku et al.	.....	280/47.34
6,543,864	B2	*	4/2003	Cline	.....	312/3
D619,387	S		7/2010	Davenport		
D650,092	S		12/2011	Lucht		
2001/0009347	A1	*	7/2001	Kasuya	.....	312/409
2002/0135278	A1	*	9/2002	Cline	.....	312/3
2005/0247387	A1	*	11/2005	Hooker et al.	.....	150/167
2011/0036474	A1	*	2/2011	Phillips	.....	150/167

\* cited by examiner

*Primary Examiner* — Katrina A Betton  
(74) *Attorney, Agent, or Firm* — QuickPatents; Kevin Prince

(57) **CLAIM**  
I claim the ornamental design for a bicycle storage cabinet, as shown and described.

(56) **References Cited**

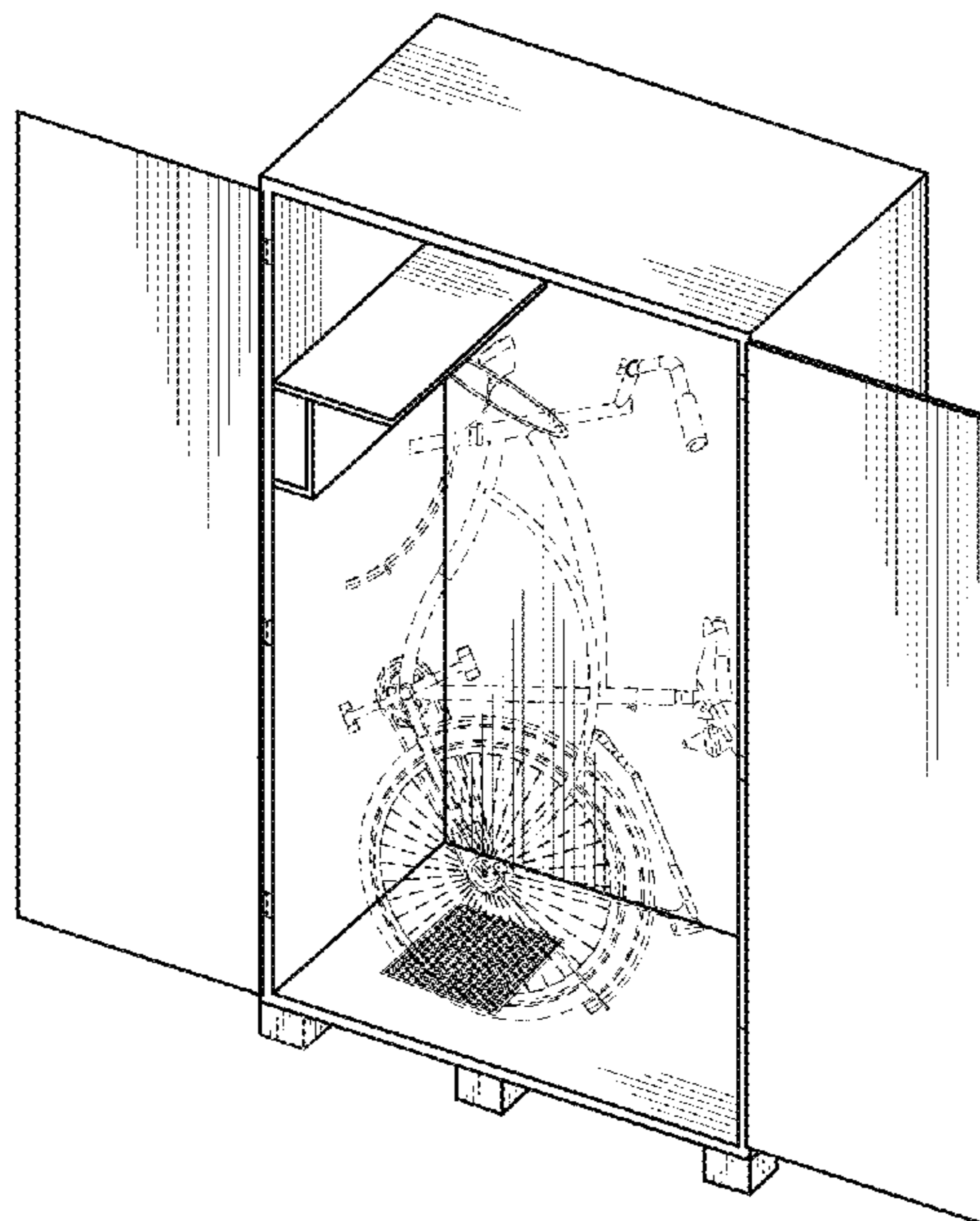
**DESCRIPTION**

U.S. PATENT DOCUMENTS

2,915,791	A	12/1959	Hauf		
3,734,272	A	5/1973	Galen		
3,884,523	A	* 5/1975	Allen	.....	296/136.04
D237,381	S	* 10/1975	Jensen	.....	D25/16
3,968,913	A	* 7/1976	Weed et al.	.....	224/488
3,973,812	A	8/1976	Poltorak		
4,016,686	A	* 4/1977	Hartger et al.	.....	52/65
4,356,831	A	* 11/1982	Adams	.....	150/167
4,438,606	A	* 3/1984	Chardon et al.	.....	52/79.1
4,598,725	A	* 7/1986	Brewer	.....	135/95
4,944,340	A	* 7/1990	Tortorich	.....	150/167
D334,837	S	4/1993	Bradley		
D341,552	S	* 11/1993	Schardt	.....	D12/114
5,282,502	A	* 2/1994	Ballard	.....	150/167
D361,977	S	* 9/1995	Kahler	.....	D12/402

FIG. 1 is a perspective view of a bicycle storage cabinet, showing my new design;  
FIG. 2 is a perspective view thereof;  
FIG. 3 is a front elevational view thereof;  
FIG. 4 is a rear elevational view thereof;  
FIG. 5 is a right-side elevational view thereof, the left-side elevational view being a mirror image thereof;  
FIG. 6 is a top plan view thereof;  
FIG. 7 is a bottom plan view thereof; and,  
FIG. 8 is a cross-sectional view thereof.  
The broken lines showing a bicycle in FIGS. 1 and 8 depict environmental matter and form no part of the claimed design.

**1 Claim, 4 Drawing Sheets**



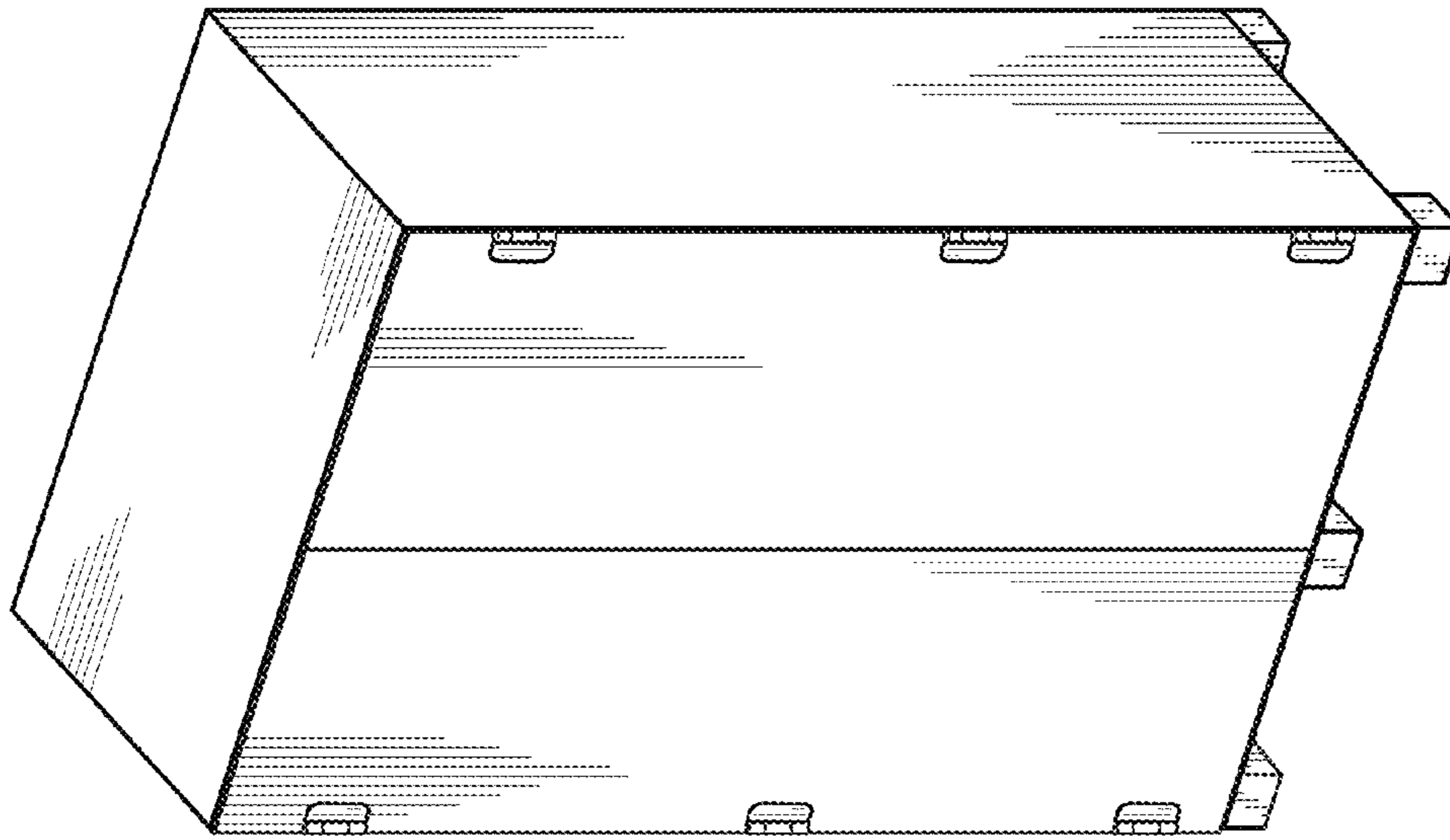


FIG. 2

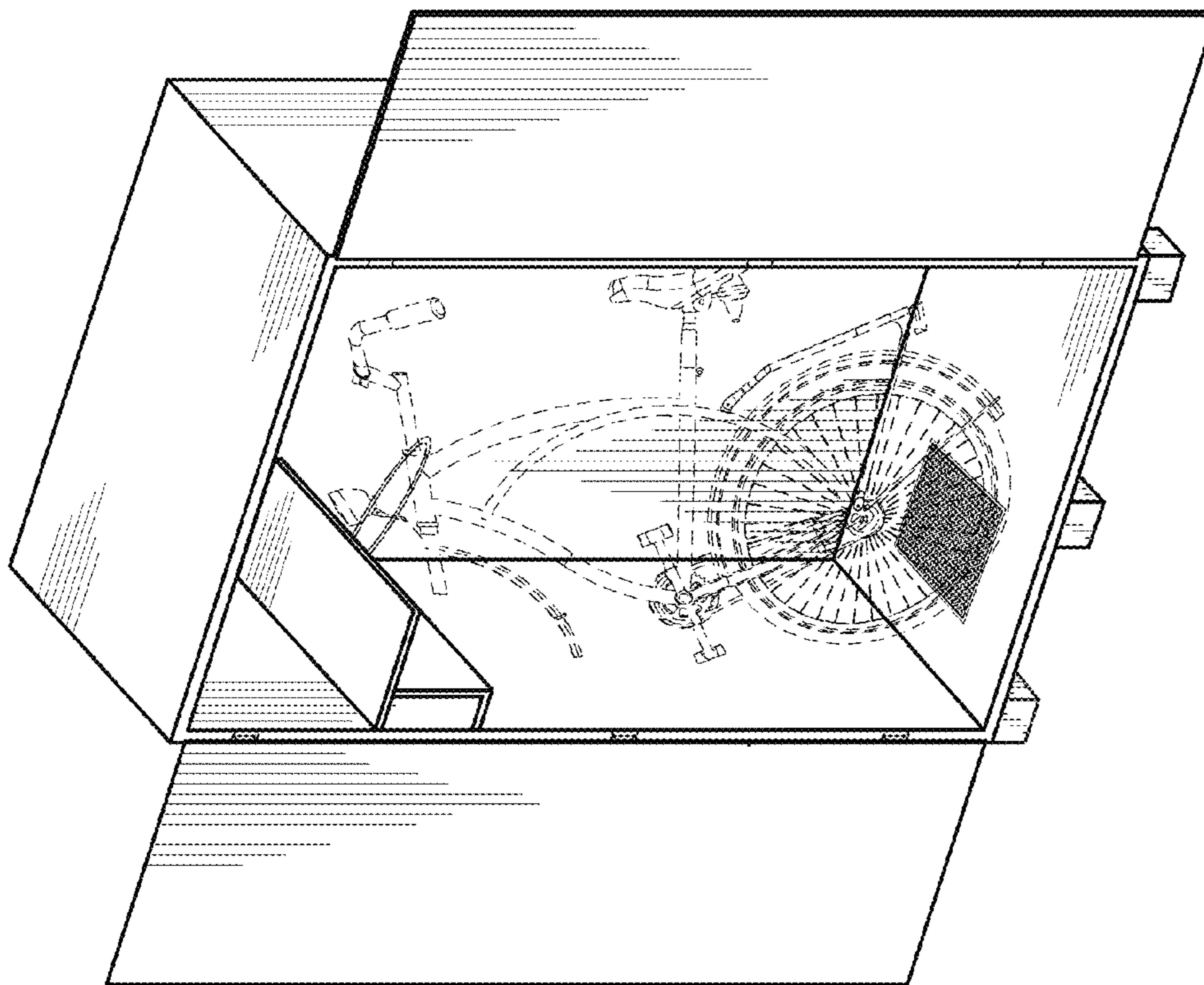


FIG. 1

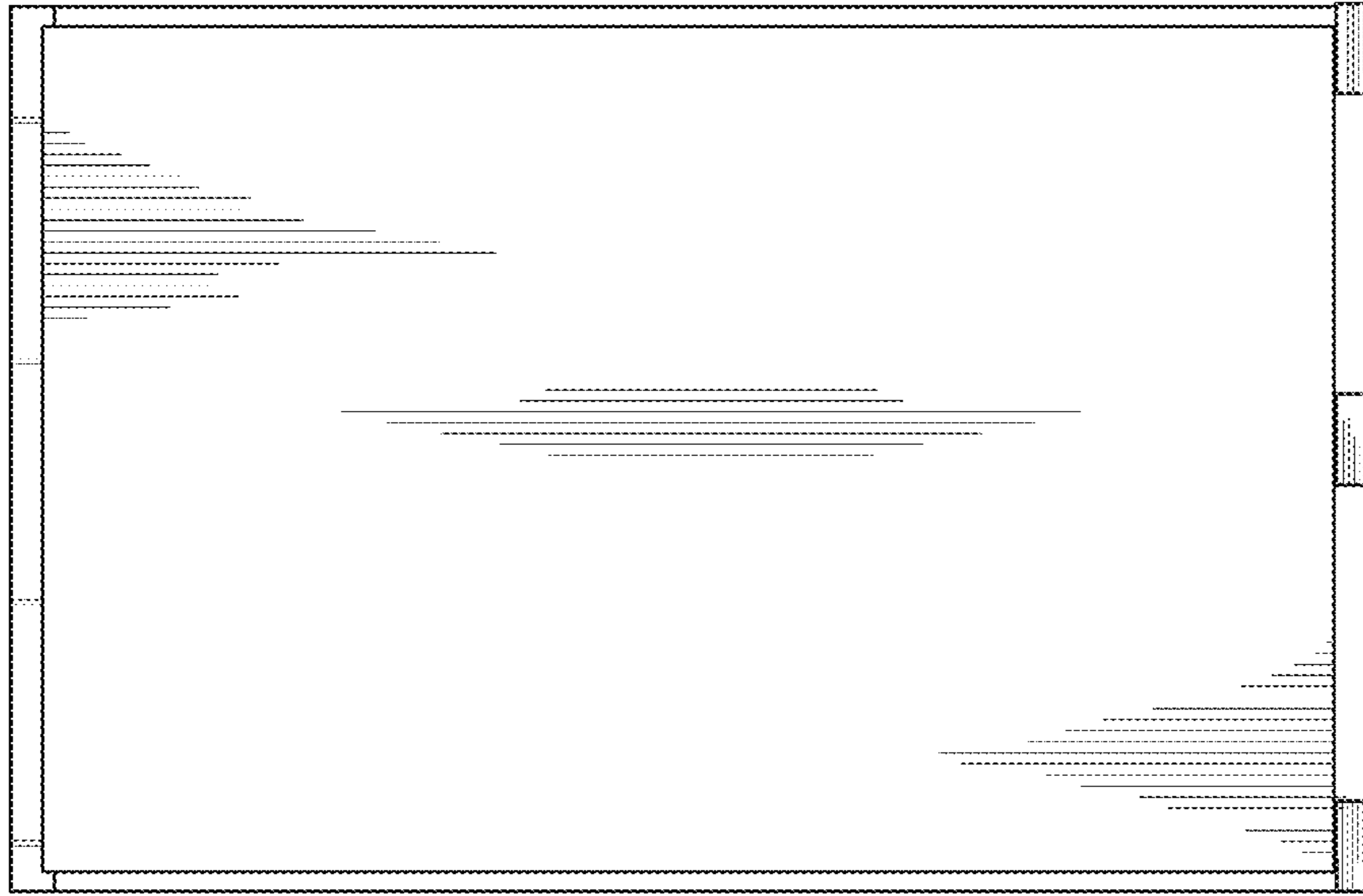


FIG. 4

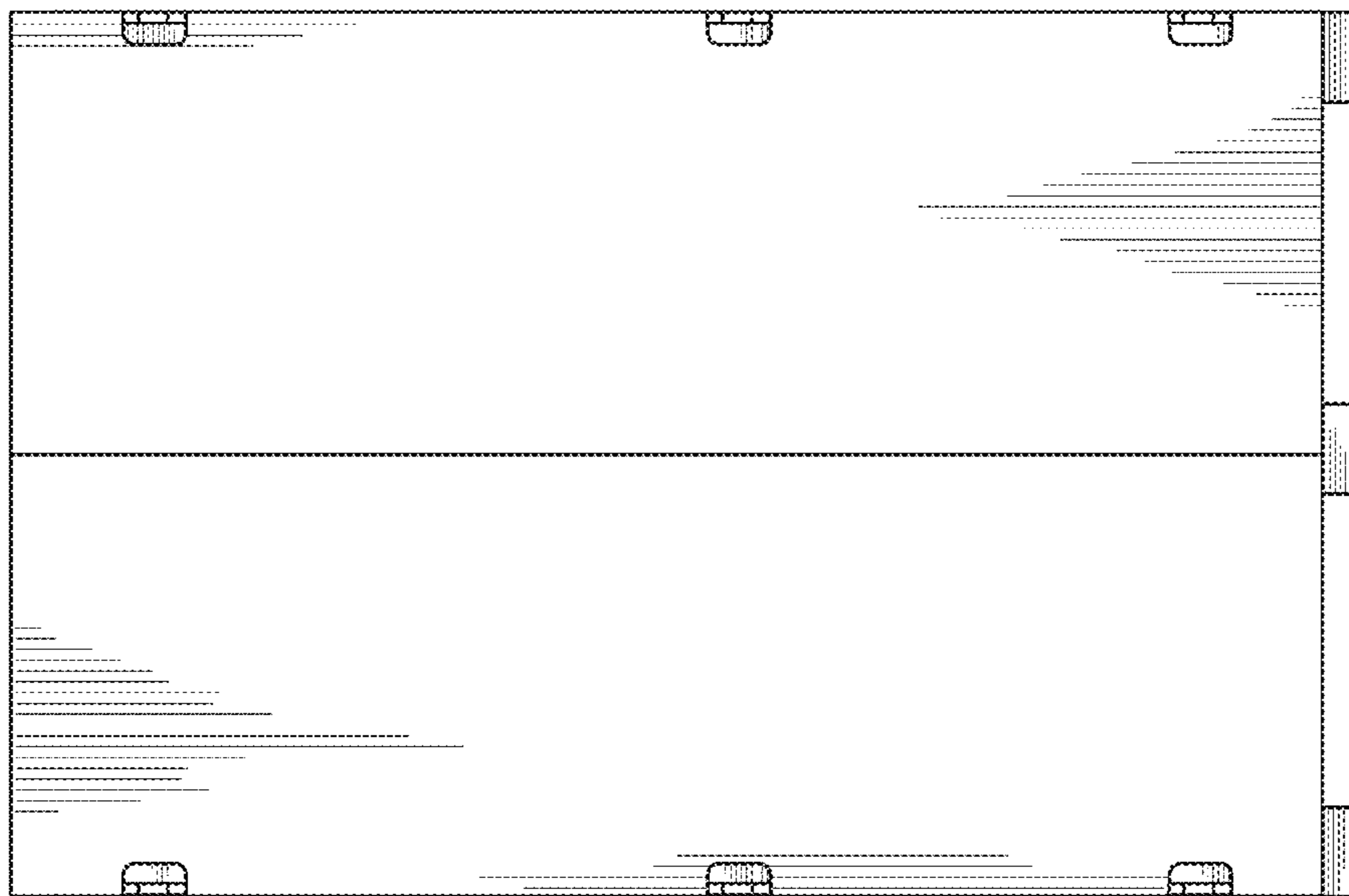


FIG. 3

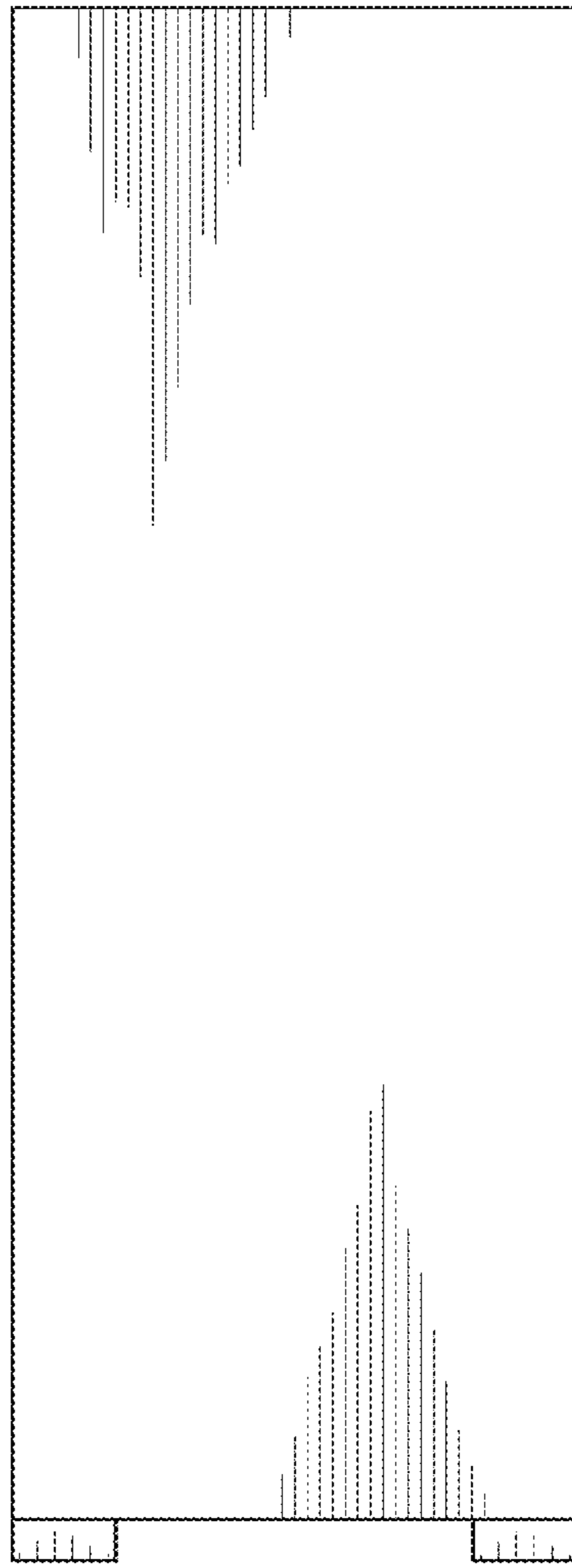


FIG. 5

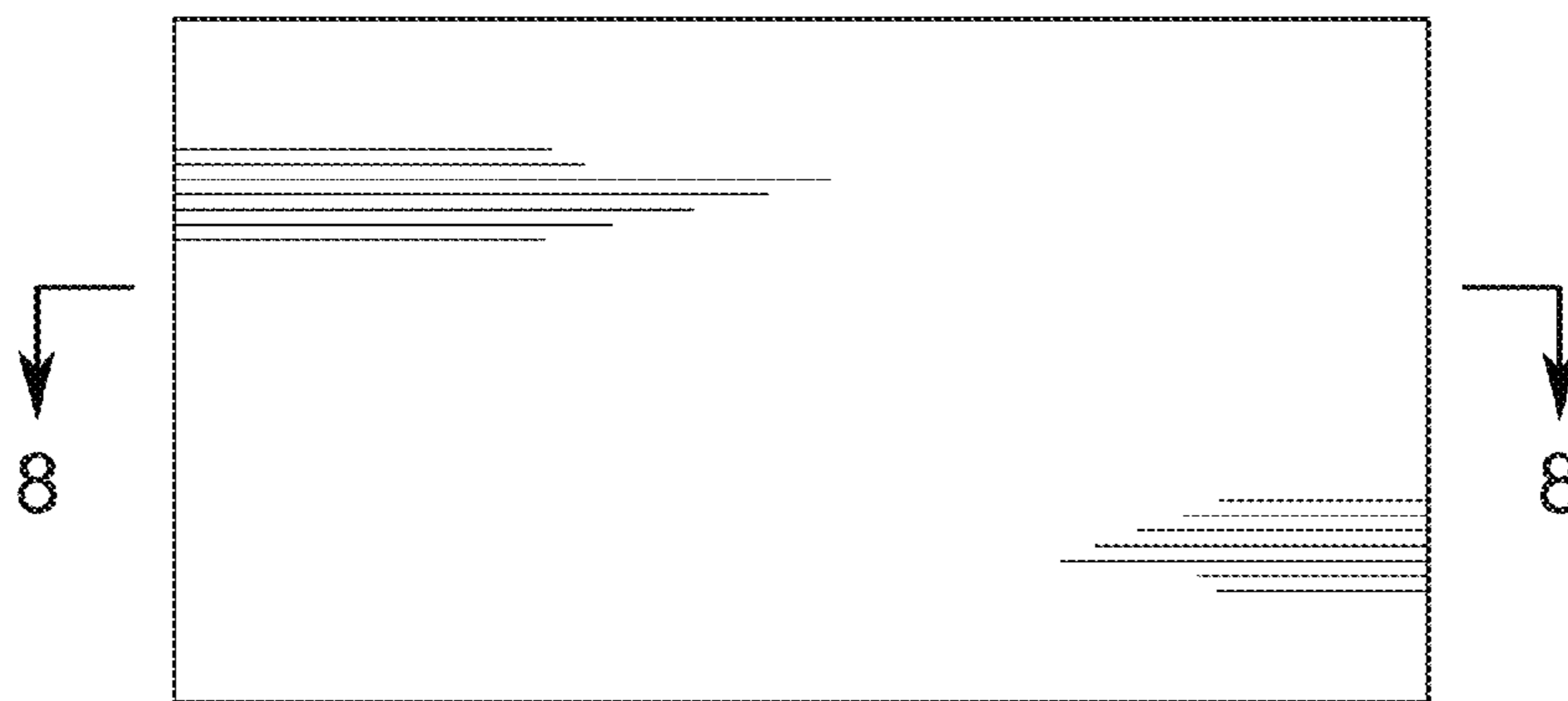


FIG. 6

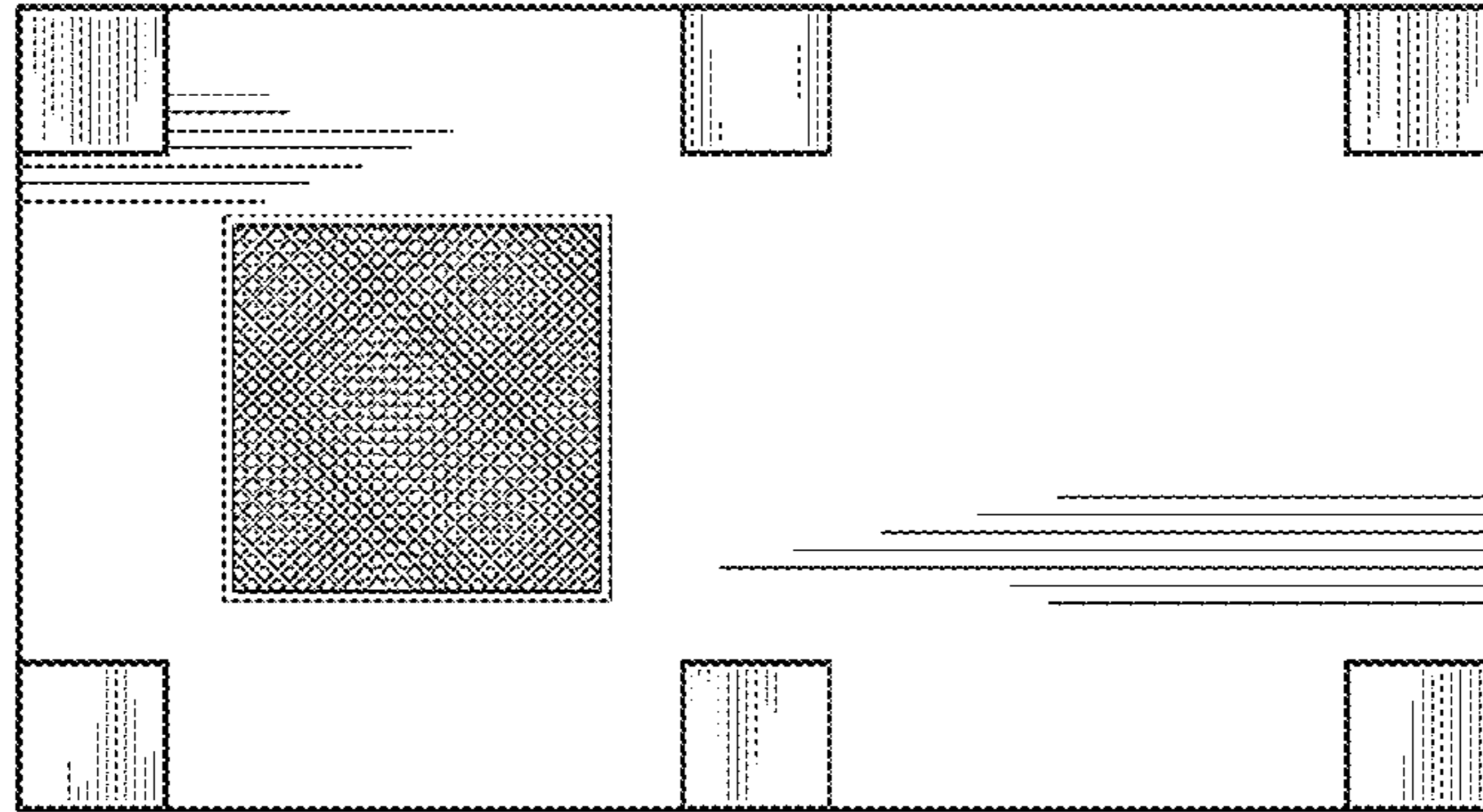


FIG. 7

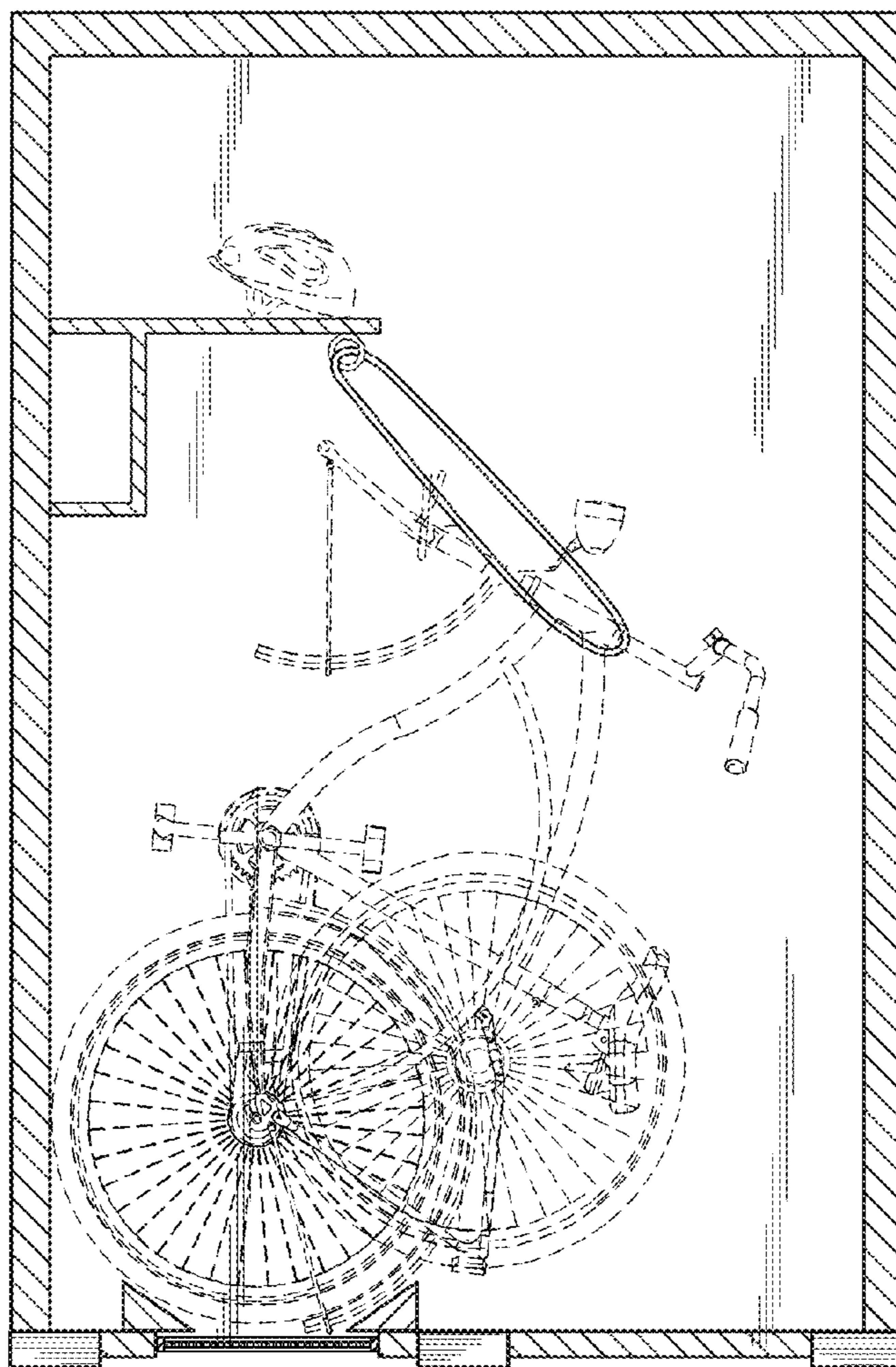


FIG. 8