



US00D689010S

(12) **United States Design Patent**  
**Littlechild et al.**

(10) **Patent No.:** **US D689,010 S**  
(45) **Date of Patent:** **\*\* Sep. 3, 2013**

- (54) **AVIONICS FLIGHT DISPLAY**
- (75) Inventors: **Clive J. Littlechild**, Cedar Rapids, IA (US); **Gregory D. Reynolds**, Cedar Rapids, IA (US); **Craig E. Harwood**, Cedar Rapids, IA (US)
- (73) Assignee: **Rockwell Collins, Inc.**, Cedar Rapids, IA (US)
- (\*\*) Term: **14 Years**
- (21) Appl. No.: **29/414,535**
- (22) Filed: **Feb. 29, 2012**
- (51) **LOC (9) Cl.** ..... **12-07**
- (52) **U.S. Cl.**  
USPC ..... **D12/345**
- (58) **Field of Classification Search**  
USPC ..... D12/192, 319, 345, 415; D14/336, D14/371, 373, 374, 375; D21/430, 442, D21/447, 448, 449, 450, 451; 244/1 R, 118.5, 244/220, 221, 234; 280/1.12; 340/945, 946, 340/947, 971, 973, 974, 975, 980; 345/168; 446/230, 231, 232; 701/3, 11, 14, 17, 18; 702/121, 122  
See application file for complete search history.

7,844,372	B2 *	11/2010	Chen et al.	701/11
D630,142	S *	1/2011	da Silveira et al.	D12/192
D634,745	S *	3/2011	Park et al.	D14/373
D669,076	S *	10/2012	Haller	D14/374
2007/0150124	A1 *	6/2007	Wipplinger et al.	701/3
2008/0012730	A1 *	1/2008	Soler	340/973
2009/0045982	A1 *	2/2009	Caillaud et al.	340/972
2010/0204855	A1 *	8/2010	Vial	701/14
2010/0262319	A1 *	10/2010	Gunn et al.	701/3
2010/0332054	A1 *	12/2010	Brandao et al.	701/3

\* cited by examiner

*Primary Examiner* — Caron D Veynar

*Assistant Examiner* — Martie K Holtje

(74) *Attorney, Agent, or Firm* — Donna P. Suchy; Daniel M. Barbieri

(57) **CLAIM**

The ornamental design for an avionics flight display, as shown and described.

**DESCRIPTION**

FIG. 1 is a right front perspective view of an avionics flight display showing our new design;  
 FIG. 2 is a top plan view thereof;  
 FIG. 3 is a front elevational view thereof;  
 FIG. 4 is a right side elevational view thereof;  
 FIG. 5 is a rear elevational view thereof;  
 FIG. 6 is a left side elevational view thereof; and,  
 FIG. 7 is a bottom plan view thereof.

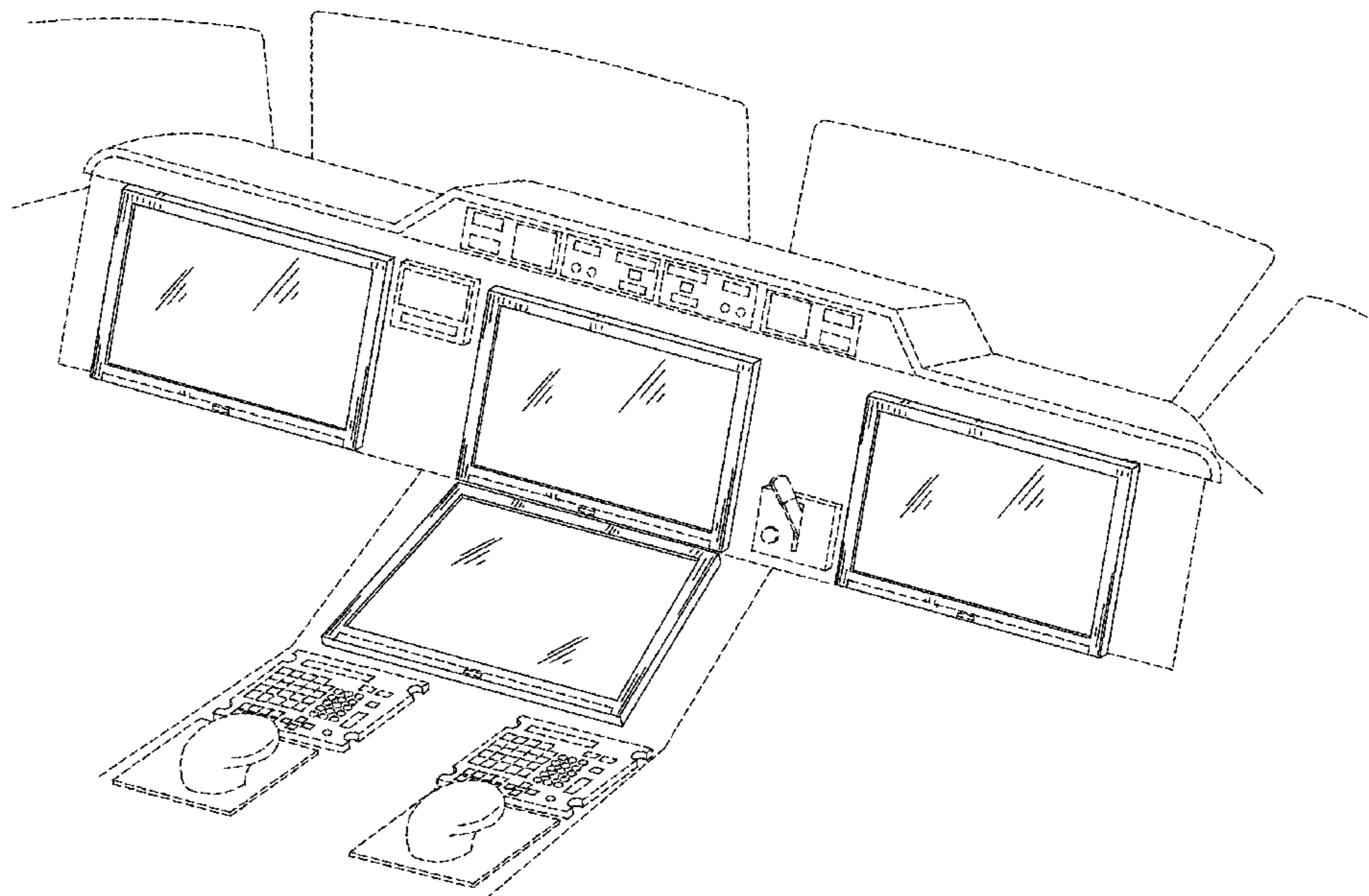
The broken lines depicting structural elements have been shown for the purpose of illustrating environment which forms no part of the claimed design.

**1 Claim, 7 Drawing Sheets**

(56) **References Cited**

**U.S. PATENT DOCUMENTS**

D310,346	S *	9/1990	Allred	D12/192
6,381,519	B1 *	4/2002	Snyder	701/3
D469,746	S *	2/2003	Soule, Jr.	D14/127
6,970,104	B2 *	11/2005	Knecht et al.	340/945
7,307,549	B2 *	12/2007	Firra	340/974
7,321,318	B2 *	1/2008	Crane et al.	340/971



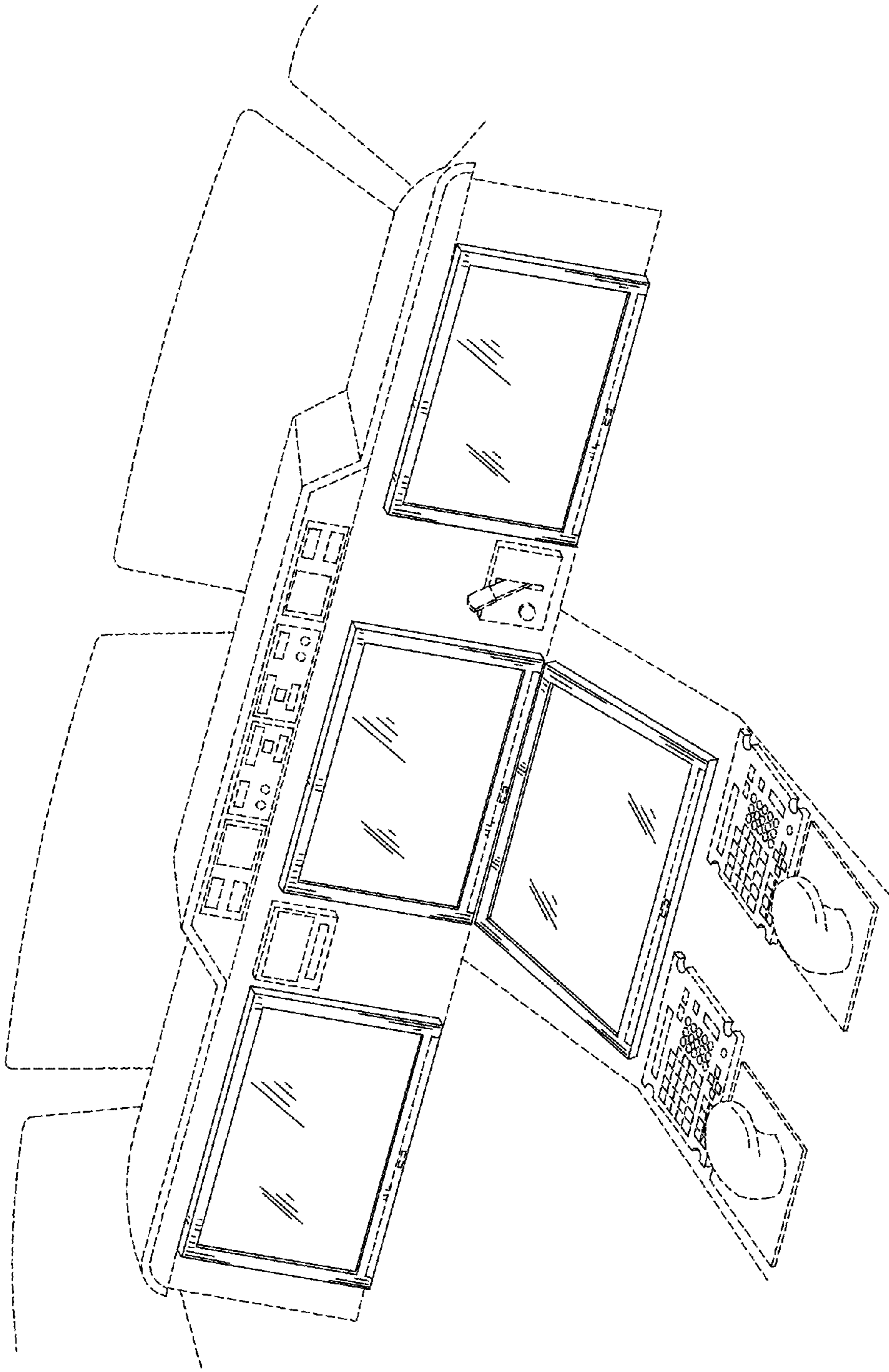


FIG. 1

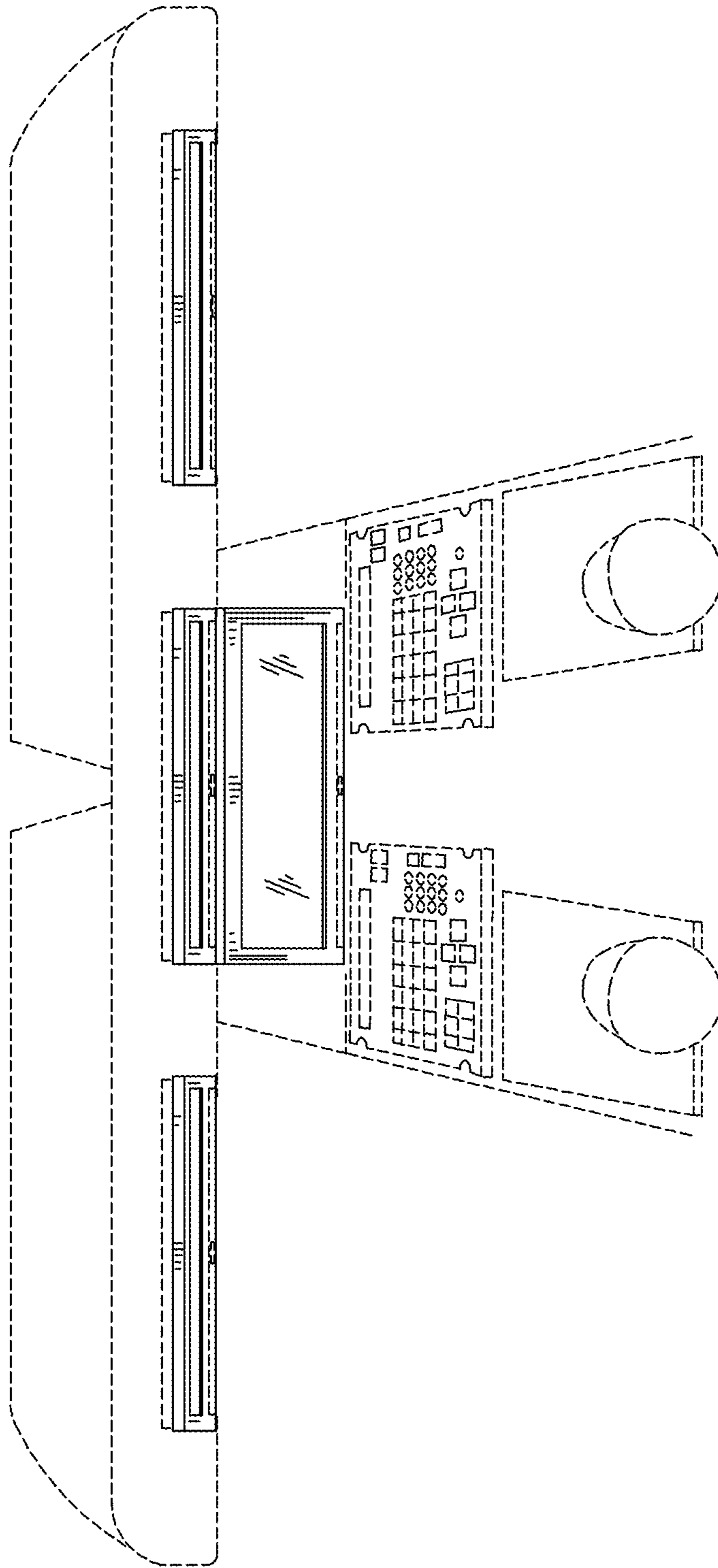


FIG. 2



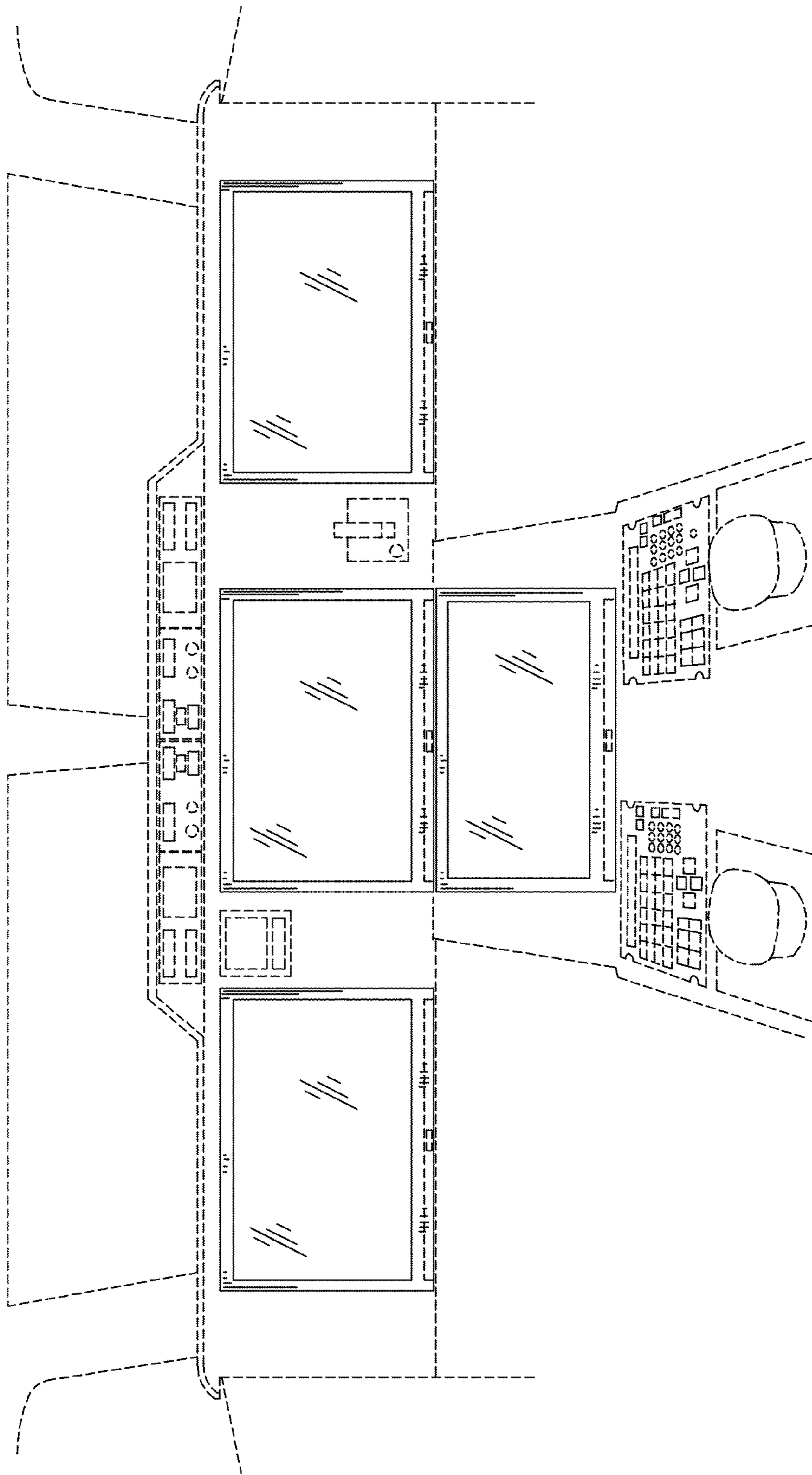


FIG. 3

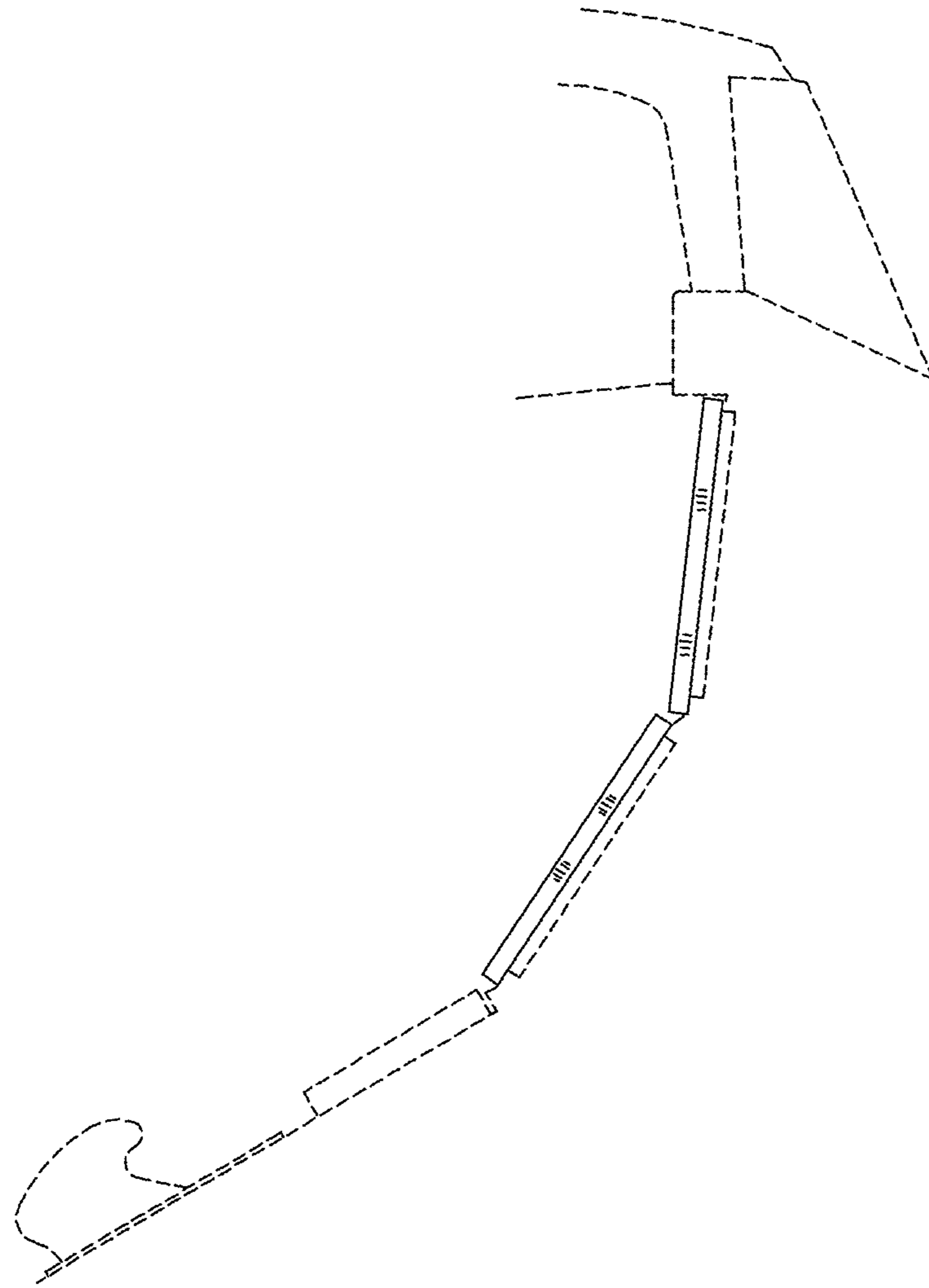


FIG. 4

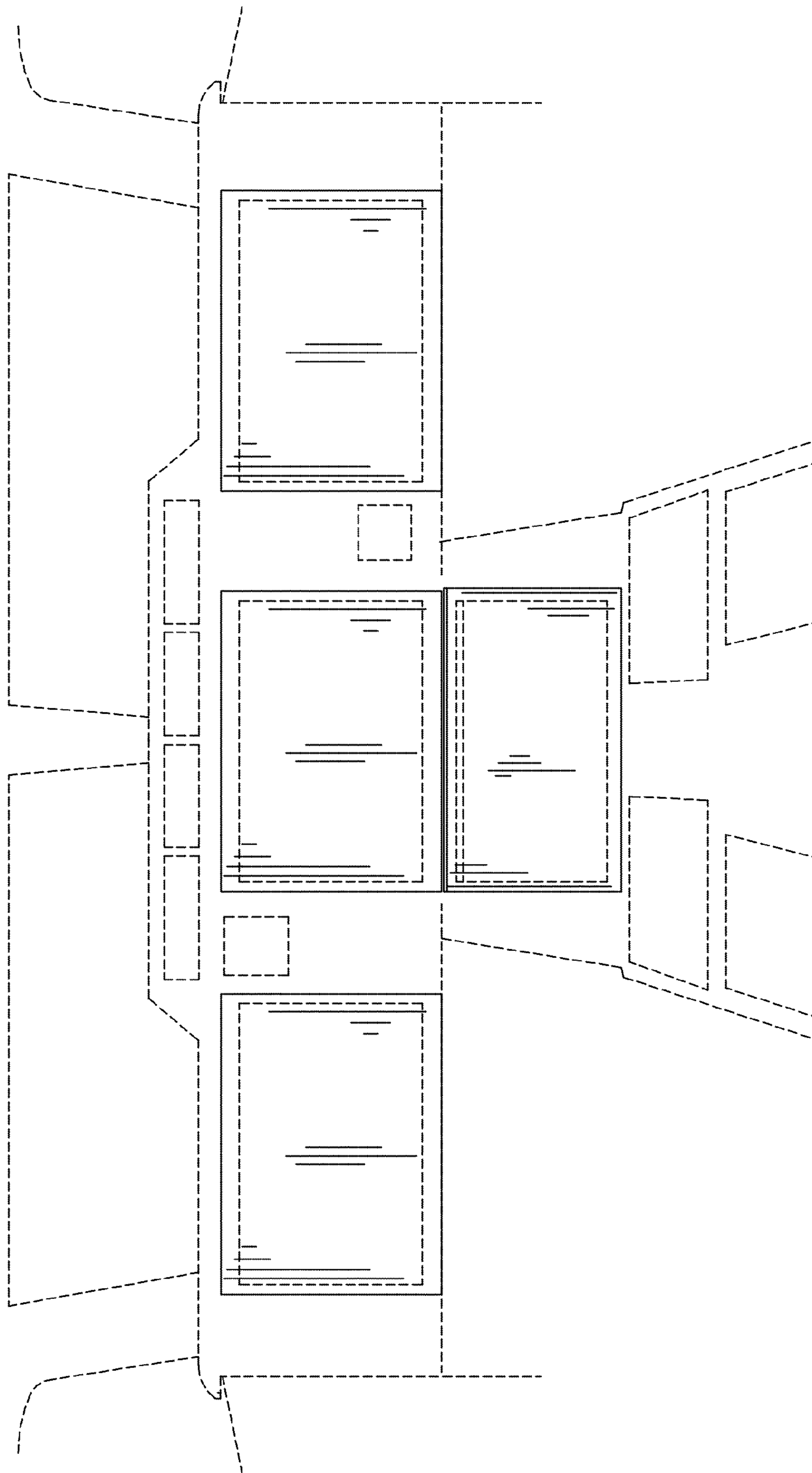


FIG. 5

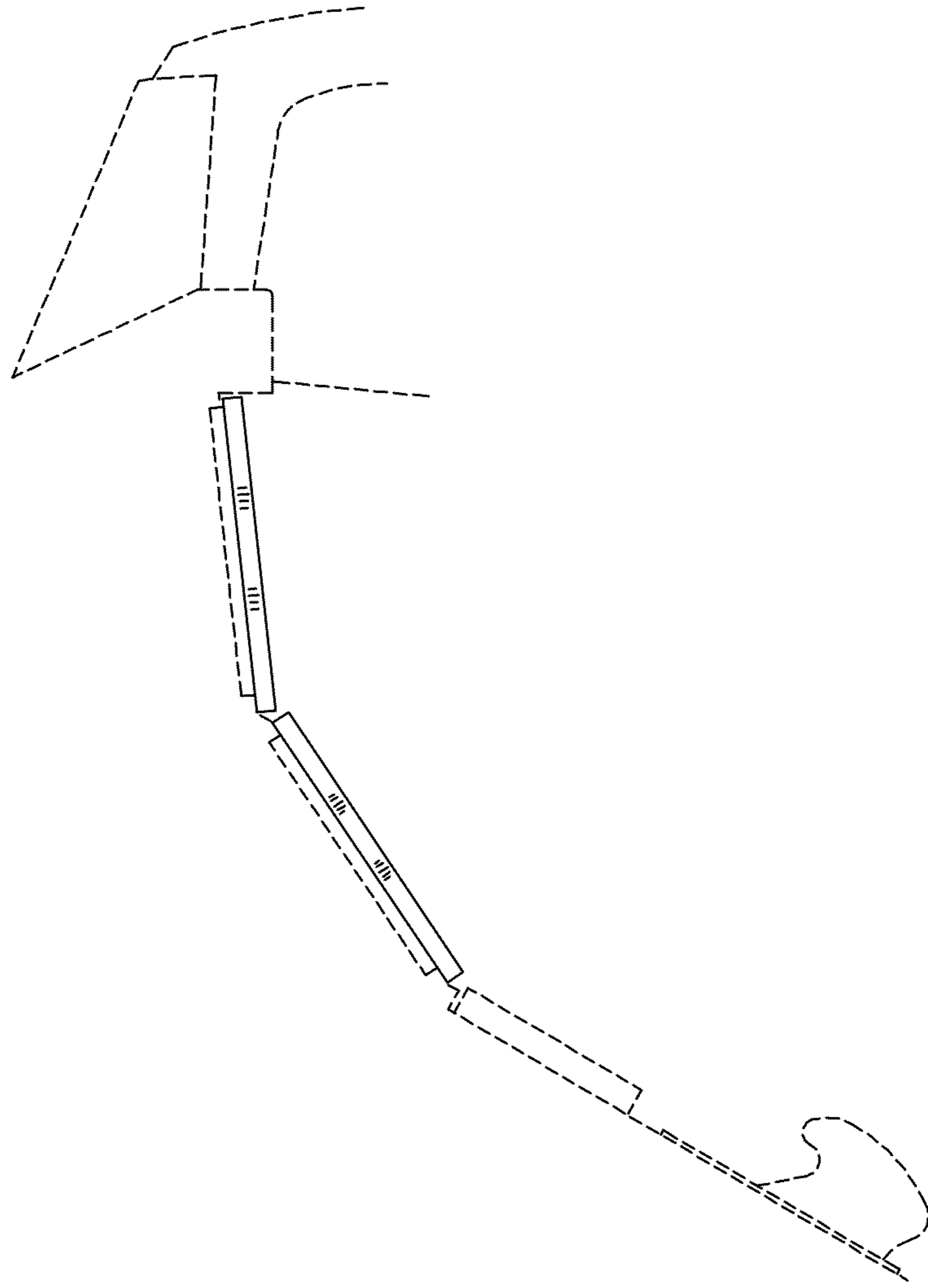


FIG. 6

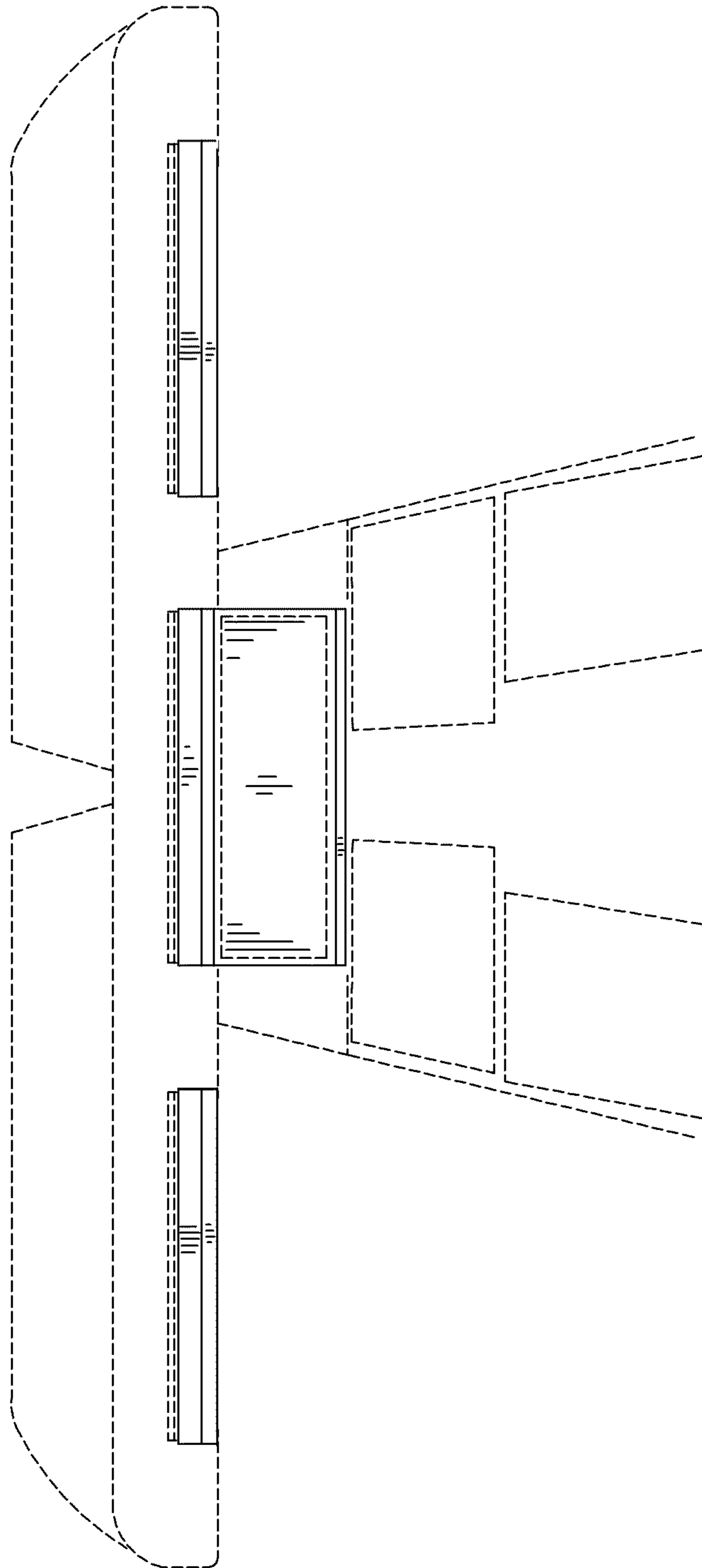


FIG. 7