



US00D689006S

(12) **United States Design Patent**
Whelan

(10) **Patent No.:** **US D689,006 S**
(45) **Date of Patent:** **** Sep. 3, 2013**

(54) **PORTABLE SEAT DEVICE FOR CANOES**

(71) Applicant: **Bernard J. Whelan**, Cumberland, RI
(US)

(72) Inventor: **Bernard J. Whelan**, Cumberland, RI
(US)

(**) Term: **14 Years**

(21) Appl. No.: **29/437,797**

(22) Filed: **Nov. 20, 2012**

Related U.S. Application Data

(63) Continuation-in-part of application No. 12/756,050,
filed on Apr. 7, 2010, now abandoned.

(51) **LOC (9) Cl.** **12-06**

(52) **U.S. Cl.**
USPC **D12/317**

(58) **Field of Classification Search**
USPC D12/300, 302, 317, 318; D21/823;
D6/344, 347, 349, 356; 114/347, 363, 364
See application file for complete search history.

(56) **References Cited**

U.S. PATENT DOCUMENTS

2,299,178	A *	10/1942	Reiter	114/363
2,815,517	A *	12/1957	Andresen, Jr.	114/363
3,328,811	A *	7/1967	Norton	114/363
D210,609	S *	3/1968	Confer	D21/823
3,990,743	A *	11/1976	Nelson	114/363
4,380,208	A	4/1983	Goserud		
4,672,911	A *	6/1987	Hodgins	114/363
4,768,459	A	9/1988	Cerkvenik et al.		
D301,191	S *	5/1989	Anello et al.	D6/502

5,050,526	A	9/1991	Nelson et al.		
5,168,825	A	12/1992	Ring		
5,975,004	A	11/1999	Nesseth		
6,079,349	A	6/2000	Simpson		
6,216,535	B1	4/2001	Schapmire		
D520,591	S	5/2006	Popp		
7,314,406	B2	1/2008	Bilinovich		
D610,645	S *	2/2010	Bicknese et al.	D21/823
2004/0025531	A1	2/2004	Holloman-Hughes		

* cited by examiner

Primary Examiner — Cynthia M Chin

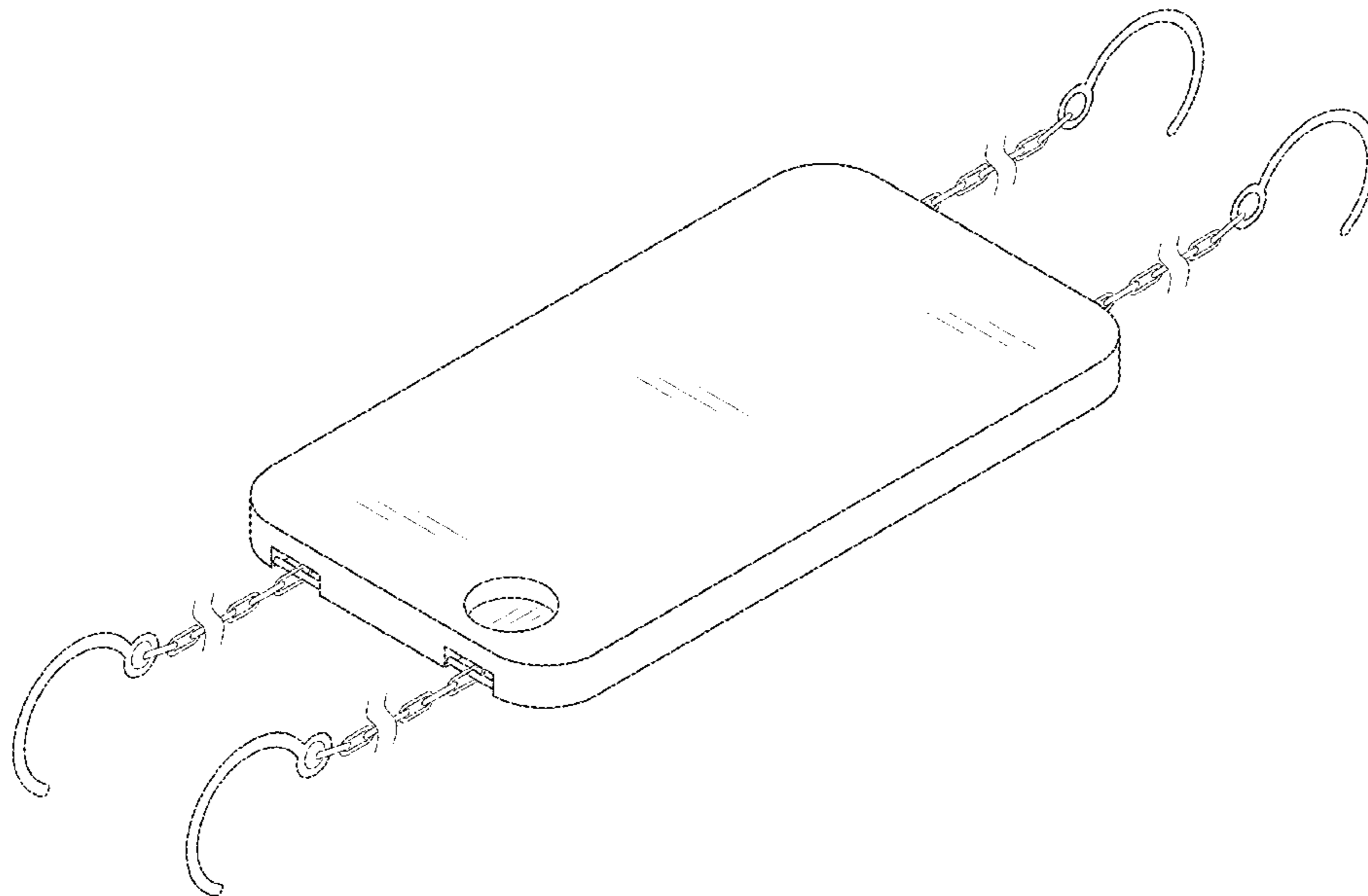
(57) **CLAIM**

The ornamental design for a portable seat device for canoes,
as shown and described.

DESCRIPTION

FIG. 1 is a perspective view of a portable seat device for canoes showing my new design;
 FIG. 2 is a bottom perspective view thereof;
 FIG. 3 is a top view thereof;
 FIG. 4 is a bottom view thereof;
 FIG. 5 is side view thereof; opposite side view is a mirror image thereof;
 FIG. 6 is a front view thereof; opposite back view is a mirror image thereof; and,
 FIG. 7 is an in-use perspective view thereof.
 In FIG. 7, the broken lines showing the environmental structure for purposes of illustrating the portable seat device for canoes in a condition of use. The broken lines and the structure they depict form no part of the claimed design.
 The broken away symbols in the drawings indicate the appearance of any portion of the article between the break lines forms no part of the claimed design.

1 Claim, 5 Drawing Sheets



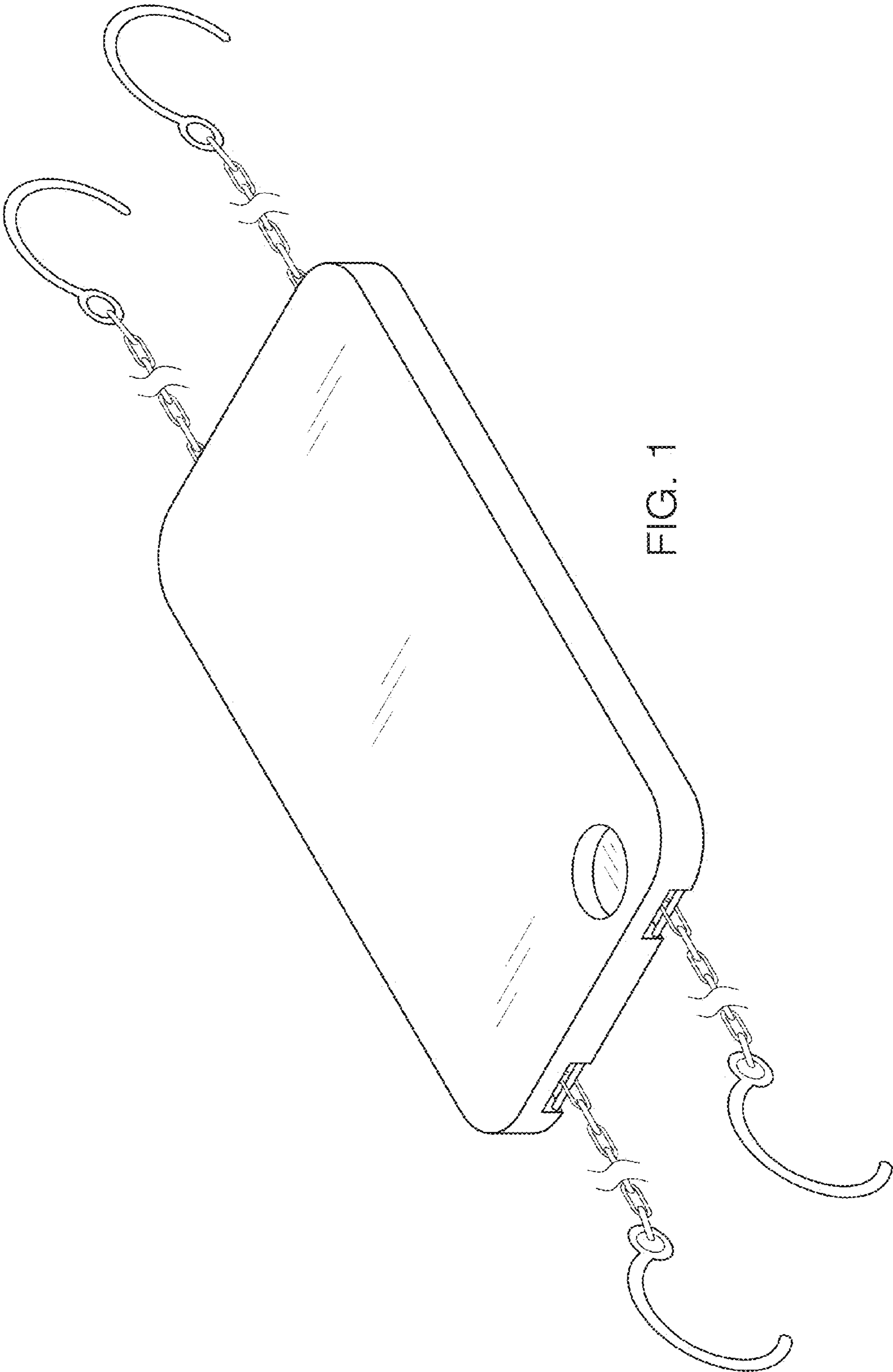


FIG. 1

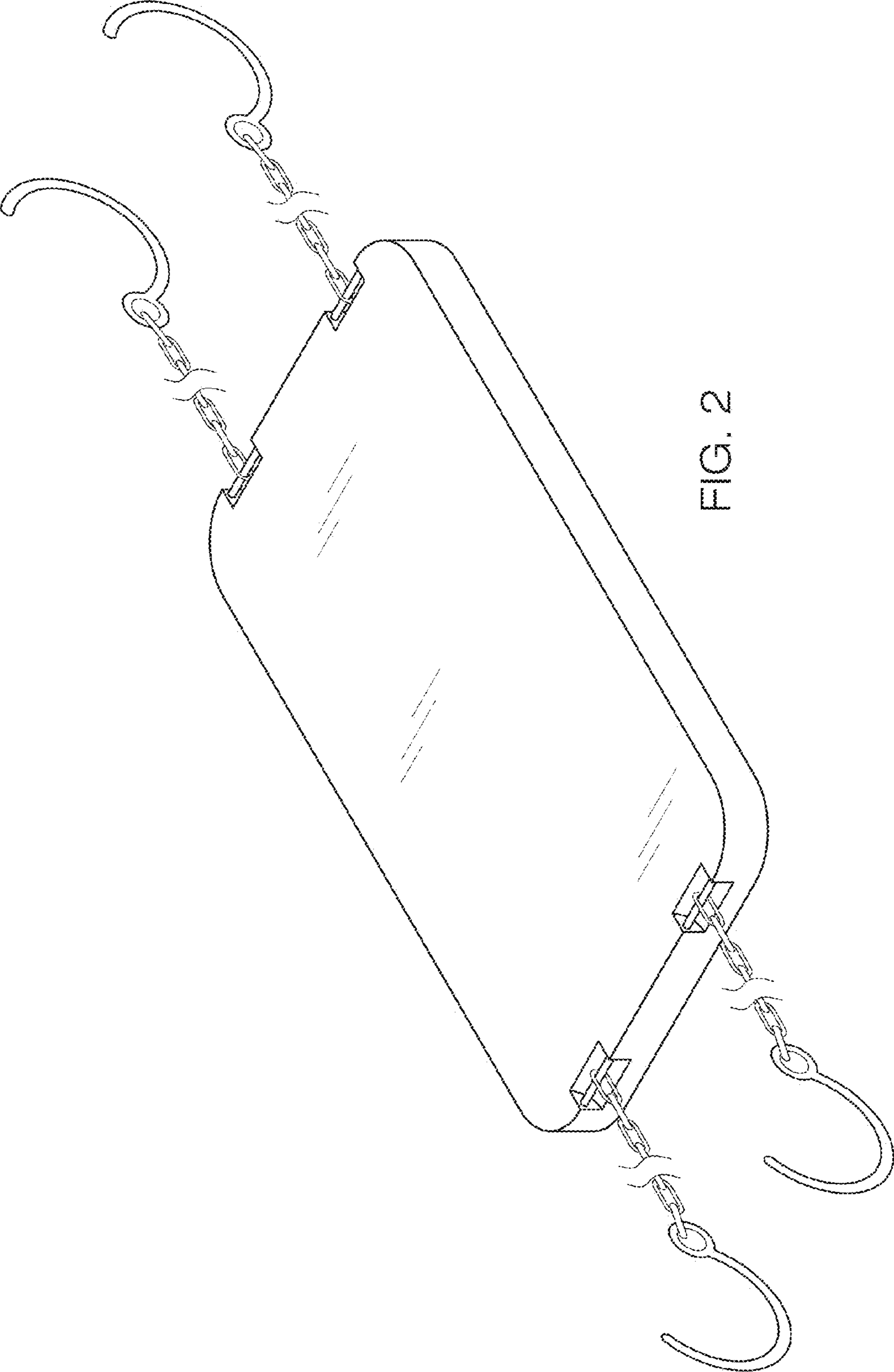


FIG. 2

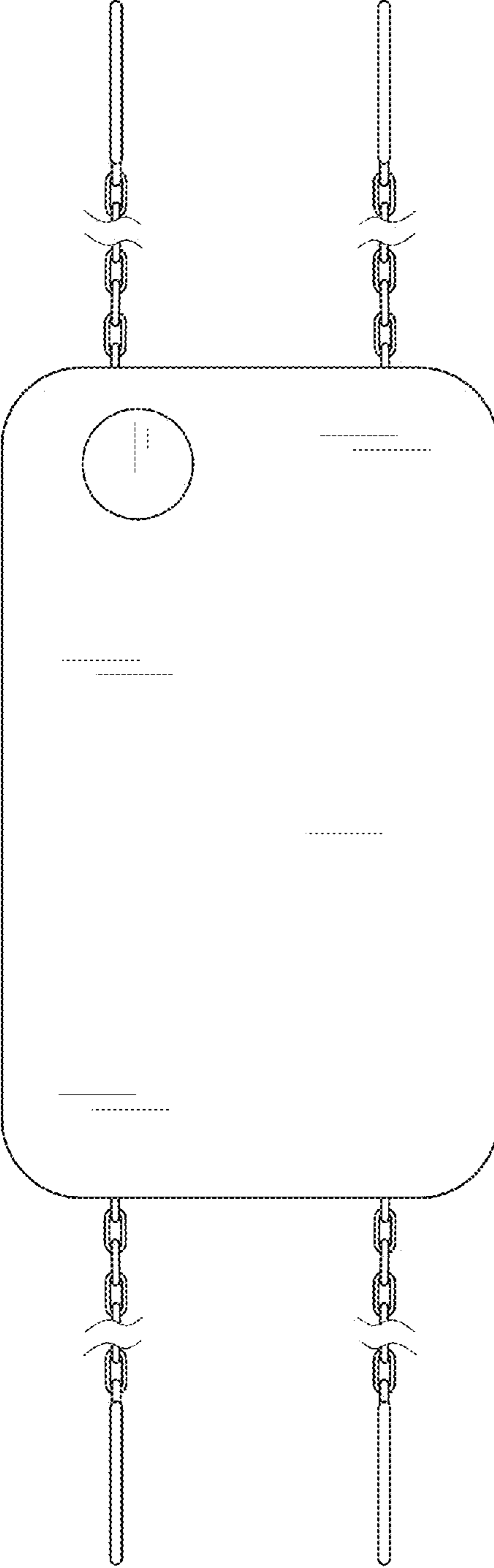


FIG. 3

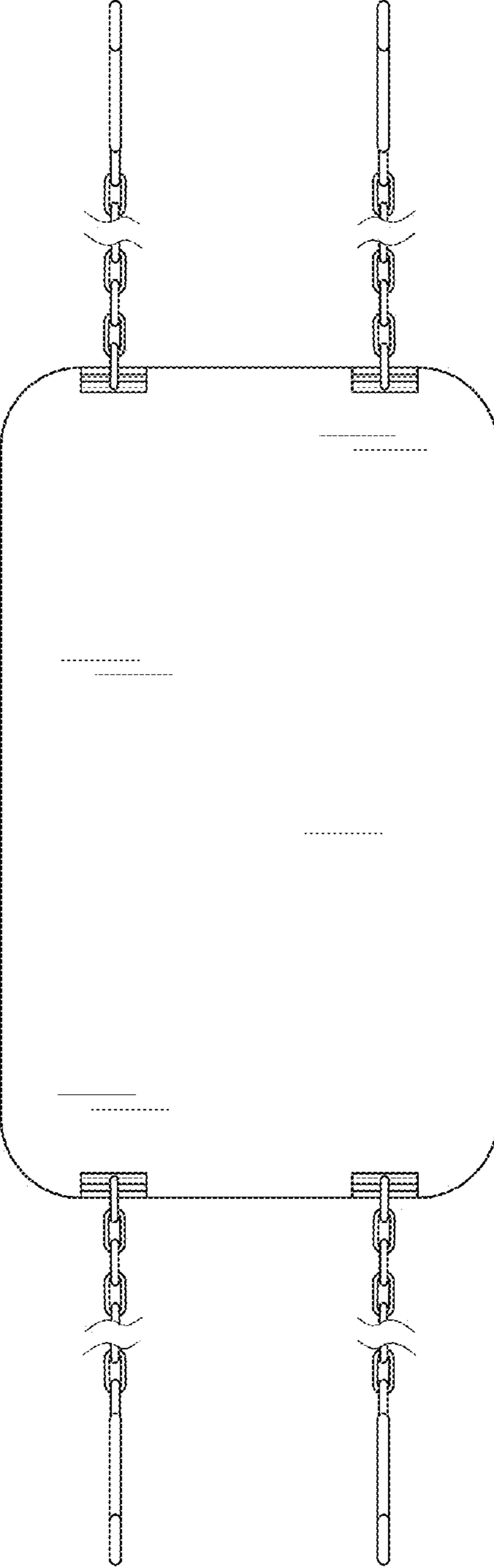


FIG. 4

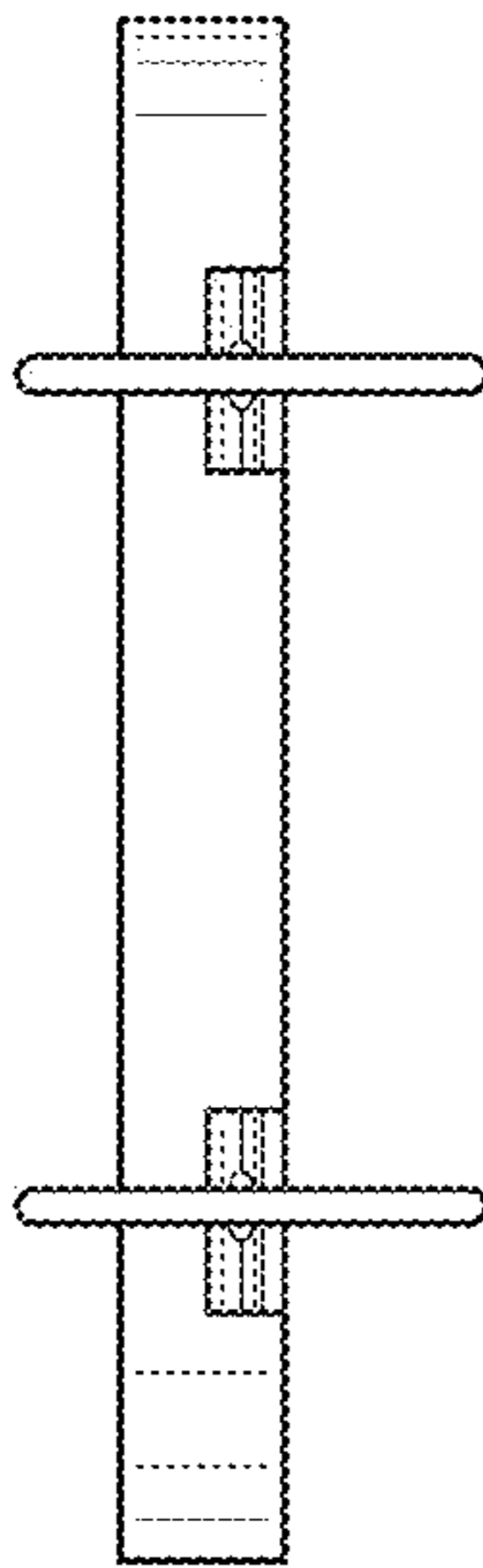


FIG. 5

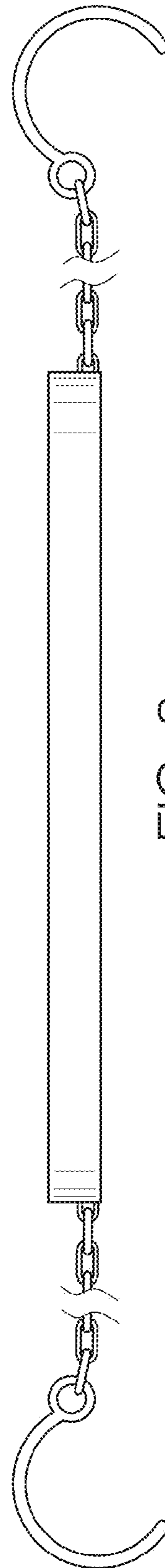


FIG. 6

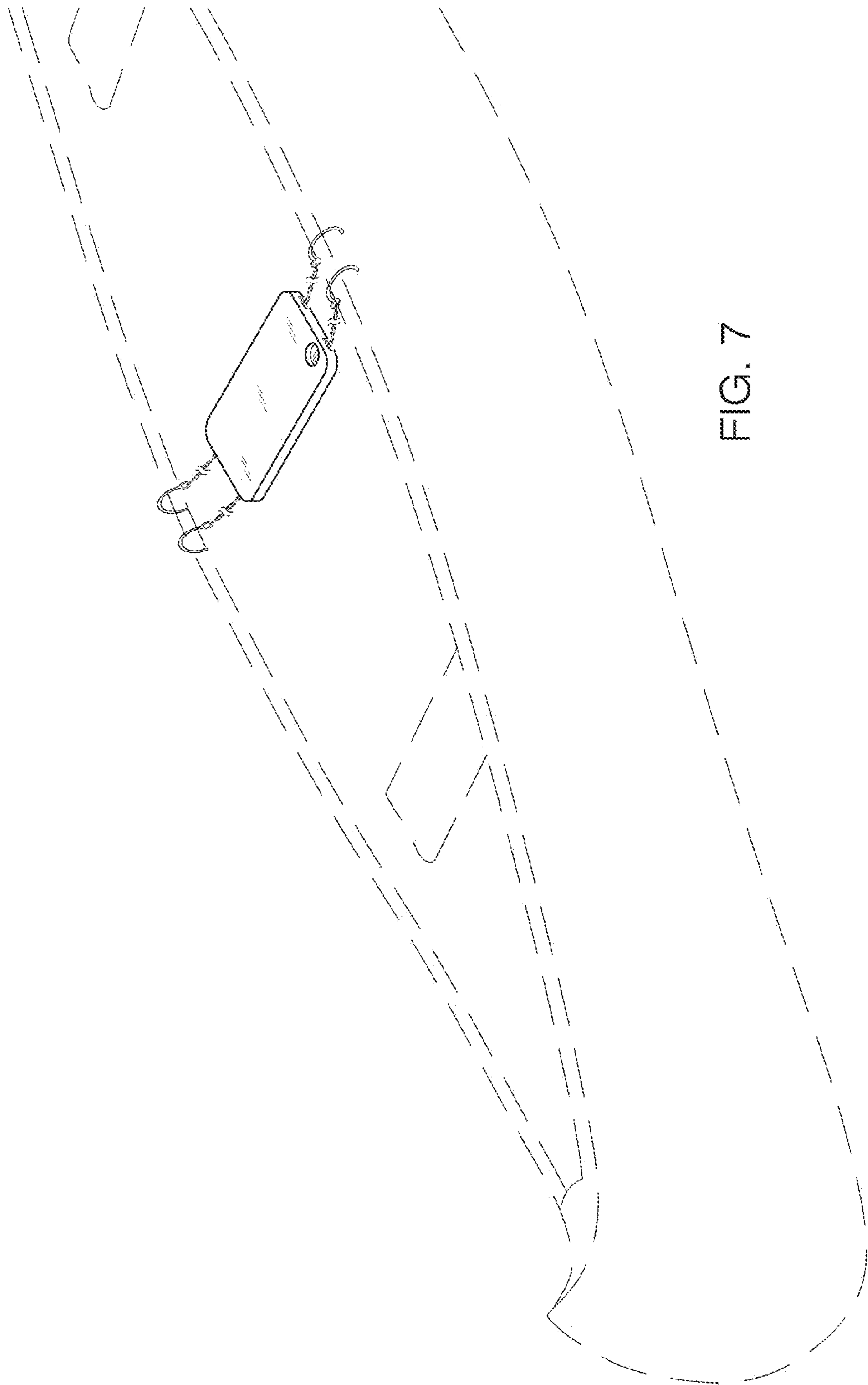


FIG. 7