



US00D689004S

(12) **United States Design Patent**  
**Jallad**

(10) **Patent No.:** **US D689,004 S**  
(45) **Date of Patent:** **\*\* Sep. 3, 2013**

(54) **WHEEL**

(71) Applicant: **Allaeddin Jallad**, Arlington, TX (US)

(72) Inventor: **Allaeddin Jallad**, Arlington, TX (US)

(\*\*) Term: **14 Years**

(21) Appl. No.: **29/440,567**

(22) Filed: **Dec. 21, 2012**

(51) **LOC (9) Cl.** ..... **12-16**

(52) **U.S. Cl.**  
USPC ..... **D12/211**

(58) **Field of Classification Search**  
USPC ..... D12/204-213; 301/37.101, 64.101,  
301/65, 64.201  
See application file for complete search history.

(56) **References Cited**

**U.S. PATENT DOCUMENTS**

D474,440 S *	5/2003	Oh	.....	D12/211
D480,036 S *	9/2003	Laengerer	.....	D12/211
D506,172 S *	6/2005	Pfeiffer	.....	D12/211

D516,990 S *	3/2006	Schweizer	.....	D12/211
D546,263 S *	7/2007	Hernandez	.....	D12/211
D570,276 S *	6/2008	Chung	.....	D12/211
D592,119 S *	5/2009	Heizmann	.....	D12/211
D596,549 S *	7/2009	Varga	.....	D12/211
D620,418 S *	7/2010	Borkert	.....	D12/209
D636,716 S *	4/2011	Ettensberger	.....	D12/211
D643,794 S *	8/2011	Elmitt	.....	D12/211
D649,104 S *	11/2011	Gallert	.....	D12/211
D656,879 S *	4/2012	Gallert	.....	D12/211
D659,069 S *	5/2012	Johnson	.....	D12/211

\* cited by examiner

*Primary Examiner* — Stacia Cadmus

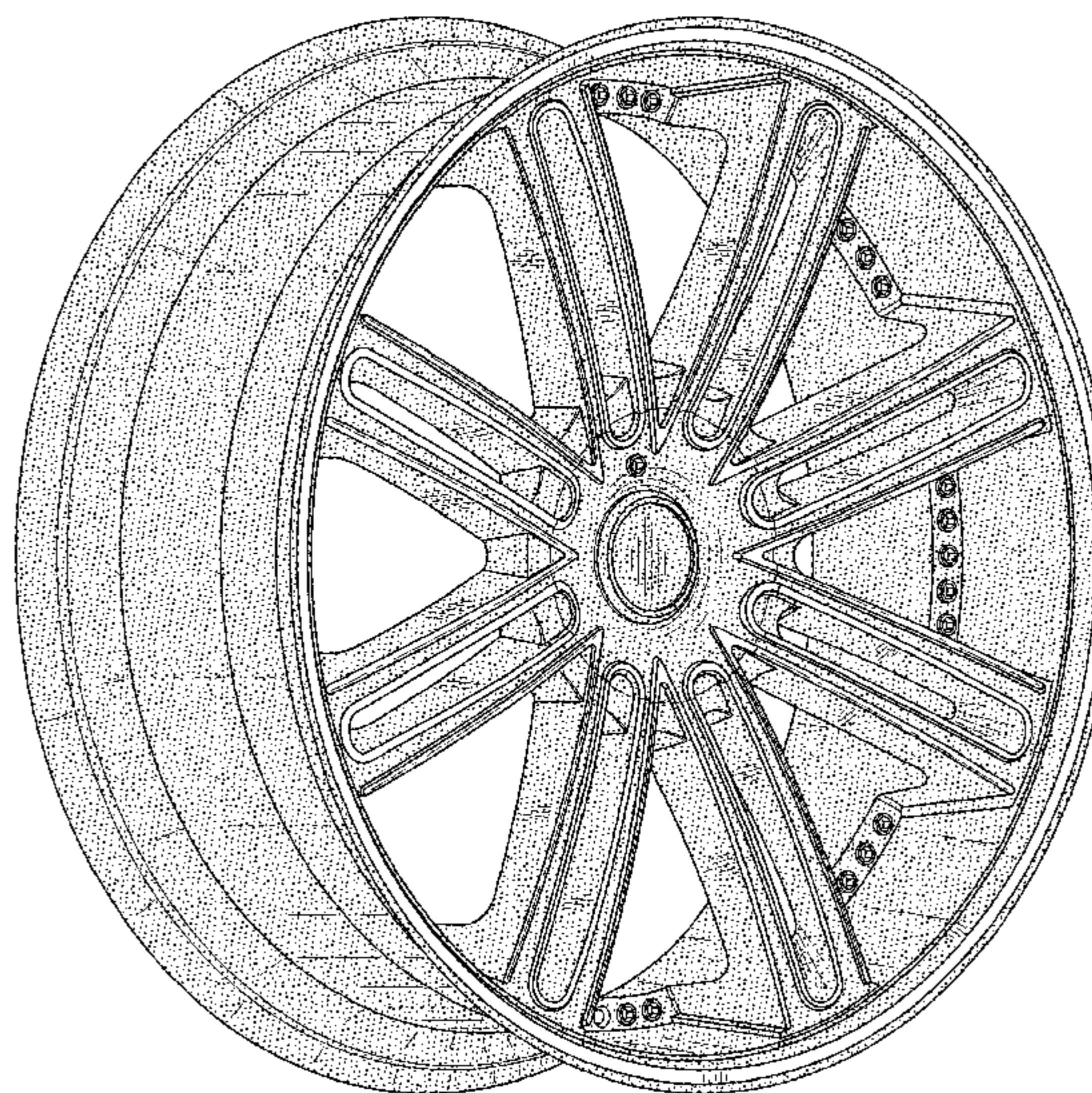
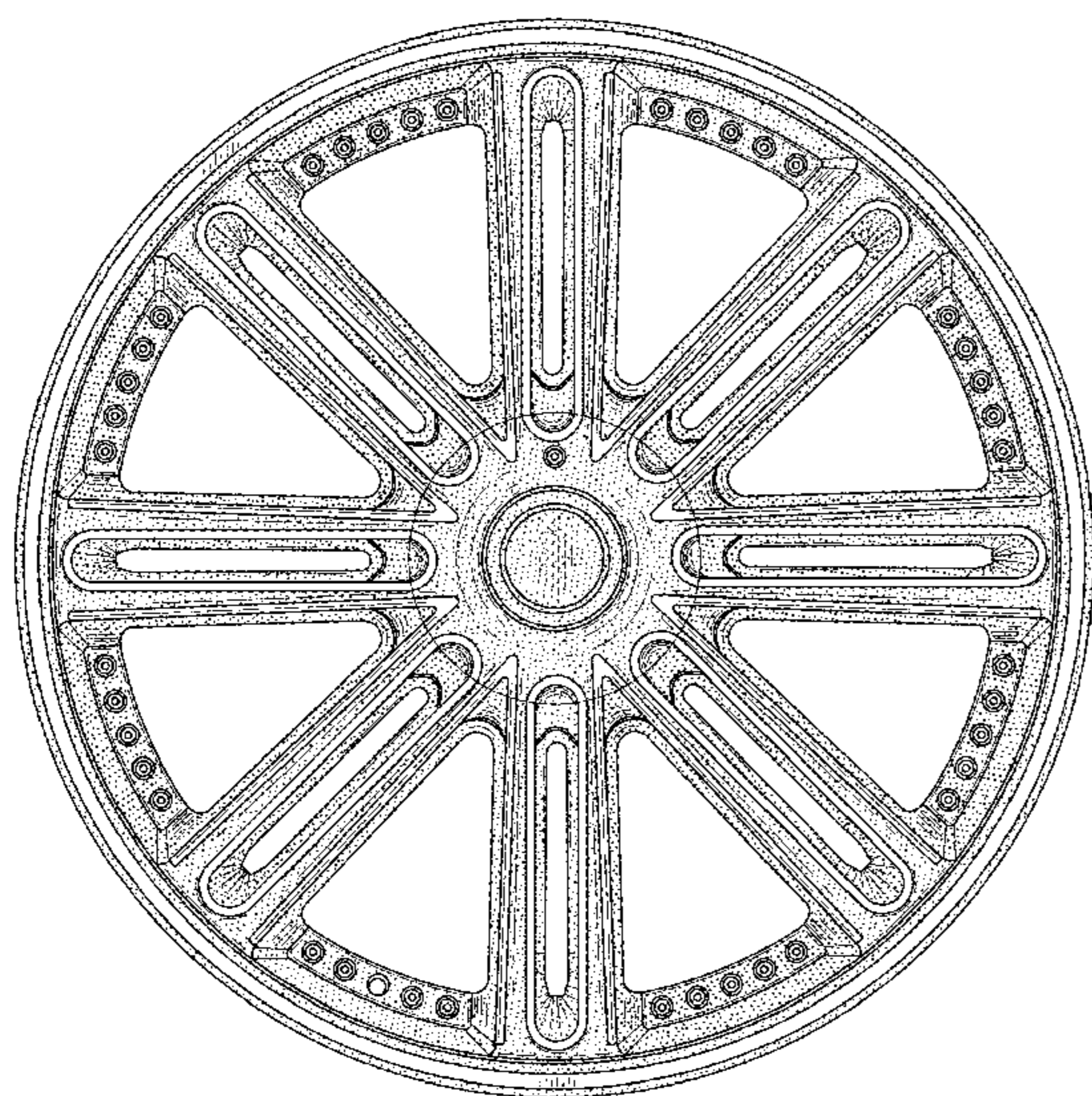
(74) *Attorney, Agent, or Firm* — Cotman IP Law Group, PLC

(57) **CLAIM**  
The ornamental design for a wheel, as shown and described.

**DESCRIPTION**

FIG. 1 is a front view of a wheel showing my new design; and, FIG. 2 is a perspective view thereof.

**1 Claim, 2 Drawing Sheets**





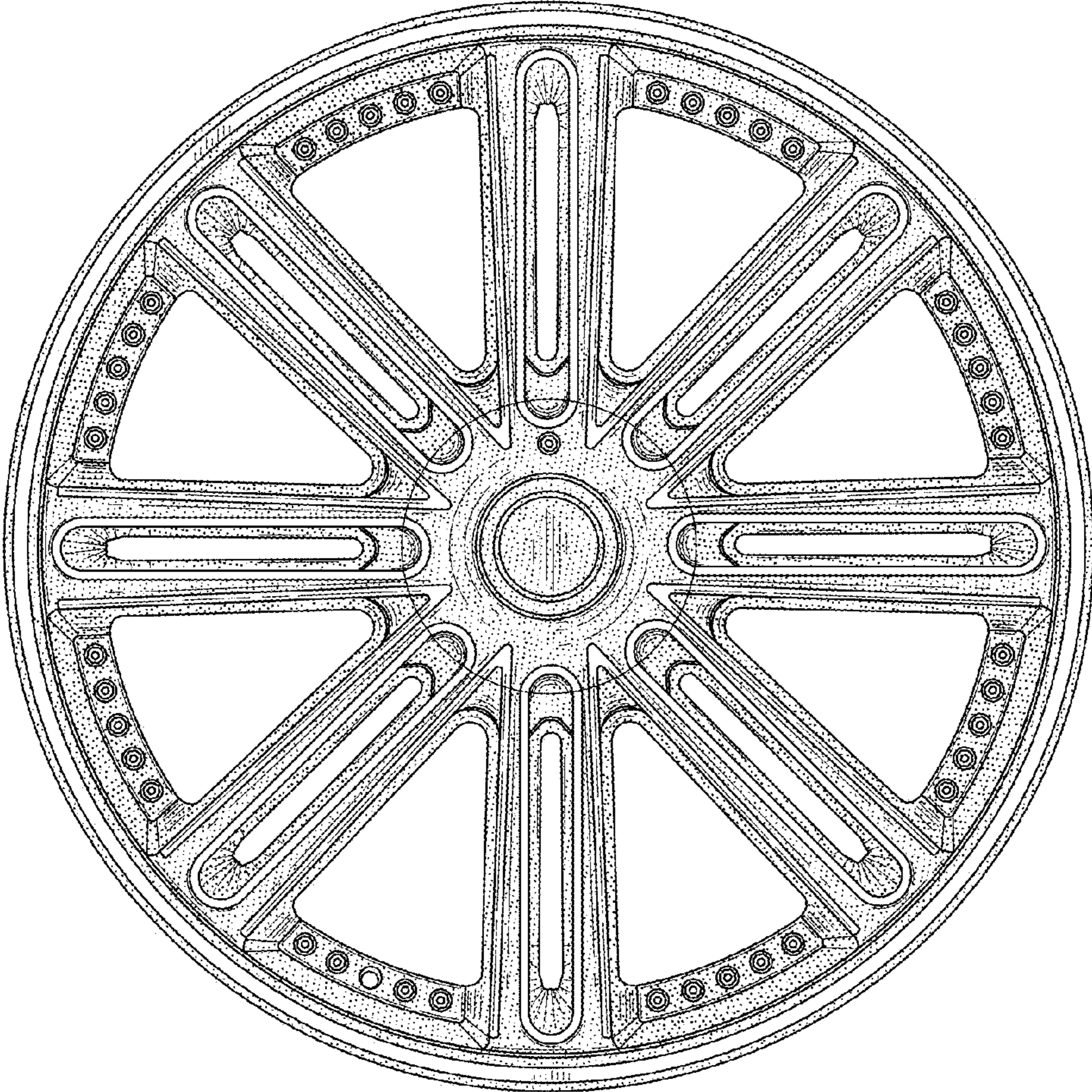


FIGURE 1



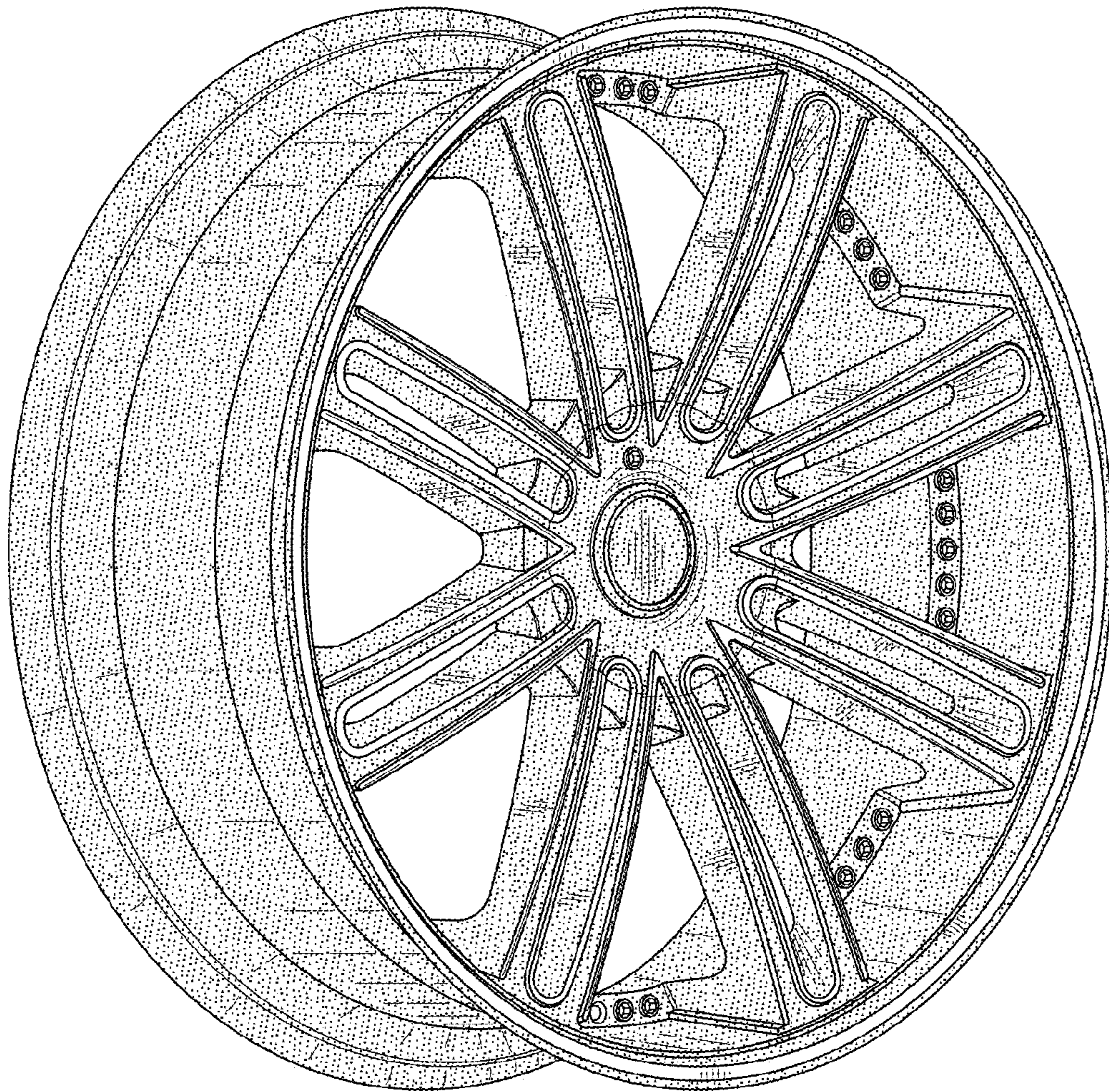


FIGURE 2