



US00D688993S

(12) **United States Design Patent**
Campbell et al.

(10) **Patent No.:** **US D688,993 S**

(45) **Date of Patent:** **** Sep. 3, 2013**

(54) **VEHICLE REAR BUMPER COVER**

(56) **References Cited**

(71) Applicant: **Ford Global Technologies, LLC**,
Dearborn, MI (US)

U.S. PATENT DOCUMENTS

D592,571	S	*	5/2009	Golden et al.	D12/169
D592,572	S	*	5/2009	Golden et al.	D12/169
D669,827	S	*	10/2012	Svensson et al.	D12/169
D678,145	S	*	3/2013	Behmer et al.	D12/169

(72) Inventors: **Paul Campbell**, Essex (GB); **Jordan Bennett**, London (GB)

* cited by examiner

(73) Assignee: **Ford Motor Company**, Dearborn, MI (US)

Primary Examiner — Melody Brown

(74) *Attorney, Agent, or Firm* — Damian Porcari

(**) Term: **14 Years**

(57) **CLAIM**

The ornamental design for a vehicle rear bumper cover, shown and described.

(21) Appl. No.: **29/435,942**

DESCRIPTION

(22) Filed: **Oct. 31, 2012**

(30) **Foreign Application Priority Data**

May 4, 2012 (DE) 40 2012 100 339

(51) **LOC (9) Cl.** **12-16**

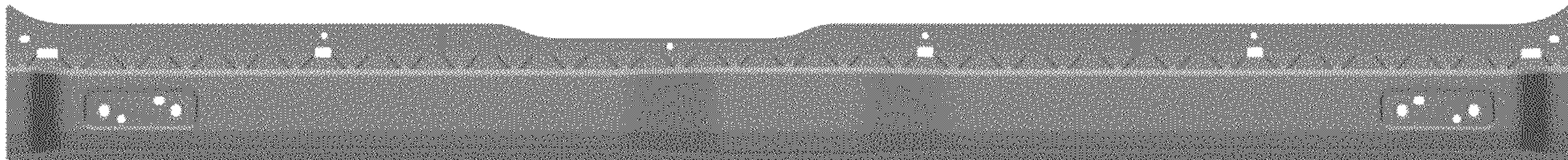
(52) **U.S. Cl.**
USPC **D12/169**

(58) **Field of Classification Search**
USPC D12/86, 90-92; D21/424, 433, 434;
296/181.1, 181.5

See application file for complete search history.

FIG. 1 is a top plan view of a vehicle rear bumper cover;
FIG. 2 is a bottom plan view of the vehicle rear bumper cover;
FIG. 3 is front elevational view of the vehicle rear bumper cover;
FIG. 4 is a left side elevational view of the vehicle rear bumper cover;
FIG. 5 is a right side elevational view of the vehicle rear bumper cover;
FIG. 6 is a perspective view of the vehicle rear bumper cover;
and,
FIG. 7 is another perspective view of the vehicle rear bumper cover.

1 Claim, 7 Drawing Sheets



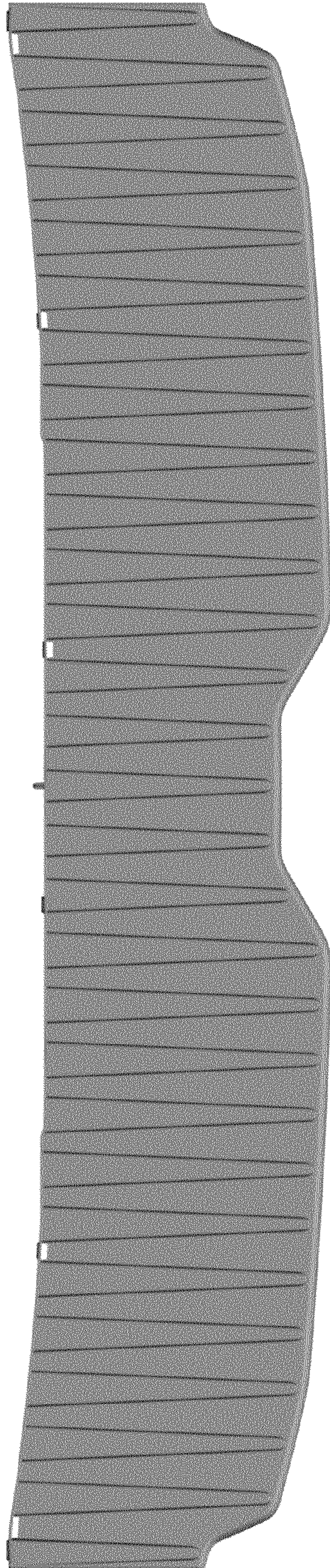


Figure 1

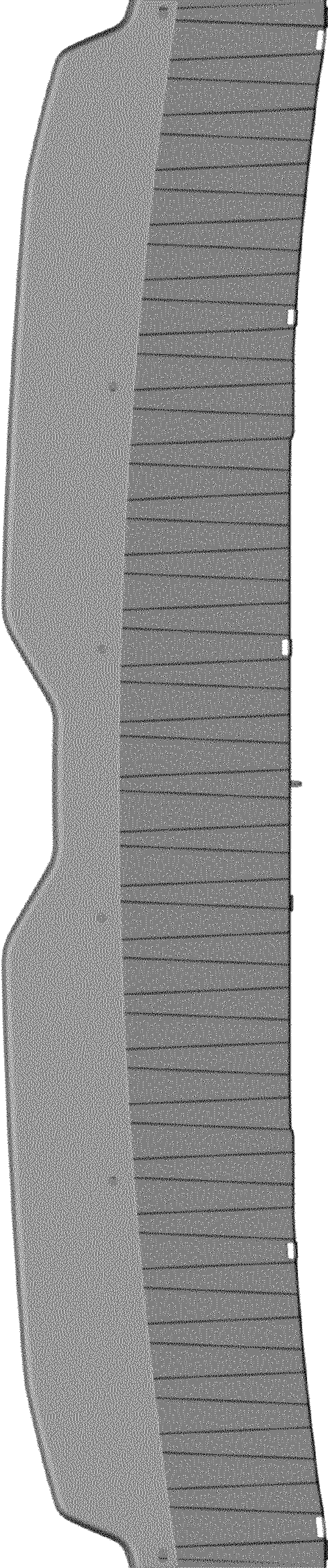


Figure 2

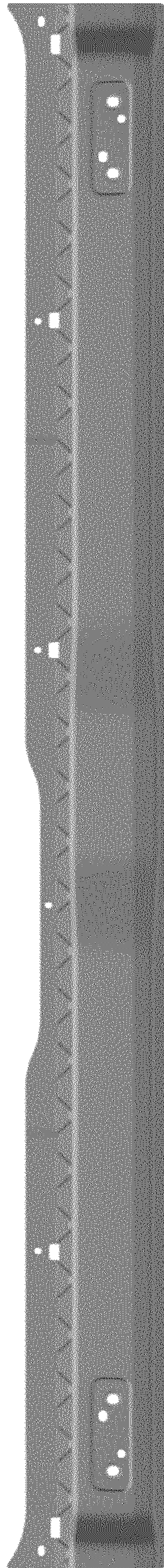


Figure 3

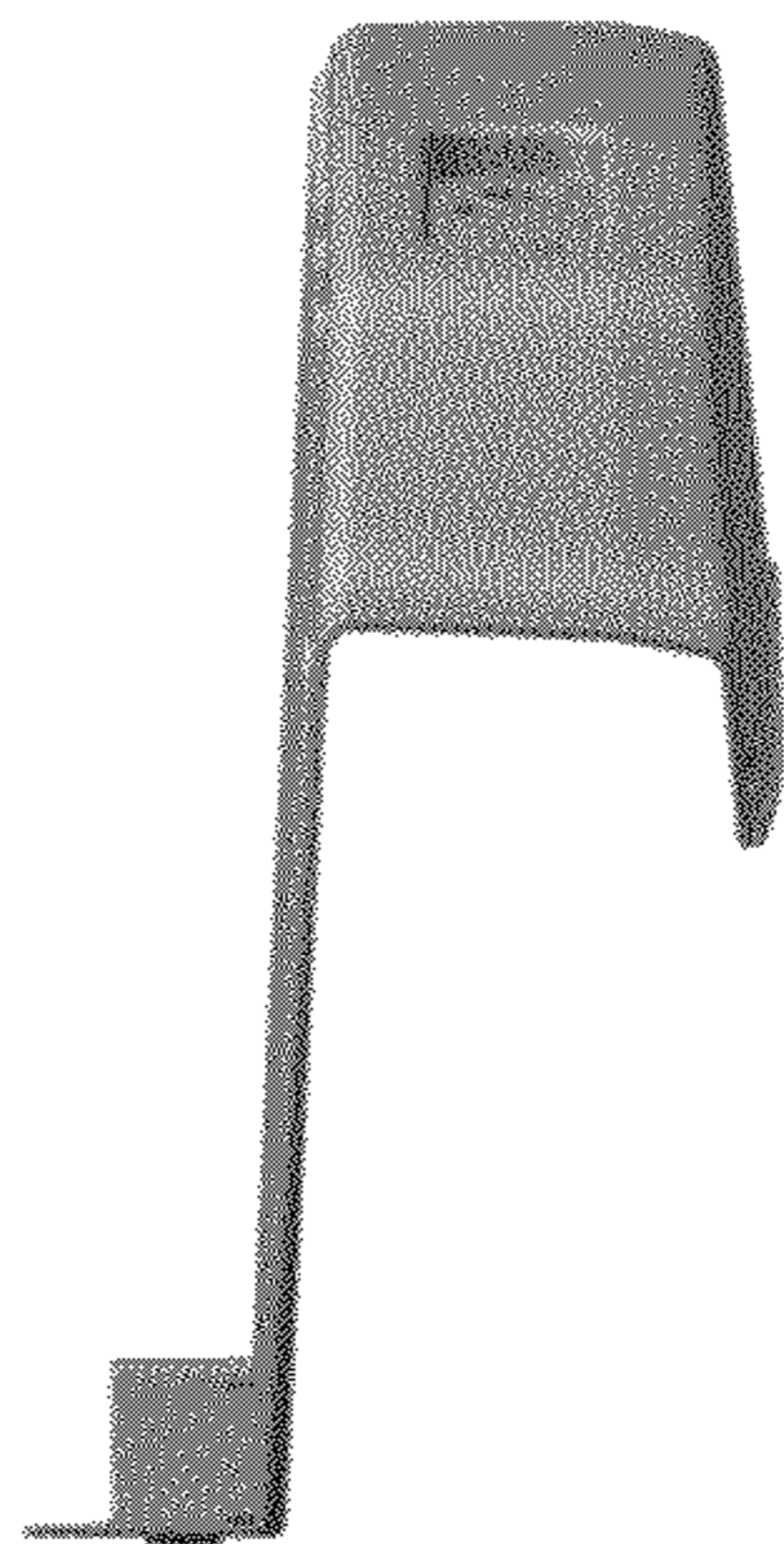


Figure 4

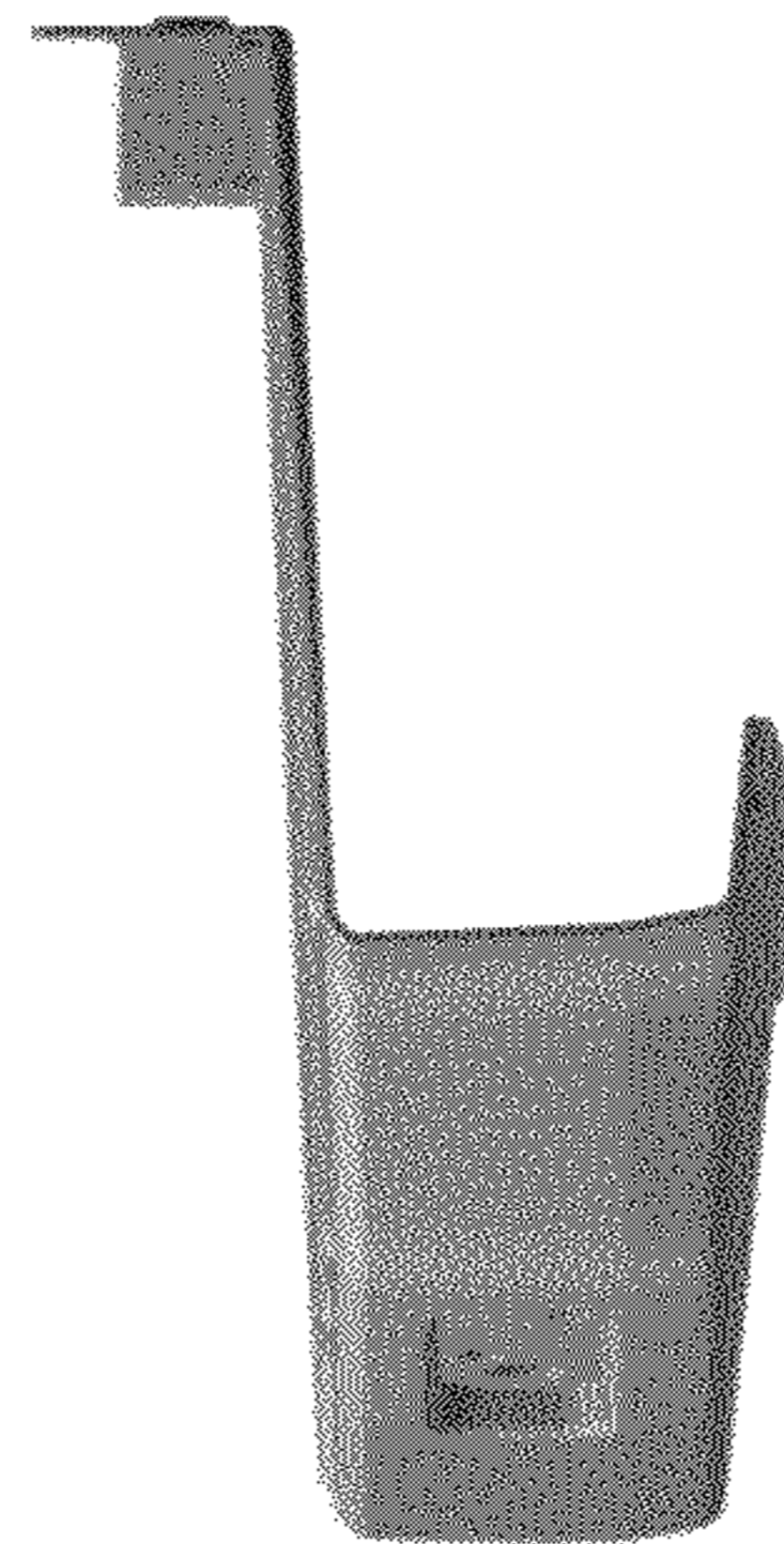


Figure 5

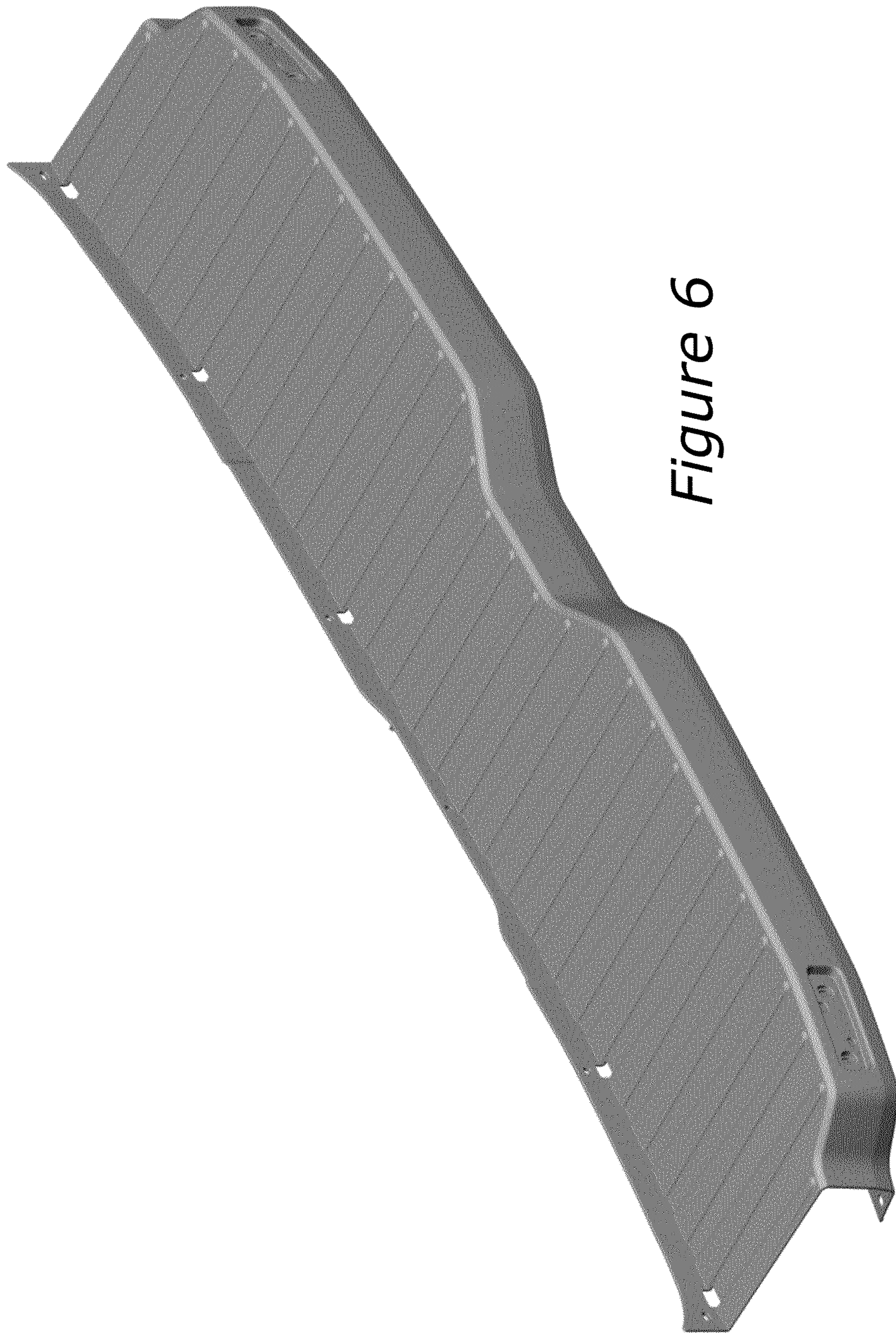


Figure 6

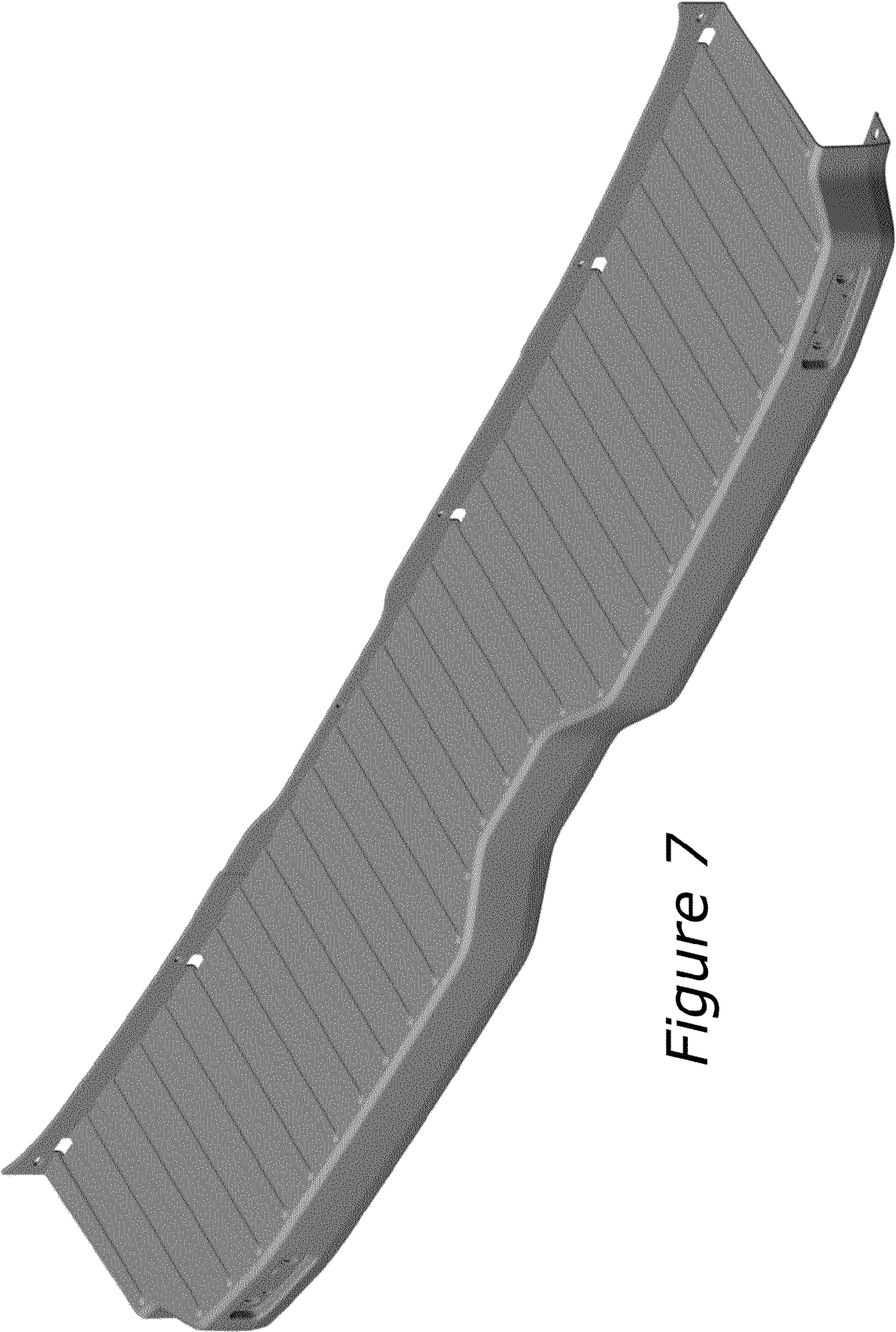


Figure 7