



US00D688992S

(12) **United States Design Patent**
Hildebrand et al.

(10) **Patent No.:** **US D688,992 S**

(45) **Date of Patent:** **** Sep. 3, 2013**

(54) **VEHICLE FRONT BUMPER**

(75) Inventors: **Gert Volker Hildebrand**, Munich (DE);
Philipp Eberl, Graz (AT)

(73) Assignee: **Qoros Automotive Co., Ltd.**, Changshu,
Jiangsu Province (CN)

(**) Term: **14 Years**

(21) Appl. No.: **29/419,627**

(22) Filed: **Apr. 30, 2012**

(30) **Foreign Application Priority Data**

Nov. 3, 2011 (CN) 2011 3 0420733

(51) **LOC (9) Cl.** **12-16**

(52) **U.S. Cl.**
USPC **D12/169**

(58) **Field of Classification Search**
USPC D12/169, 196, 171, 216, 163, 86,
D12/90-92; 293/102, 113, 115, 117, 120;
296/180.1, 180.2

See application file for complete search history.

(56) **References Cited**

U.S. PATENT DOCUMENTS

D550,594 S * 9/2007 Pfeiffer D12/169
D578,451 S * 10/2008 Jodo et al. D12/169
D580,314 S * 11/2008 Yamaji D12/169
D586,705 S * 2/2009 Bauer et al. D12/169
D589,414 S * 3/2009 Futschik et al. D12/169
D605,096 S * 12/2009 Mueller D12/169

D610,956 S * 3/2010 Truebsbach D12/169
D623,566 S * 9/2010 Bauer et al. D12/169
D625,230 S * 10/2010 Hirai et al. D12/169
D626,473 S * 11/2010 Mueller D12/169
D630,978 S * 1/2011 Koshino et al. D12/169
D633,013 S * 2/2011 Bauer et al. D12/169
D636,303 S * 4/2011 Frei et al. D12/169
D656,871 S * 4/2012 Fetherston et al. D12/169
D670,627 S * 11/2012 Fetherston et al. D12/169

* cited by examiner

Primary Examiner — Melody Brown

(57) **CLAIM**

The ornamental design for a vehicle front bumper, as shown and described.

DESCRIPTION

FIG. 1 is a front view of a vehicle front bumper.
FIG. 2 is a rear view of the vehicle front bumper of FIG. 1.
FIG. 3 is a left side view of the vehicle front bumper of FIG. 1.
FIG. 4 is a right side view of the vehicle front bumper of FIG. 1.
FIG. 5 is a top view of the vehicle front bumper of FIG. 1.
FIG. 6 is a bottom view of the vehicle front bumper of FIG. 1.
FIG. 7 is a front right side perspective view of the vehicle front bumper of FIG. 1; and,
FIG. 8 is a front left side perspective view of the vehicle front bumper of FIG. 1.

1 Claim, 4 Drawing Sheets

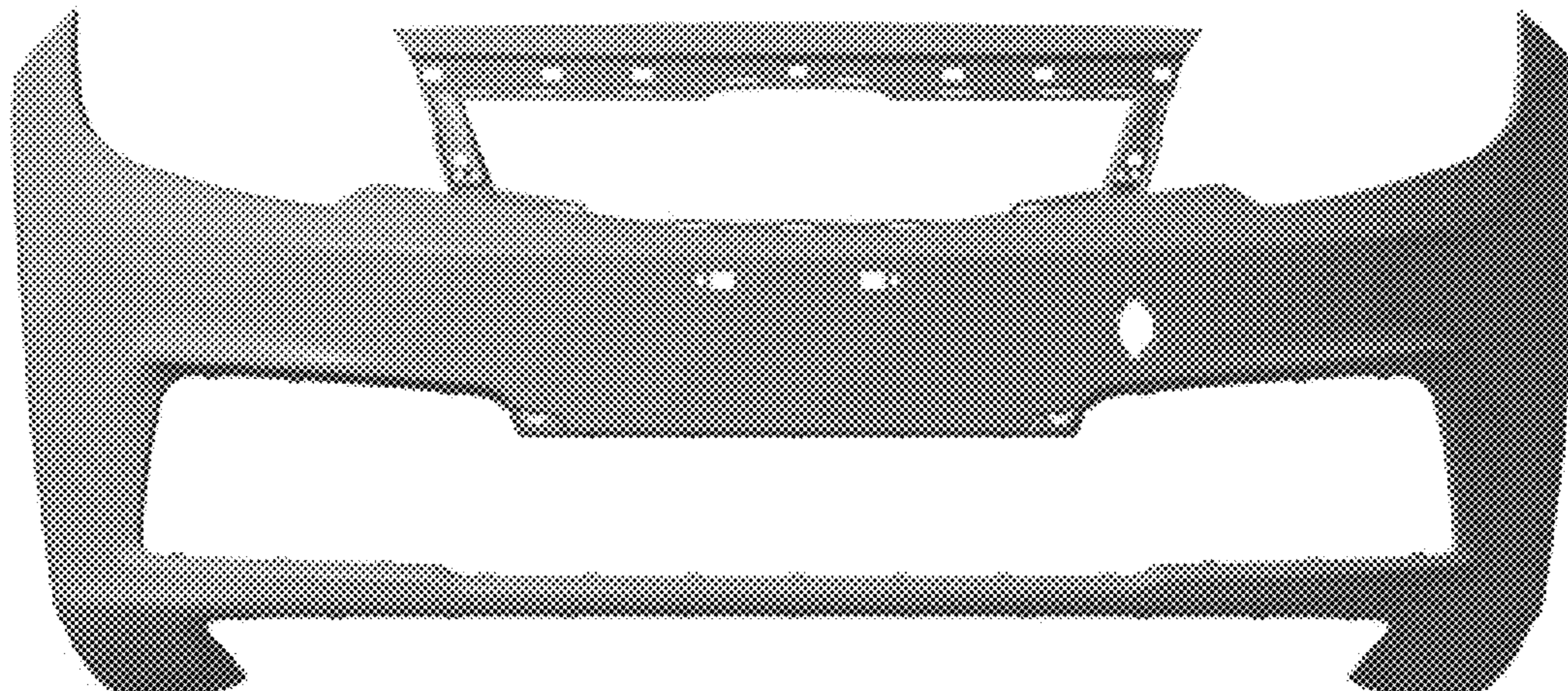


FIG. 1

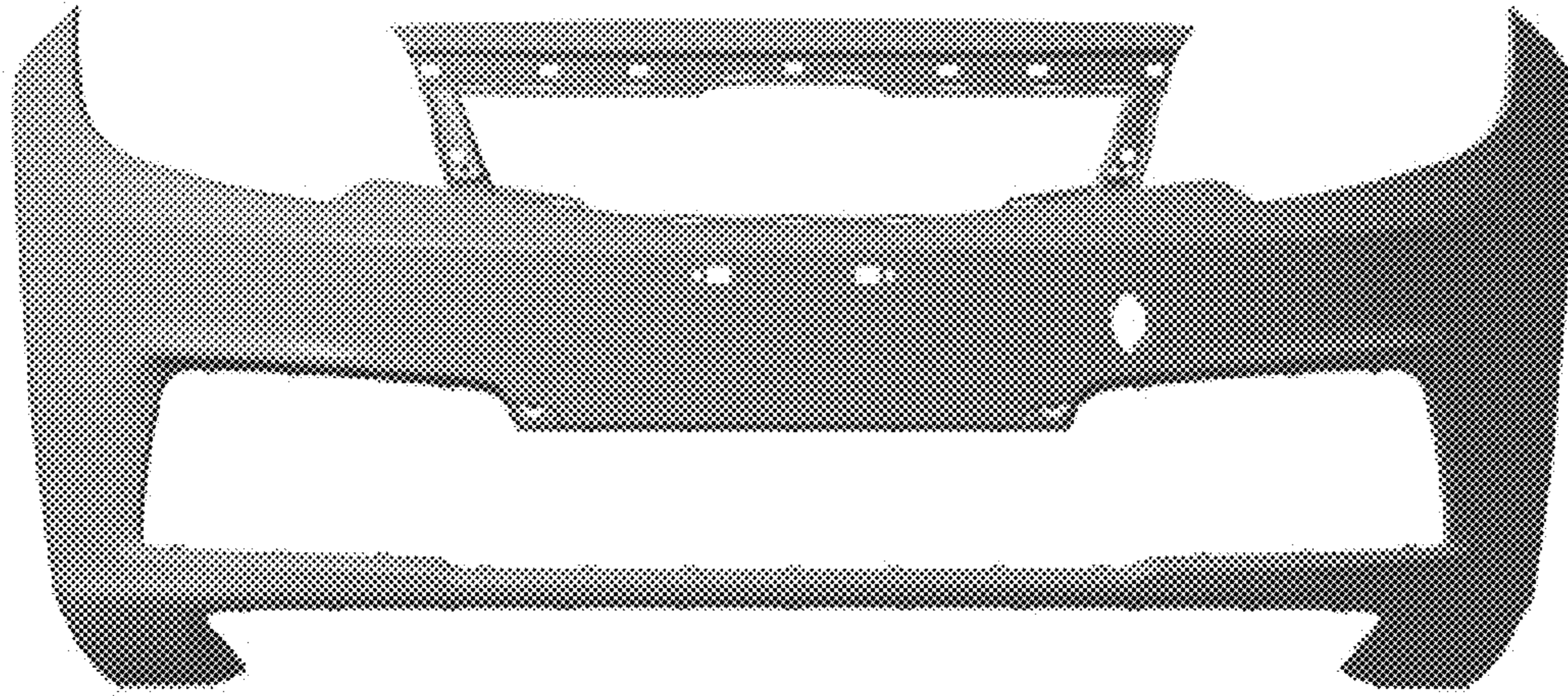


FIG. 2

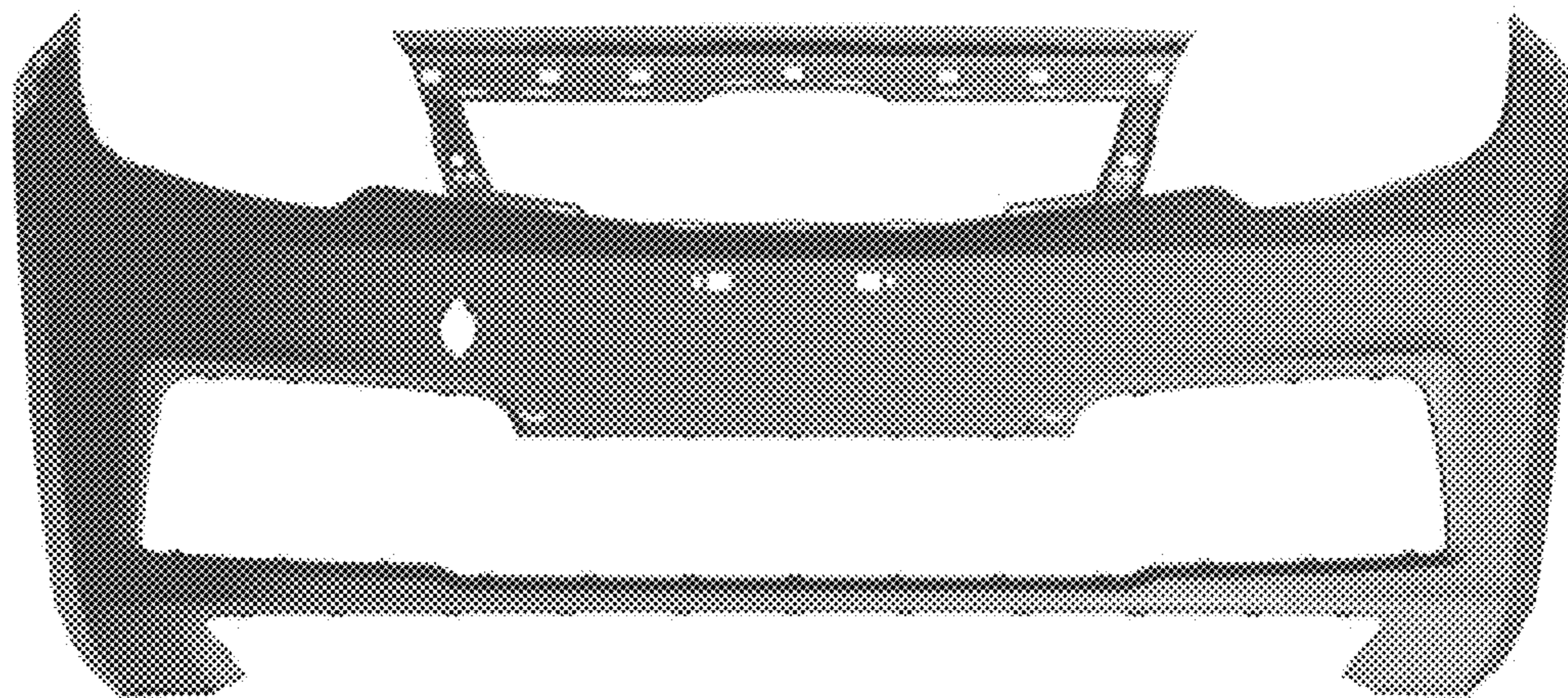


FIG. 3

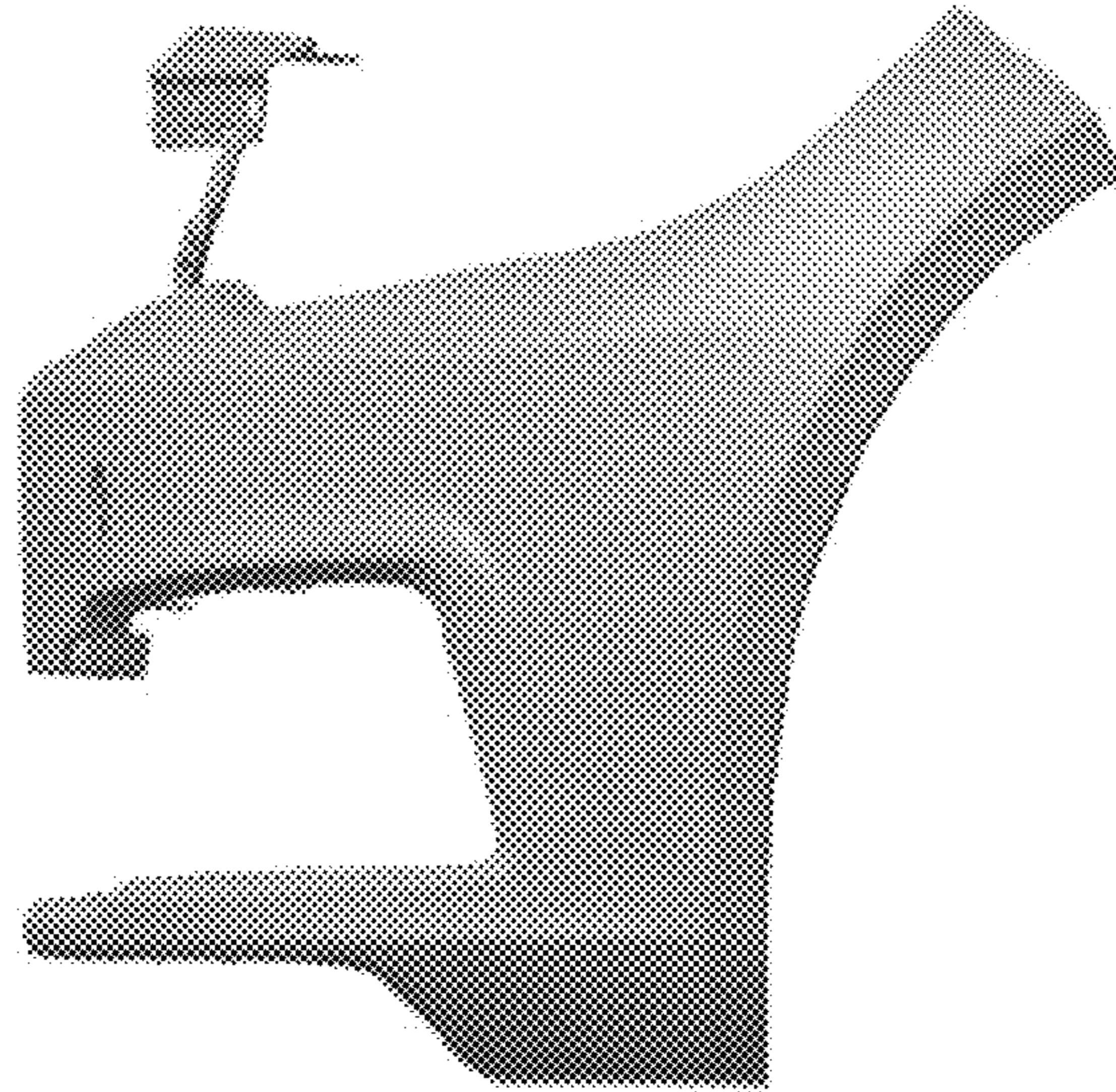
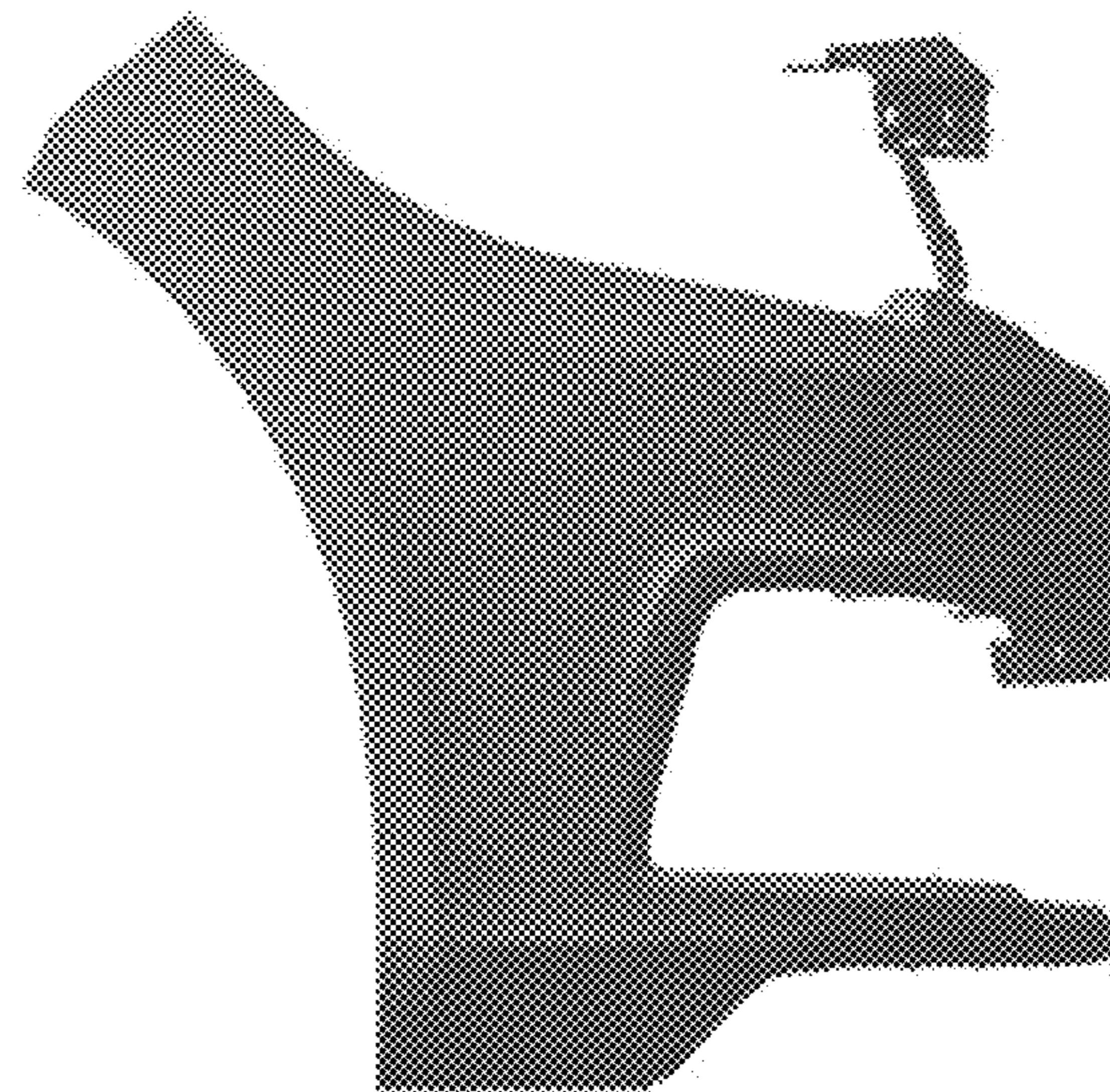


FIG. 4



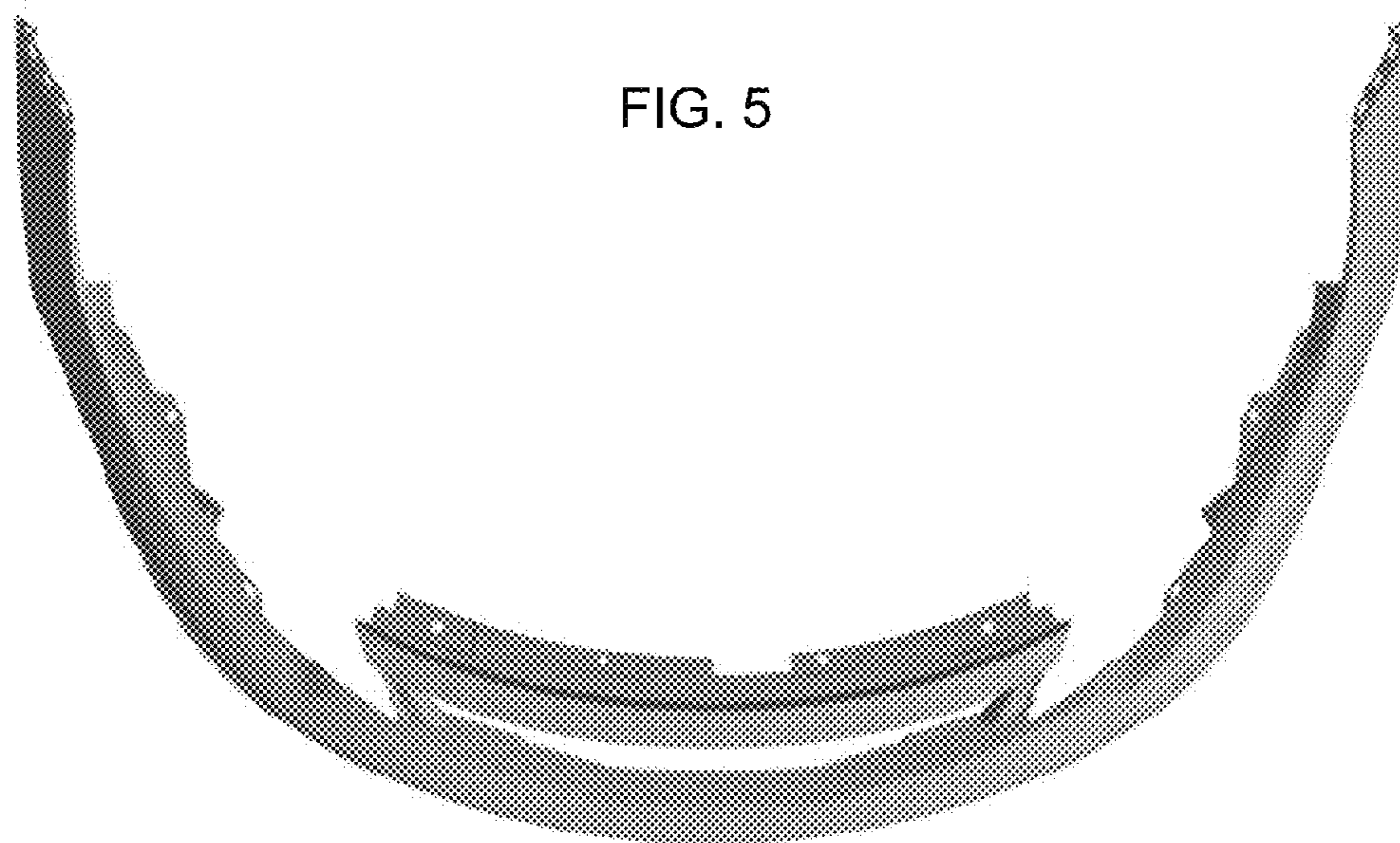


FIG. 5

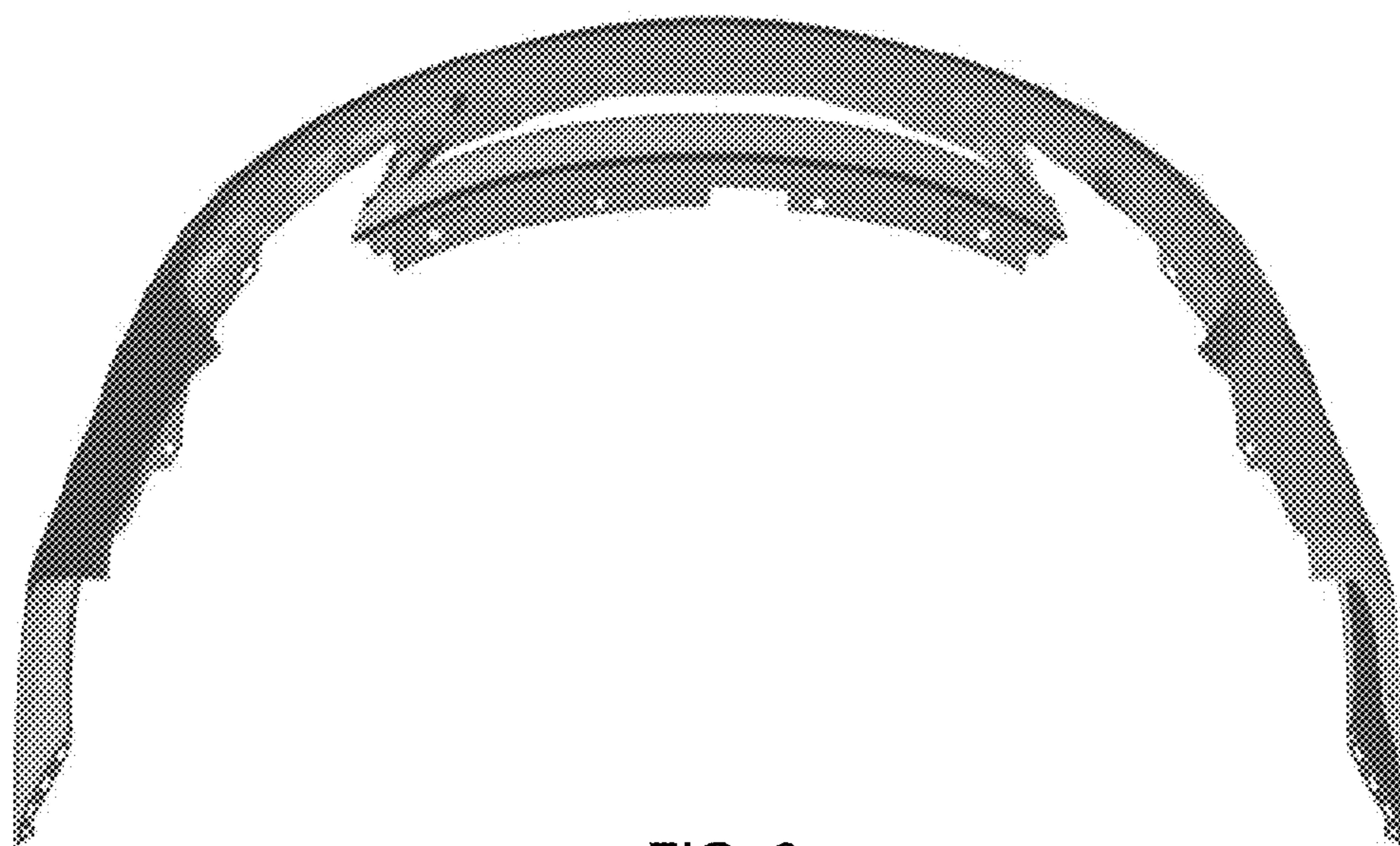


FIG. 6

FIG. 7

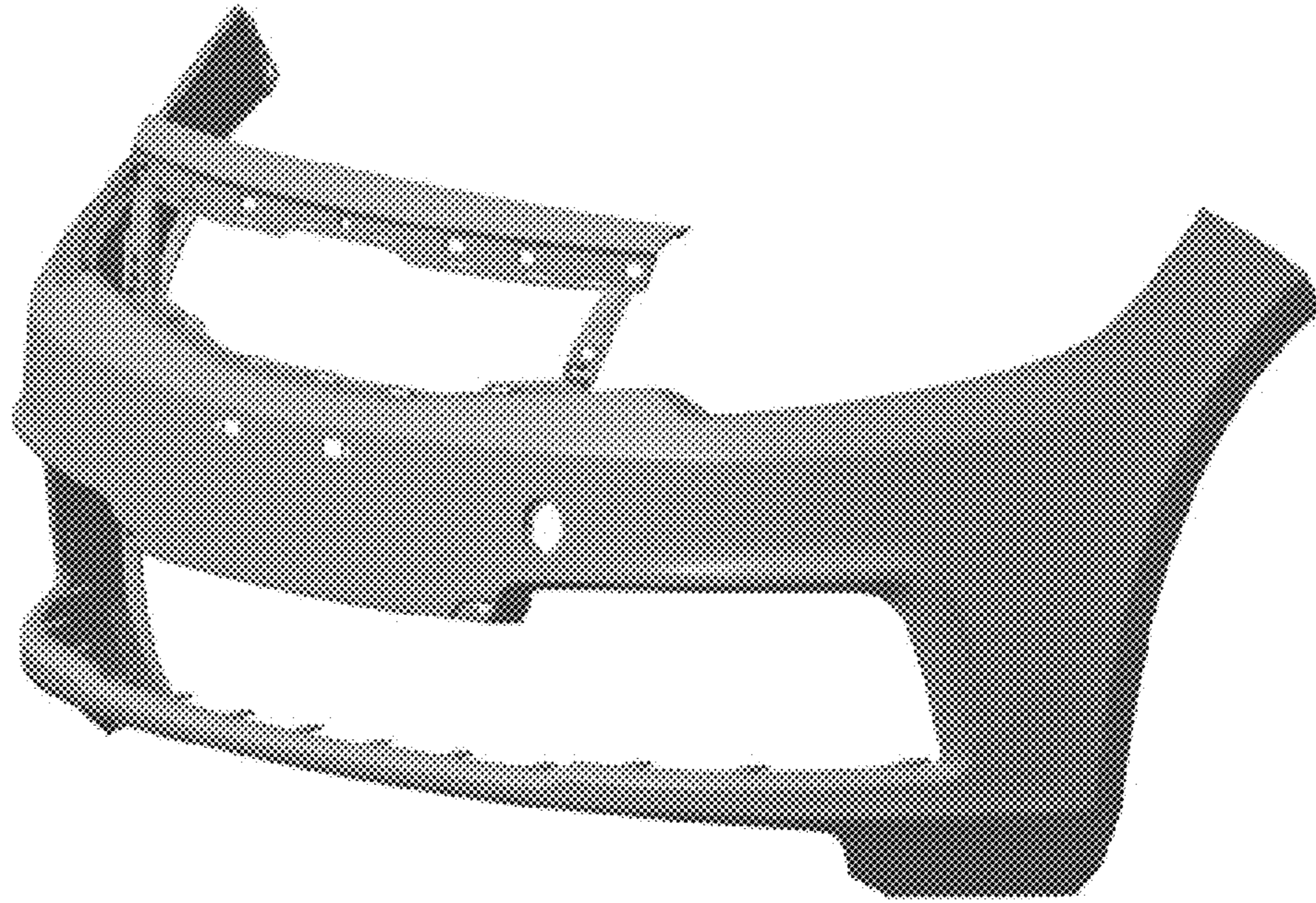


FIG. 8

