



US00D688988S

(12) **United States Design Patent**
Varga

(10) **Patent No.:** **US D688,988 S**
(45) **Date of Patent:** **** Sep. 3, 2013**

(54) **FRONT BUMPER FOR A MOTOR VEHICLE**

(75) Inventor: **Peter Varga**, Pforzheim (DE)

(73) Assignee: **Dr. Ing. h.c. F. Porsche**
Aktiengesellschaft, Stuttgart (DE)

(**) Term: **14 Years**

(21) Appl. No.: **29/399,959**

(22) Filed: **Aug. 22, 2011**

(30) **Foreign Application Priority Data**

Feb. 24, 2011 (DE) 40 2011 002 505

(51) **LOC (9) Cl.** **12-16**

(52) **U.S. Cl.**
USPC **D12/169**

(58) **Field of Classification Search**
USPC D12/169, 196, 171, 216, 163, 86,
D12/90-92; 293/102, 113, 115, 117, 120;
296/180.1, 180.2

See application file for complete search history.

(56) **References Cited**

U.S. PATENT DOCUMENTS

D522,937 S * 6/2006 Tada D12/169
D576,928 S * 9/2008 Miyazaki D12/169
D578,447 S * 10/2008 Sawai D12/169
D583,723 S * 12/2008 Murakami D12/169
D583,730 S * 12/2008 Tonello D12/169
D584,202 S * 1/2009 Sonoda et al. D12/169

D585,797 S * 2/2009 Suzuki et al. D12/169
D586,271 S * 2/2009 Futschik et al. D12/169
D610,500 S * 2/2010 Kulla et al. D12/169
D620,404 S * 7/2010 Ward D12/169
D627,275 S * 11/2010 Sakae et al. D12/169
D647,437 S * 10/2011 Varga D12/169
D659,606 S 5/2012 Varga
D659,607 S 5/2012 Robinson
D666,130 S 8/2012 Varga
D682,759 S 5/2013 Robinson

FOREIGN PATENT DOCUMENTS

DE 402010002393.5 4/2010
DE 402010002398.6 6/2010
DE 402010004054.6 8/2010
DE 402010002555.8 5/2011
DE 402011002574.4 5/2011

* cited by examiner

Primary Examiner — Melody Brown

(74) *Attorney, Agent, or Firm* — RatnerPrestia

(57) **CLAIM**

The ornamental design of a front bumper for a motor vehicle, as shown and described.

DESCRIPTION

FIG. 1 is a perspective view of a front bumper for a motor vehicle;

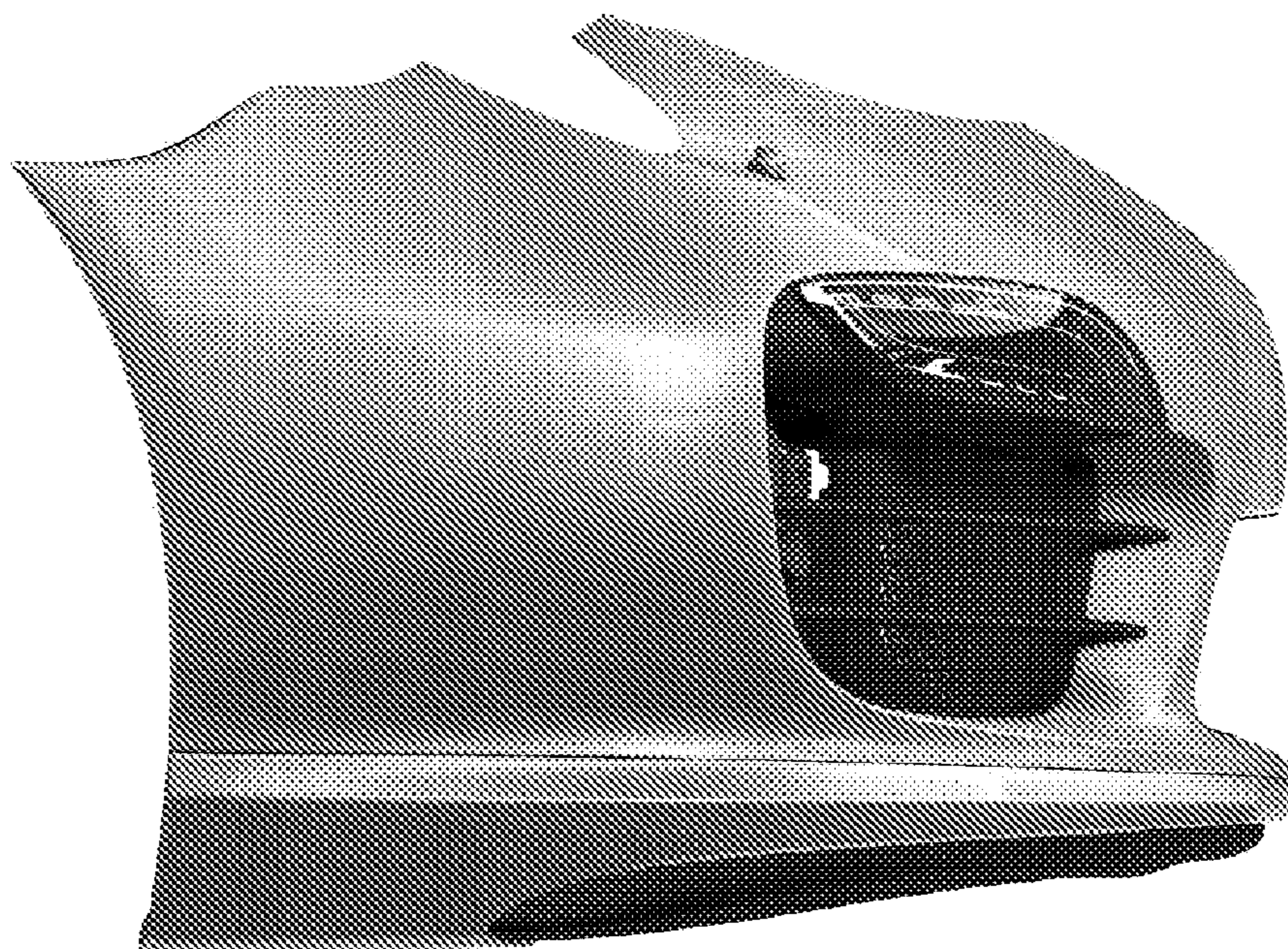
FIG. 2 is a front elevation view thereof;

FIG. 3 is an elevation view from the right side thereof;

FIG. 4 is an elevation view from the left side thereof; and,

FIG. 5 is a top plan view thereof.

1 Claim, 3 Drawing Sheets



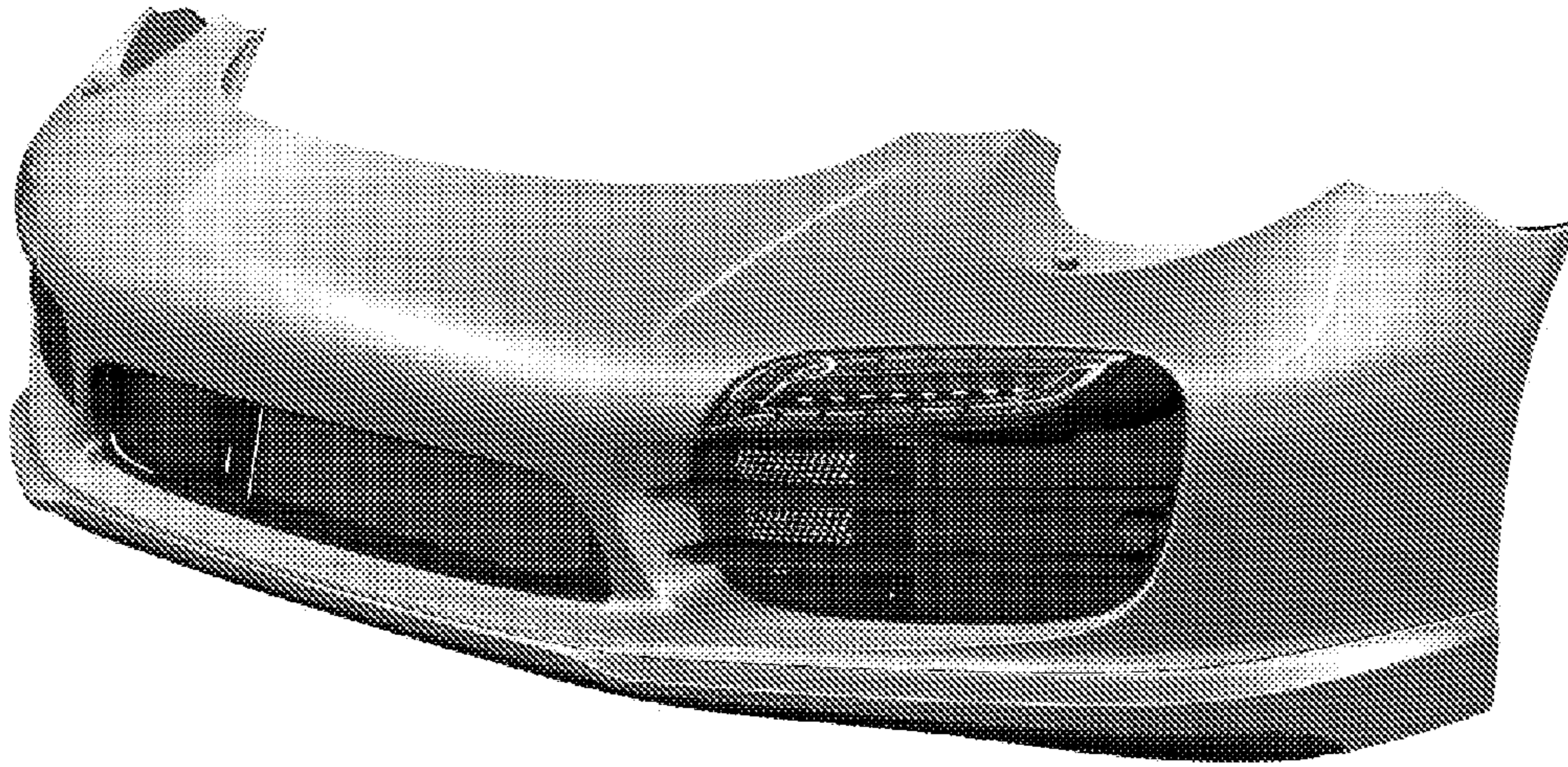


Figure 1

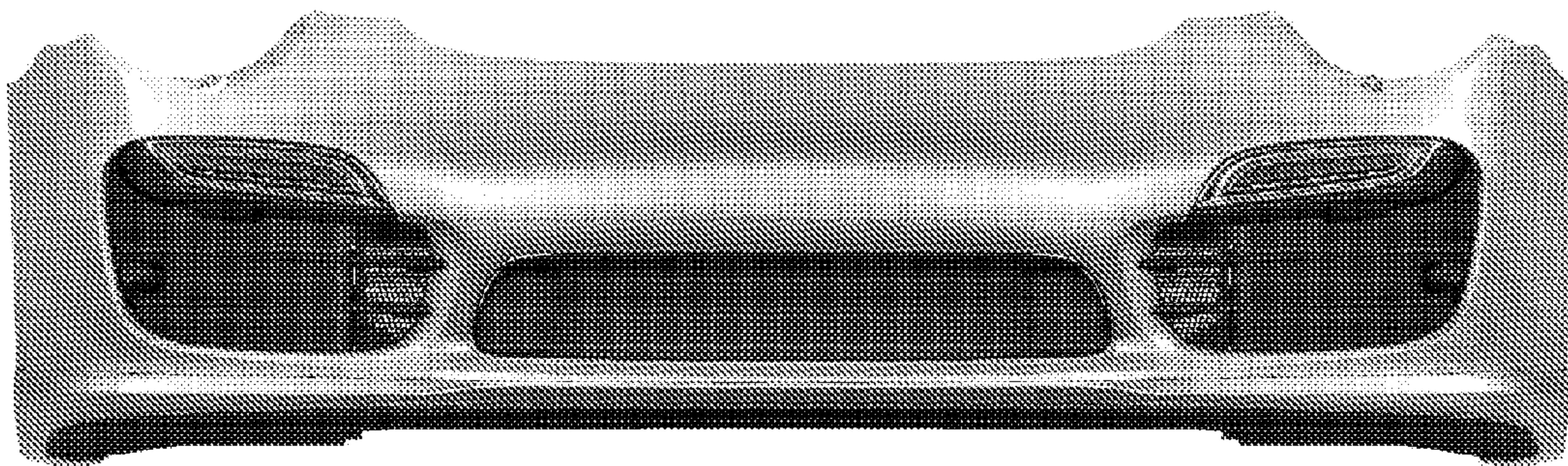


Figure 2

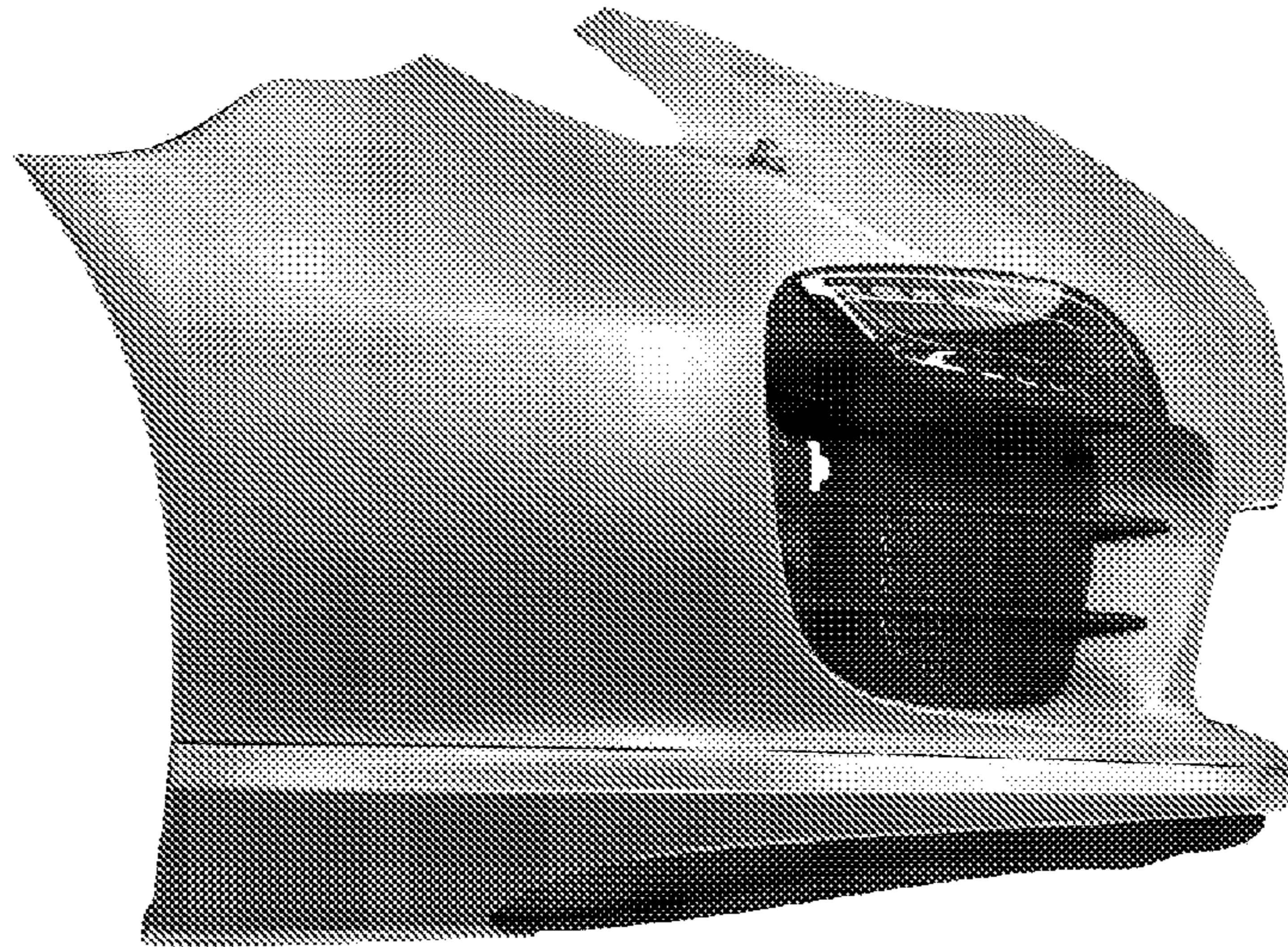


Figure 3

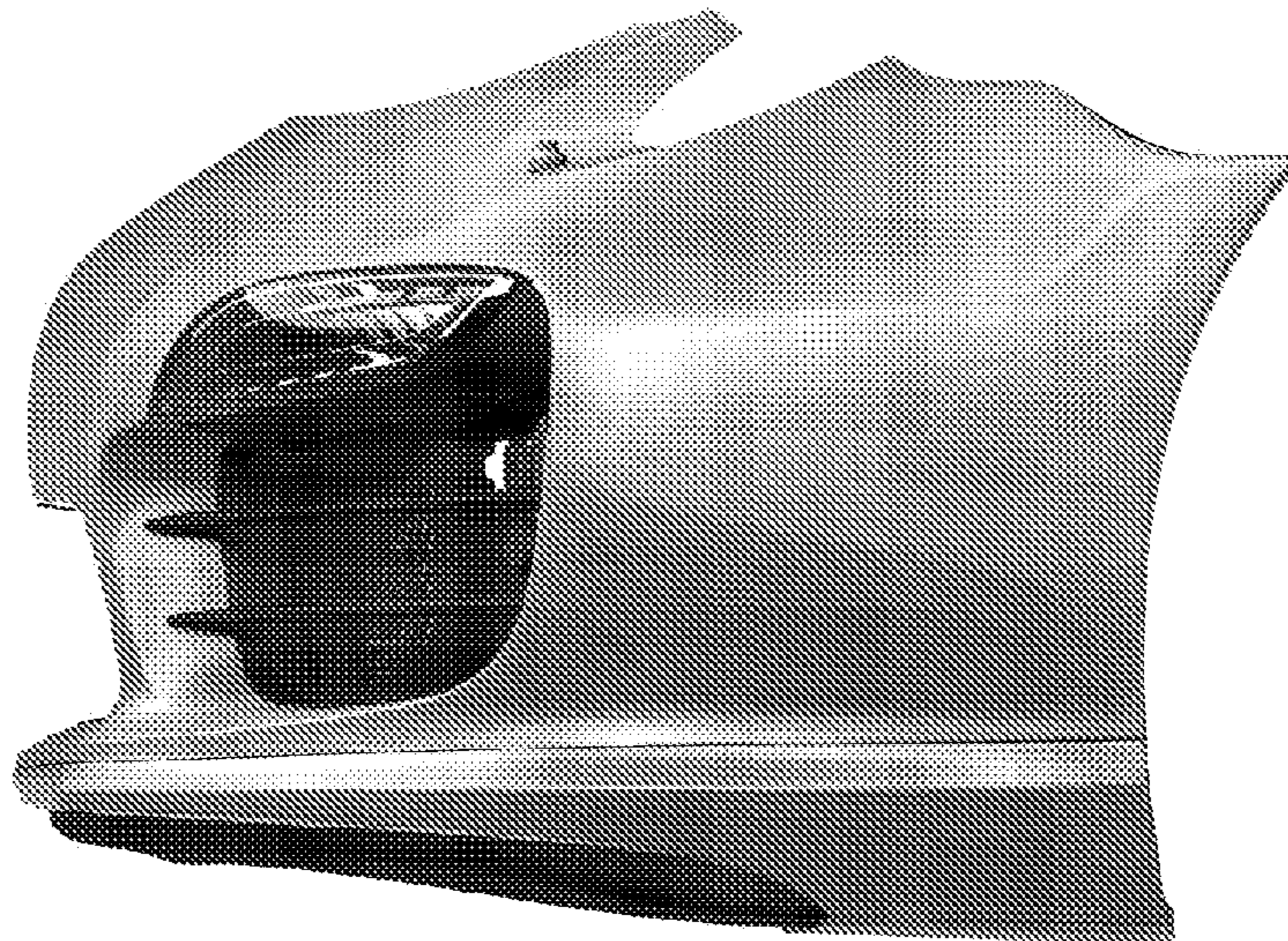


Figure 4

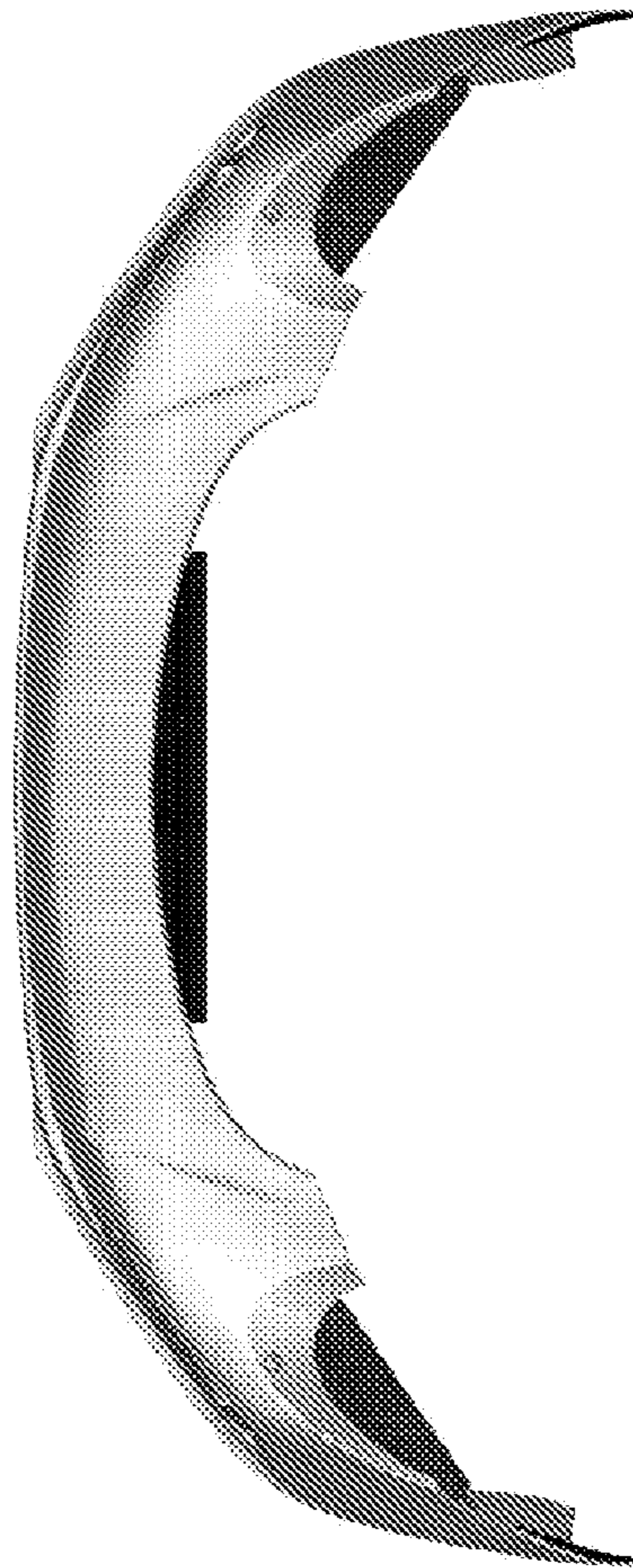


Figure 5