



US00D688986S

(12) **United States Design Patent**
Duffy

(10) **Patent No.:** **US D688,986 S**
(45) **Date of Patent:** **** Sep. 3, 2013**

(54) **PUCK HITCH DEVICE**

(56) **References Cited**

(76) Inventor: **Michael E. Duffy**, Plattsmouth, NE (US)

U.S. PATENT DOCUMENTS

(**) Term: **14 Years**

D356,888	S	*	4/1995	Myers et al.	D3/254
6,053,627	A	*	4/2000	Vo et al.	362/485
D561,001	S	*	2/2008	Rohde et al.	D8/334
D594,311	S	*	6/2009	Stevens	D8/334
D665,987	S	*	8/2012	El et al.	D2/976

(21) Appl. No.: **29/428,042**

(22) Filed: **Jul. 25, 2012**

* cited by examiner

Related U.S. Application Data

(62) Division of application No. 29/373,365, filed on Apr. 1, 2011, now Pat. No. Des. 666,538.

Primary Examiner — Michael A Pratt

(74) *Attorney, Agent, or Firm* — Dennis L. Thomte; Thomte Patent Law Office LLC

(51) **LOC (9) Cl.** **12-16**

(57) **CLAIM**

The ornamental design for a puck hitch device, as shown and described.

(52) **U.S. Cl.**

USPC **D12/162**

DESCRIPTION

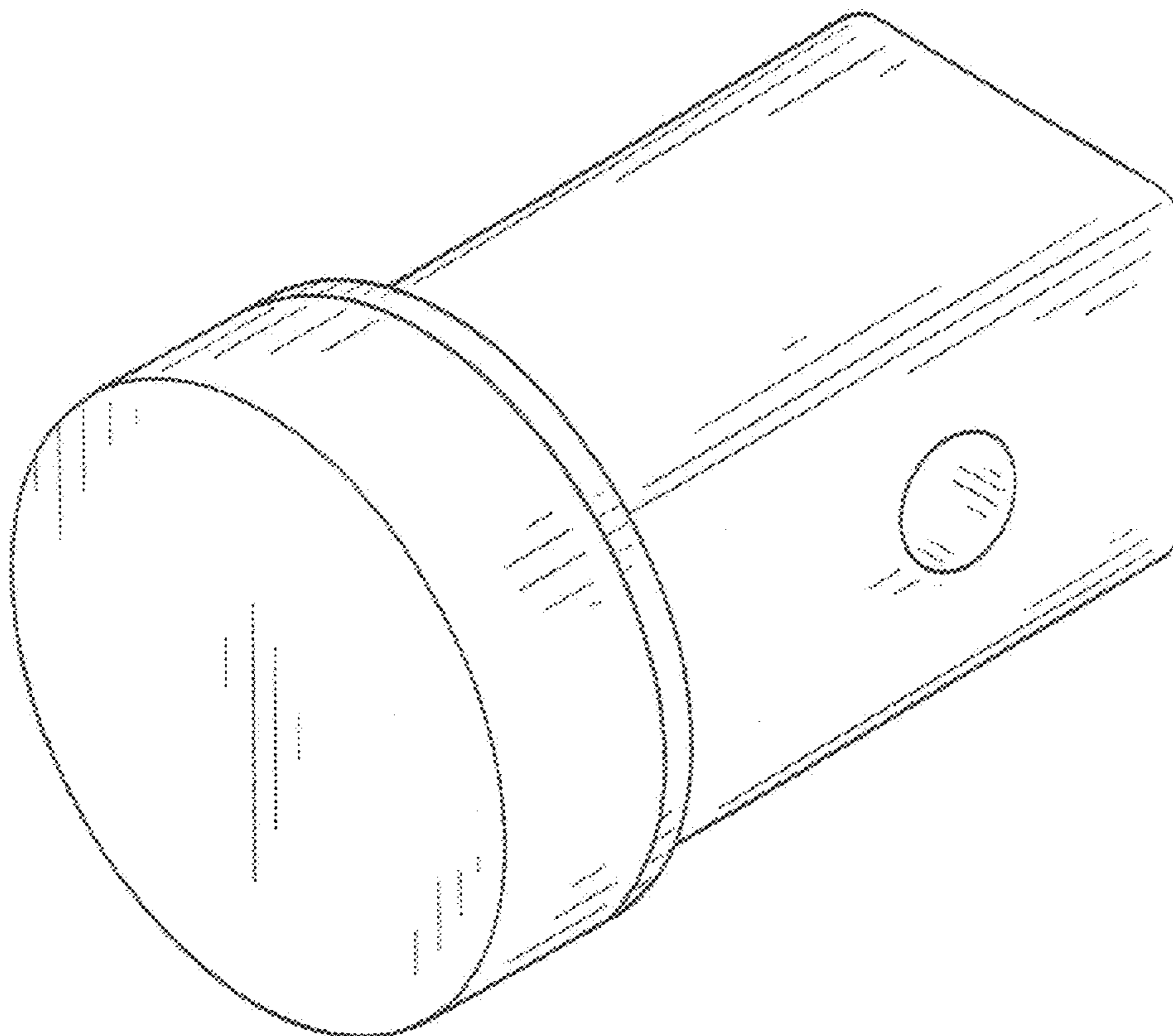
(58) **Field of Classification Search**

USPC D12/159, 160, 161, 162; 56/DIG. 14; 280/406.2, 407, 407.1, 408, 411.1, 416.1, 280/416.2, 416.3, 418, 418.1, 433, 434, 435, 280/441.1, 441.2, 455.1, 456.1, 480, 493, 280/504, 508, 511; 172/47; 224/42.11, 42.12, 224/42.14, 42.26, 400, 401, 412, 413, 488, 224/494, 537

FIG. 1 is a front perspective view of the puck hitch device; FIG. 2 is a front view of the puck hitch device of FIG. 1; FIG. 3 is a right side view of the puck hitch device of FIG. 1; FIG. 4 is a left side view of the puck hitch device of FIG. 1; FIG. 5 is a rear view of the puck hitch device of FIG. 1; FIG. 6 is a top view of the puck hitch device of FIG. 1; and, FIG. 7 is a bottom view of the puck hitch device of FIG. 1.

See application file for complete search history.

1 Claim, 3 Drawing Sheets



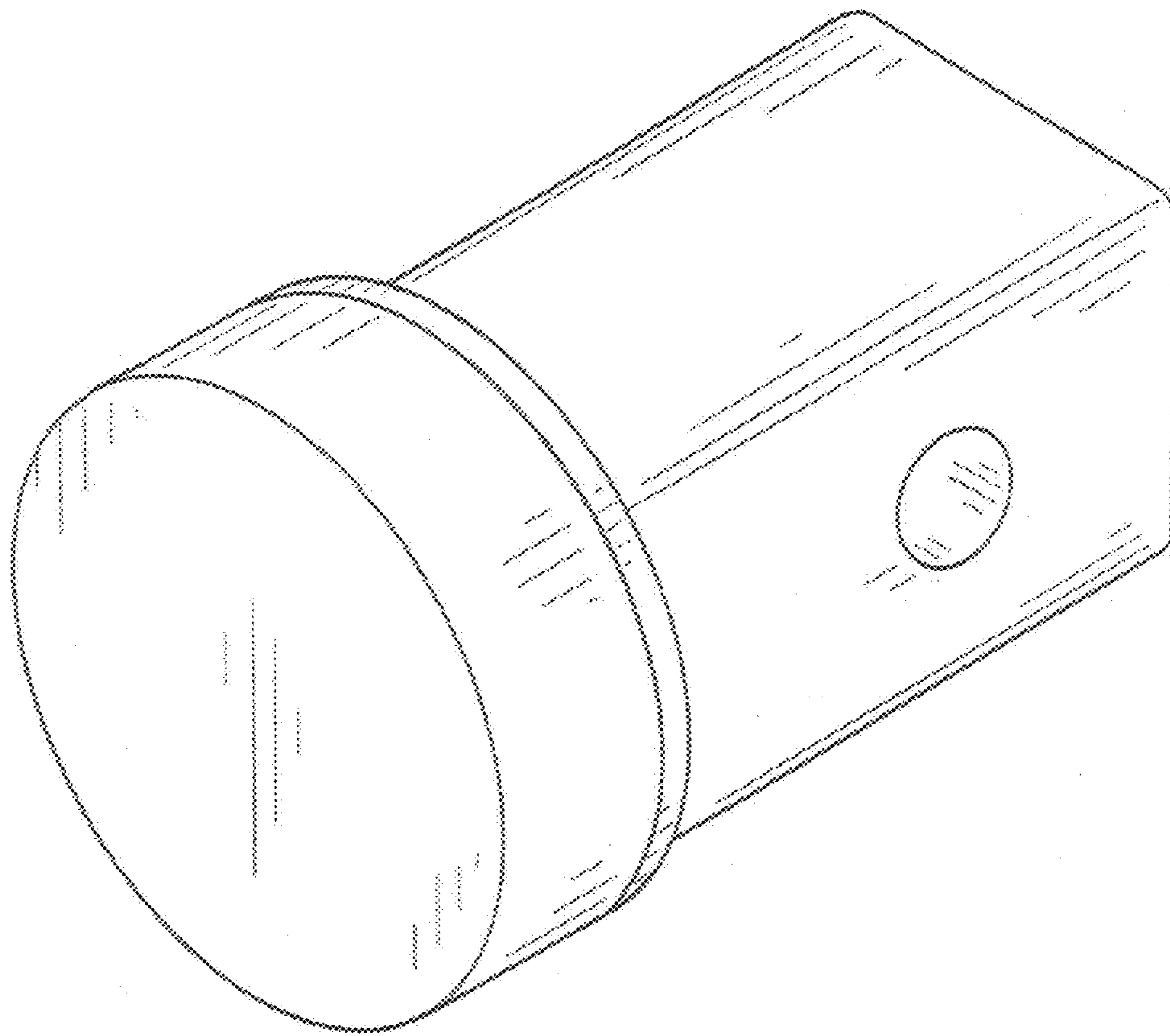


FIG. 1

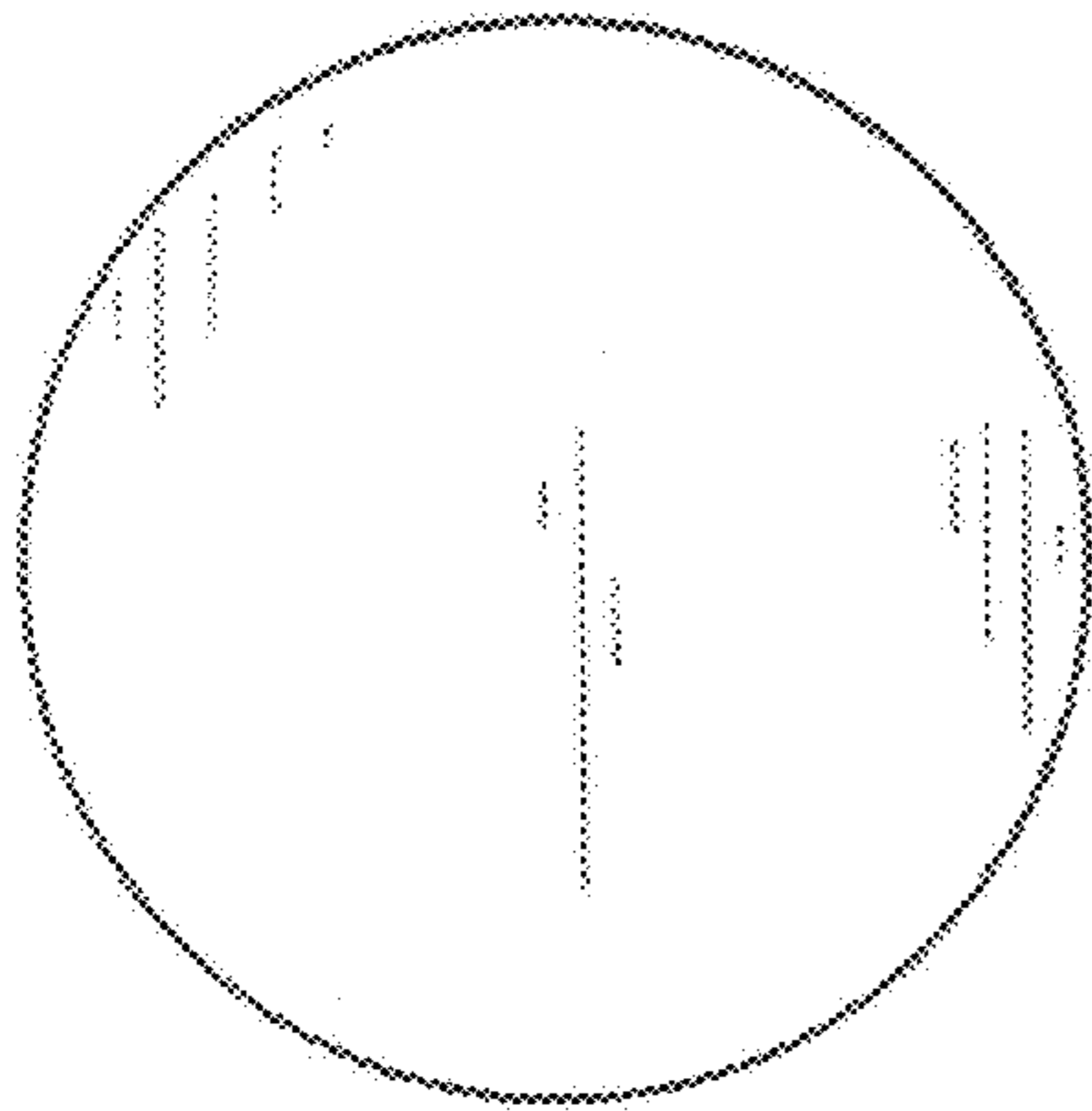


FIG. 2

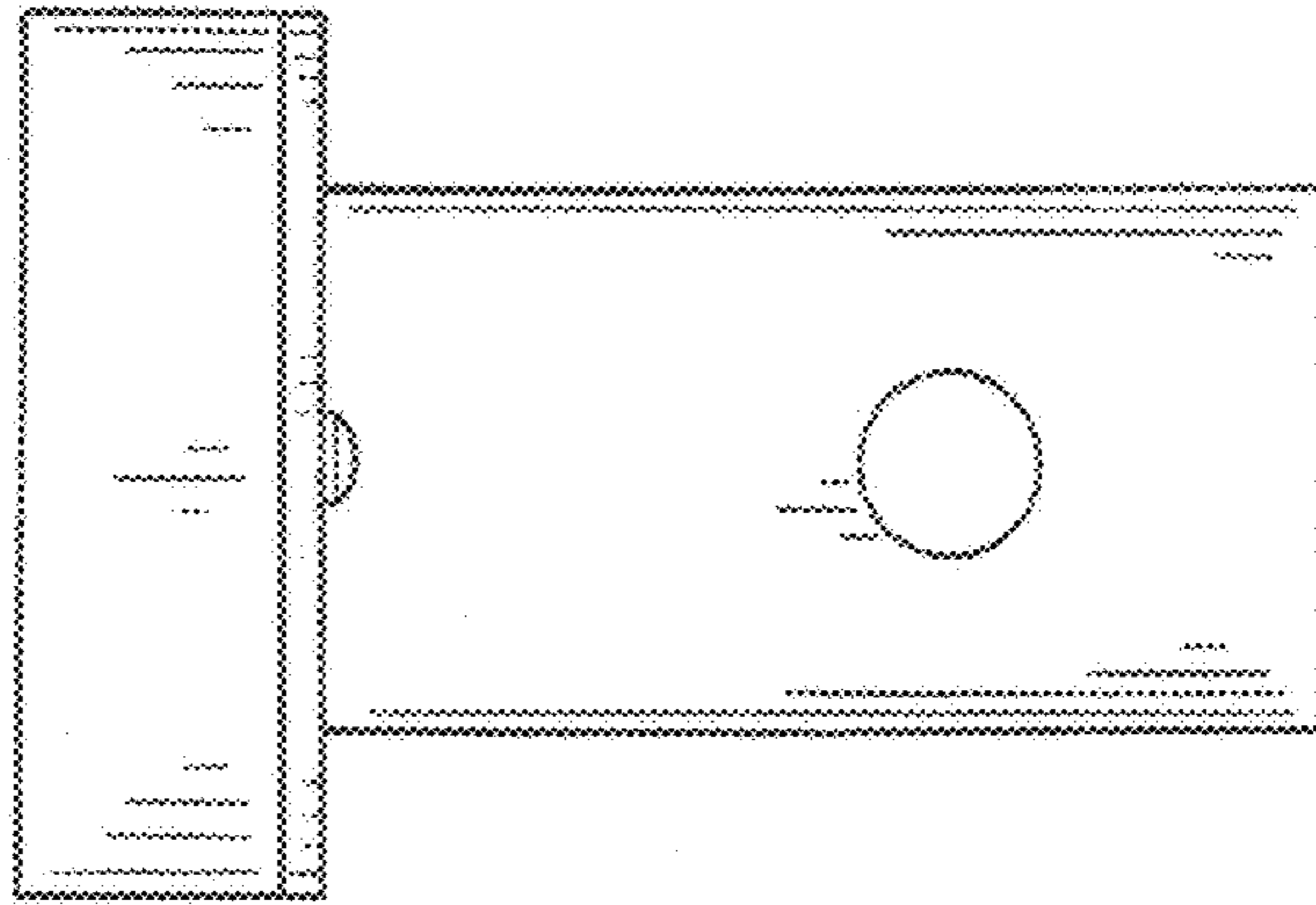


FIG. 3

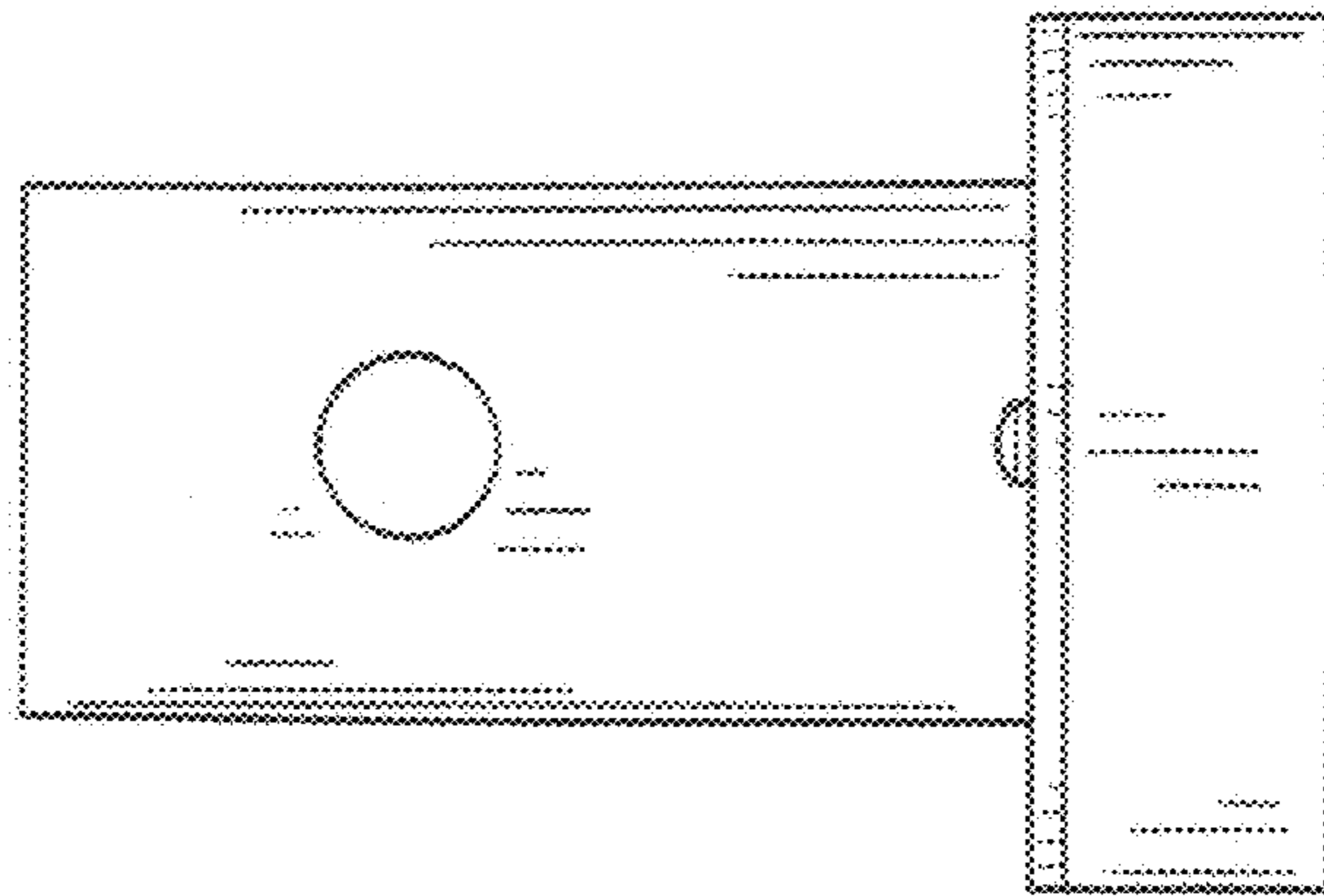


FIG. 4

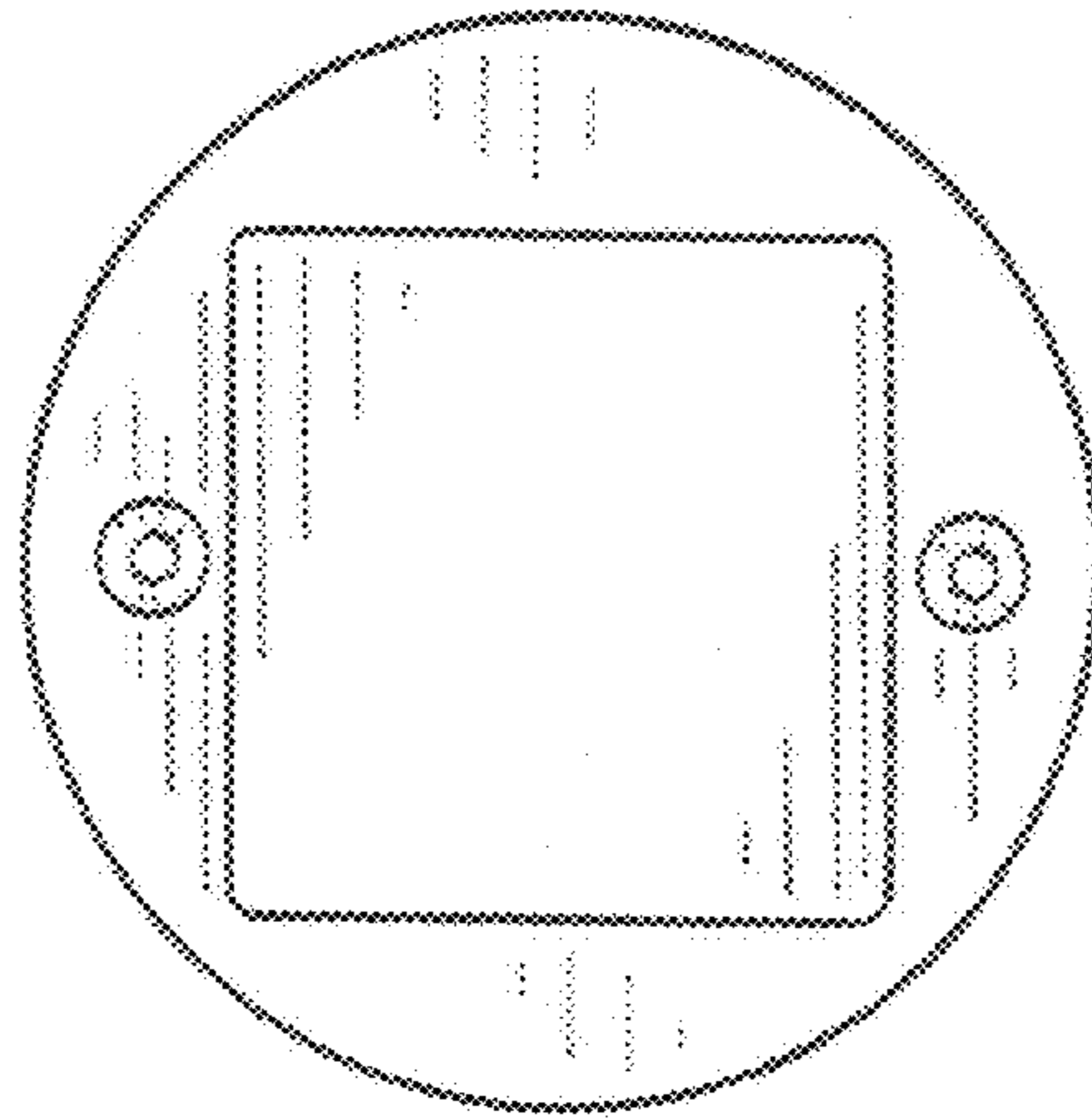


FIG. 5

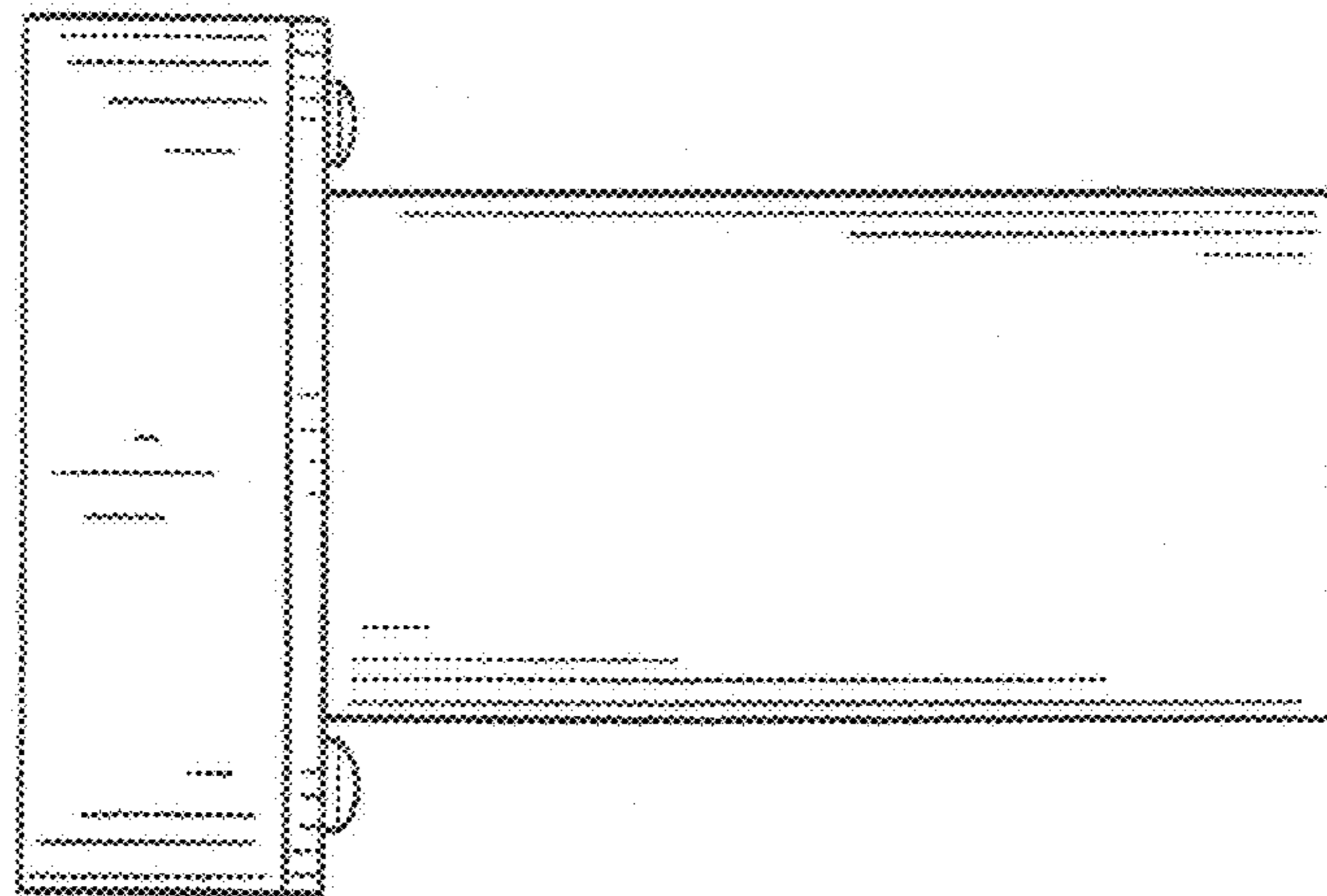


FIG. 6

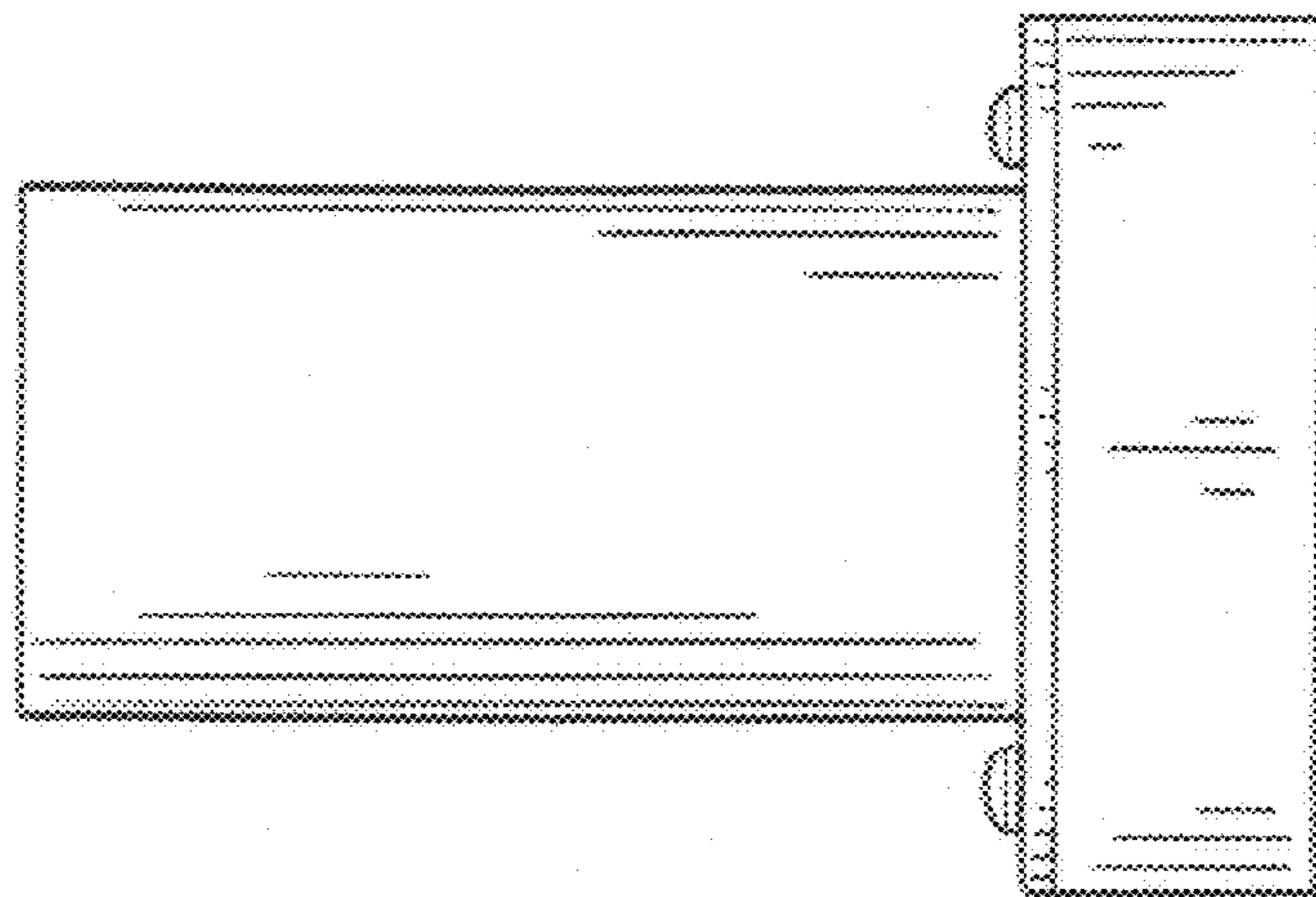


FIG. 7