



US00D688978S

(12) **United States Design Patent**
Badstuebner

(10) **Patent No.:** **US D688,978 S**
(45) **Date of Patent:** **** Sep. 3, 2013**

(54) **MOTOR VEHICLE, TOY REPLICA AND/OR OTHER REPLICAS**

(75) Inventor: **Achim Badstuebner**, Munich (DE)

(73) Assignee: **Audi AG**, Ingolstadt (DE)

(**) Term: **14 Years**

(21) Appl. No.: **29/395,661**

(22) Filed: **Mar. 7, 2012**

(30) **Foreign Application Priority Data**

Sep. 7, 2011 (EM) 001913427-0001

(51) **LOC (9) Cl.** **12-08**

(52) **U.S. Cl.**
USPC **D12/91**

(58) **Field of Classification Search**
USPC D12/86, 90-92, 88; D21/424, 433,
D21/434; 296/181.1, 181.5
See application file for complete search history.

(56) **References Cited**

U.S. PATENT DOCUMENTS

D588,048 S * 3/2009 Wang et al. D12/91
D592,103 S * 5/2009 Lo D12/91
D594,384 S * 6/2009 Ward D12/92
D604,670 S * 11/2009 Nagura et al. D12/91

D608,690 S * 1/2010 Folden et al. D12/91
D608,691 S * 1/2010 Zak et al. D12/91
D609,608 S * 2/2010 Boniface et al. D12/92
D636,706 S * 4/2011 Ward D12/92
D673,483 S * 1/2013 Yamada et al. D12/91
D678,821 S * 3/2013 Ikeda et al. D12/91

* cited by examiner

Primary Examiner — Melody Brown

(74) *Attorney, Agent, or Firm* — Abelman, Frayne & Schwab

(57) **CLAIM**

The ornamental design for a motor vehicle, toy replica and/or other replicas, as shown and described.

DESCRIPTION

FIG. 1 is a front and right side perspective view of the motor vehicle, toy replica and/or other replicas showing my new design;

FIG. 2 is a right side elevational view of FIG. 1;

FIG. 3 is a left side view of FIG. 1;

FIG. 4 is a top plan view of FIG. 1;

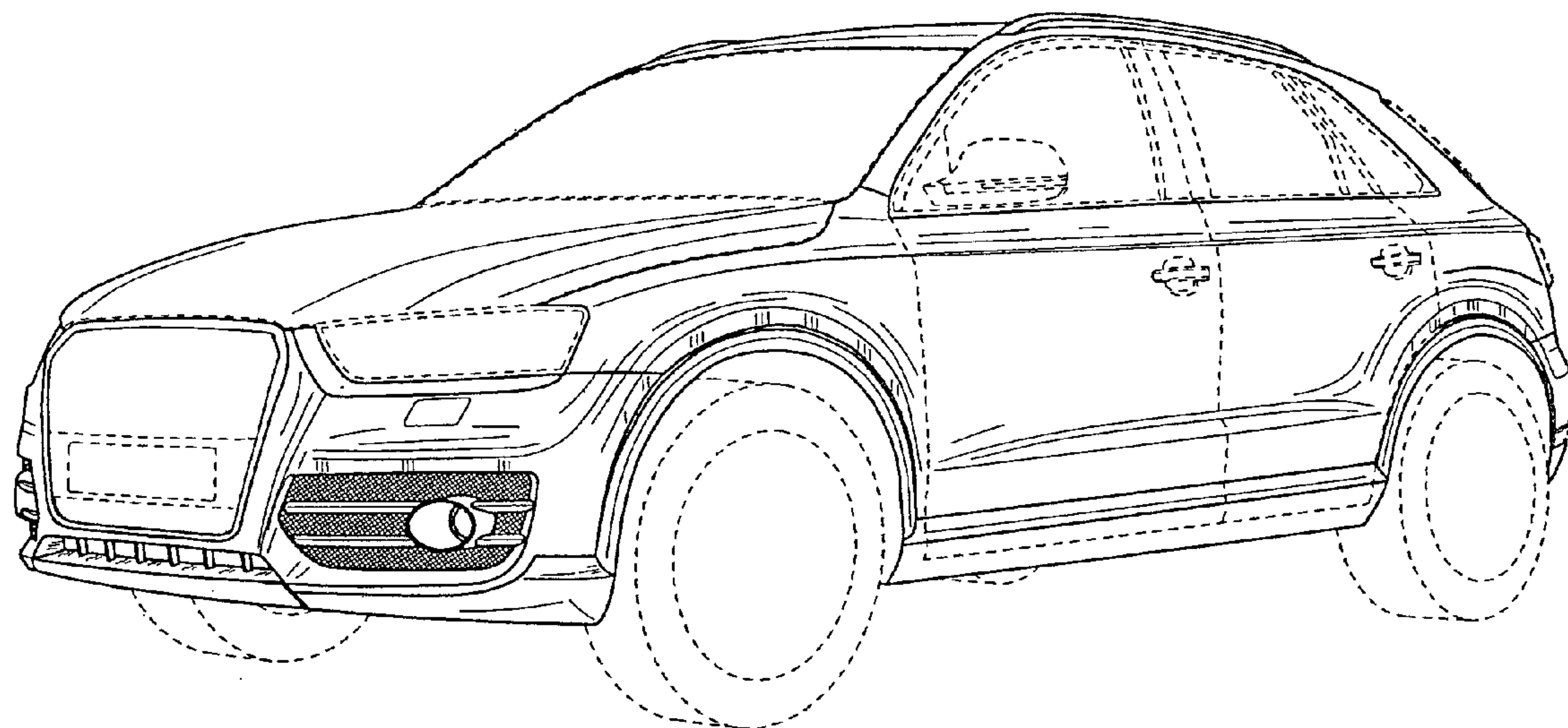
FIG. 5 is a rear elevational view of FIG. 1; and,

FIG. 6 is a front elevational view of FIG. 1.

The broken lines surrounding the front and rear viewing areas represent unclaimed boundaries.

All other broken lines are for illustrative purposes and form no part of the claimed design.

1 Claim, 6 Drawing Sheets



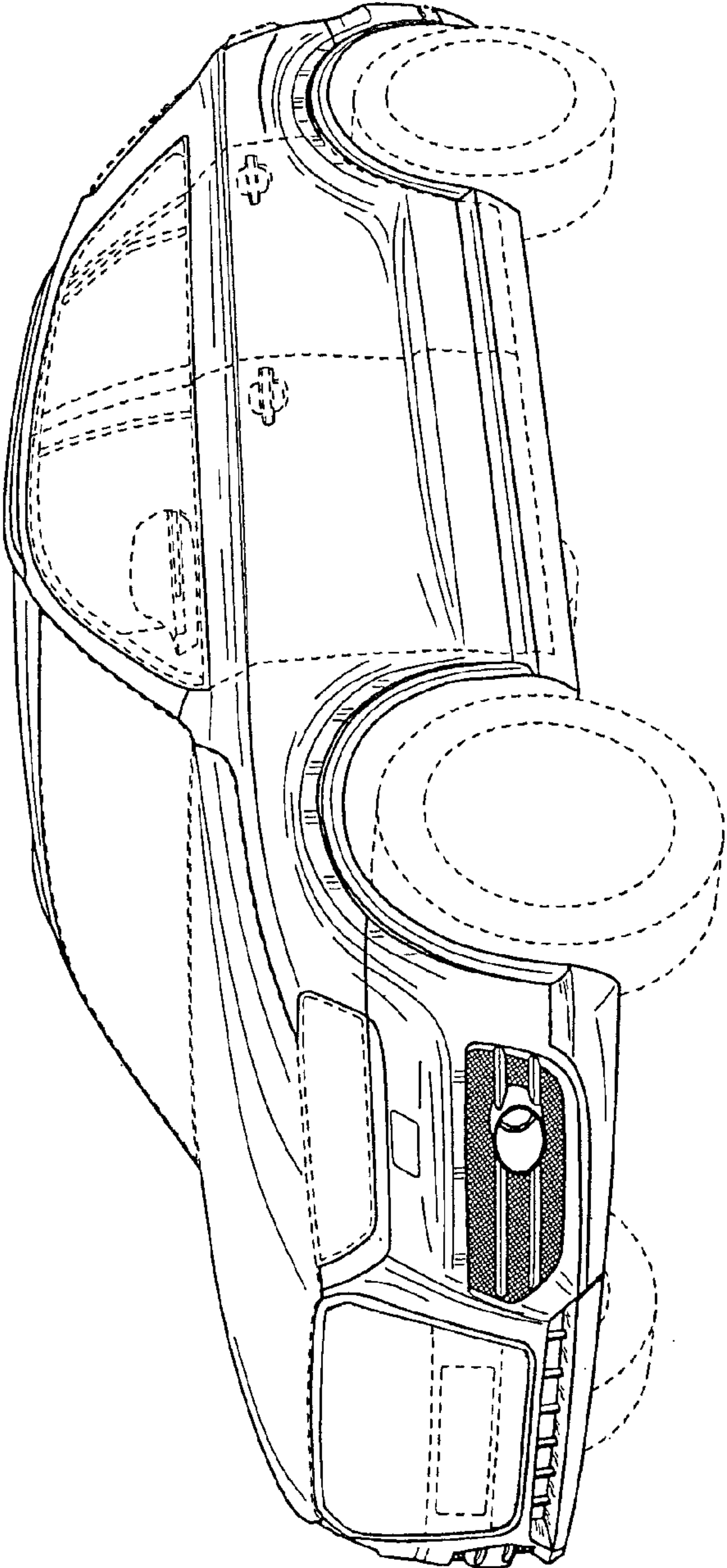


FIG. 1

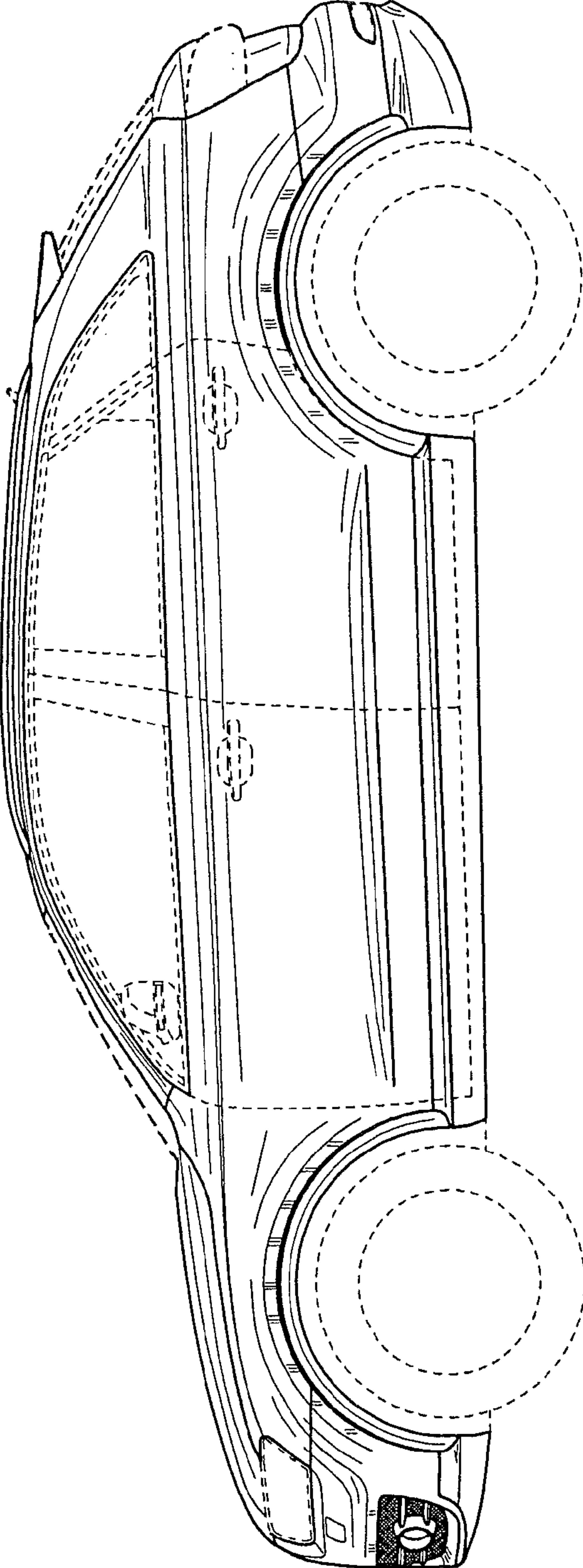


FIG. 2

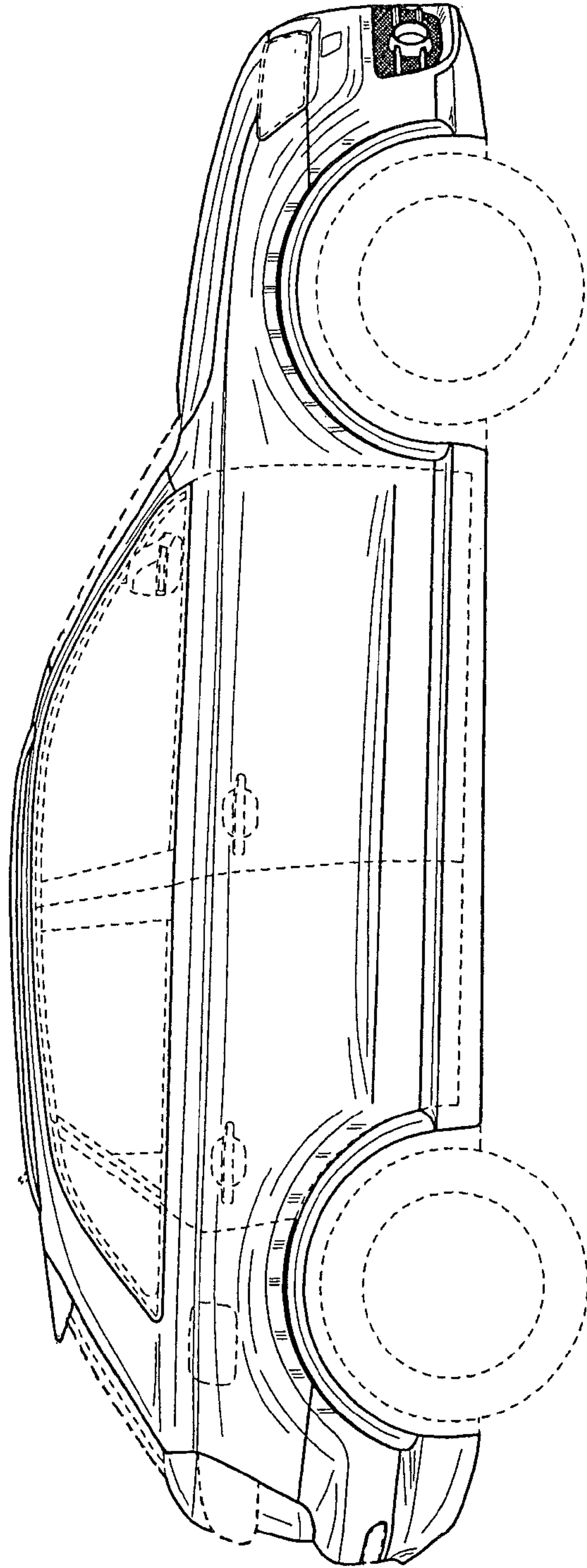


FIG. 3

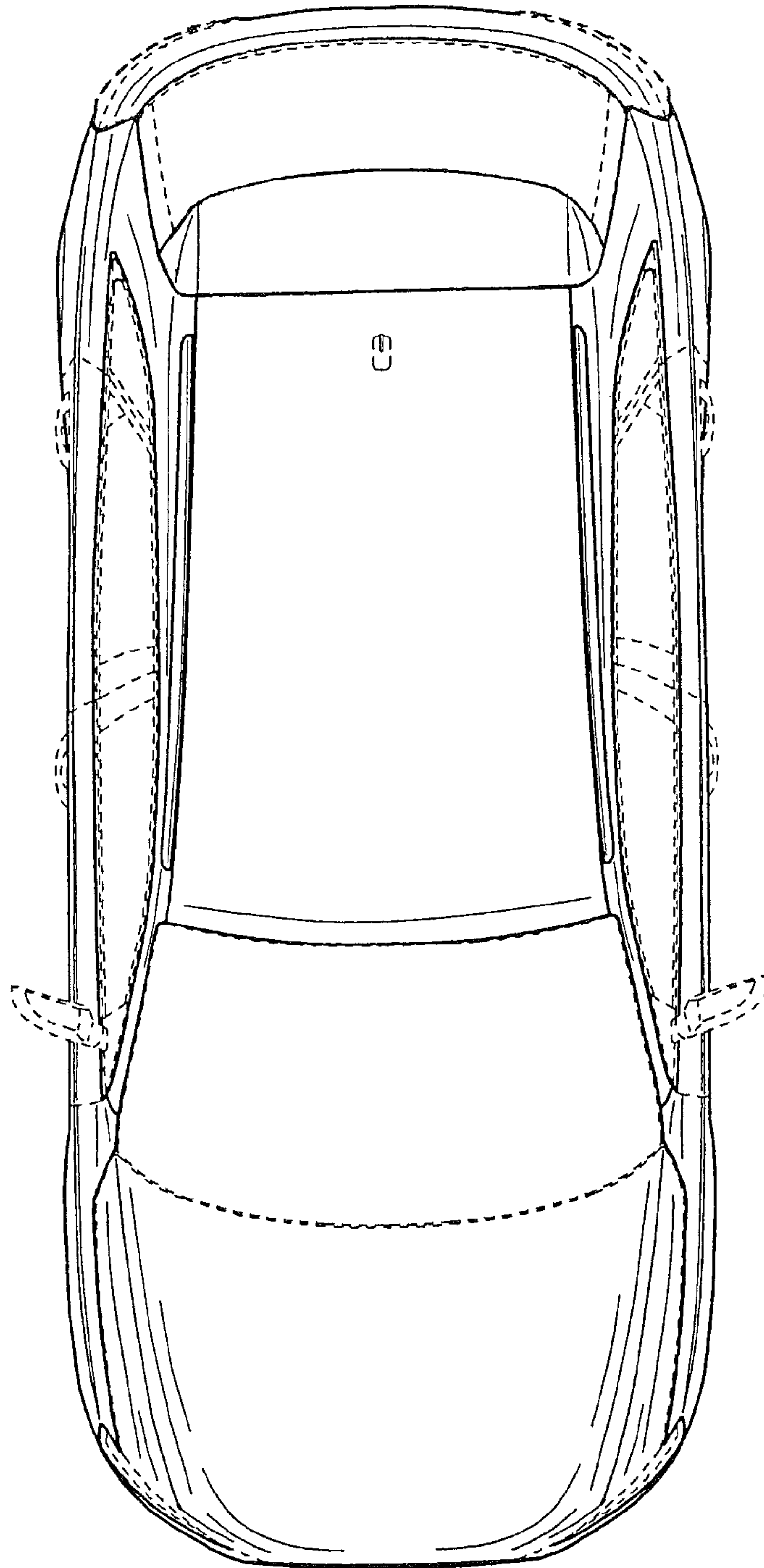


FIG. 4

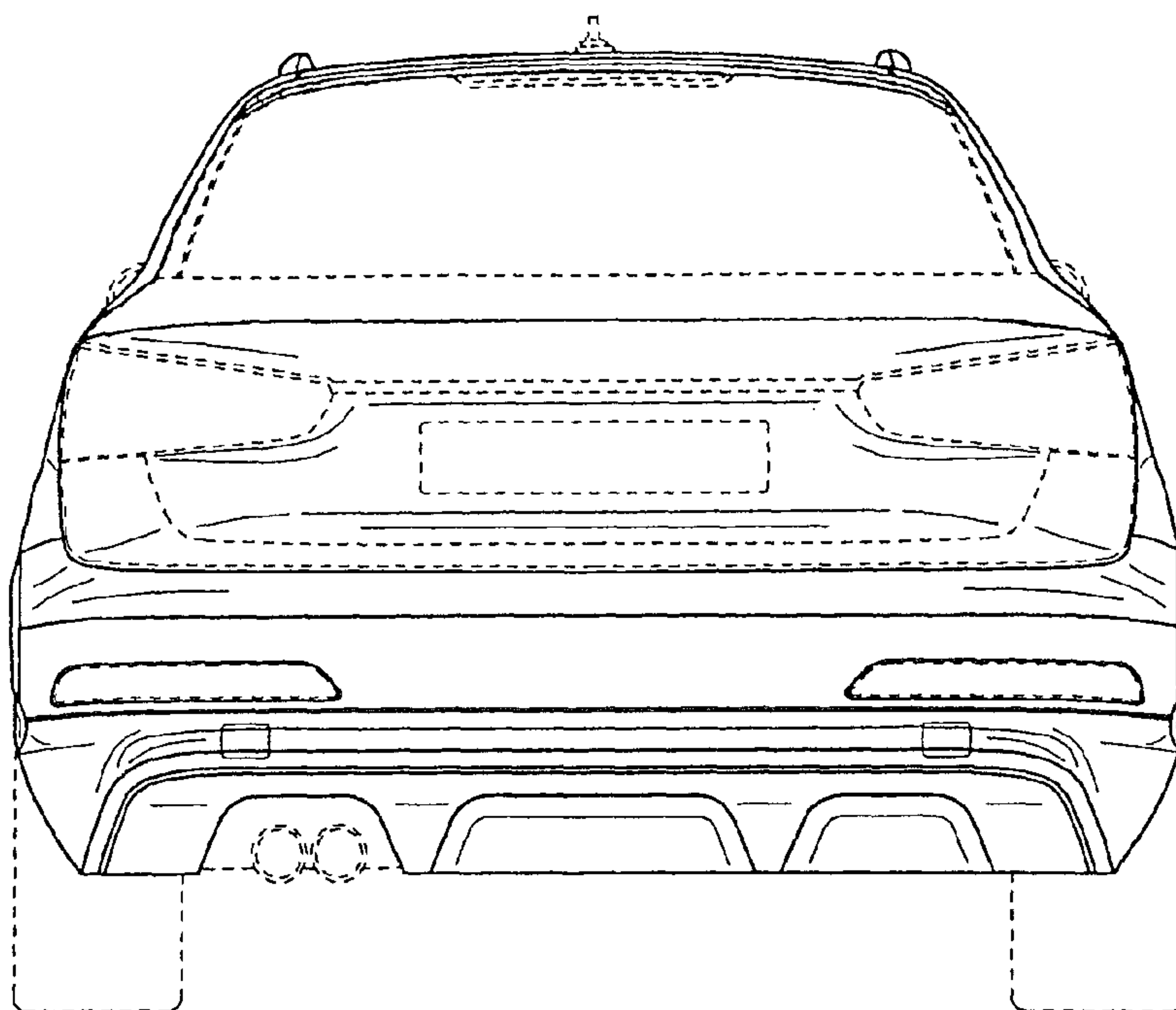


FIG. 5

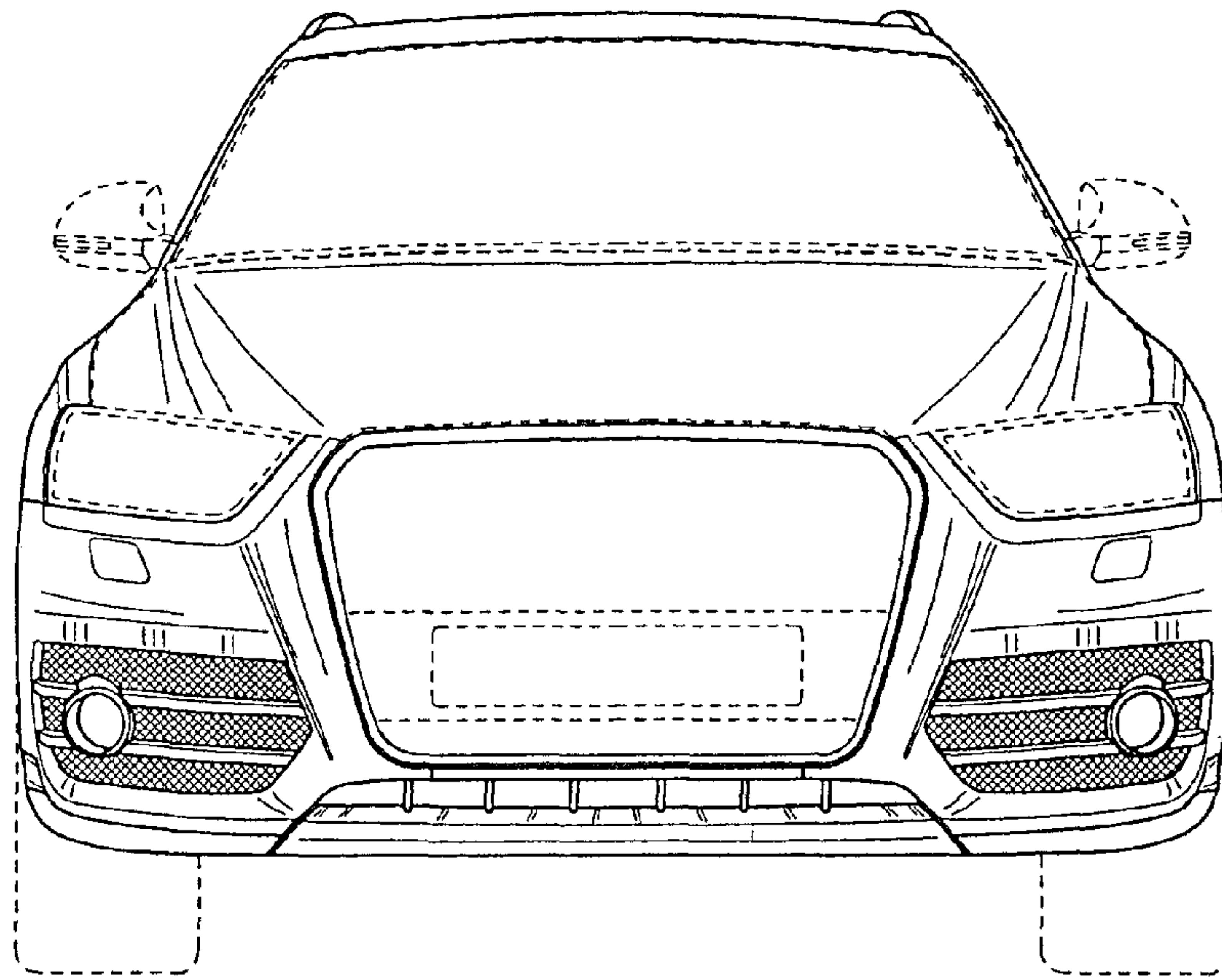


FIG. 6